



US00D772559S

(12) **United States Design Patent** (10) **Patent No.:** **US D772,559 S**
Binder et al. (45) **Date of Patent:** **** Nov. 29, 2016**

(54) **PACKAGING FOR A WOUND THERAPY SYSTEM**

FOREIGN PATENT DOCUMENTS

(71) Applicant: **Smith & Nephew PLC**, London (GB)

FR 1 163 907 10/1958

(72) Inventors: **Ian Binder**, Chippenham (GB); **John Cowan-Hughes**, Bristol (GB); **Beverley Love**, Hessle (GB); **Mark Russell**, Hull (GB); **Peter Sleight**, Cottingham (GB); **Philip Walsh**, Bristol (GB)

OTHER PUBLICATIONS

Packaging for Pico Single Use Negative Pressure Wound Therapy System (2012) in 1 page.

(Continued)

(73) Assignee: **Smith & Nephew PLC**, London (GB)

Primary Examiner — Ian Simmons

Assistant Examiner — Keith Frank

(**) Term: **15 Years**

(74) *Attorney, Agent, or Firm* — Knobbe Martens Olson & Bear LLP

(21) Appl. No.: **29/563,987**

(57) **CLAIM**

The ornamental design for packaging for a wound therapy system, as shown and described.

(22) Filed: **May 10, 2016**

DESCRIPTION

Related U.S. Application Data

(63) Continuation of application No. 29/492,878, filed on Jun. 3, 2014, now Pat. No. Des. 758,851.

FIG. 1 is a top, front and left side perspective view of the packaging for a wound therapy system showing my new design;

(51) **LOC (10) Cl.** **03-01**

(52) **U.S. Cl.**
USPC **D3/203.6**; D9/432

FIG. 2 is a front elevation view thereof;

FIG. 3 is a rear elevation view thereof;

(58) **Field of Classification Search**

USPC D9/414, 420-423, 432, 456, 721;
229/103.2; 220/4.26; 206/321, 322,
206/449, 450, 472, 473; D3/203.1, 203.6,
D3/203.7, 203.8

FIG. 4 is a right side elevation view thereof;

FIG. 5 is a left side elevation view thereof;

FIG. 6 is a top plan view thereof

FIG. 7 is a bottom plan view thereof;

FIG. 8 is a top, front and left side perspective view of the packaging for a wound therapy system in a partially open configuration;

CPC B65D 85/48; B65D 5/0245; B65D 77/0433;
B65D 85/46

See application file for complete search history.

FIG. 9 is a front elevation view of a packaging for a wound therapy system in a fully open configuration;

FIG. 10 is a rear elevation view thereof;

FIG. 11 is a right side elevation view thereof;

FIG. 12 is a left side elevation view thereof;

FIG. 13 is a top plan view thereof; and,

FIG. 14 is a bottom plan view thereof.

The broken lines in the drawings depict unclaimed subject matter and form no part of the claimed design.

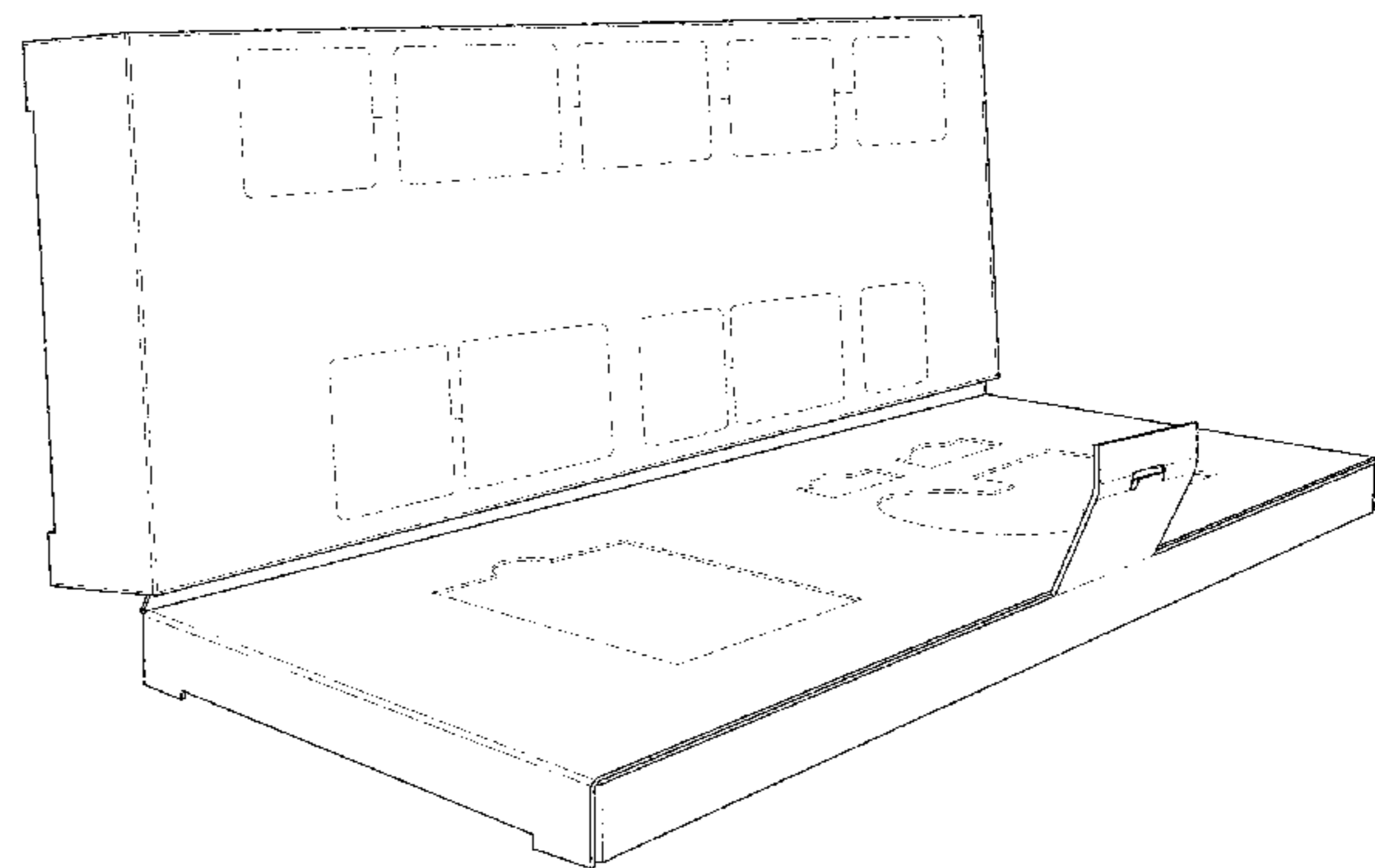
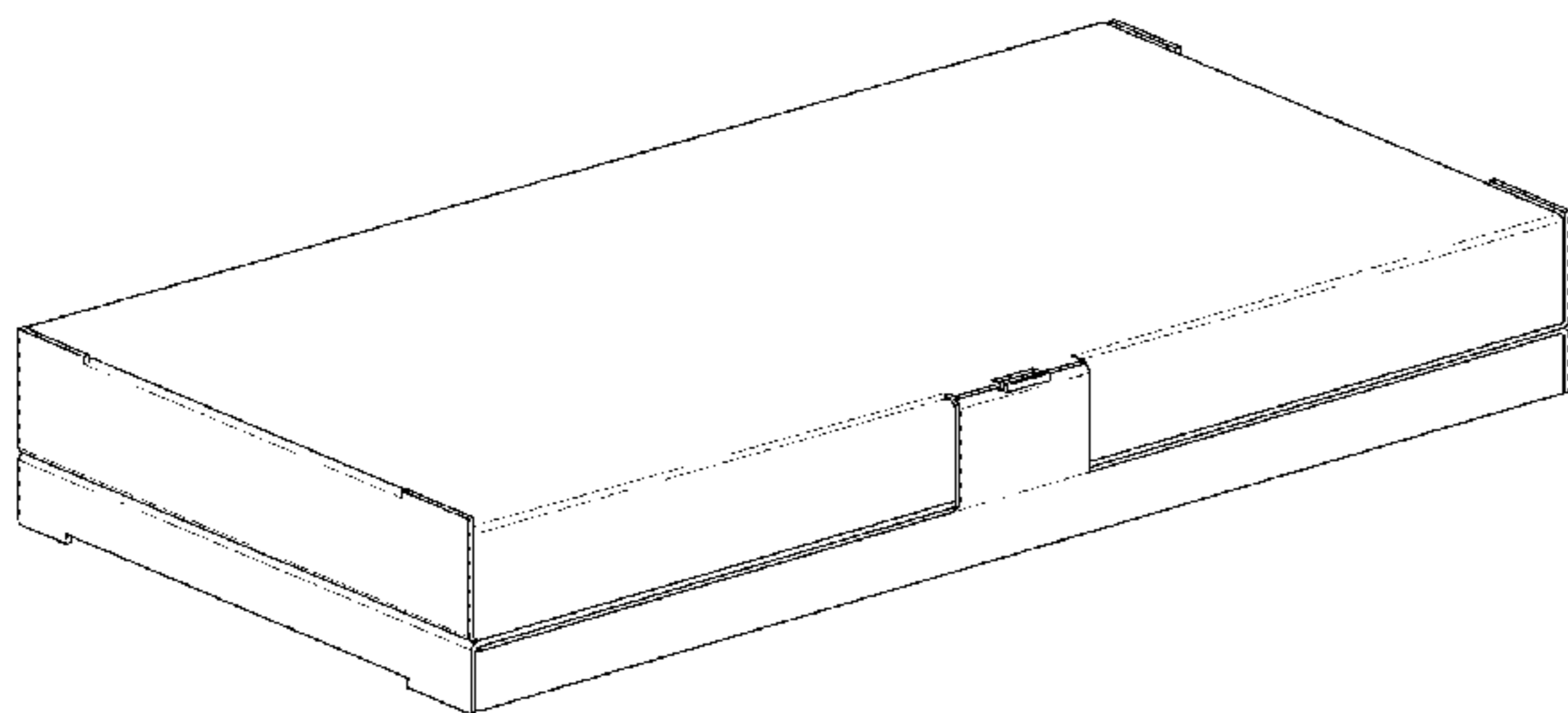
(56) **References Cited**

U.S. PATENT DOCUMENTS

D134,249 S * 11/1942 Button 206/564
2,874,707 A * 2/1959 Koppel A45D 29/20
132/315

(Continued)

1 Claim, 13 Drawing Sheets



(56)

References Cited

U.S. PATENT DOCUMENTS

3,640,379 A * 2/1972 Weingarden G11B 23/0236
206/387.13

3,972,328 A 8/1976 Chen
D254,219 S * 2/1980 Papciak D3/203.7
D267,834 S * 2/1983 Yew D3/203.7
D268,098 S * 3/1983 Brown D9/418
D275,425 S * 9/1984 Briggs D28/78
D281,836 S * 12/1985 Sparkman D3/203.7
D289,461 S * 4/1987 Humphries 30/1
4,977,483 A * 12/1990 Perretta H05K 9/0067
206/232

D313,505 S * 1/1991 Leopoldi D3/203.8
D316,181 S 4/1991 Clifton
D320,308 S * 10/1991 Whitworth D3/203.7
D327,363 S * 6/1992 Farb D19/75
5,238,732 A 8/1993 Krishnan
D339,287 S 9/1993 Levin
5,344,024 A * 9/1994 Cohu A45C 5/03
206/526

D365,754 S 1/1996 Plassier
5,549,584 A 8/1996 Gross
D389,639 S * 1/1998 Priebe D3/203.8
D393,591 S * 4/1998 Baryshyan D9/753
5,759,570 A 6/1998 Arnold
D396,750 S * 8/1998 Slater D3/284
D397,869 S * 9/1998 Minhas D3/274
D398,527 S 9/1998 Maceachern et al.
D420,586 S 2/2000 Maceachern et al.
6,626,891 B2 9/2003 Ohmstede
7,361,184 B2 4/2008 Joshi
7,381,859 B2 6/2008 Hunt et al.
D579,195 S * 10/2008 Kagawa D3/203.1
7,569,742 B2 8/2009 Haggstrom et al.
7,615,036 B2 11/2009 Joshi et al.

D606,394 S 12/2009 Stewart
D607,717 S 1/2010 Hodges
7,699,823 B2 4/2010 Haggstrom et al.
D618,546 S 6/2010 Easterbrook et al.
7,775,998 B2 8/2010 Riesinger
7,811,269 B2 10/2010 Boynton et al.
7,846,141 B2 12/2010 Weston
7,910,791 B2 3/2011 Coffey
7,922,703 B2 4/2011 Riesinger
7,964,766 B2 6/2011 Blott et al.
D645,735 S 9/2011 Clark et al.
D661,188 S 6/2012 Fahy
D661,189 S 6/2012 Fahy
D661,190 S 6/2012 Fahy
D663,944 S * 7/2012 Bouskill D3/203.1
D668,948 S 10/2012 LaTrobe
D687,300 S * 8/2013 Jones D9/456
D708,055 S 7/2014 Elston et al.
D723,792 S * 3/2015 Anderson D3/201
D730,728 S * 6/2015 Fath D9/432
9,241,873 B2 * 1/2016 Upchurch A61J 1/035
D750,478 S * 3/2016 Kiss D9/423
D761,023 S * 7/2016 Tramontana D3/203.1
2007/0225663 A1 9/2007 Watt et al.
2008/0306456 A1 12/2008 Riesinger

OTHER PUBLICATIONS

Protz, Kerstin: "Modern Wundauflagen unterstützen Heilungsprozess", Wundversorgung: Indikation und Anwendung, Geriatrie Journal Apr. 2005, pp. 3333-3339.
Smith & Nephew, "PICO packaging reduction", Jun. 2014, <http://www.smith-nephew.com/news-and-media/case-studies/picosntm-packaging-reduction/>.

* cited by examiner

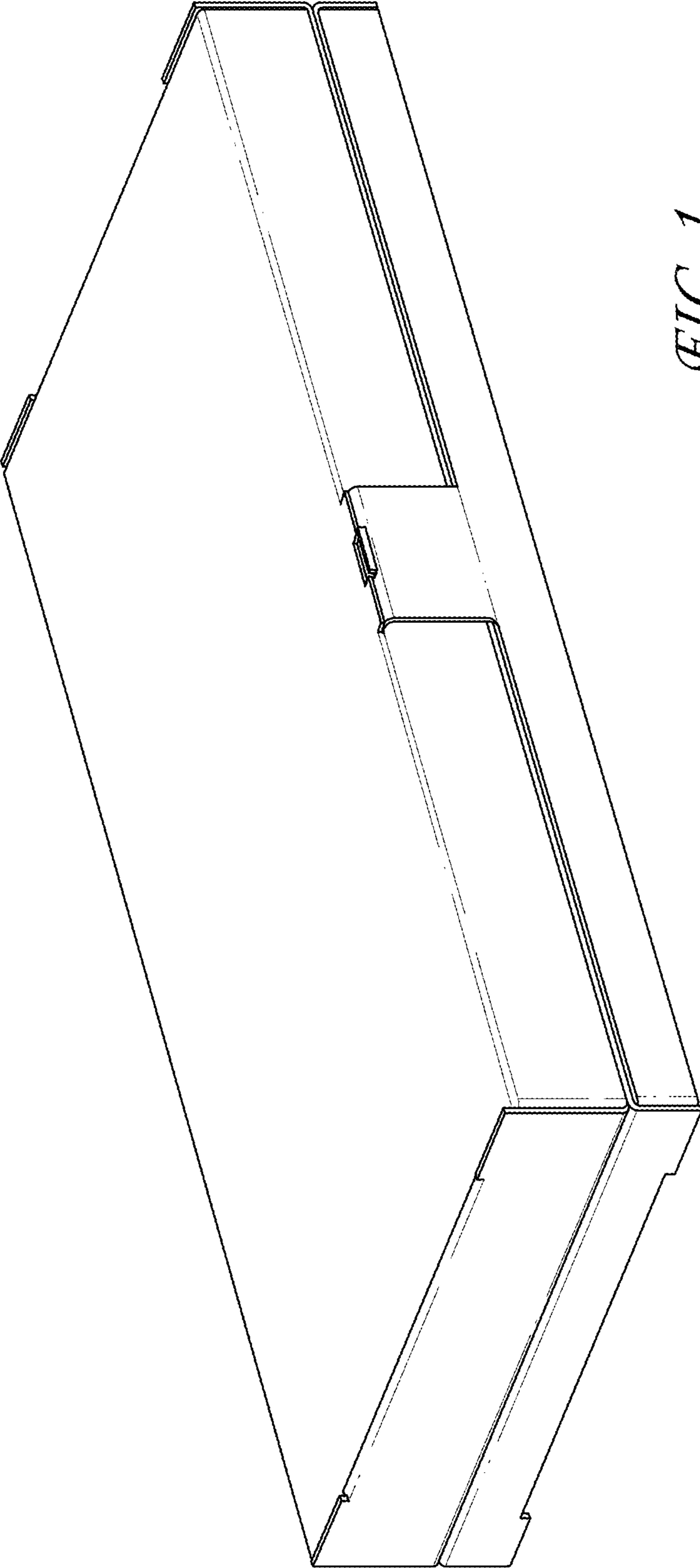


FIG. 1

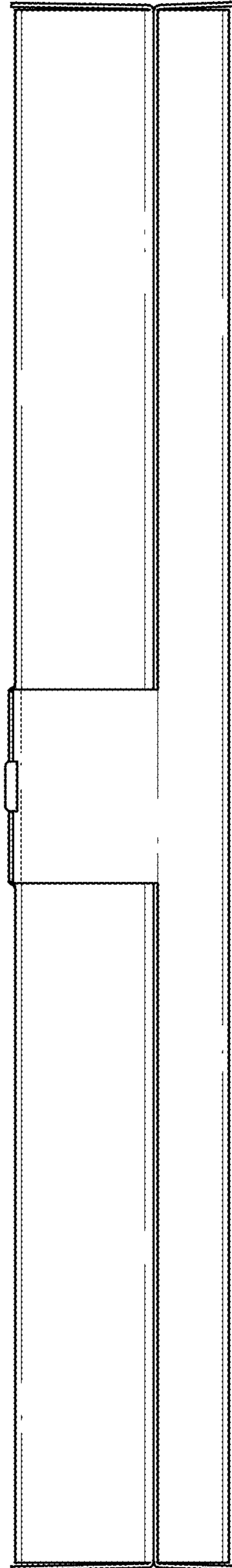


FIG. 2

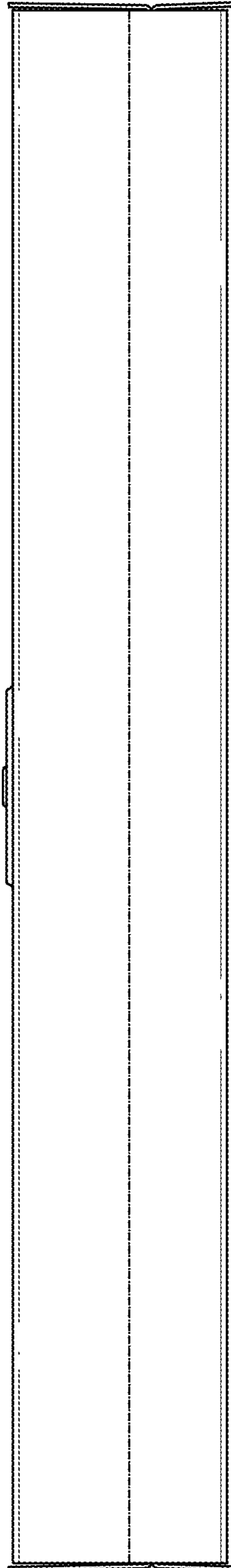


FIG. 3

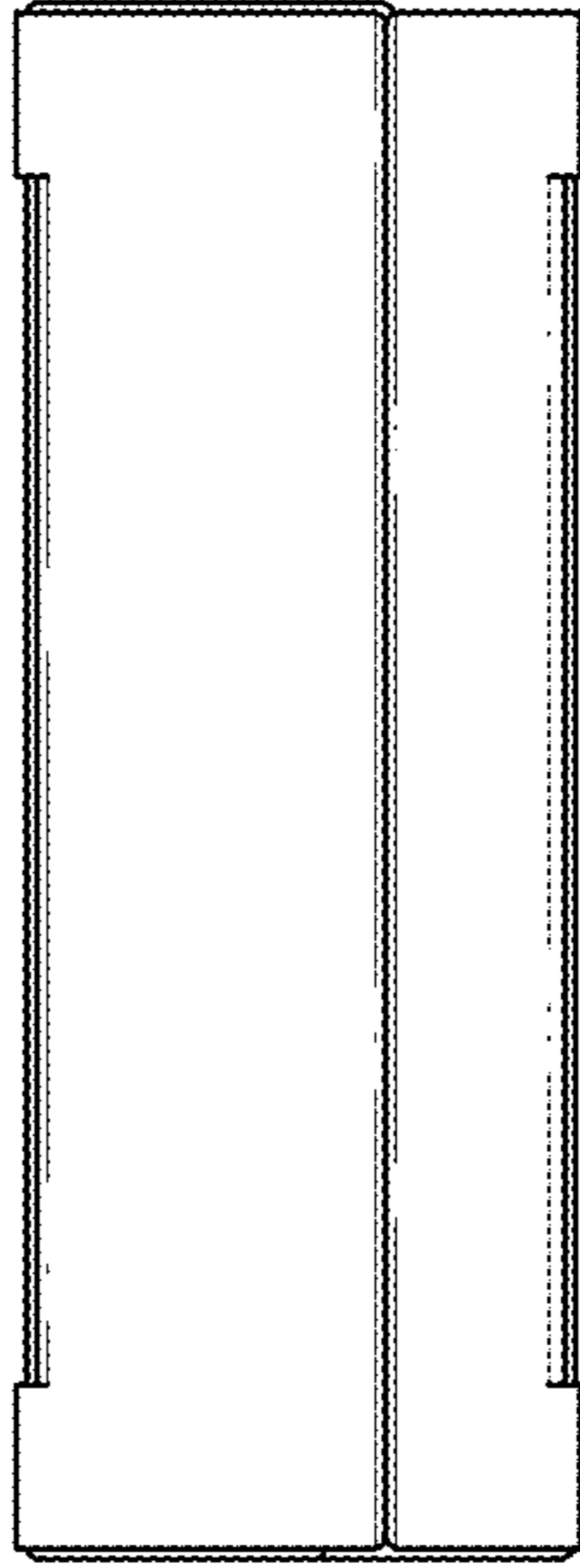


FIG. 5

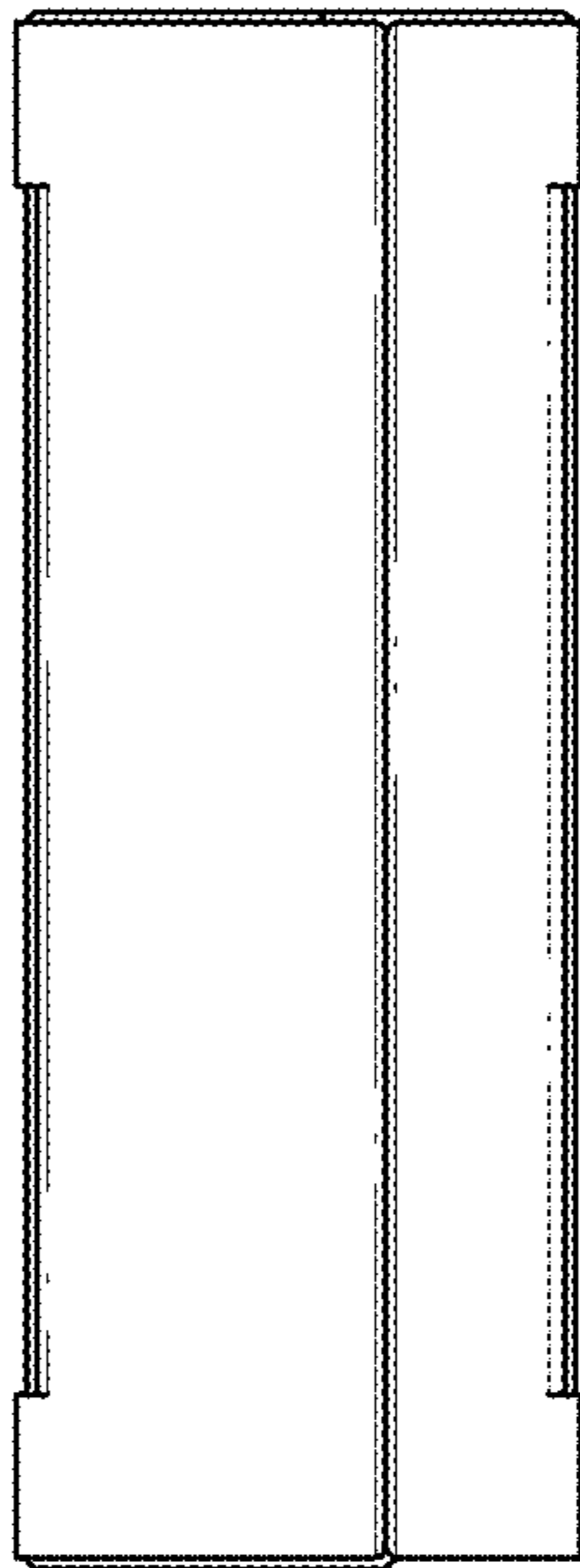


FIG. 4

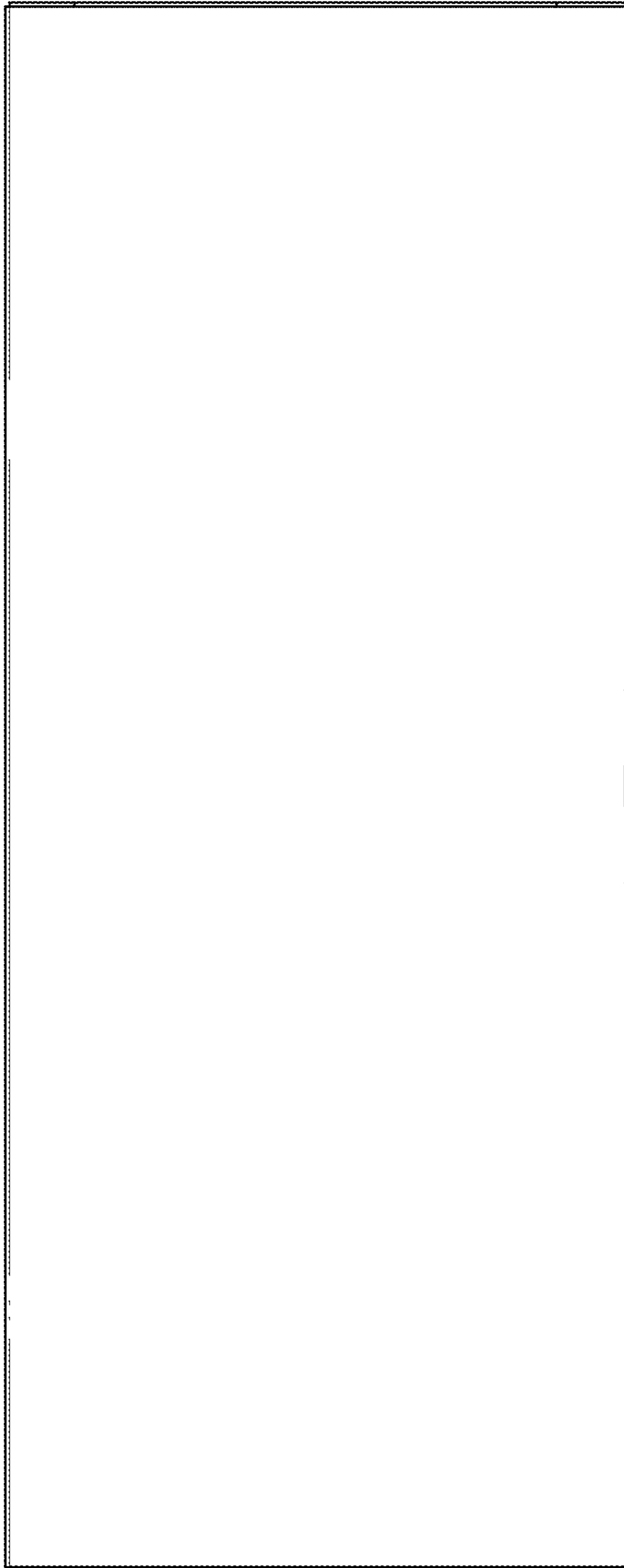


FIG. 6

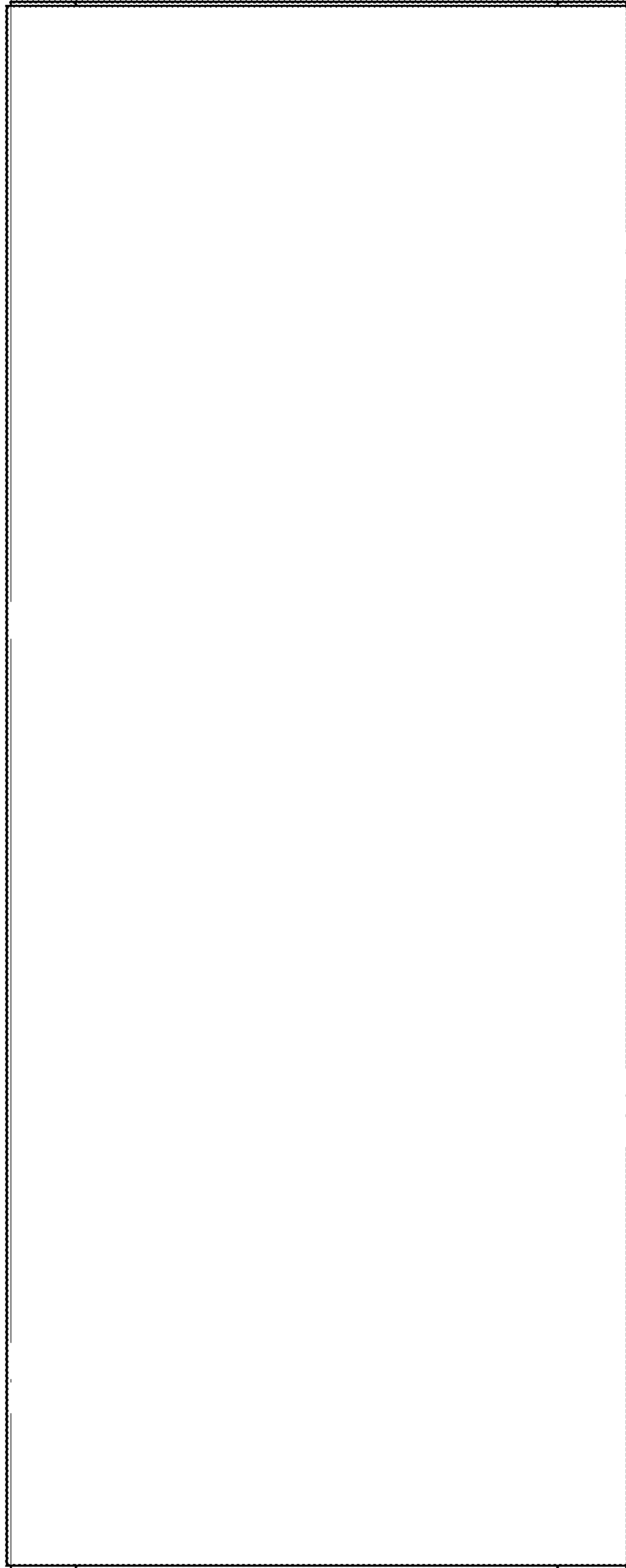


FIG. 7

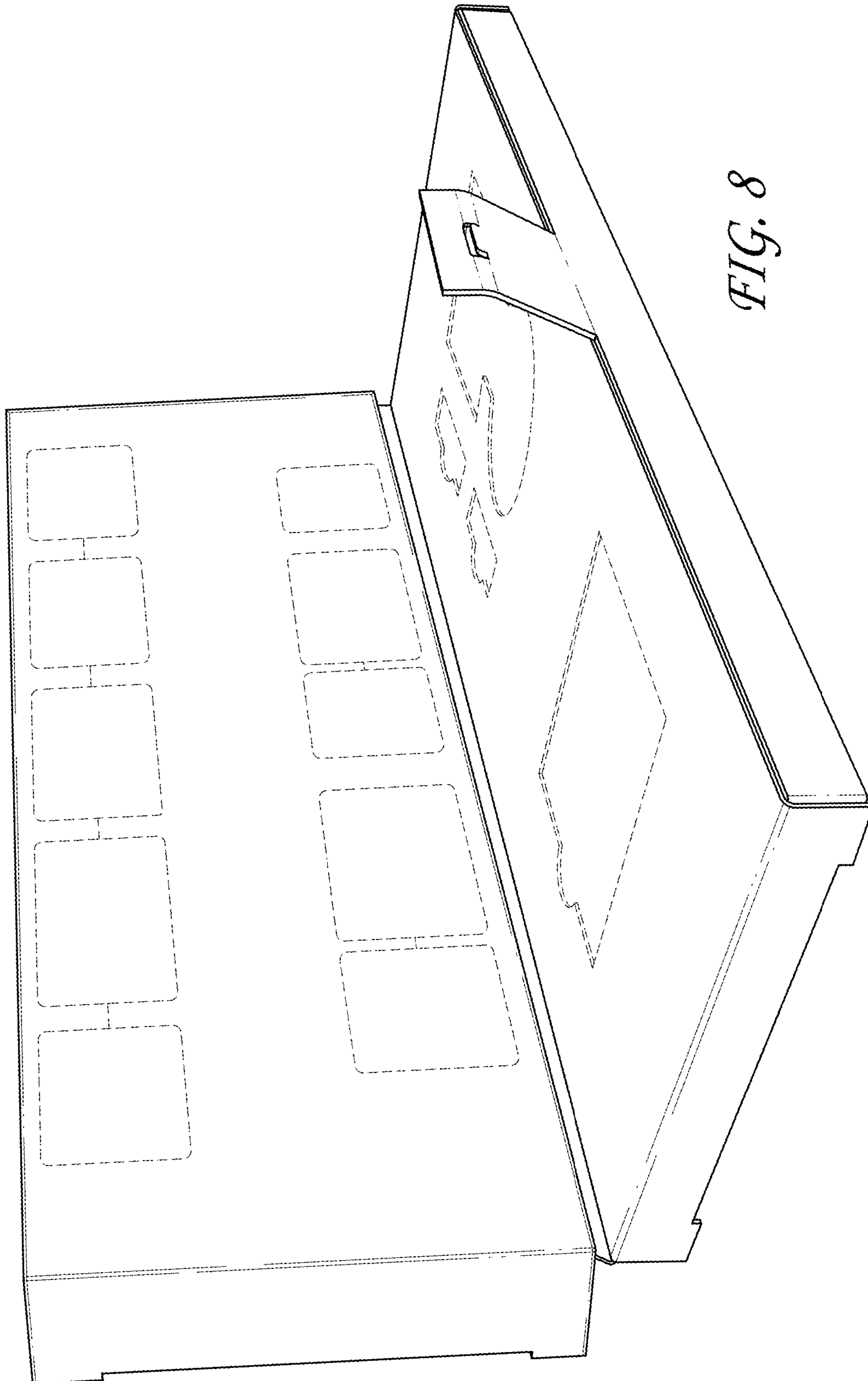


FIG. 8

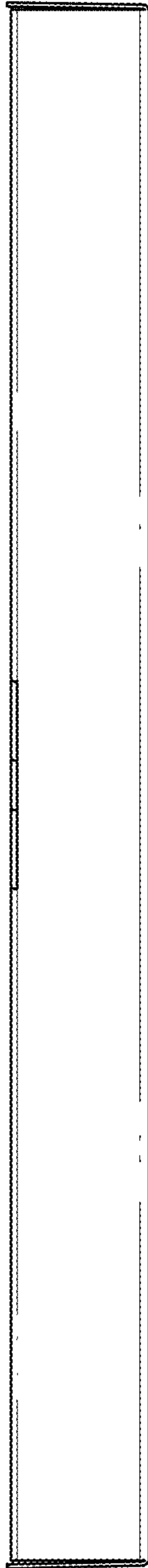


FIG. 9

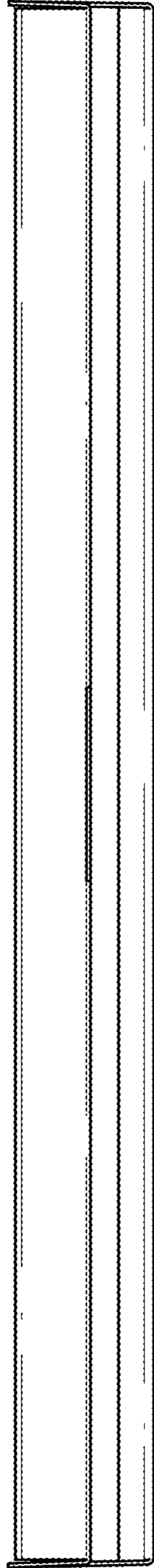


FIG. 10

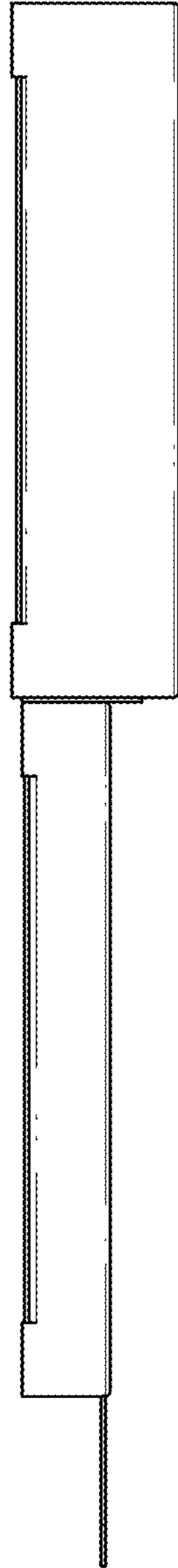


FIG. 11

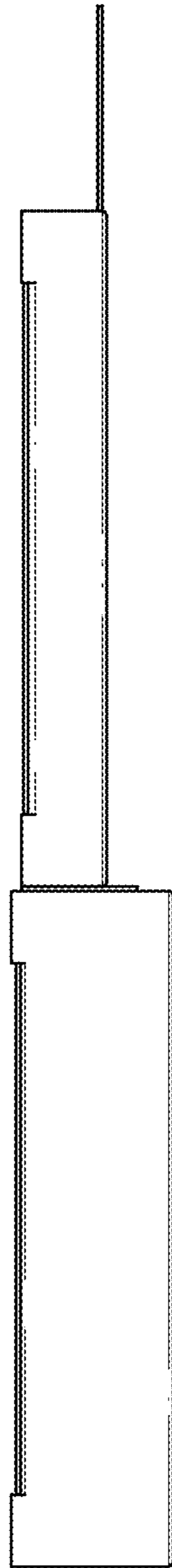


FIG. 12

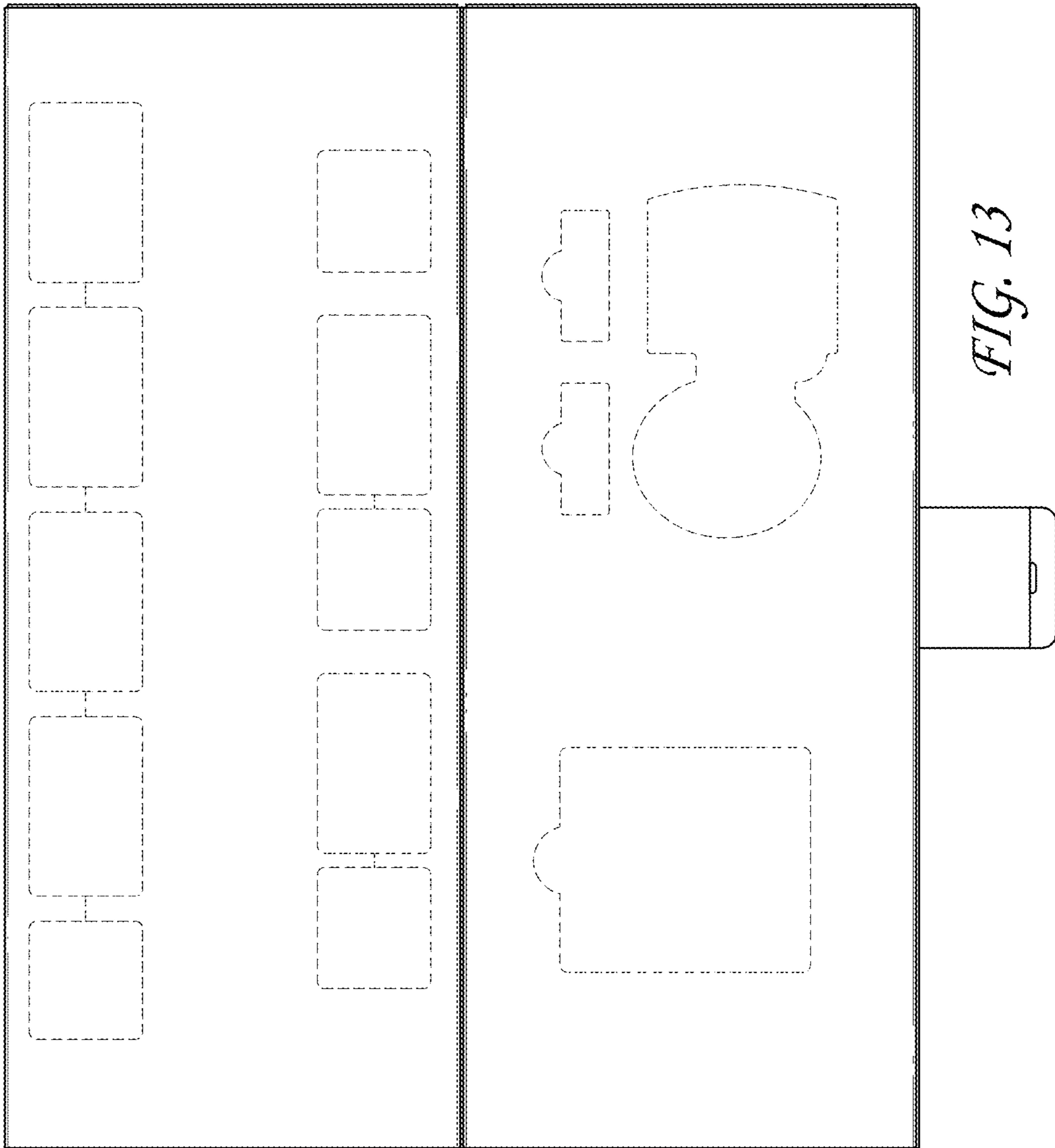


FIG. 14

