



US00D772558S

(12) **United States Design Patent**
Rhodes

(10) **Patent No.:** **US D772,558 S**

(45) **Date of Patent:** **** Nov. 29, 2016**

- (54) **SET OF PANTY HOSE**
- (71) Applicant: **E. Jane Rhodes**, Fredonia, PA (US)
- (72) Inventor: **E. Jane Rhodes**, Fredonia, PA (US)
- (**) Term: **14 Years**
- (21) Appl. No.: **29/520,372**
- (22) Filed: **Mar. 13, 2015**
- (51) **LOC (10) Cl.** **02-04**
- (52) **U.S. Cl.**
USPC **D2/993**
- (58) **Field of Classification Search**
USPC D2/980-994; D24/192; D29/121.2;
D28/56, 57
CPC A43B 7/26; A43B 3/106; A43B 3/105;
A41B 11/14; A41B 11/003; A41B 11/00;
A41B 11/12; A41B 11/143
See application file for complete search history.

3,845,506 A	11/1974	Harris	
3,953,895 A	5/1976	Lowth	
3,965,702 A *	6/1976	Findeisen	D04B 9/54 2/240
4,019,208 A	4/1977	Walser, Jr. et al.	
5,014,364 A	5/1991	Orr	
5,027,441 A *	7/1991	Wilson	A41F 11/00 2/239
5,097,537 A	3/1992	Ewing	
5,713,081 A	2/1998	Pappas et al.	
6,101,635 A *	8/2000	Jones	A41B 11/12 2/239
6,105,175 A	8/2000	Conti et al.	
8,286,268 B2	10/2012	Yamashita et al.	
2006/0189253 A1 *	8/2006	Jones	A41B 11/125 450/1

* cited by examiner

Primary Examiner — George D Kirschbaum
Assistant Examiner — Jennifer Watkins
(74) *Attorney, Agent, or Firm* — Robert C Montgomery;
Montgomery Patent & Design LP

(57) **CLAIM**
The ornamental design for a set of panty hose, as shown and described.

(56) **References Cited**

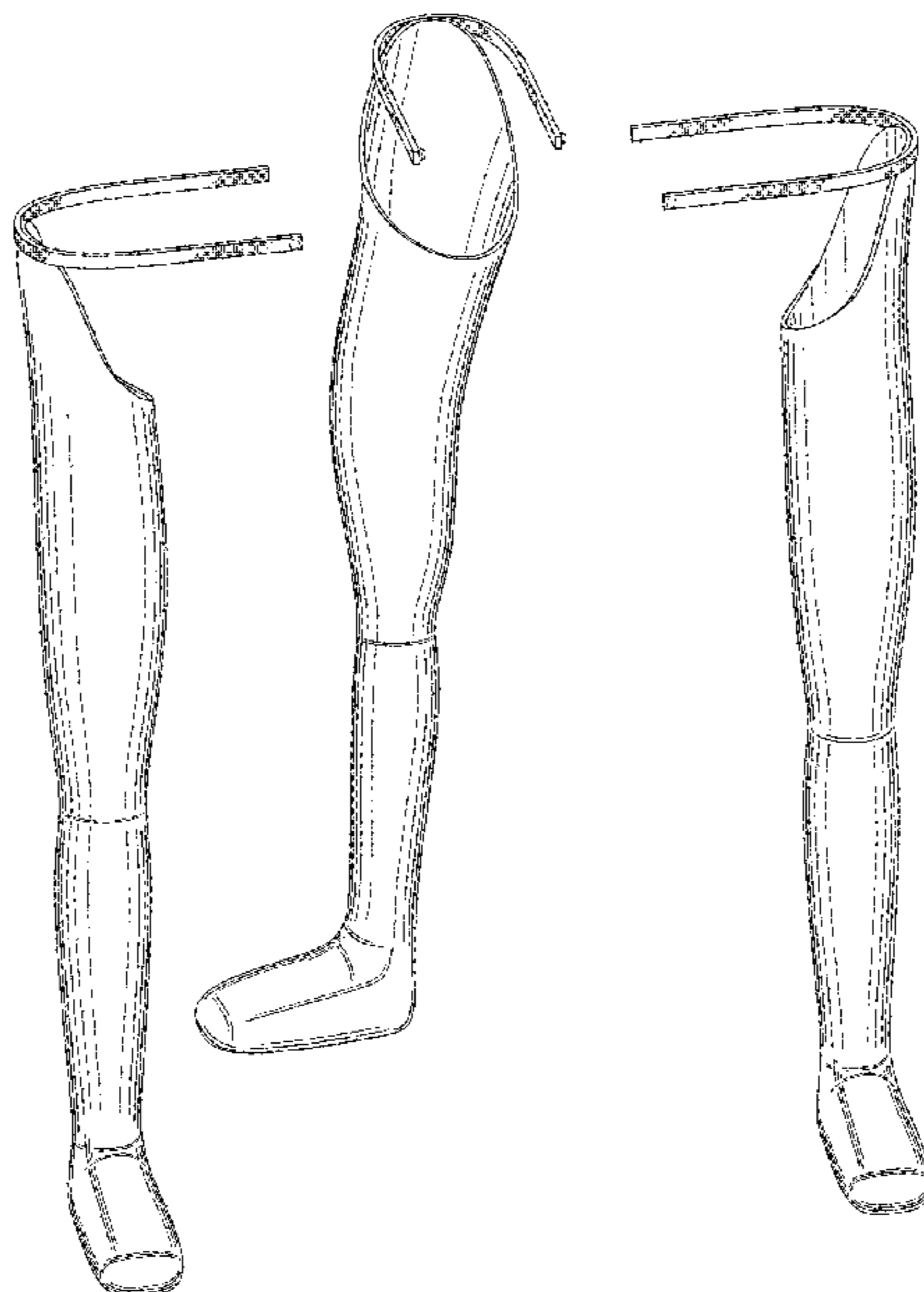
U.S. PATENT DOCUMENTS

1,891,690 A *	12/1932	Rickey	A41B 11/12 2/240
1,920,943 A *	8/1933	Thompson	A41B 11/12 2/240
2,526,663 A *	10/1950	Holland	A41B 11/00 2/239
2,695,507 A *	11/1954	Tew	A41B 11/00 66/1 R
2,771,759 A *	11/1956	Leath	A41B 11/00 66/178 A
3,255,613 A *	6/1966	Burd	A41B 11/12 66/172 R
3,362,029 A	1/1968	Comerma	
3,547,128 A	12/1970	Keltner	
3,777,681 A *	12/1973	Horita	D05B 23/008 112/470.09

DESCRIPTION

FIG. 1 is a perspective front view of a set of panty hose, including a first leg portion, a second leg portion, and a third leg portion, showing my new design; FIG. 2 is a front side view thereof; FIG. 3 is a back side view thereof; FIG. 4 is a left side view thereof; FIG. 5 is a right side view thereof; FIG. 6 is a top side view thereof; and, FIG. 7 is a bottom side view thereof. The dashed lines indicate boundary areas and form no part of the claimed design.

1 Claim, 7 Drawing Sheets



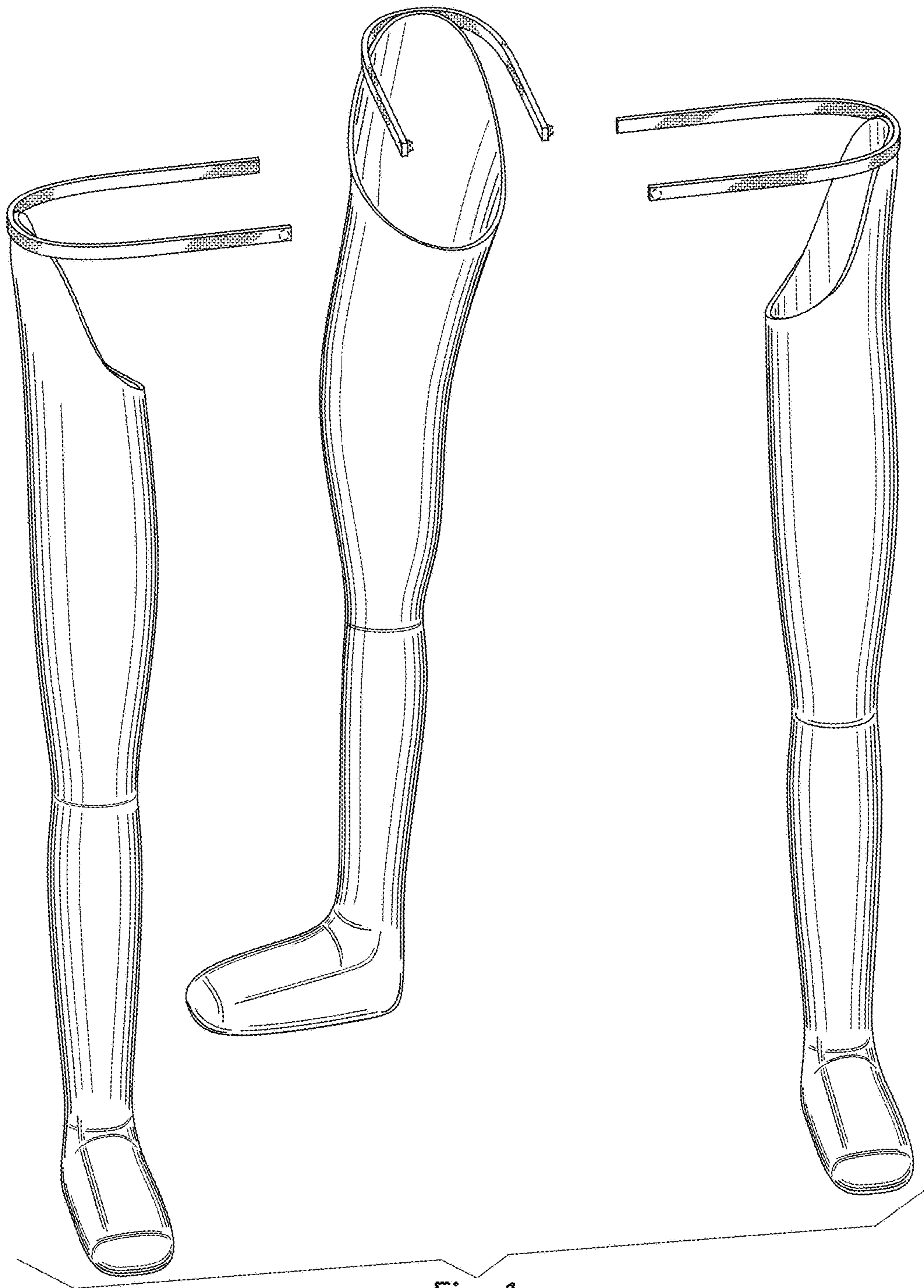


Fig. 1

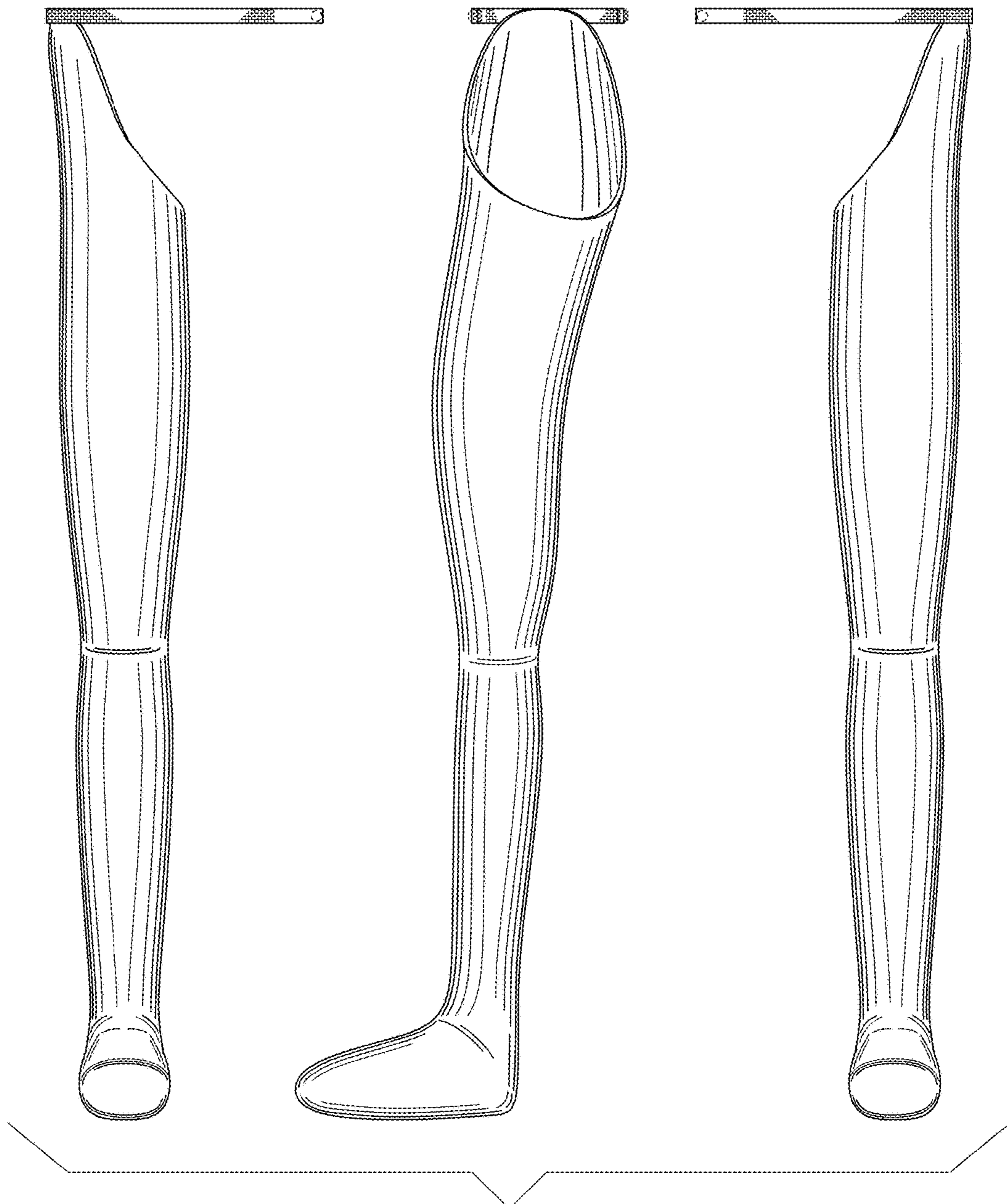


Fig. 2

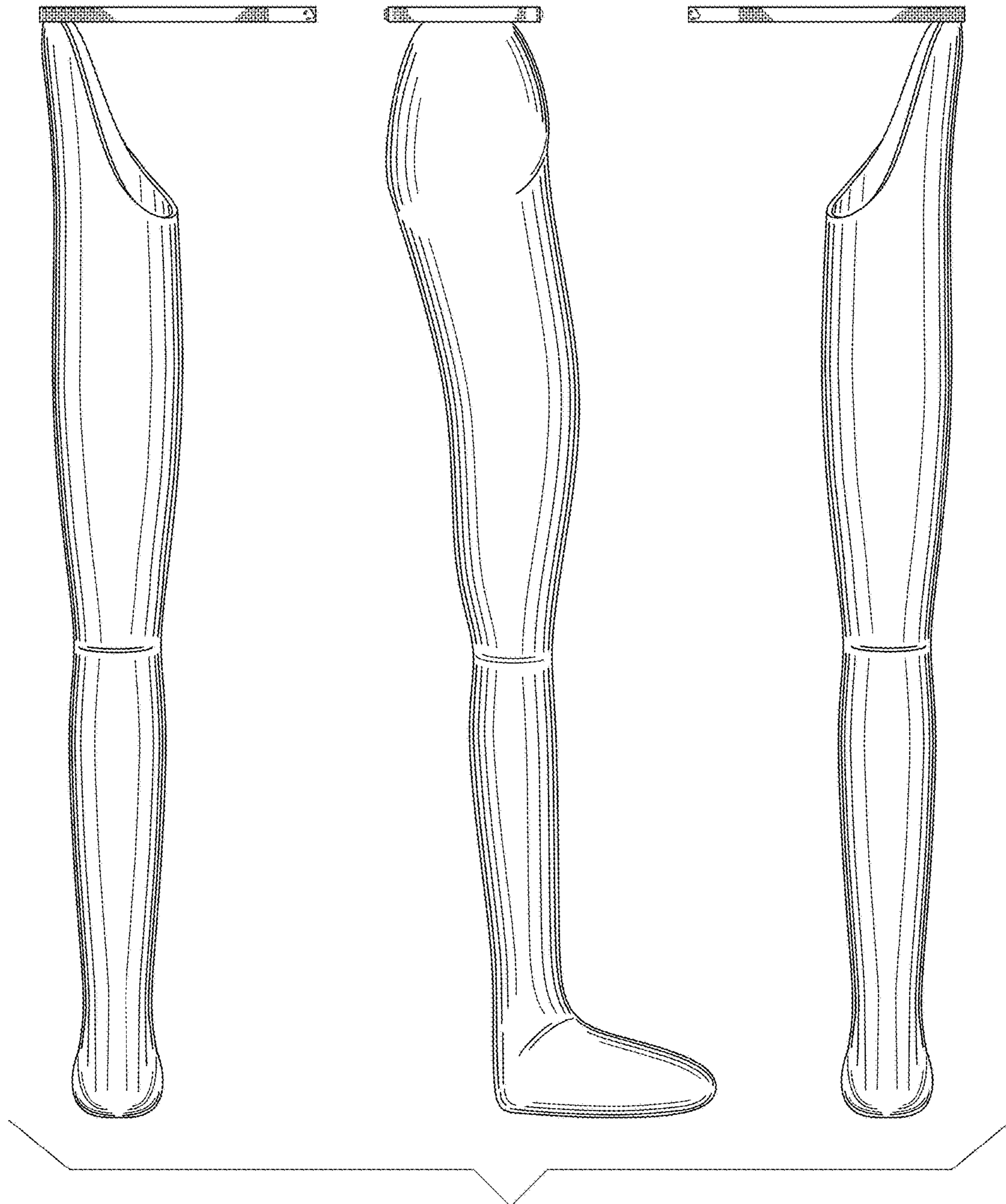


Fig. 3

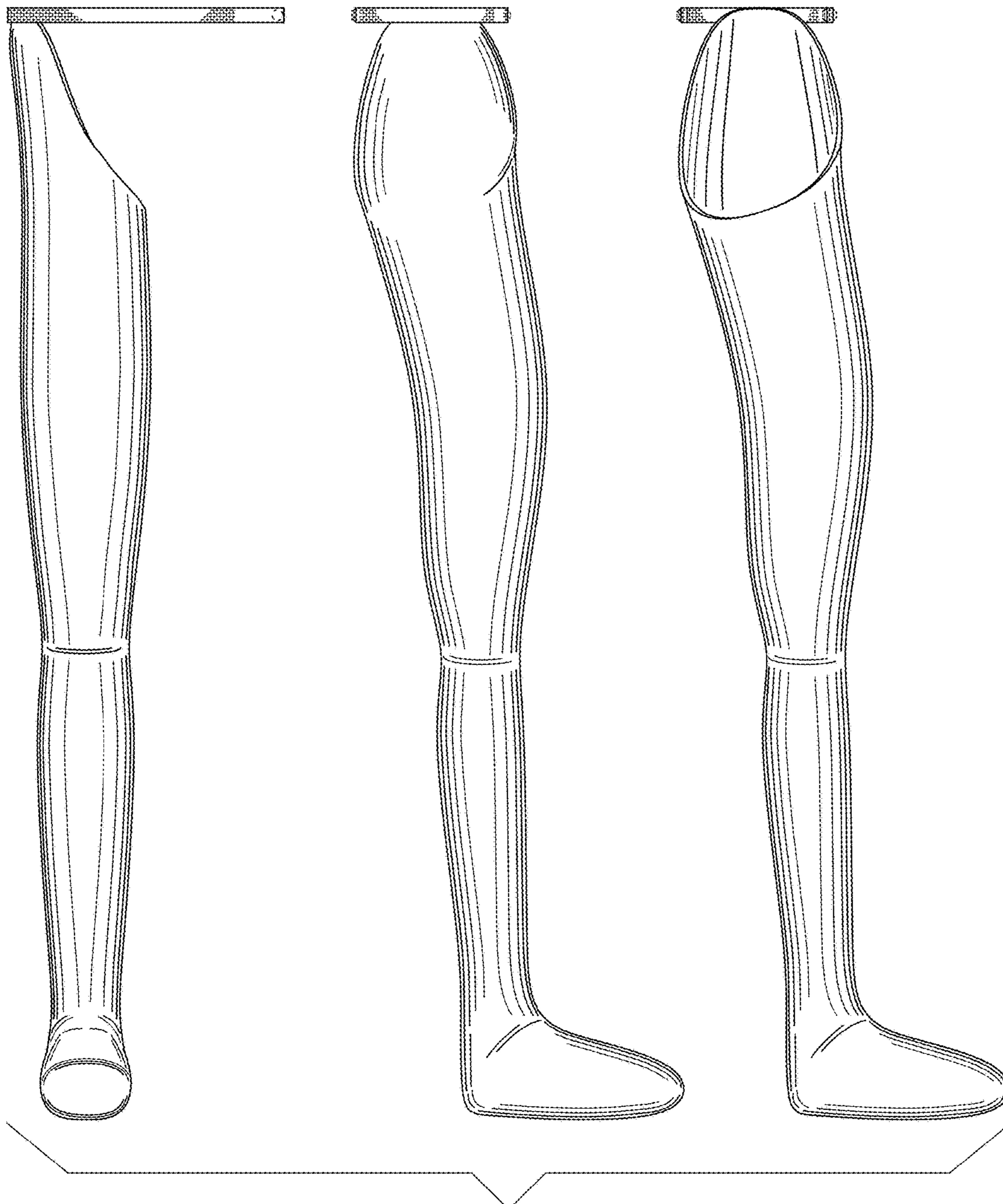


Fig. 4

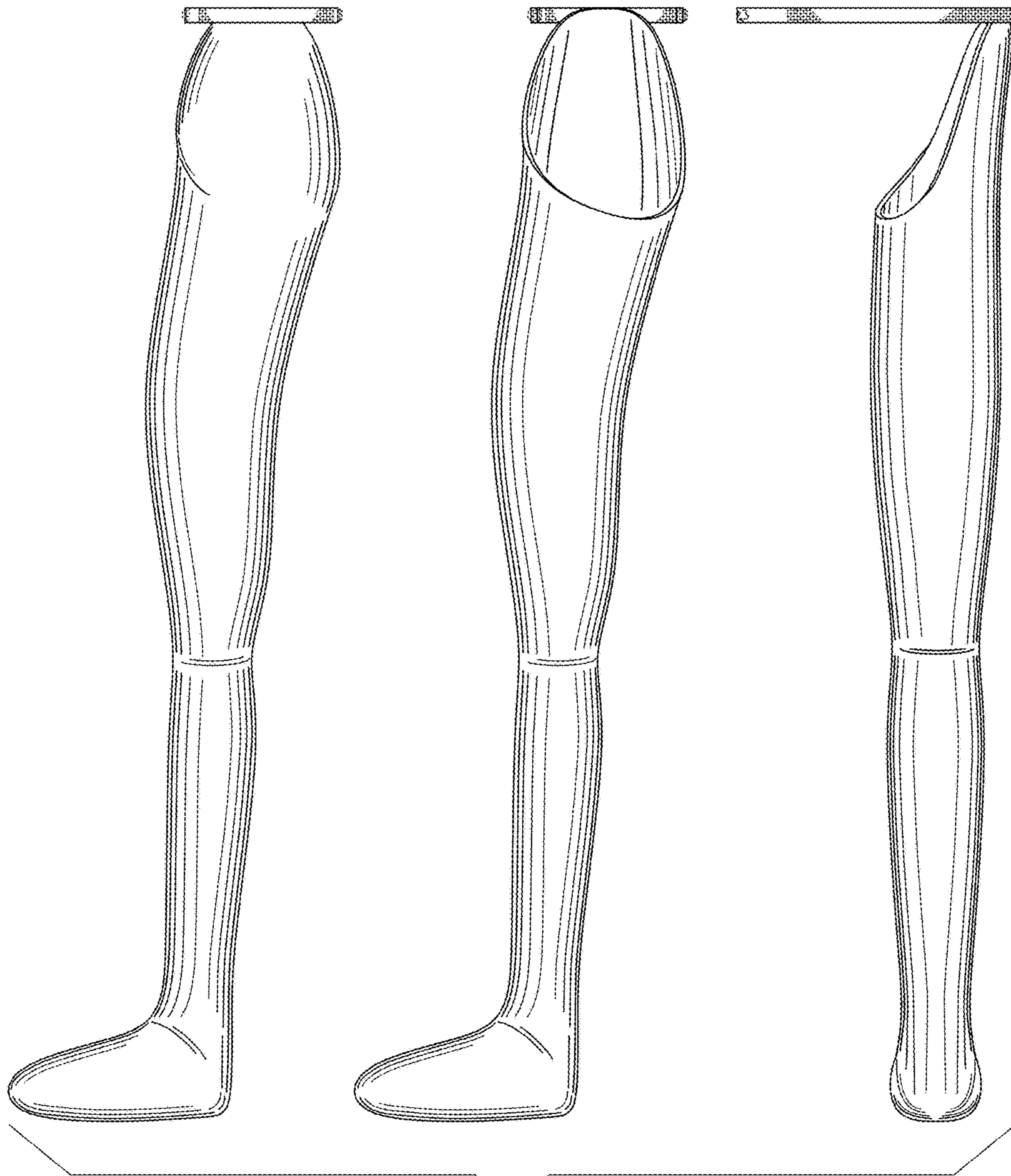


Fig. 5

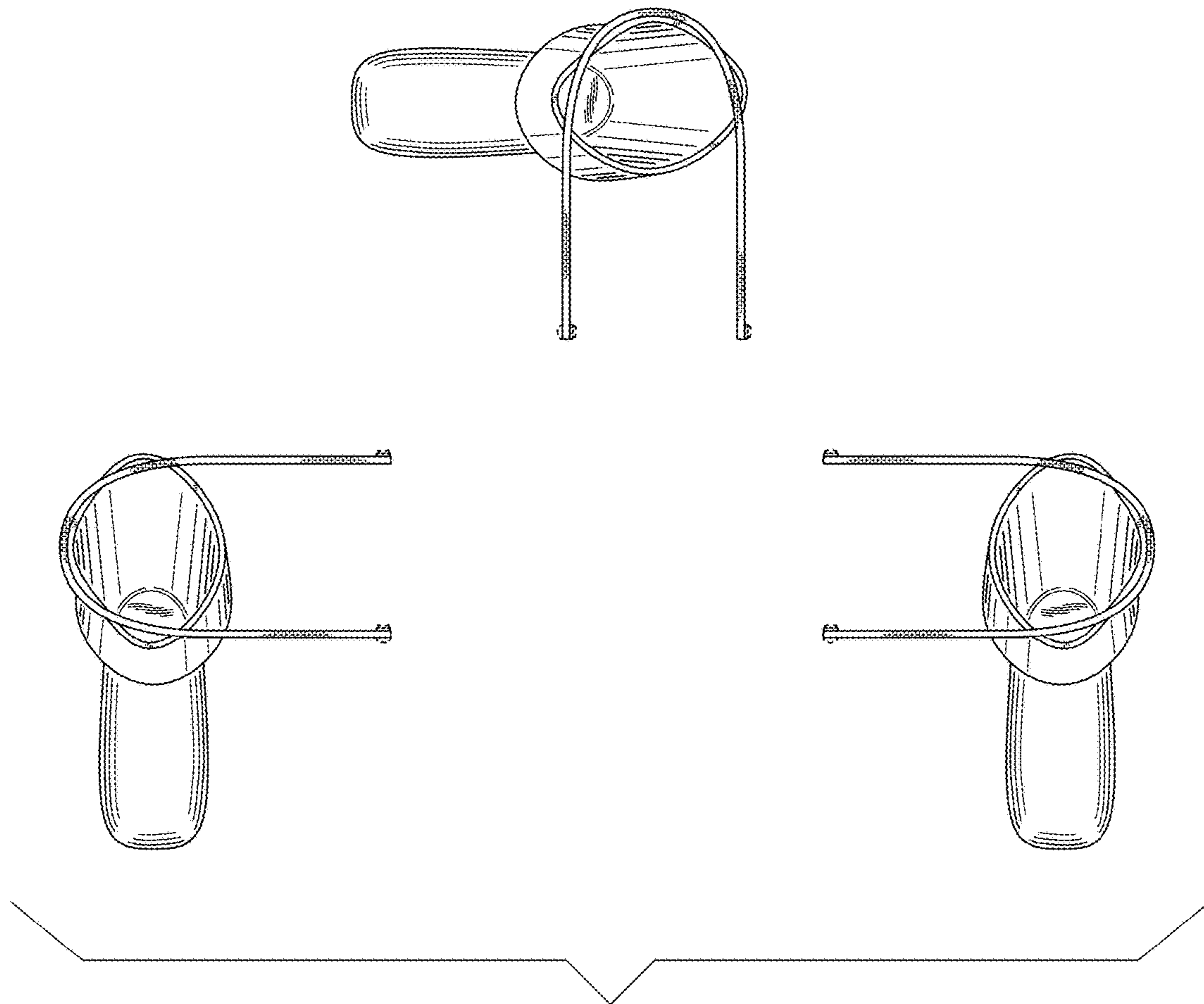


Fig. 6

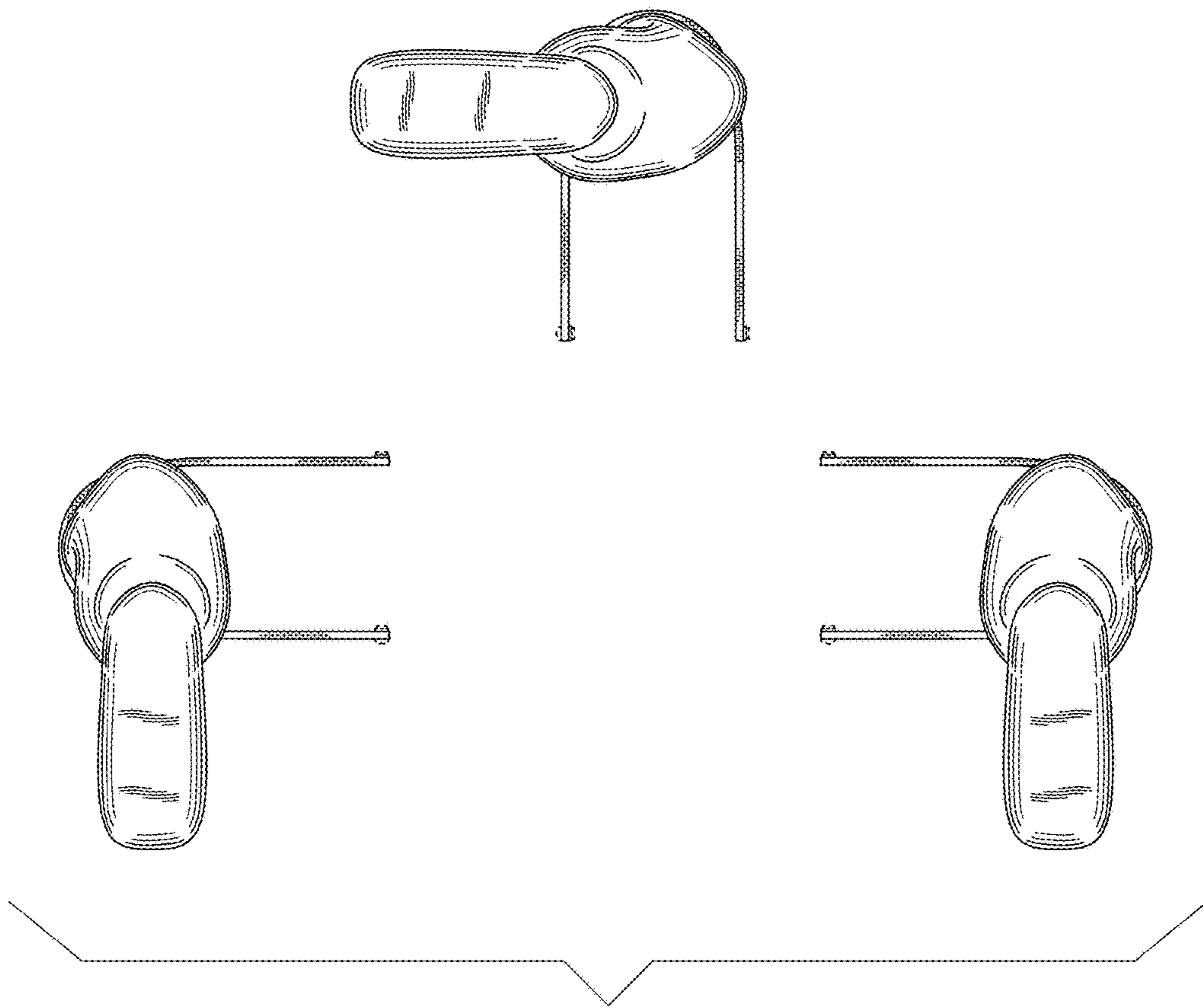


Fig. 7