



US00D772537S

(12) **United States Design Patent**  
**Lavin, Jr.**

(10) **Patent No.:** **US D772,537 S**

(45) **Date of Patent:** **\*\* Nov. 29, 2016**

(54) **HEATING KIT FOR JACKETS, COATS, OR OTHER APPAREL**

(71) Applicant: **Edwin F. Lavin, Jr.**, Houston, TX (US)

(72) Inventor: **Edwin F. Lavin, Jr.**, Houston, TX (US)

(73) Assignee: **MY CORE CONTROL DEVELOPMENT, LLC**, Houston, TX (US)

(\*\*) Term: **14 Years**

(21) Appl. No.: **29/515,053**

(22) Filed: **Jan. 20, 2015**

(51) **LOC (10) Cl.** ..... **02-02**

(52) **U.S. Cl.**  
USPC ..... **D2/853**

(58) **Field of Classification Search**

USPC ..... D2/614, 623, 823, 824, 828, 840, 853,  
D2/866, 891, 999; D11/184, 228;  
D13/103, 106, 118, 119, 121, 171,  
D13/199; D24/167, 168, 187; 2/94, 97, 162,  
2/272, 458, 910; 136/225; 219/211  
CPC .... A41D 13/00; A41D 13/005; A41D 13/08;  
A41D 13/12; A41D 19/00; A41D 19/015;  
A41D 27/02; A41D 27/20; A62B 17/00  
See application file for complete search history.

(56) **References Cited**

**U.S. PATENT DOCUMENTS**

1,416,653 A \* 5/1922 Lenneberg ..... A41D 19/0027  
2/160  
3,316,732 A \* 5/1967 Burton ..... A41D 13/005  
165/64

(Continued)

**OTHER PUBLICATIONS**

Martin, Joe. "Hot Houston startup lands former Barklay's head"  
Posted: Feb. 6, 2015. Houston business journal. <http://www.bizjournals.com/houston/blog/2015/02/hot-houston-startup-lands-former-barclays-head.html>.\*

(Continued)

*Primary Examiner* — Manpreet Matharu

*Assistant Examiner* — Suzanne Tisdell

(74) *Attorney, Agent, or Firm* — Winstead PC

(57) **CLAIM**

I claim the ornamental design for a heating kit for jackets, coats, or other apparel, as shown and described.

**DESCRIPTION**

FIG. 1 shows a top view of a heating kit for jackets, coats, or other apparel, comprising a button, controller, battery pack, and wrist devices;

FIG. 2 shows a bottom view of a heating kit;

FIG. 3 shows a left side view of a heating kit;

FIG. 4 shows a right view of a heating kit;

FIG. 5 shows a front view of a heating kit;

FIG. 6 shows a rear view of a heating kit;

FIG. 7 shows a top view of the button for the heating kit;

FIG. 8 shows a bottom view of the button;

FIG. 9 shows a left side view the button;

FIG. 10 shows a right side view the button;

FIG. 11 shows a front view the button;

FIG. 12 shows a rear view the button;

FIG. 13 shows a top view of the controller for the heating kit;

FIG. 14 shows a bottom view of the controller;

FIG. 15 shows a left side view the controller;

FIG. 16 shows a right side view the controller;

FIG. 17 shows a front view the controller;

FIG. 18 shows a rear view the controller;

FIG. 19 shows a top view of the battery pack for the heating kit;

FIG. 20 shows a bottom view of the battery pack;

FIG. 21 shows a front view the battery pack;

FIG. 22 shows a rear view the battery pack;

FIG. 23 shows a left side view the battery pack;

FIG. 24 shows a right side view the battery pack;

FIG. 25 shows a top view of the wrist device for the heating kit;

FIG. 26 shows a bottom view of the wrist device;

FIG. 27 shows a left side view the wrist device;

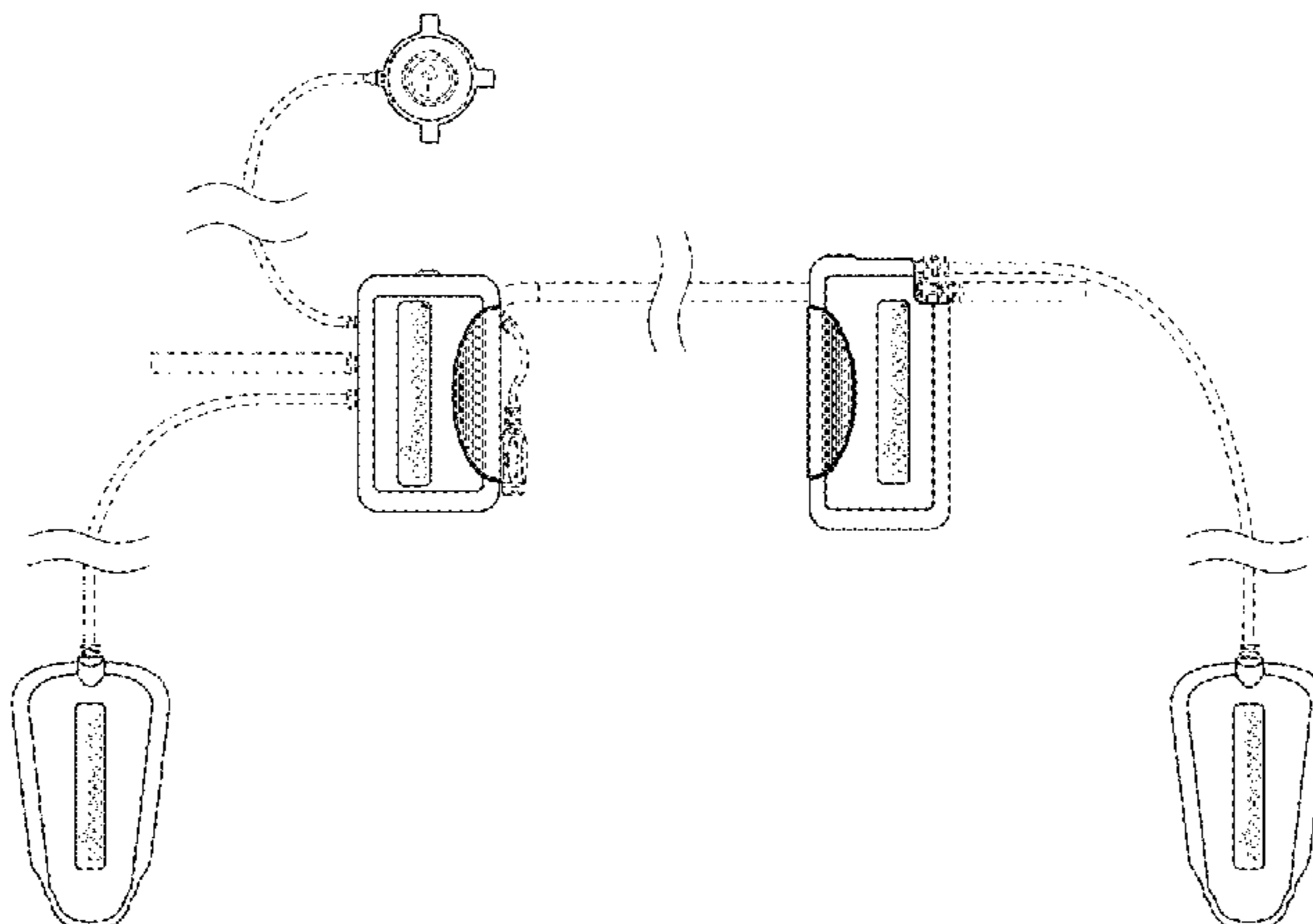
FIG. 28 shows a right side view the wrist device;

FIG. 29 shows a front view the wrist device; and,

FIG. 30 shows a rear view the wrist device.

The dashed lines are for the purpose of illustrating portions of the heating kit for jackets, coats, or other apparel, comprising a button, controller, battery pack, and wrist devices and form no part of the claimed design. The dotted lines on the surface portions indicate contour and not surface decoration.

**1 Claim, 13 Drawing Sheets**



(56)

References Cited

U.S. PATENT DOCUMENTS

3,425,487 A \* 2/1969 Tucker ..... A41D 13/005  
126/204  
3,632,966 A \* 1/1972 Arron ..... H05B 3/342  
2/158  
4,515,872 A \* 5/1985 Okano ..... H01M 2/1055  
429/123  
4,793,005 A \* 12/1988 Hetzel, Jr. .... A41D 19/01547  
2/161.1  
D302,711 S \* 8/1989 Burlison ..... D16/309  
D307,579 S \* 5/1990 Layne ..... D13/137.3  
D340,027 S \* 10/1993 Tortola ..... D13/103  
D411,165 S \* 6/1999 Deslyper ..... D13/103  
D457,132 S \* 5/2002 Petherbridge ..... D13/103  
D457,634 S \* 5/2002 Rouns ..... D24/168  
D490,370 S \* 5/2004 Picardo ..... D13/103  
D556,679 S \* 12/2007 Weinstein ..... D13/103  
7,347,578 B1 \* 3/2008 Nourse ..... A41D 19/0157  
2/159  
D581,371 S \* 11/2008 Richmond ..... D13/168  
D597,211 S \* 7/2009 Ewing ..... D24/187  
D629,524 S \* 12/2010 Zeller ..... D24/158  
D639,437 S \* 6/2011 Bishay ..... D24/167  
D675,738 S \* 2/2013 Baumer ..... D24/168  
D682,197 S \* 5/2013 Leung ..... D13/103  
D686,150 S \* 7/2013 Lee ..... D13/103  
D697,865 S \* 1/2014 Saito ..... D13/103  
D718,867 S \* 12/2014 Schroderus ..... D24/167  
D733,078 S \* 6/2015 Wu ..... D13/171  
D737,979 S \* 9/2015 Selvitelli ..... D24/167  
D742,823 S \* 11/2015 Nitz ..... D13/103  
D745,167 S \* 12/2015 Canas ..... D10/78

D745,455 S \* 12/2015 Nook ..... D13/103  
D746,770 S \* 1/2016 Nook ..... D13/103  
D746,993 S \* 1/2016 Lewis, Jr. .... D24/187  
2002/0153126 A1 \* 10/2002 Clemente ..... A41D 13/005  
165/46  
2007/0085340 A1 \* 4/2007 Gammons ..... F16L 37/0841  
285/308  
2009/0289046 A1 \* 11/2009 Richmond ..... A41D 13/0051  
219/211  
2012/0117997 A1 \* 5/2012 Coleman ..... A41D 13/0056  
62/259.3  
2012/0144554 A1 \* 6/2012 Thellmann ..... A63B 21/4033  
2/161.1  
2014/0021189 A1 \* 1/2014 Yue ..... A41D 13/0051  
219/211  
2014/0263264 A1 \* 9/2014 Weir ..... A41D 13/0051  
219/211  
2014/0353300 A1 \* 12/2014 Swiatek ..... H05B 1/0272  
219/211  
2015/0122791 A1 \* 5/2015 Hung ..... H05B 1/0272  
219/211  
2015/0136753 A1 \* 5/2015 Cronn ..... H05B 3/00  
219/211

OTHER PUBLICATIONS

“My Core Control Men’s Heated Hunting Jacket” First Posted: Jun. 2, 2015. Rural King. <http://www.ruralking.com/my-core-control-heated-hunting-jacket-570-j.html>.  
\*  
“My core control heated jackets” Published Dec. 29, 2014. Youtube. <https://www.youtube.com/watch?v=h3q6xaX7jmk>.  
\*

\* cited by examiner

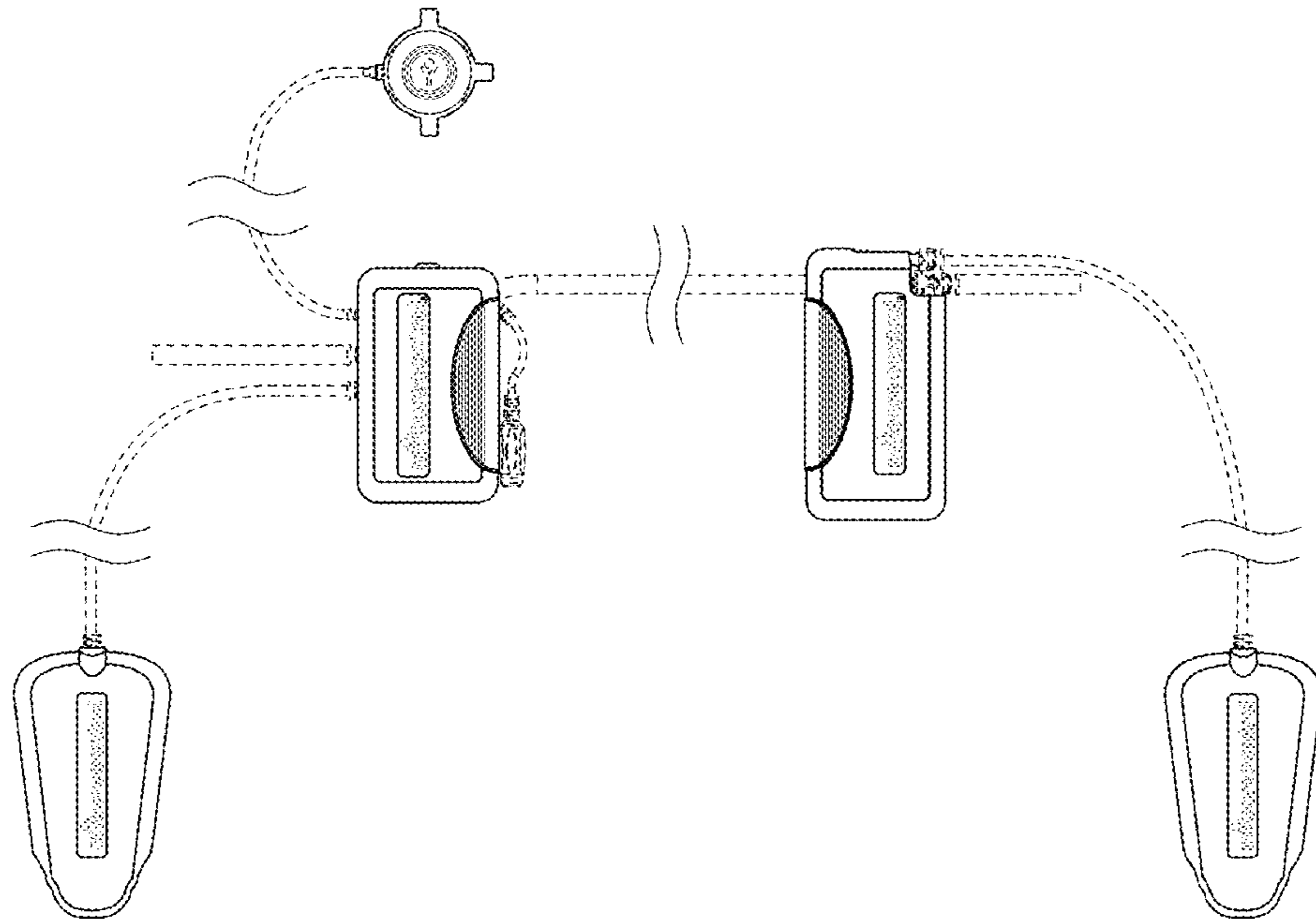


FIG. 1

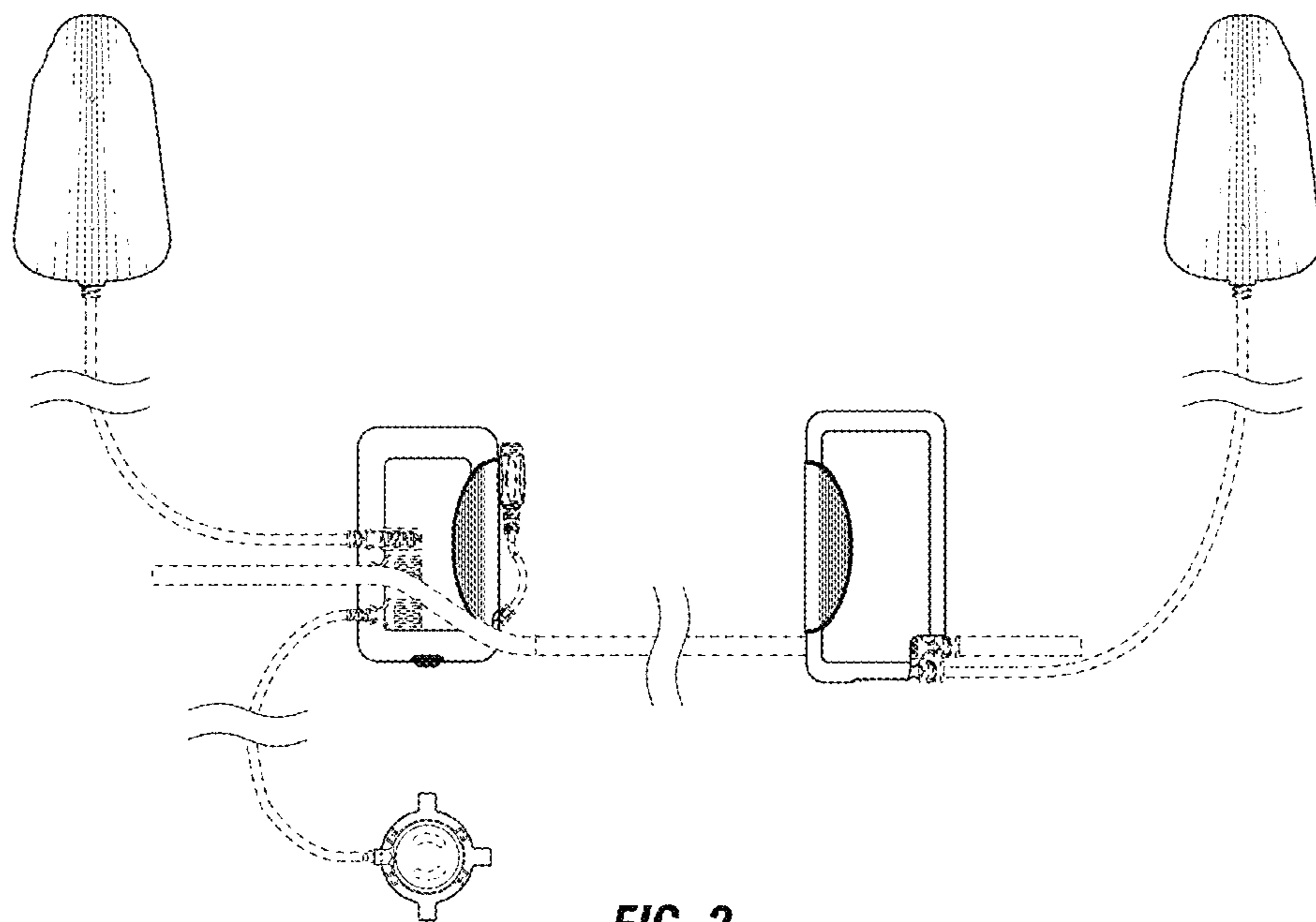
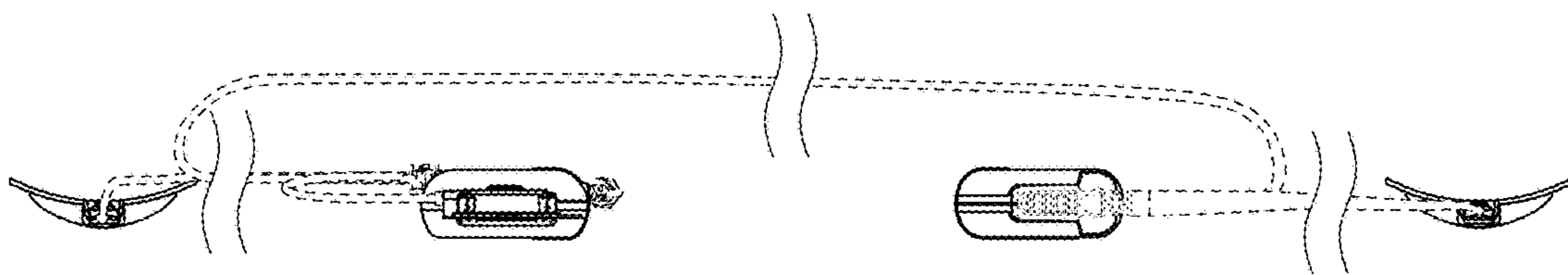
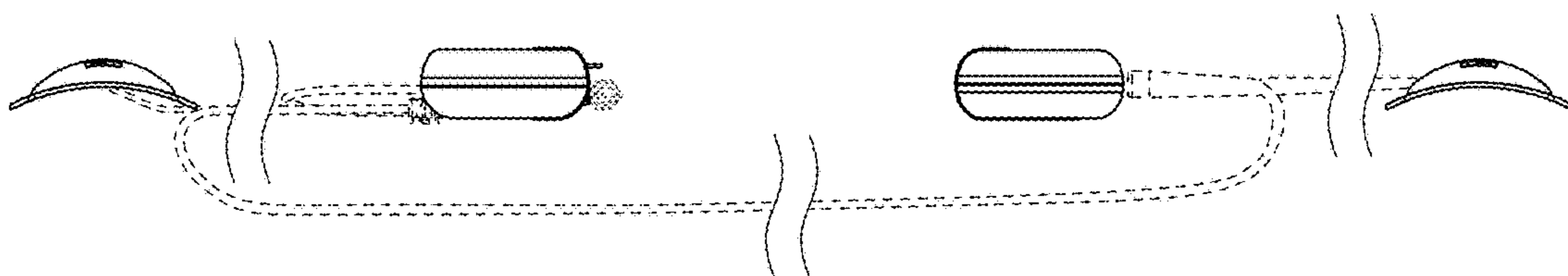


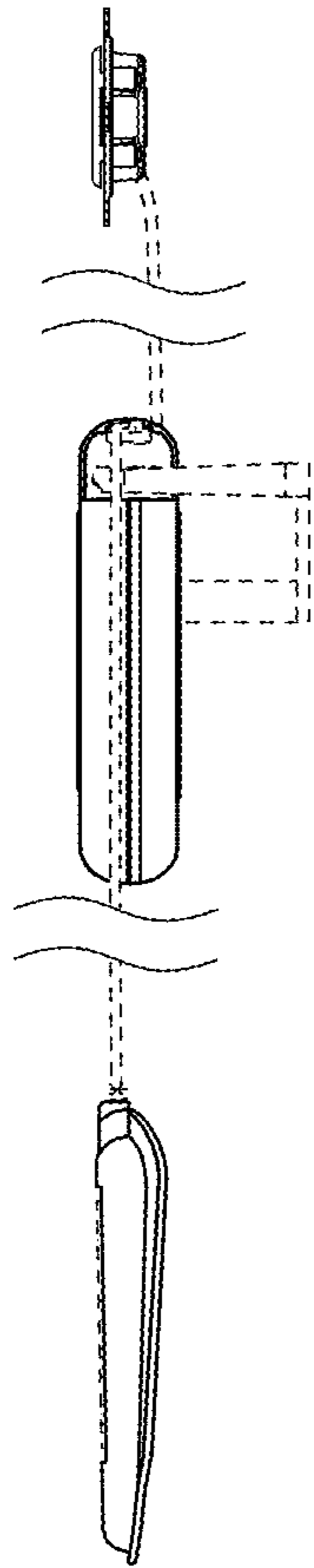
FIG. 2



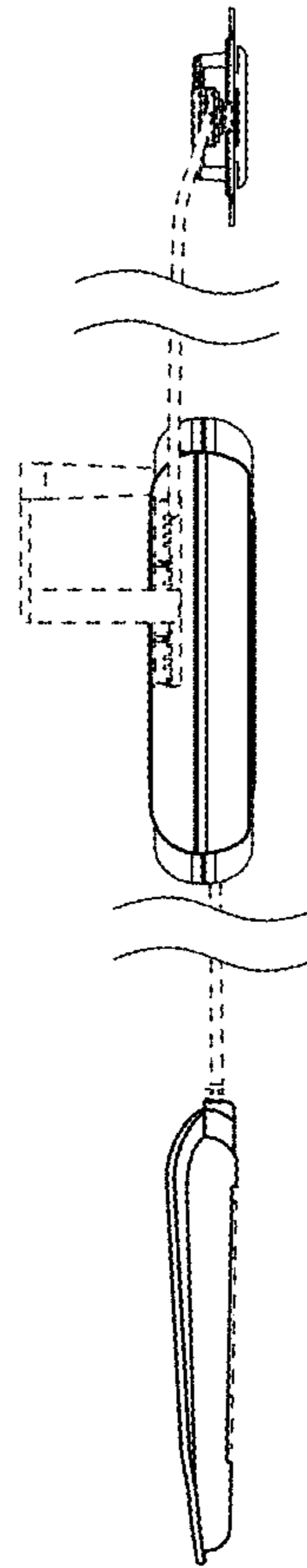
**FIG. 3**



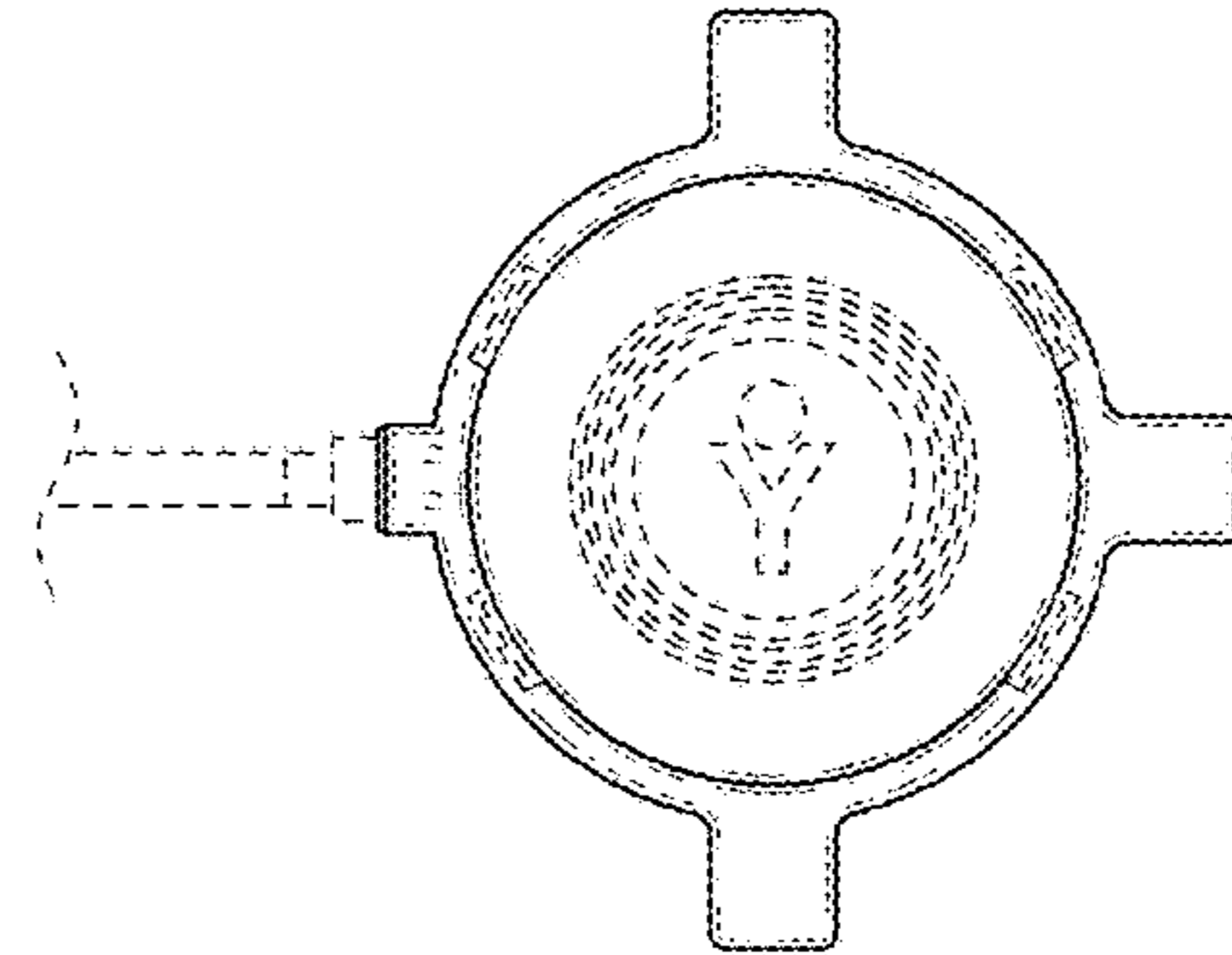
**FIG. 4**



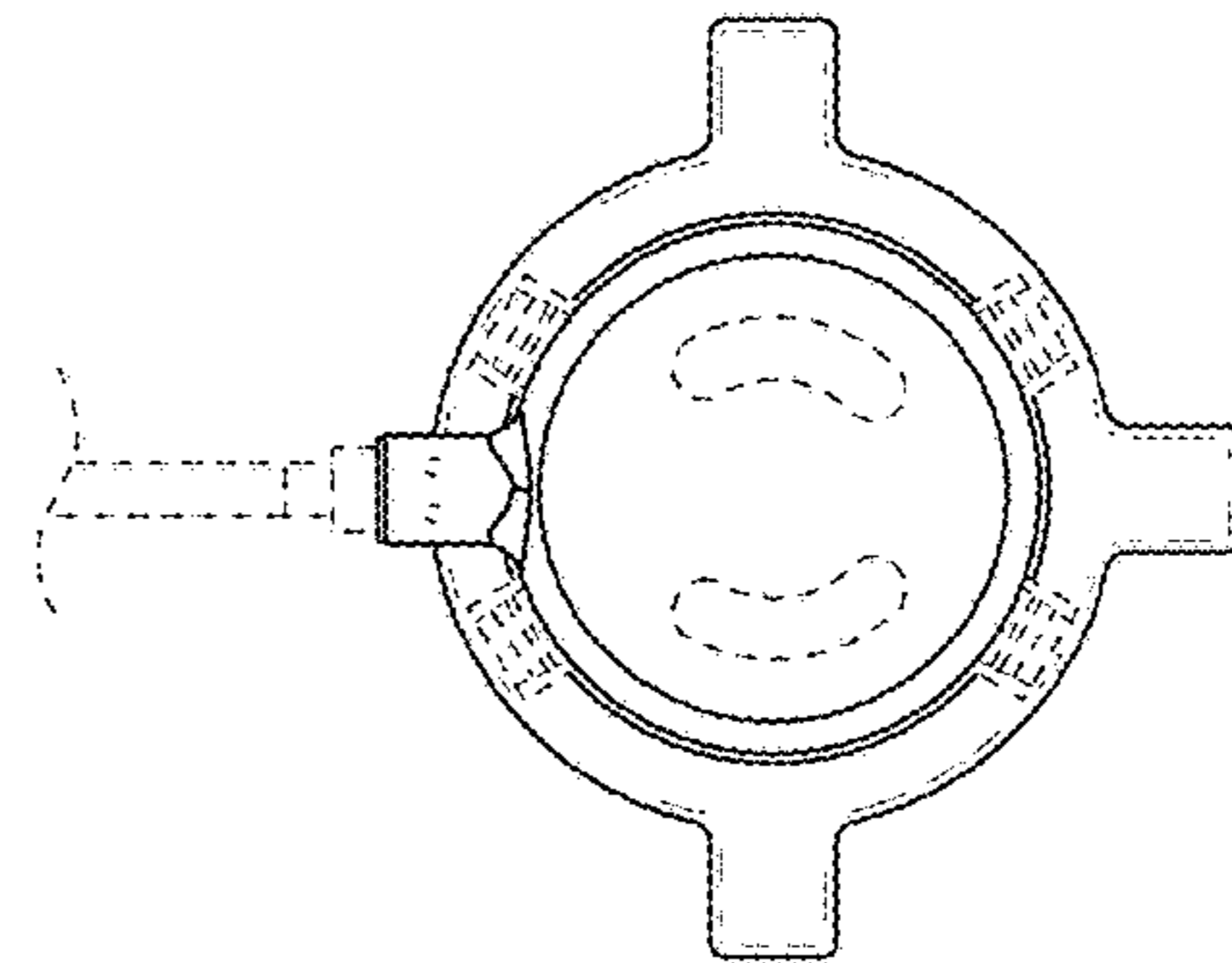
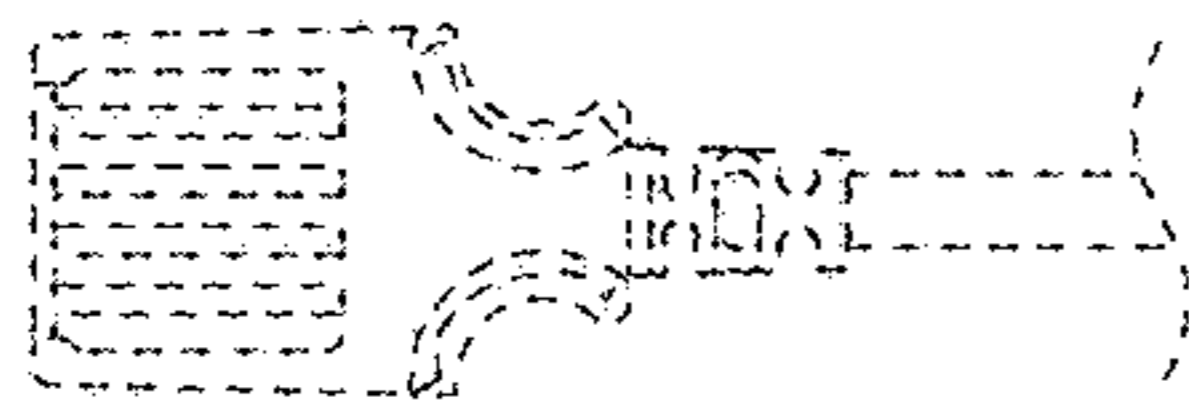
**FIG. 5**



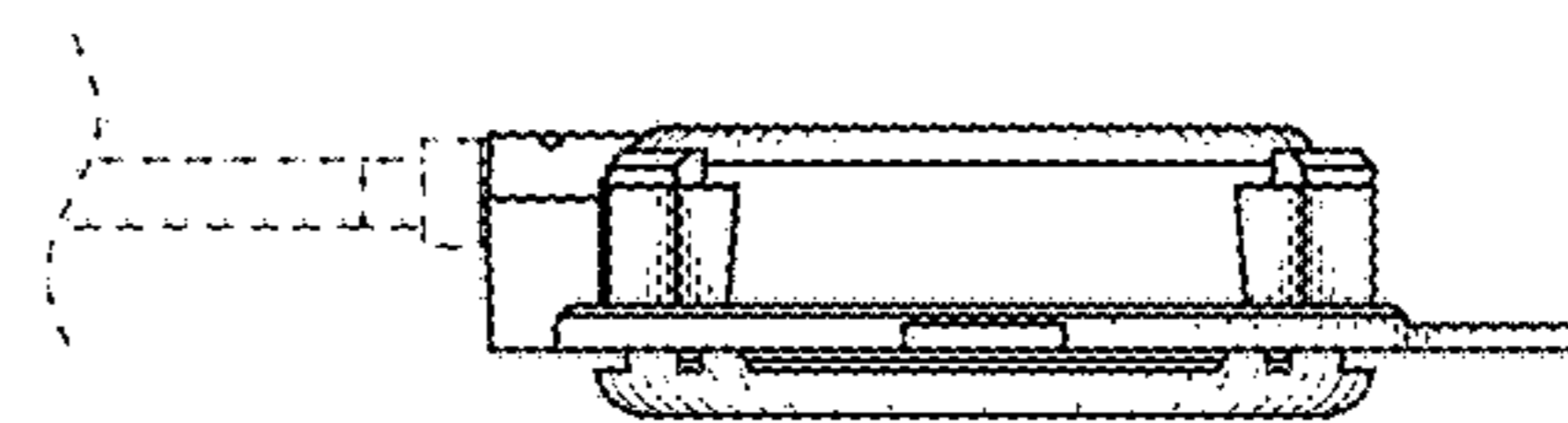
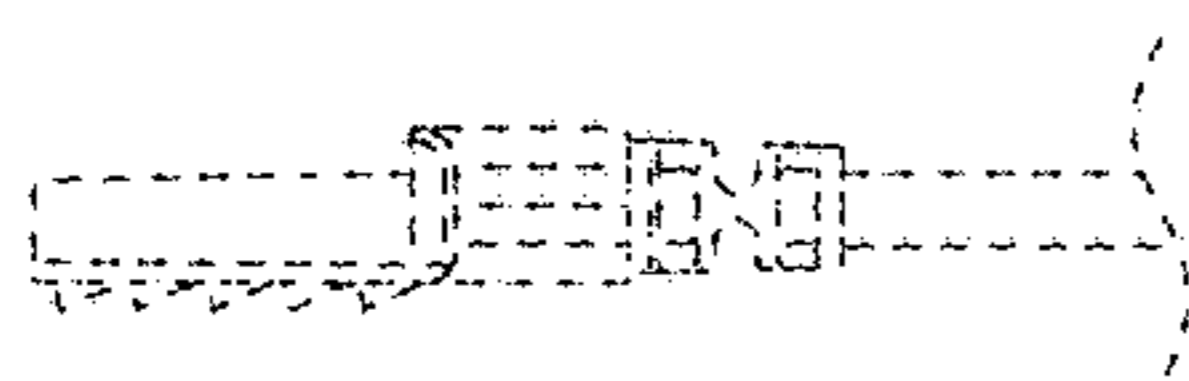
**FIG. 6**



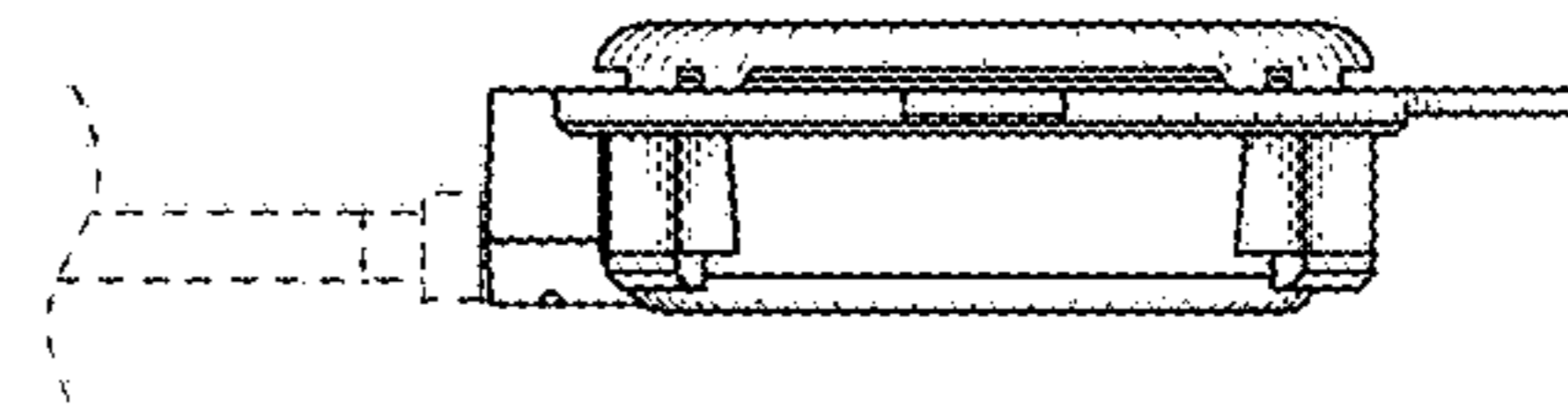
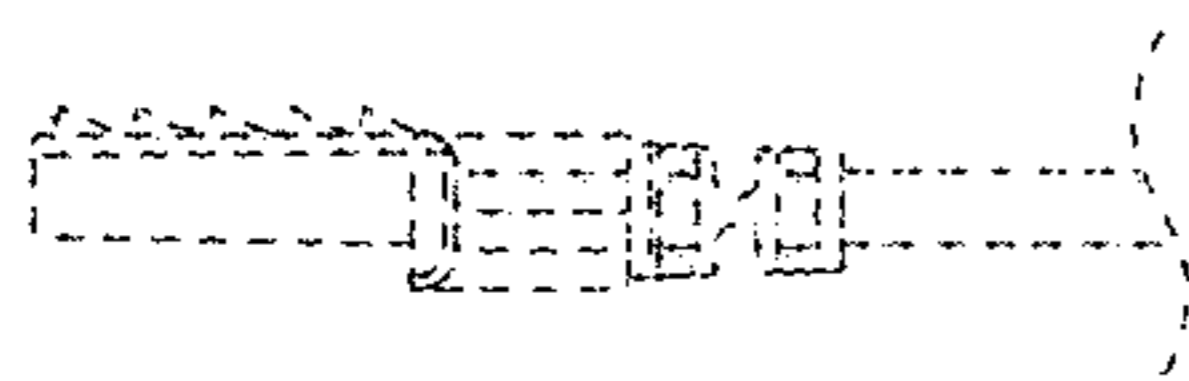
**FIG. 7**



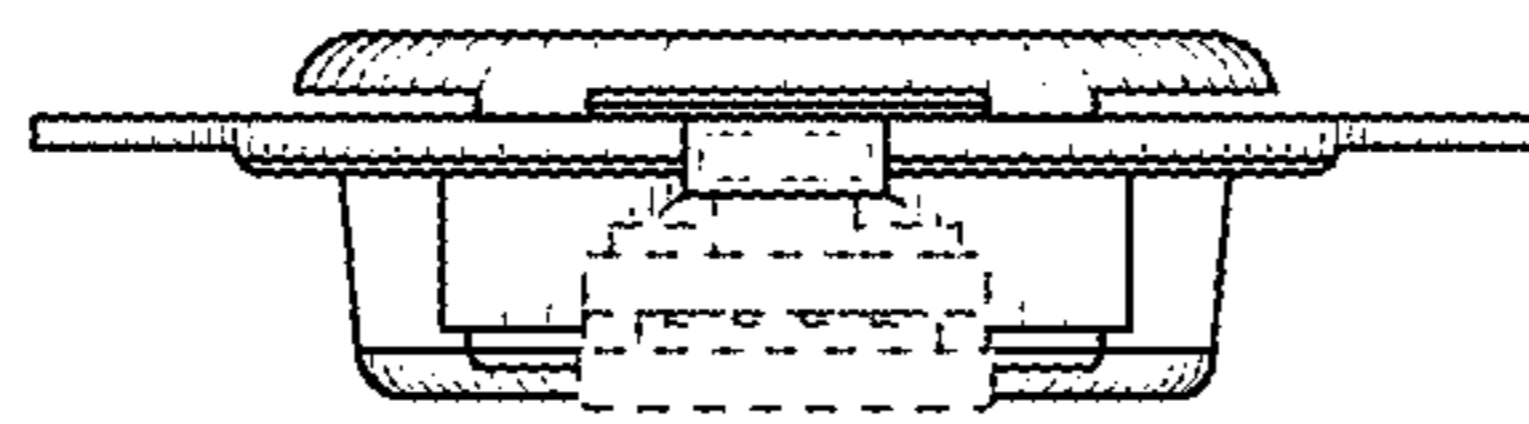
**FIG. 8**



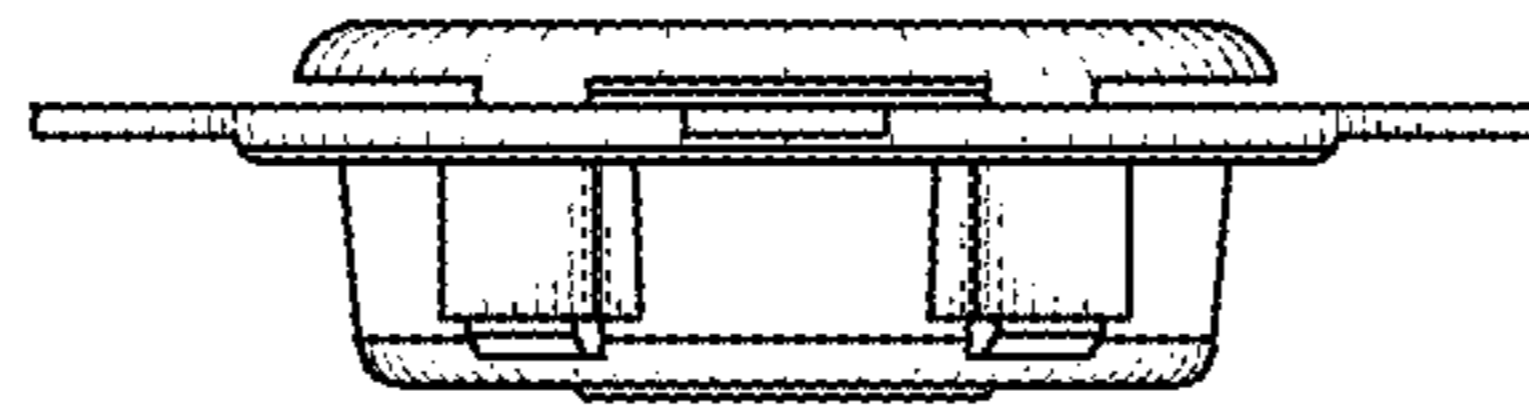
**FIG. 9**



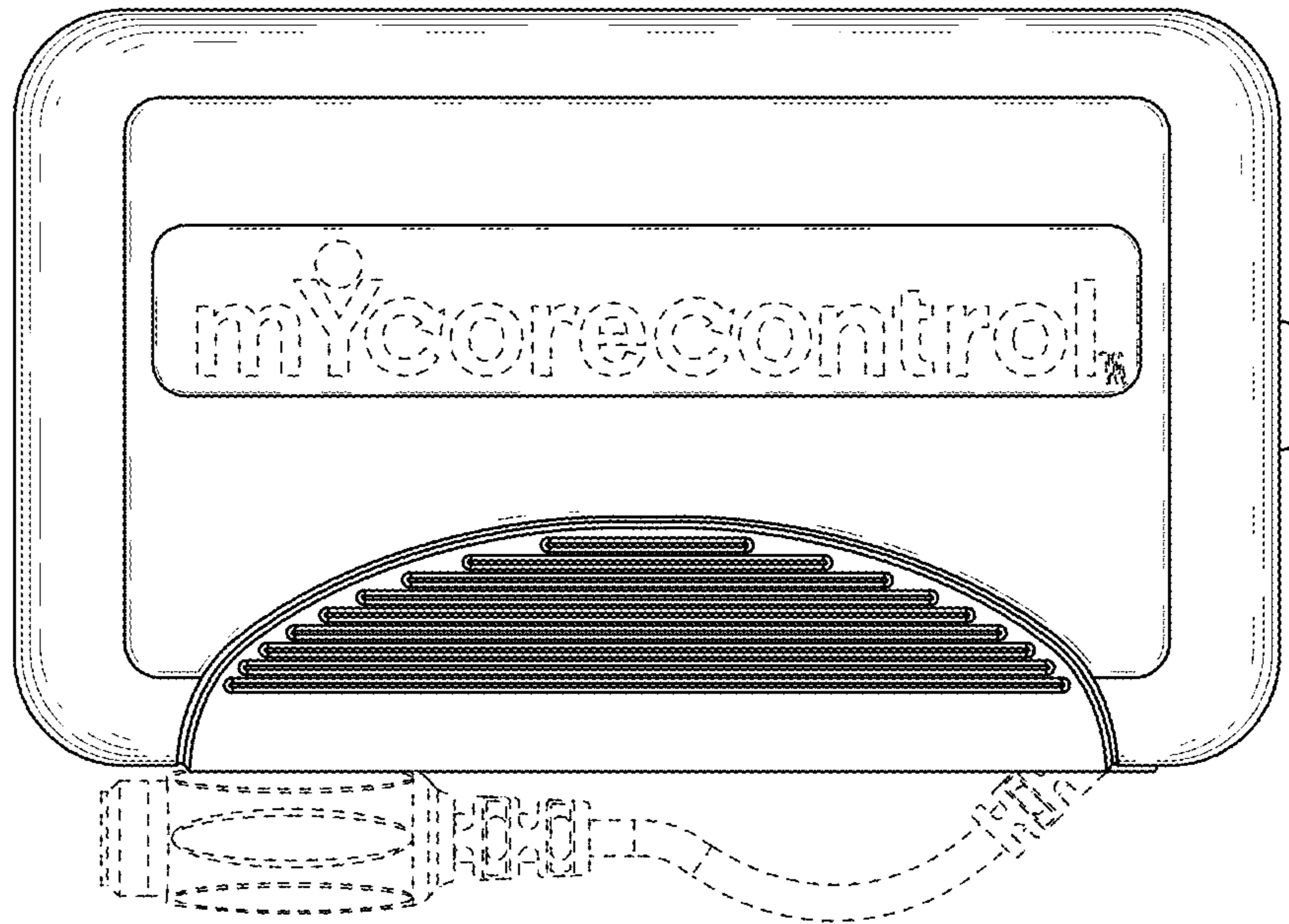
**FIG. 10**



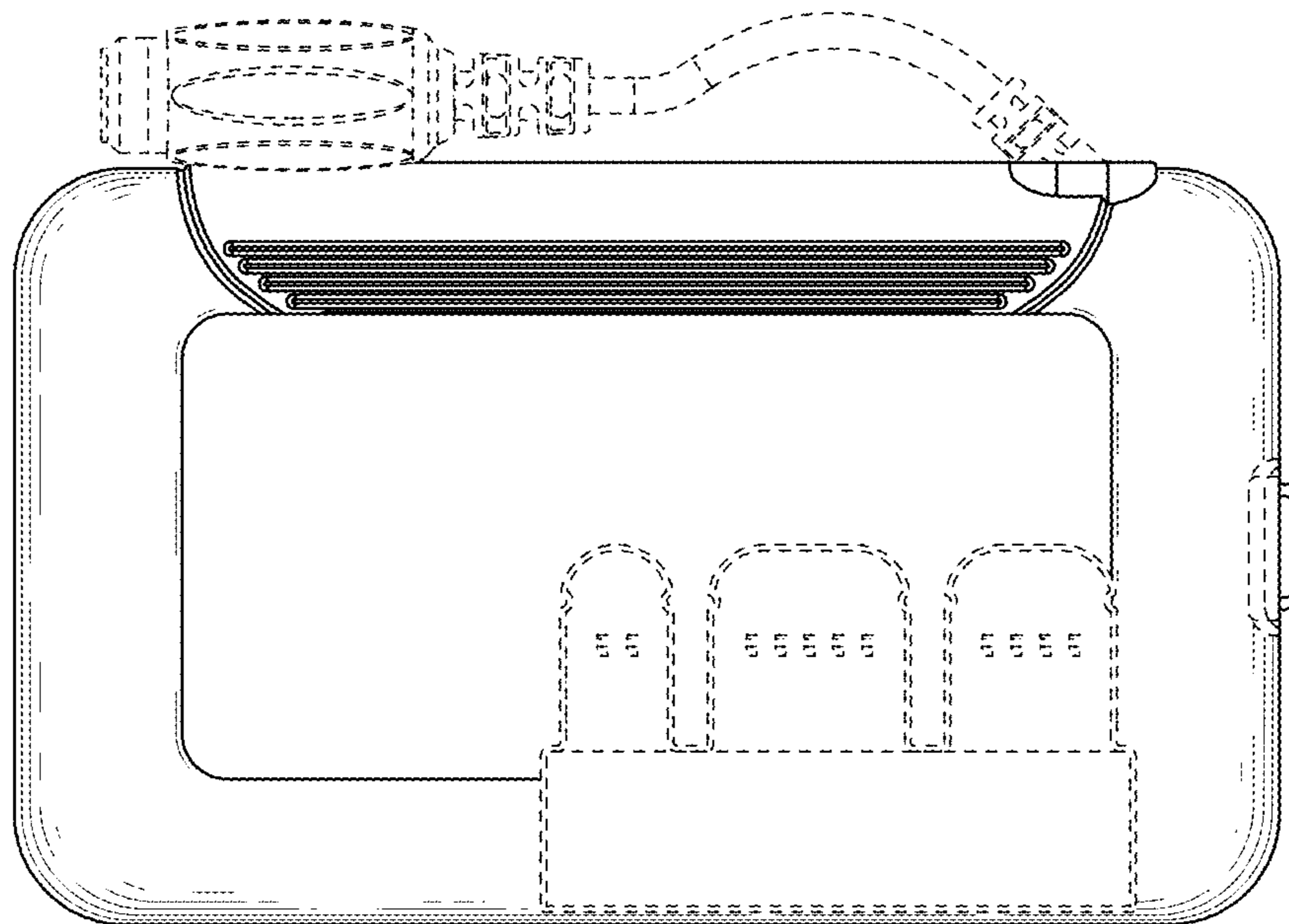
**FIG. 11**



**FIG. 12**

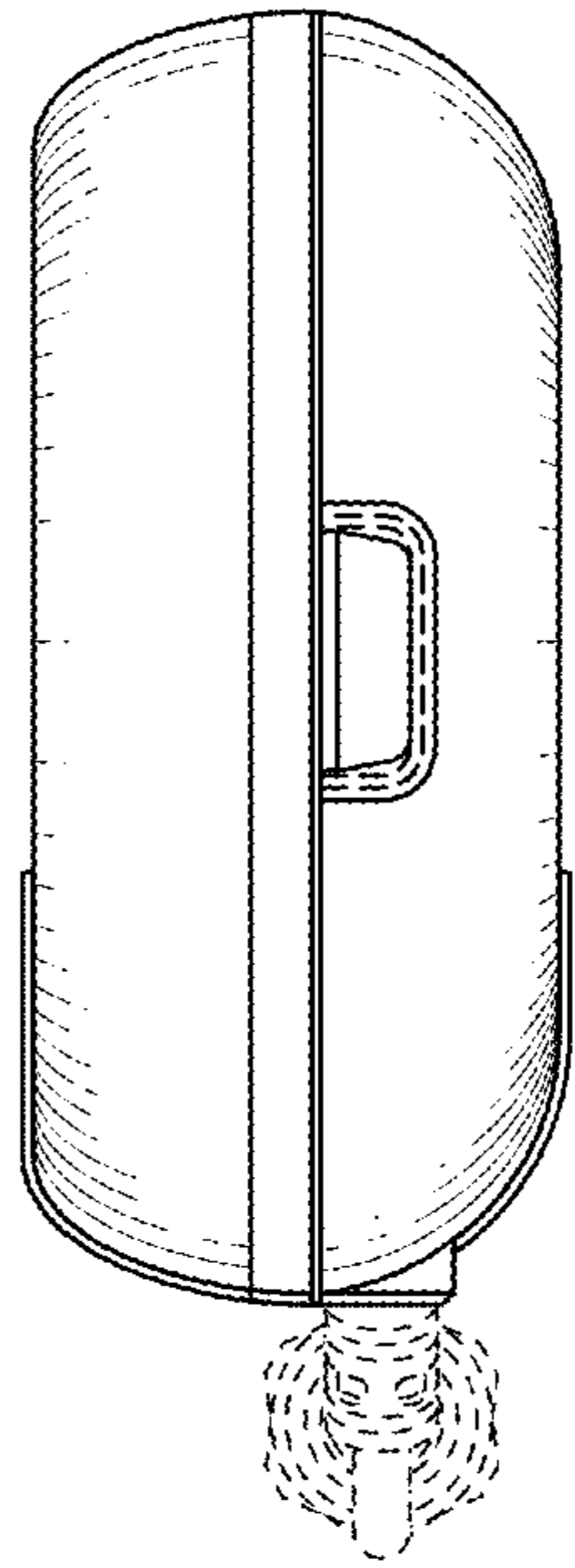


**FIG. 13**

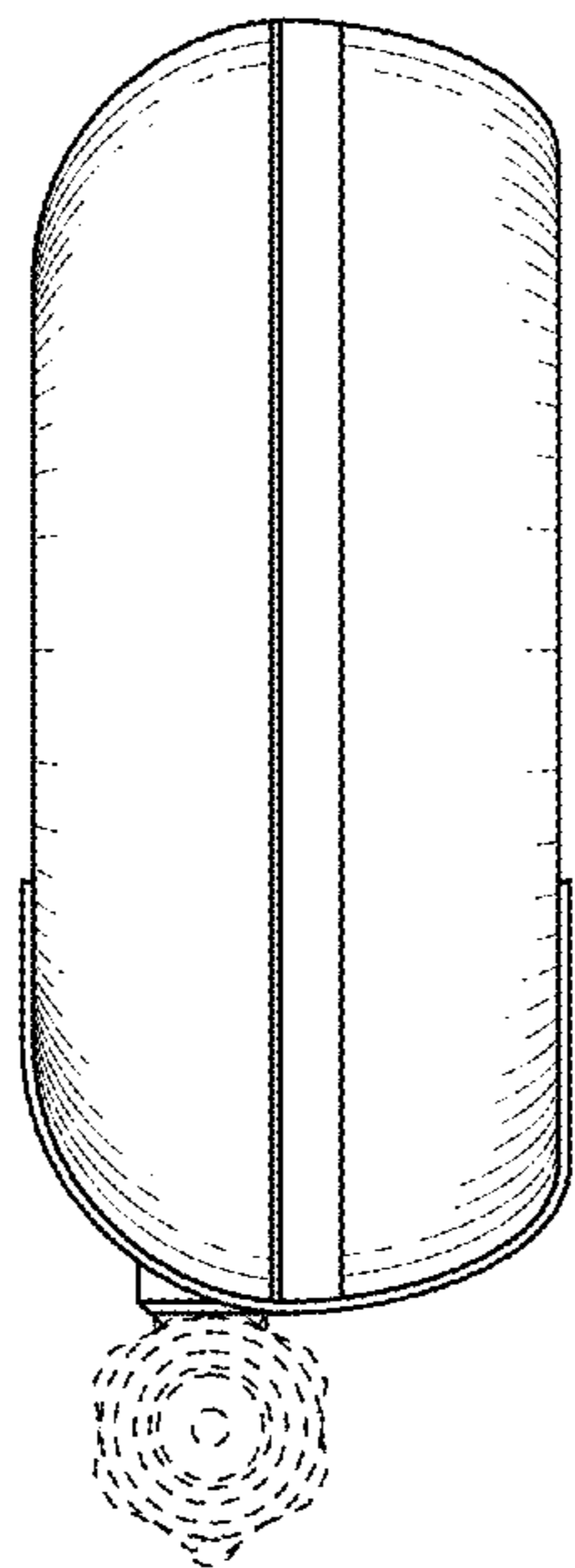


**FIG. 14**

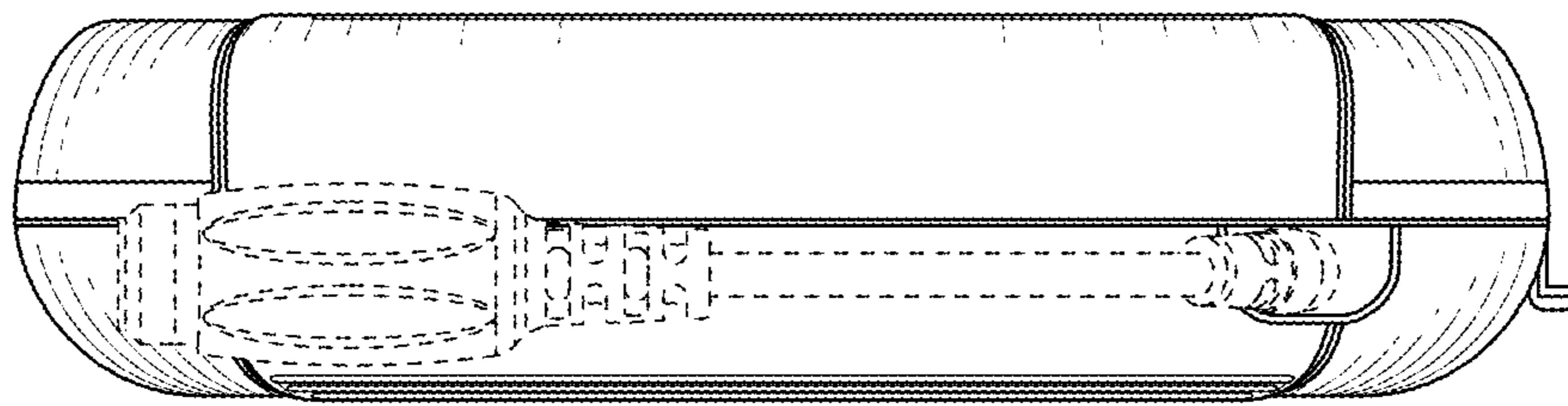




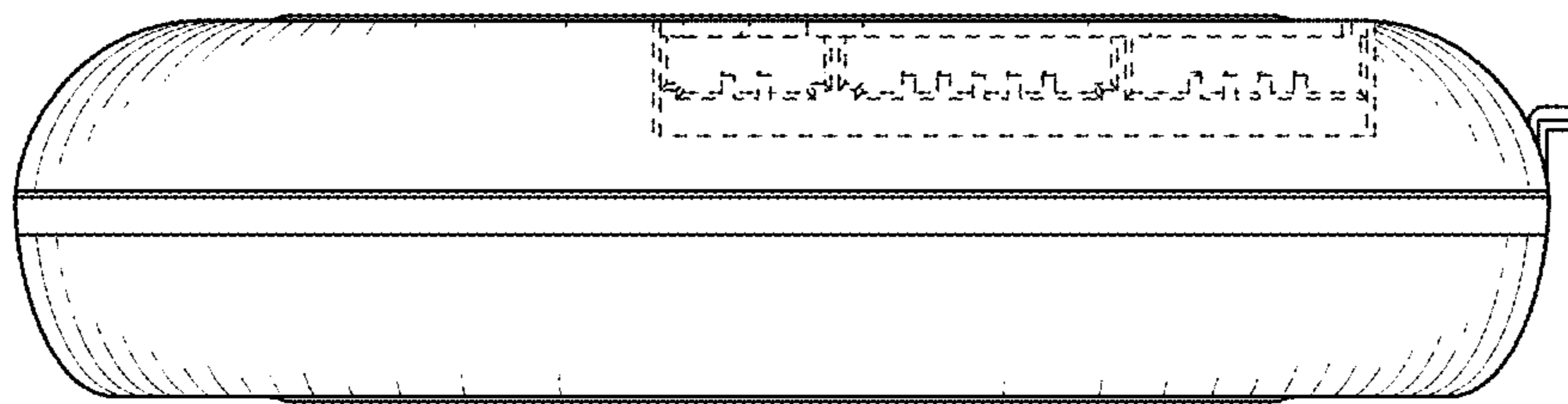
**FIG. 15**



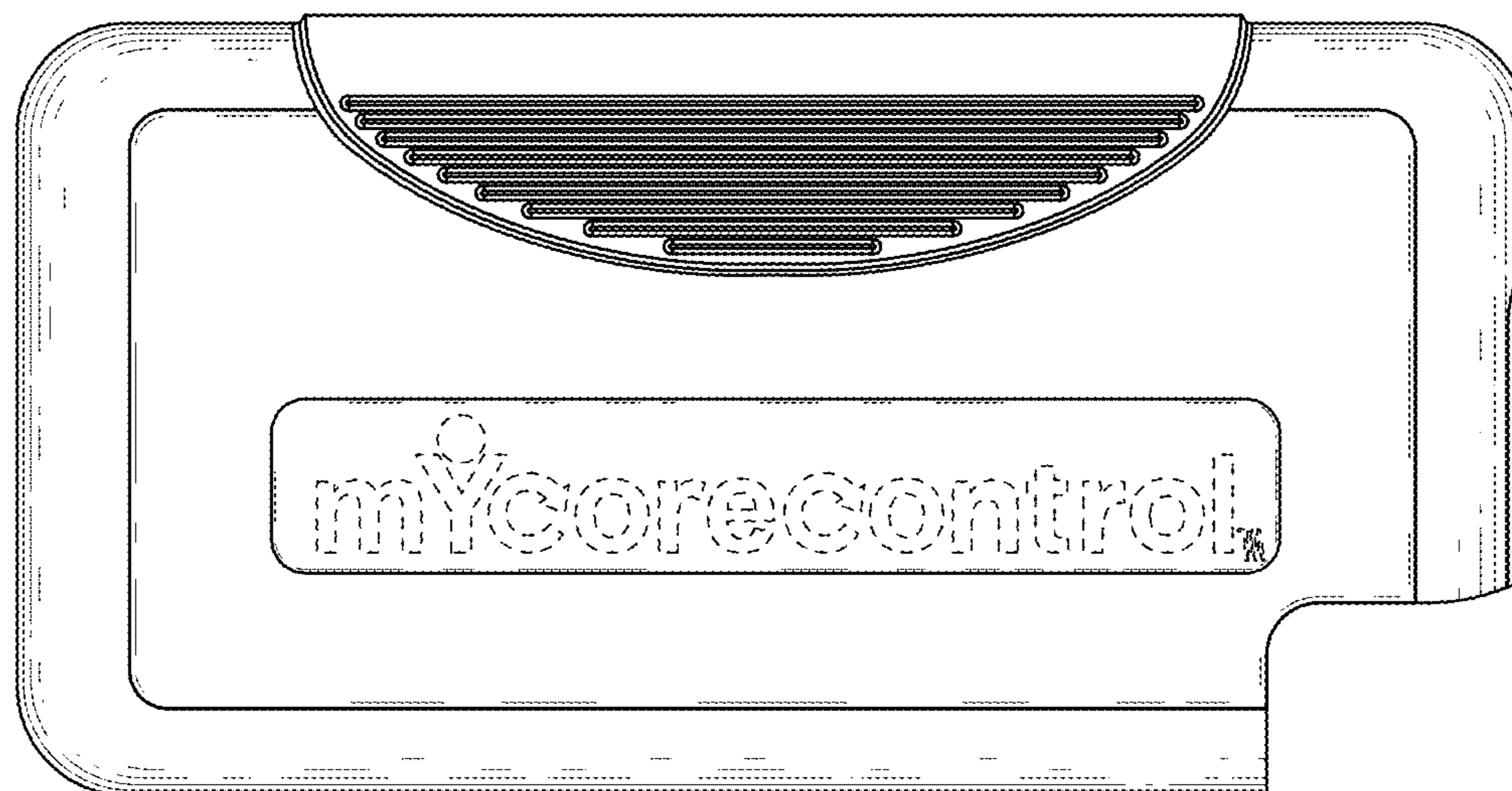
**FIG. 16**



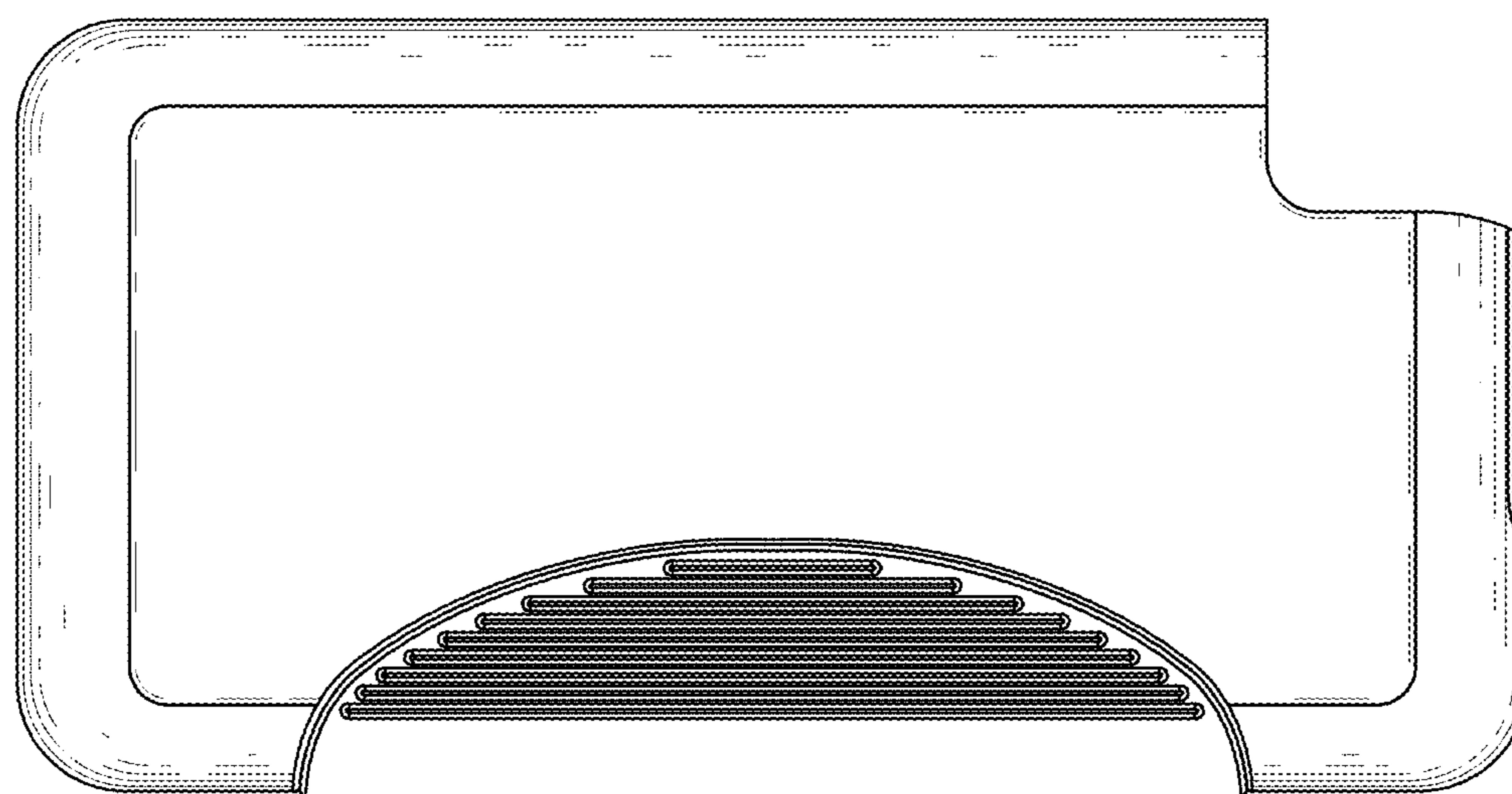
**FIG. 17**



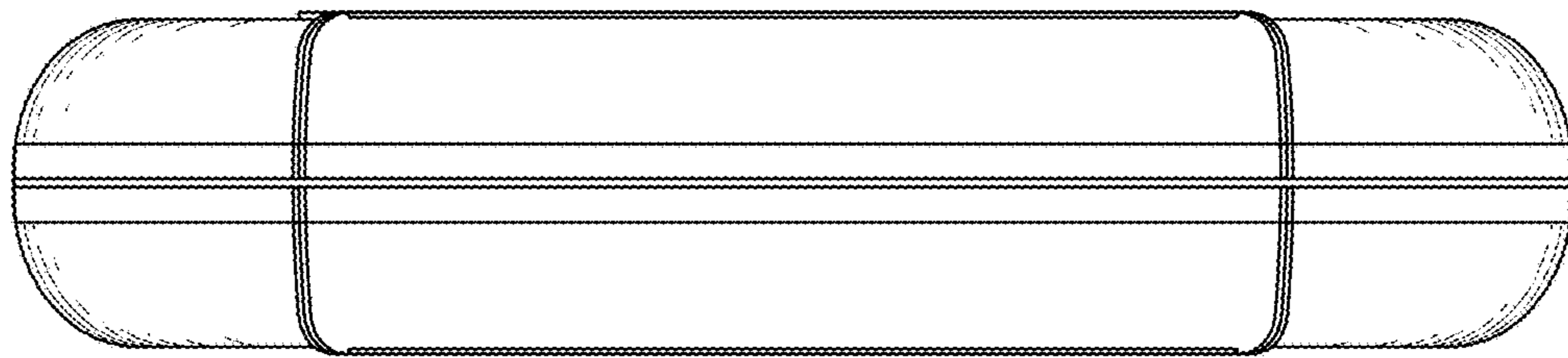
**FIG. 18**



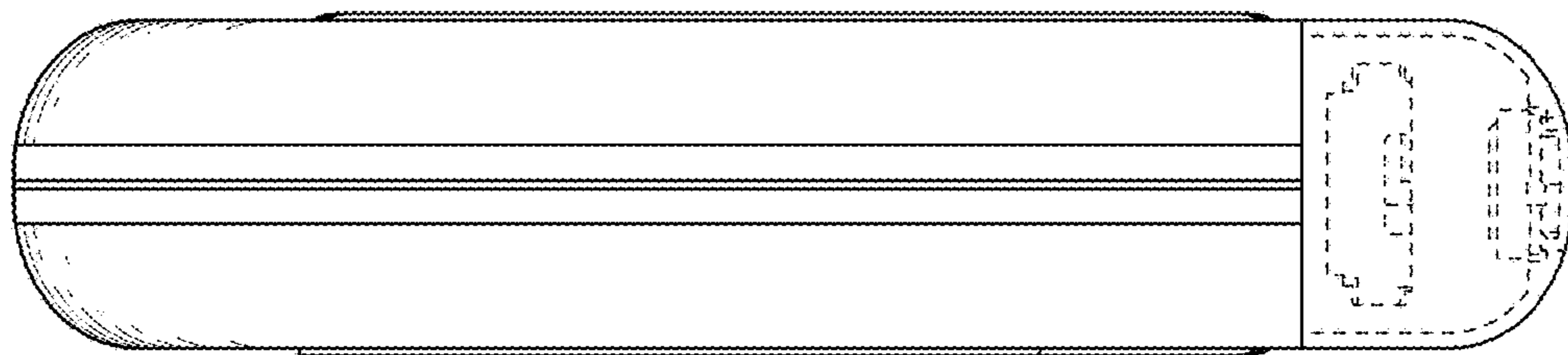
**FIG. 19**



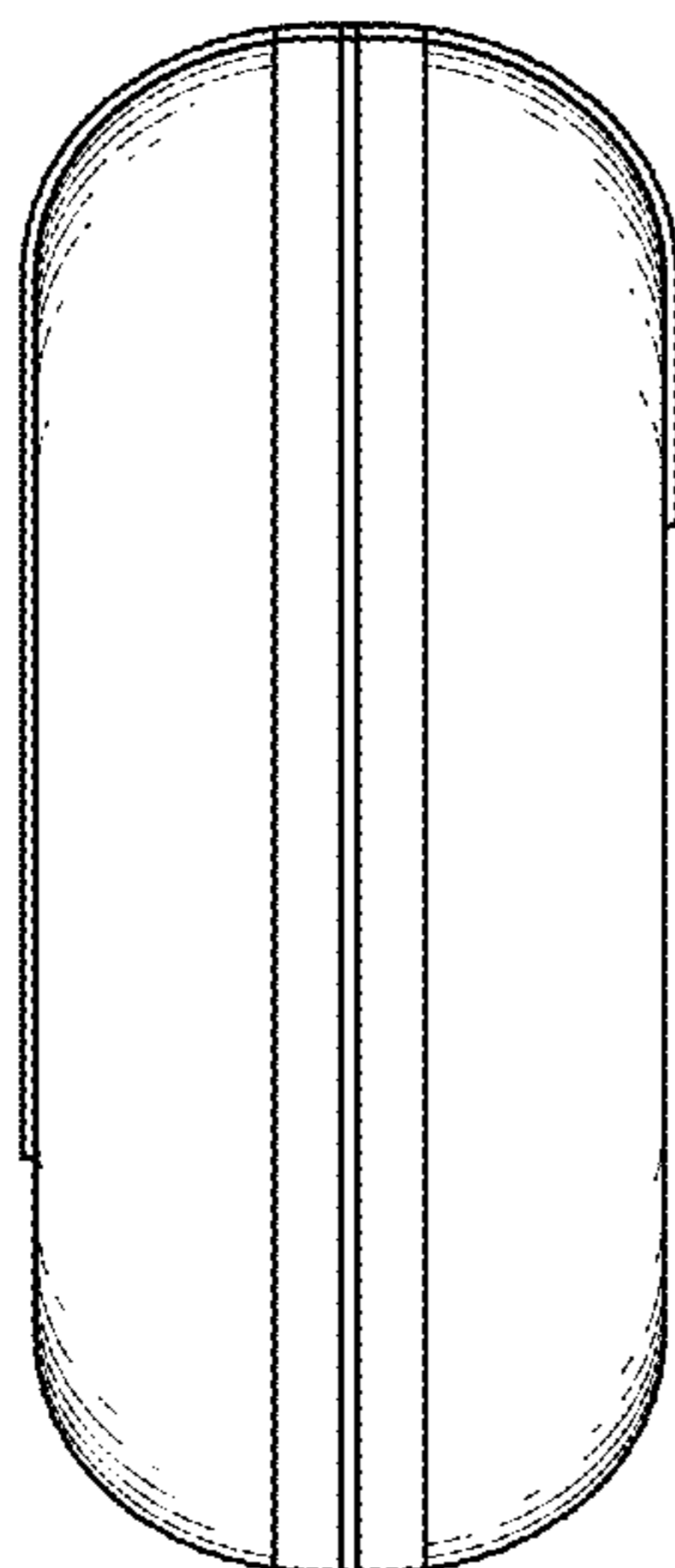
**FIG. 20**



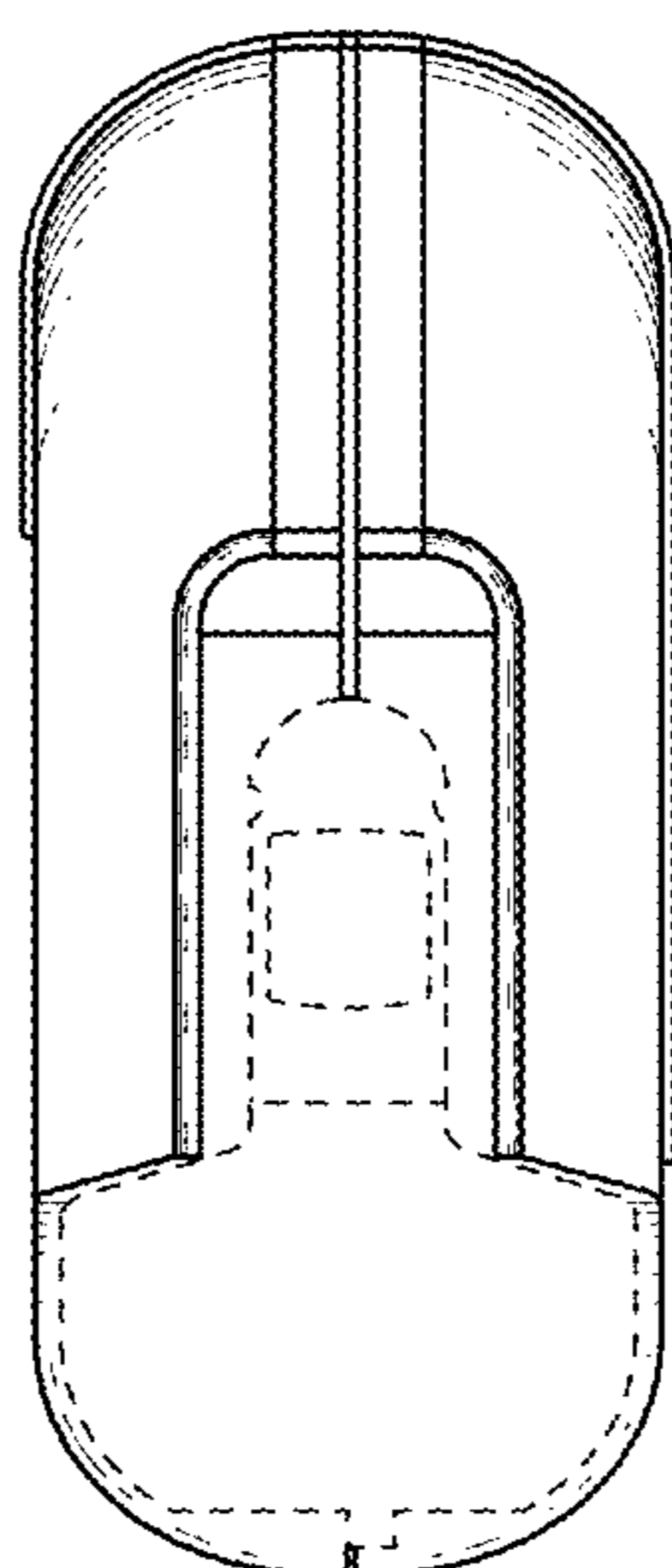
**FIG. 21**



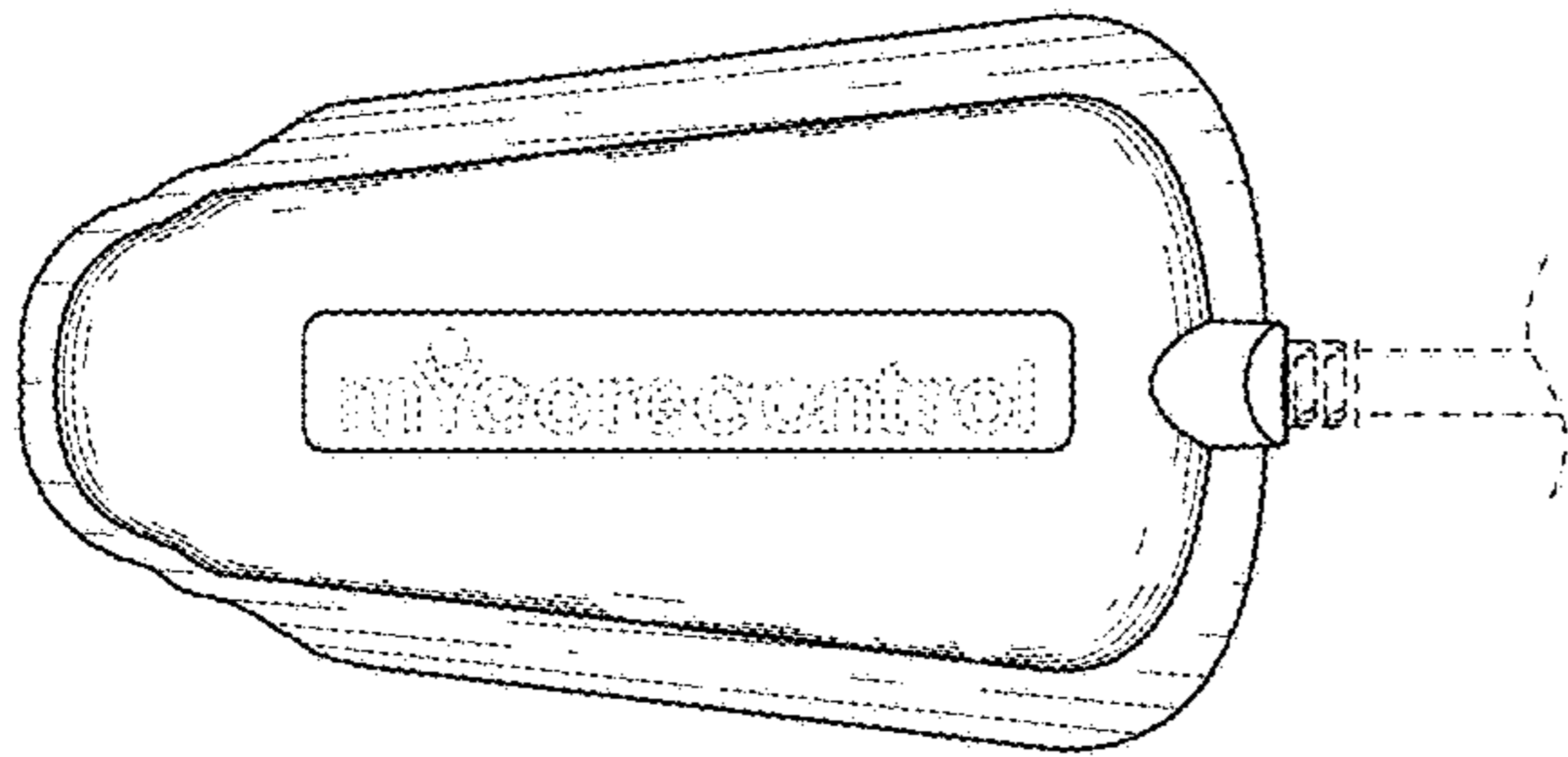
**FIG. 22**



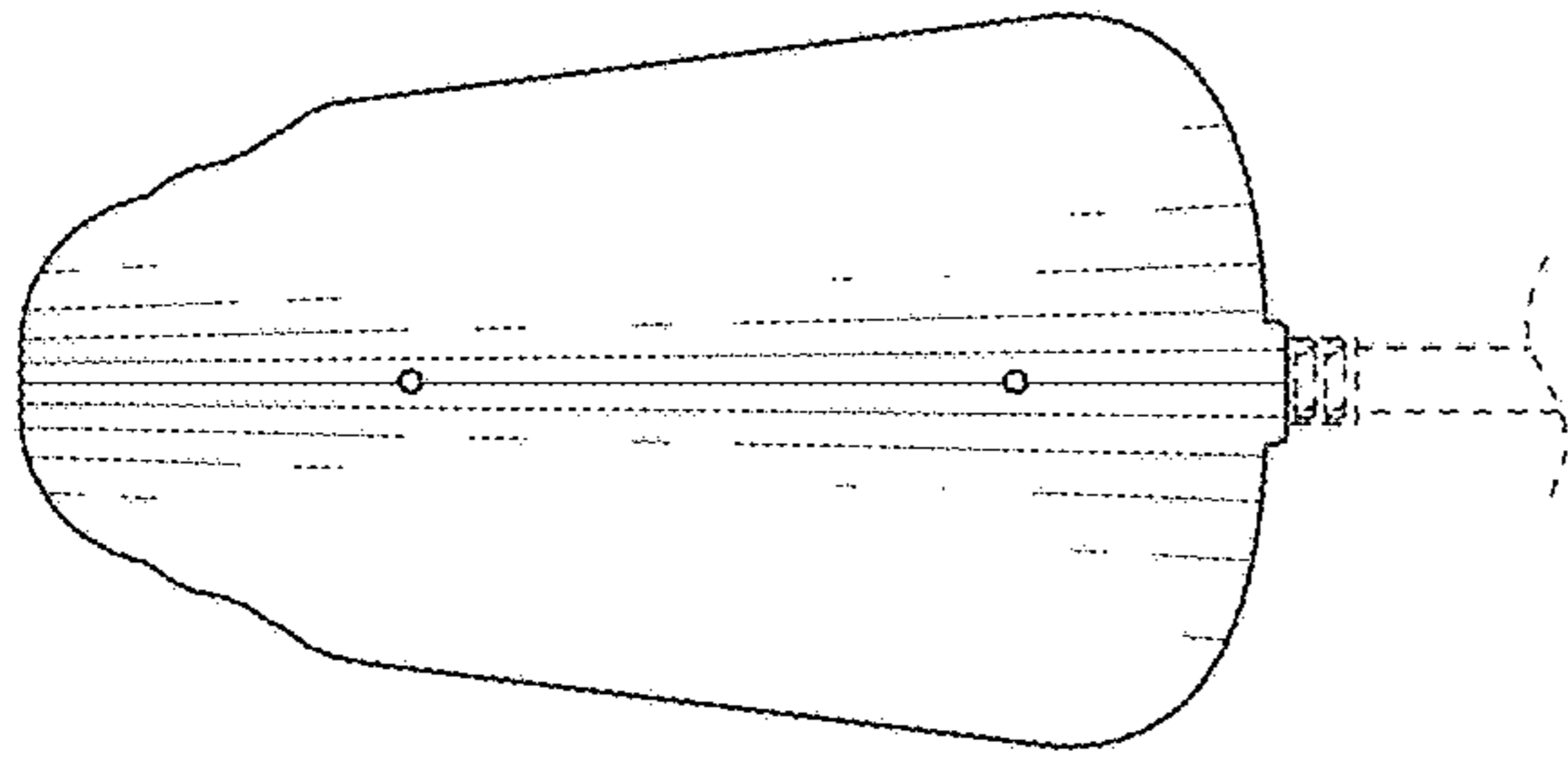
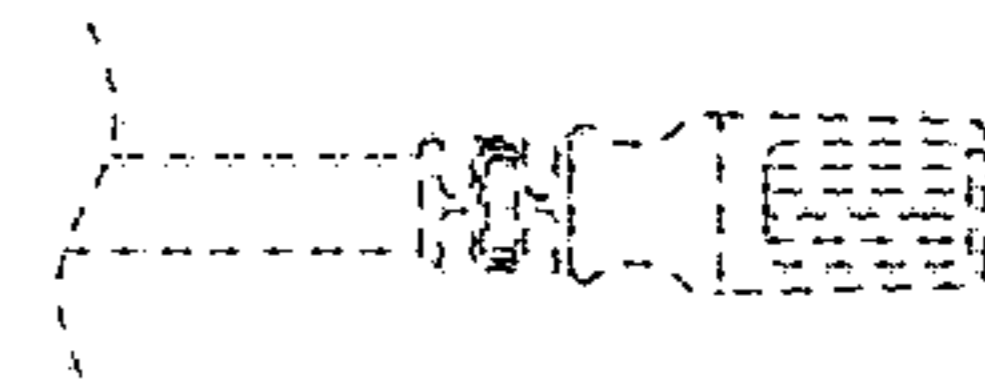
**FIG. 23**



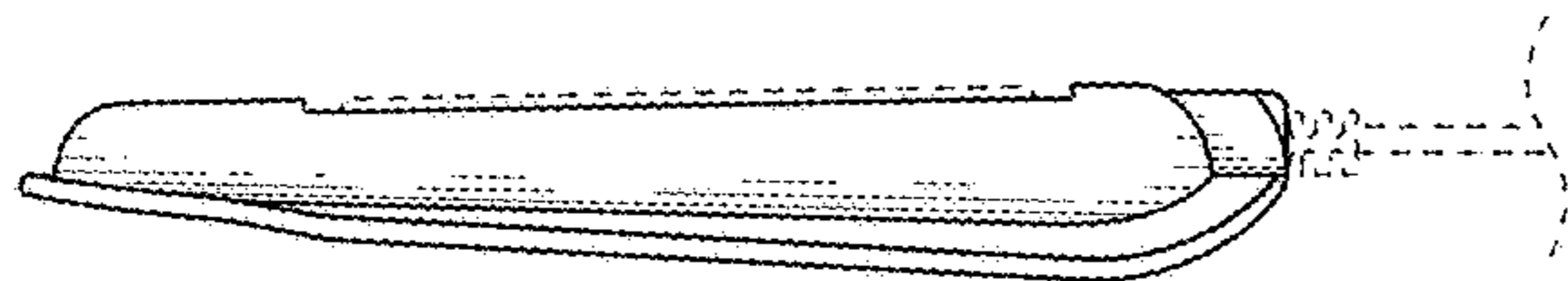
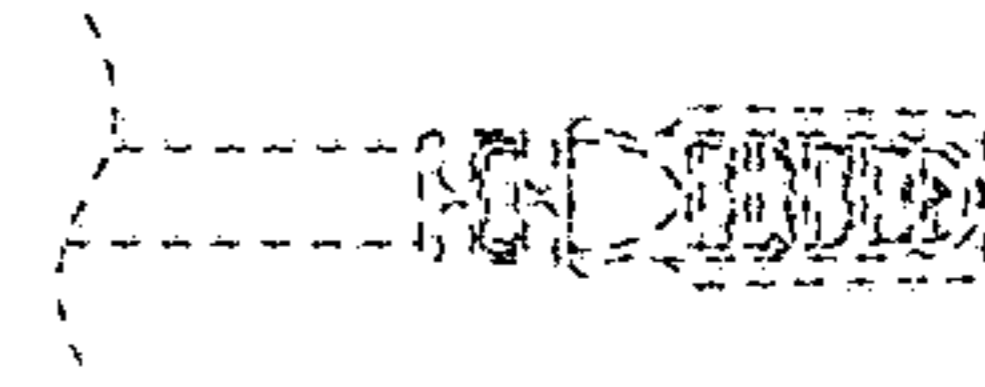
**FIG. 24**



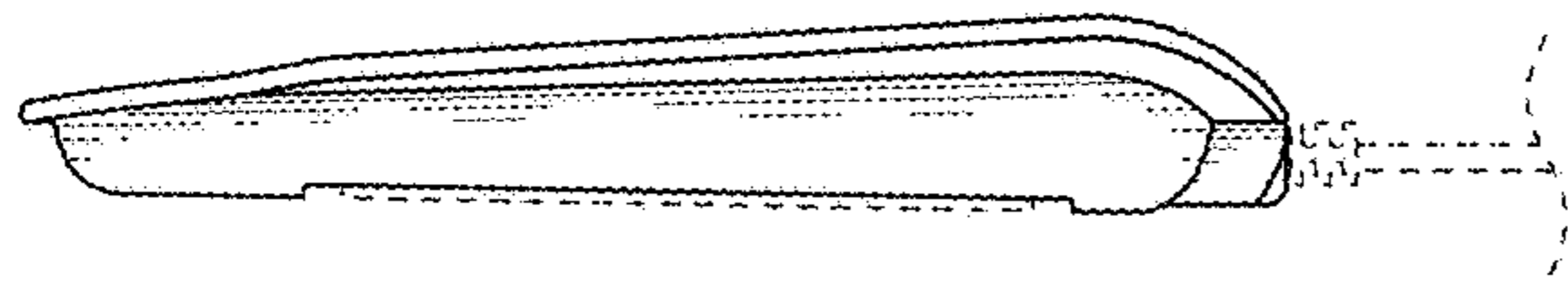
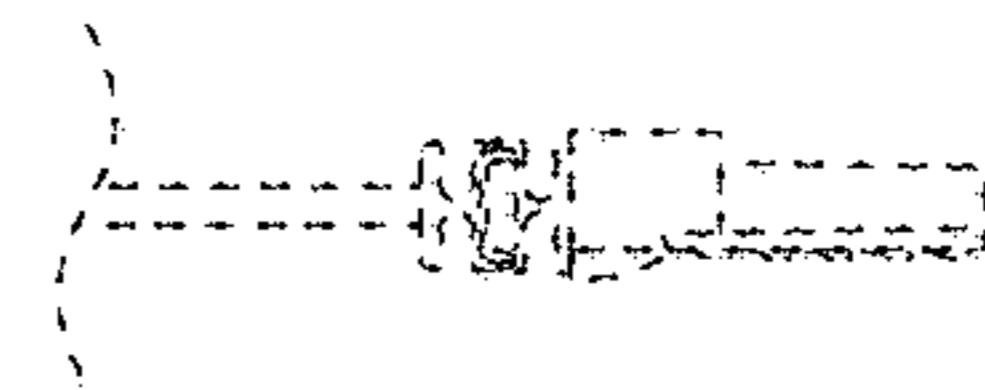
**FIG. 25**



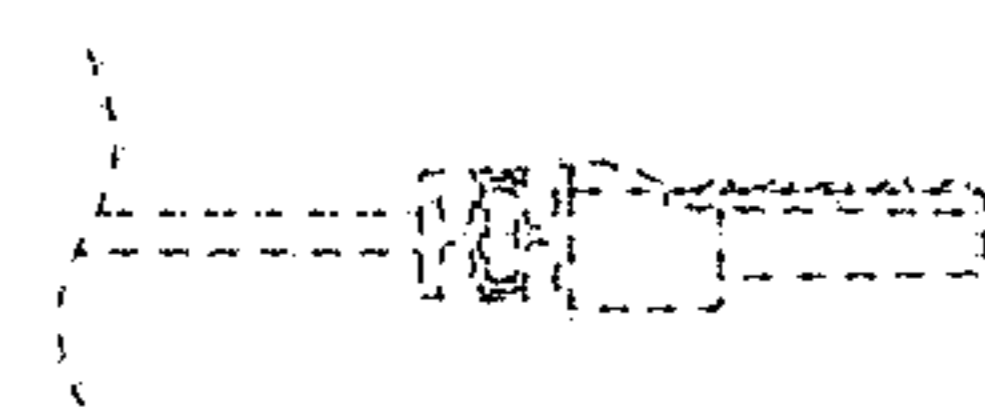
**FIG. 26**



**FIG. 27**

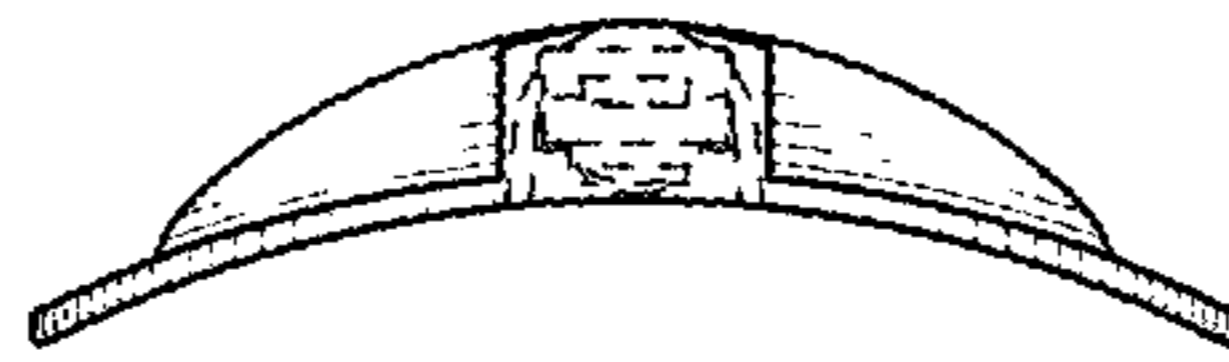


**FIG. 28**





**FIG. 29**



**FIG. 30**

UNITED STATES PATENT AND TRADEMARK OFFICE  
**CERTIFICATE OF CORRECTION**

PATENT NO. : D772,537 S  
APPLICATION NO. : 29/515053  
DATED : November 29, 2016  
INVENTOR(S) : Lavin, Jr.

Page 1 of 1

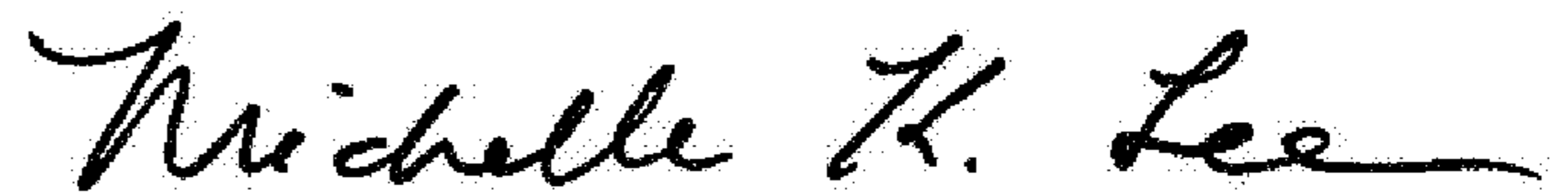
It is certified that error appears in the above-identified patent and that said Letters Patent is hereby corrected as shown below:

On the Title Page

Item (75) Inventor, should read:

--(75) Inventor: Edward F. Lavin, Jr. Houston, TX (US)--.

Signed and Sealed this  
Fourth Day of April, 2017



Michelle K. Lee  
*Director of the United States Patent and Trademark Office*