



US00D772531S

(12) **United States Design Patent**
Troia

(10) **Patent No.:** **US D772,531 S**

(45) **Date of Patent:** **** Nov. 29, 2016**

- (54) **TUBE ATTACHMENT FOR BRASSIERE**
- (71) Applicant: **Daborah M. Troia**, Roscoe, IL (US)
- (72) Inventor: **Daborah M. Troia**, Roscoe, IL (US)
- (**) Term: **14 Years**
- (21) Appl. No.: **29/523,283**
- (22) Filed: **Apr. 8, 2015**

Related U.S. Application Data

- (63) Continuation of application No. 13/565,207, filed on Aug. 2, 2012, now abandoned.
- (51) **LOC (10) Cl.** **02-01**
- (52) **U.S. Cl.**
USPC **D2/706**
- (58) **Field of Classification Search**
USPC D2/700, 701, 703, 705, 706, 707, 708, D2/709, 710, 736, 737; D11/86-88
CPC A41C 3/065; A41C 3/10; A41C 3/148; A41C 3/144; A61F 2013/15016; A41F 15/002; A41F 1/002; A41F 1/00; A44C 5/2042; A44C 5/2076; A44C 3/00; A44C 1/00; A44D 2203/00; A44B 1/04
See application file for complete search history.

(56) **References Cited**

U.S. PATENT DOCUMENTS

862,376	A	8/1907	Bachman	
D203,629	S *	2/1966	Brock D9/454
4,480,598	A *	11/1984	Berrigan F01P 11/029 123/41.27
5,054,143	A	10/1991	Javaher	
5,083,555	A	1/1992	Lewis	
5,092,019	A *	3/1992	Levy A44C 5/208 24/303
5,271,244	A *	12/1993	Staggs A47G 19/2288 62/457.3
5,317,789	A *	6/1994	Levy A44C 5/2042 24/303
5,807,160	A	9/1998	Wehmeyer	

5,909,821	A *	6/1999	Guridi B65D 81/3886 220/592
5,954,217	A *	9/1999	Brkovic B31B 7/00 215/12.1
6,102,772	A	8/2000	Fernandez	
6,769,955	B1	8/2004	Fisher	
7,001,239	B2	2/2006	Russell	
D518,735	S *	4/2006	Clamage D9/551
D555,067	S *	11/2007	Kruger D12/218
7,380,685	B2 *	6/2008	Simmons B65D 1/265 206/503
7,445,541	B2 *	11/2008	Patterson A41C 3/0064 2/463
7,690,088	B2 *	4/2010	Kogen A44C 5/2042 24/303
D623,717	S *	9/2010	Saur D22/108
D625,856	S *	10/2010	Franklin D26/22
D639,442	S *	6/2011	Chandler D24/190
D643,593	S *	8/2011	Robinson-Cruz D2/706
8,216,023	B2 *	7/2012	Donnelly A41C 3/0021 450/54
8,739,371	B2 *	6/2014	Fiedler A45C 13/1069 24/303
8,845,388	B1 *	9/2014	Dempsey A41C 3/005 450/54

* cited by examiner

Primary Examiner — Karen E Eldridge Powers
(74) *Attorney, Agent, or Firm* — Robert C. Montgomery;
Montgomery Patent & Design LP

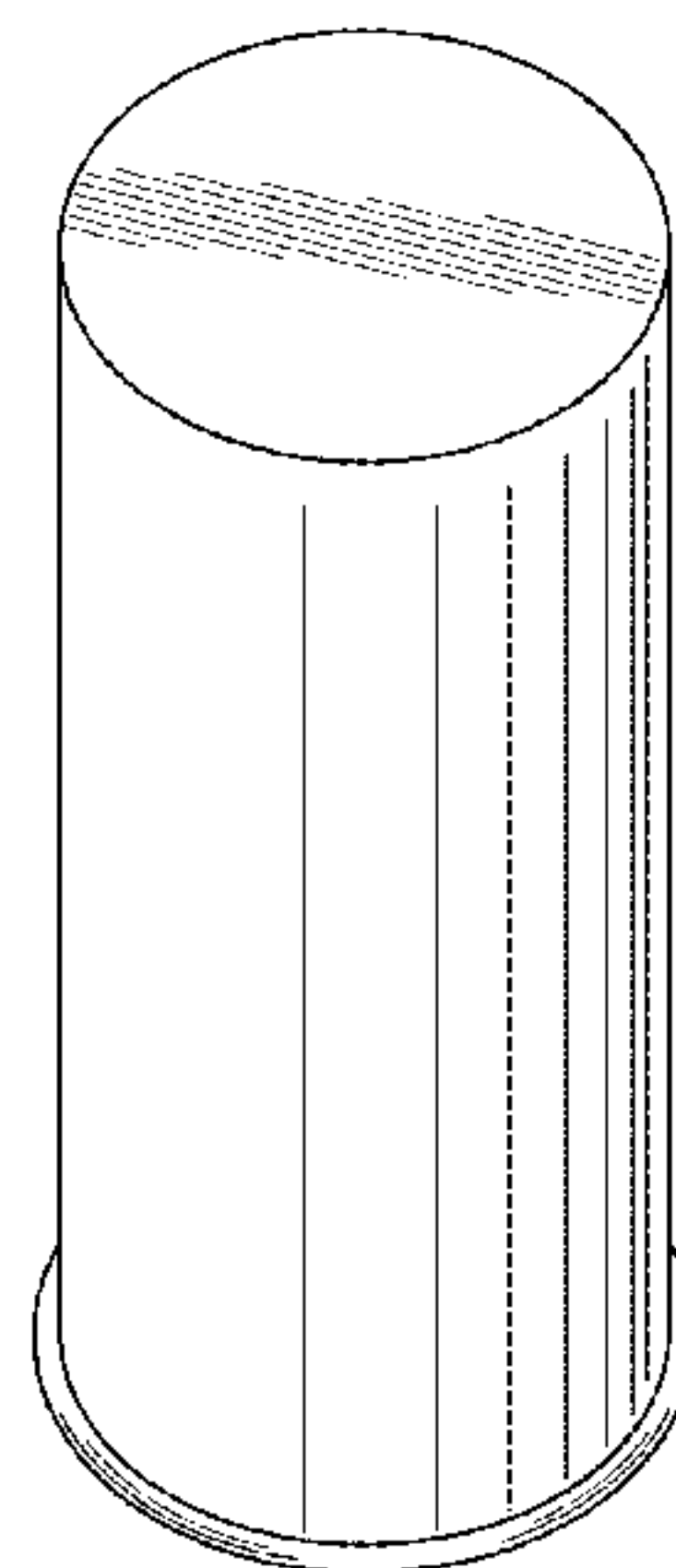
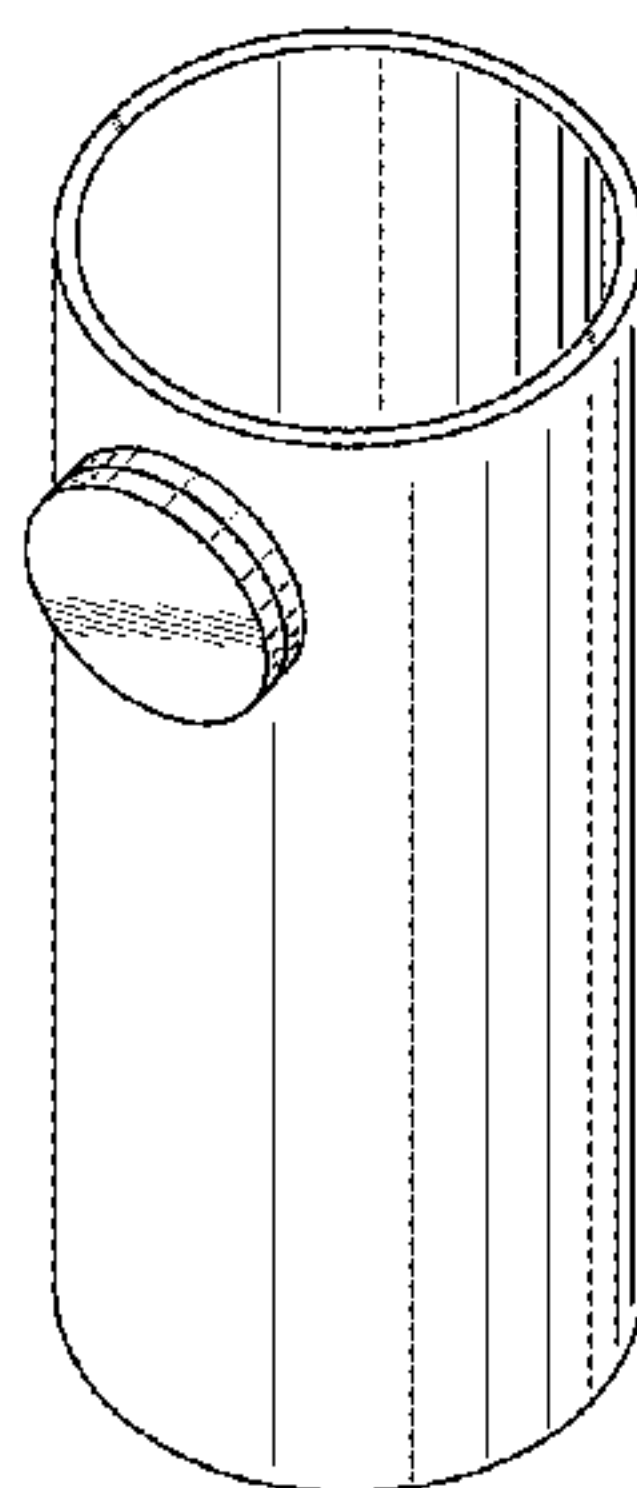
(57) **CLAIM**

The ornamental design for a tube attachment for a brassiere, as shown and described.

DESCRIPTION

FIG. 1 is a perspective front view of the tube attachment for brassiere, showing my new design;
FIG. 2 is a front elevation view thereof;
FIG. 3 is a rear elevation view thereof;
FIG. 4 is a left side elevation view with the right side elevation view being a mirror image thereof;
FIG. 5 is a top plan view thereof; and,
FIG. 6 is a bottom plan view thereof.

1 Claim, 6 Drawing Sheets



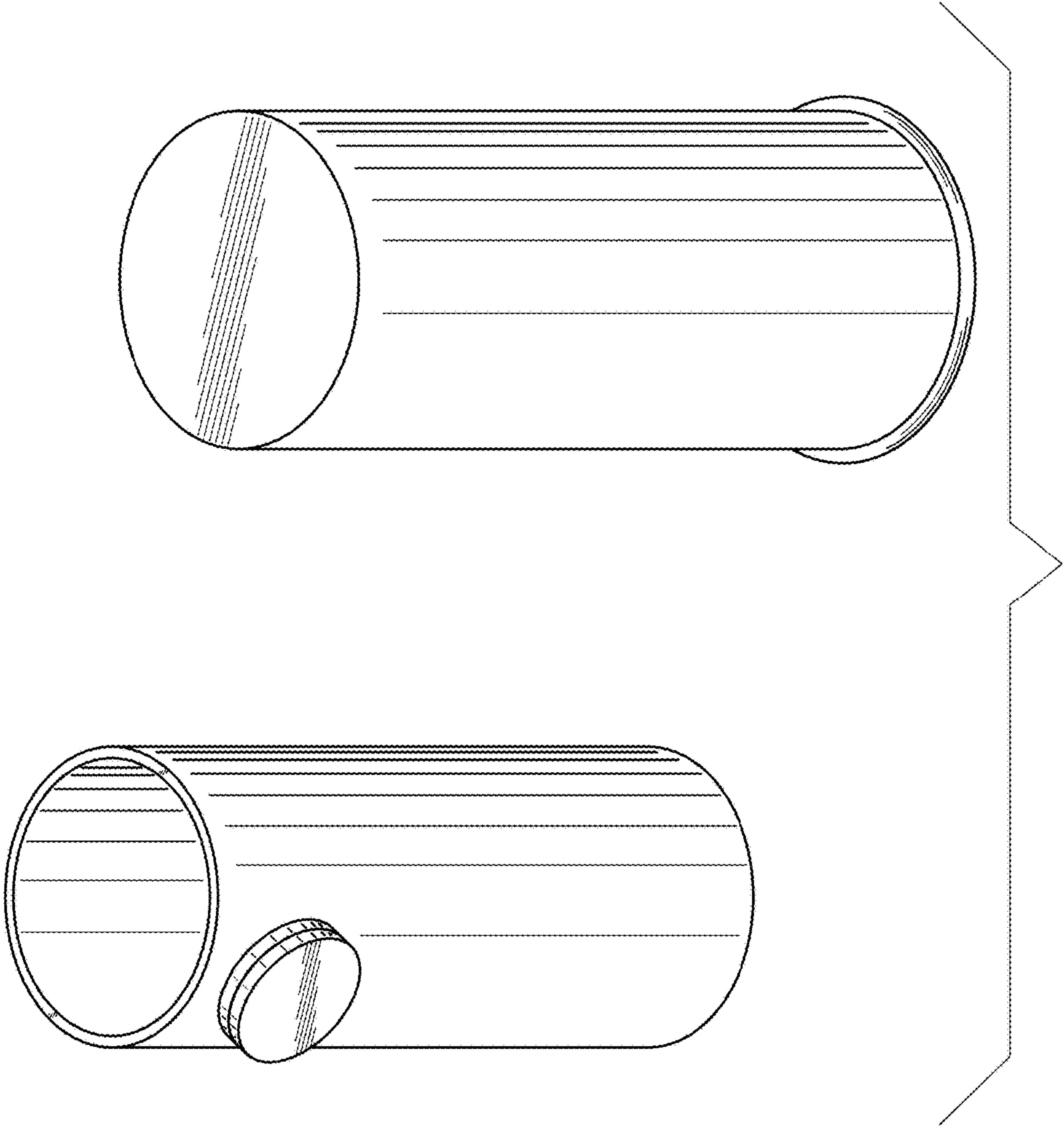


FIG. 1

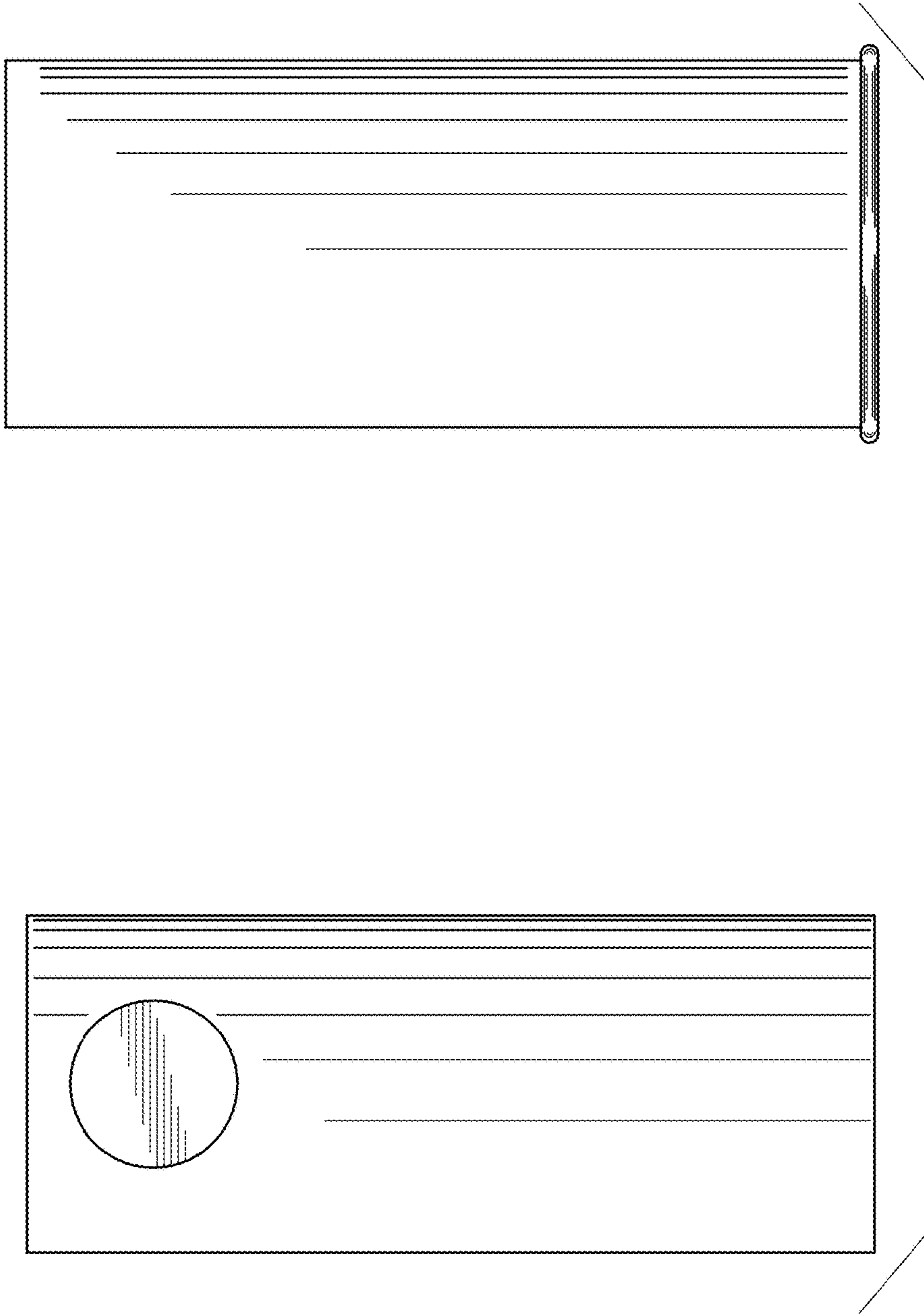


FIG. 2

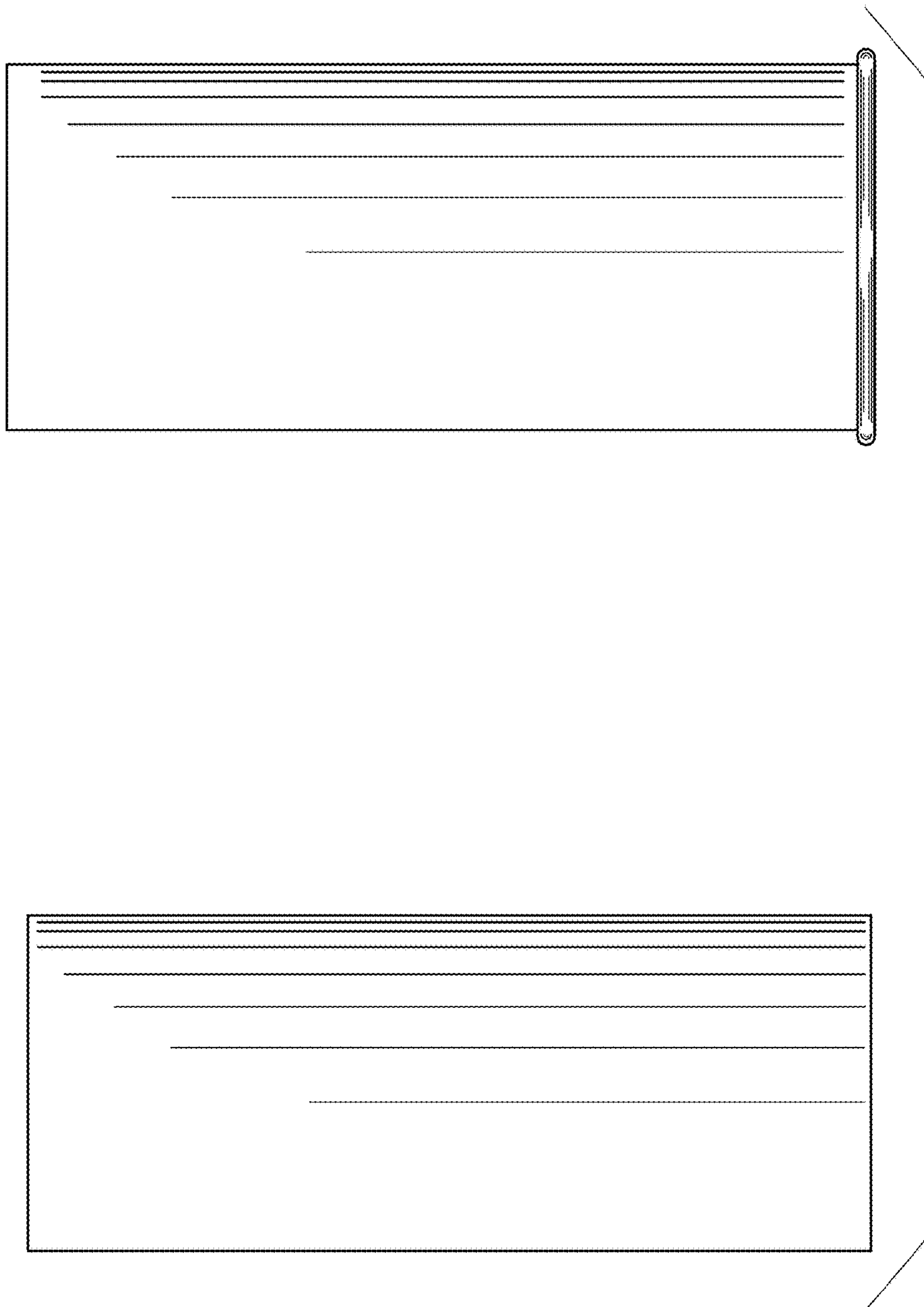


FIG. 3

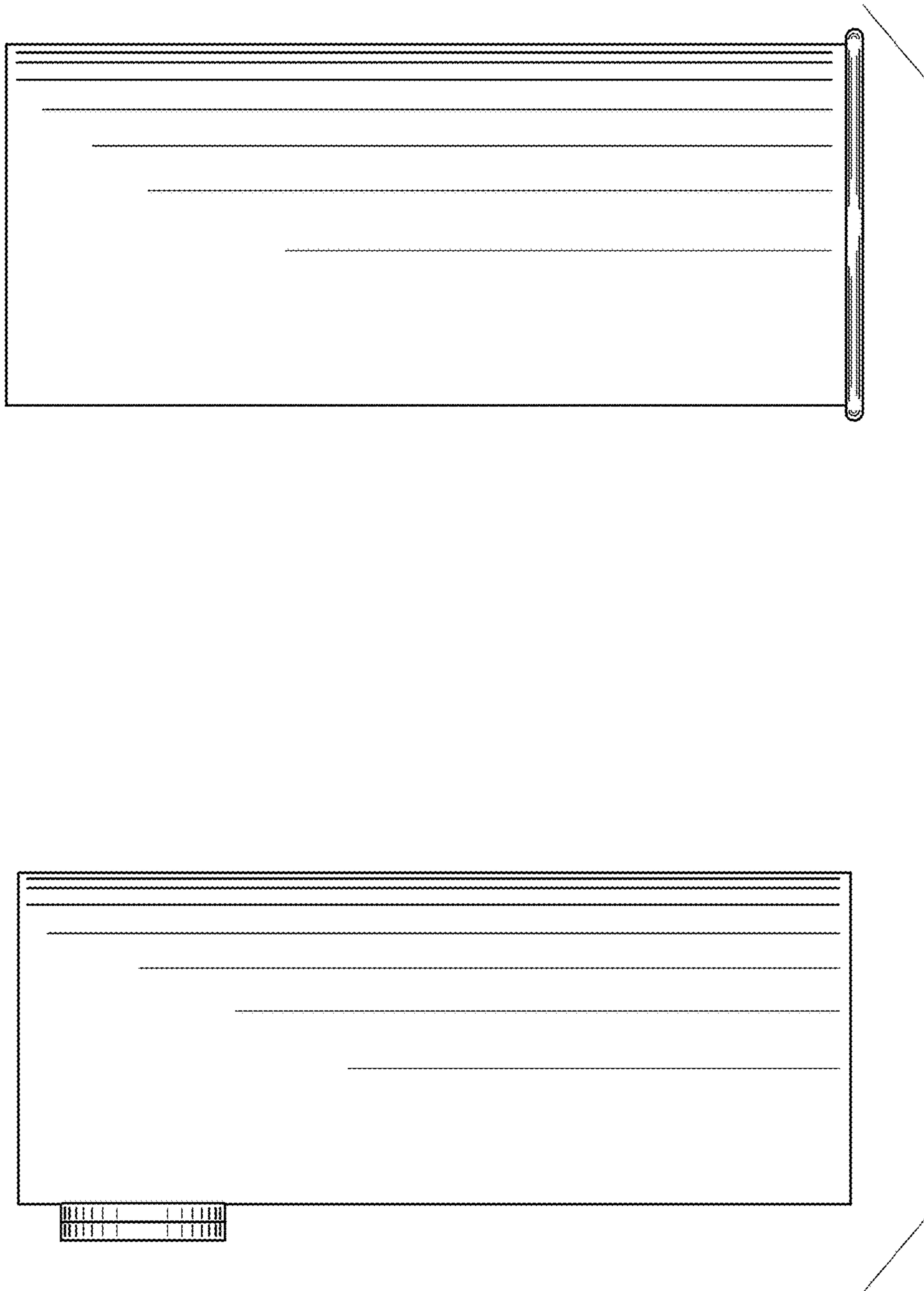


FIG. 4

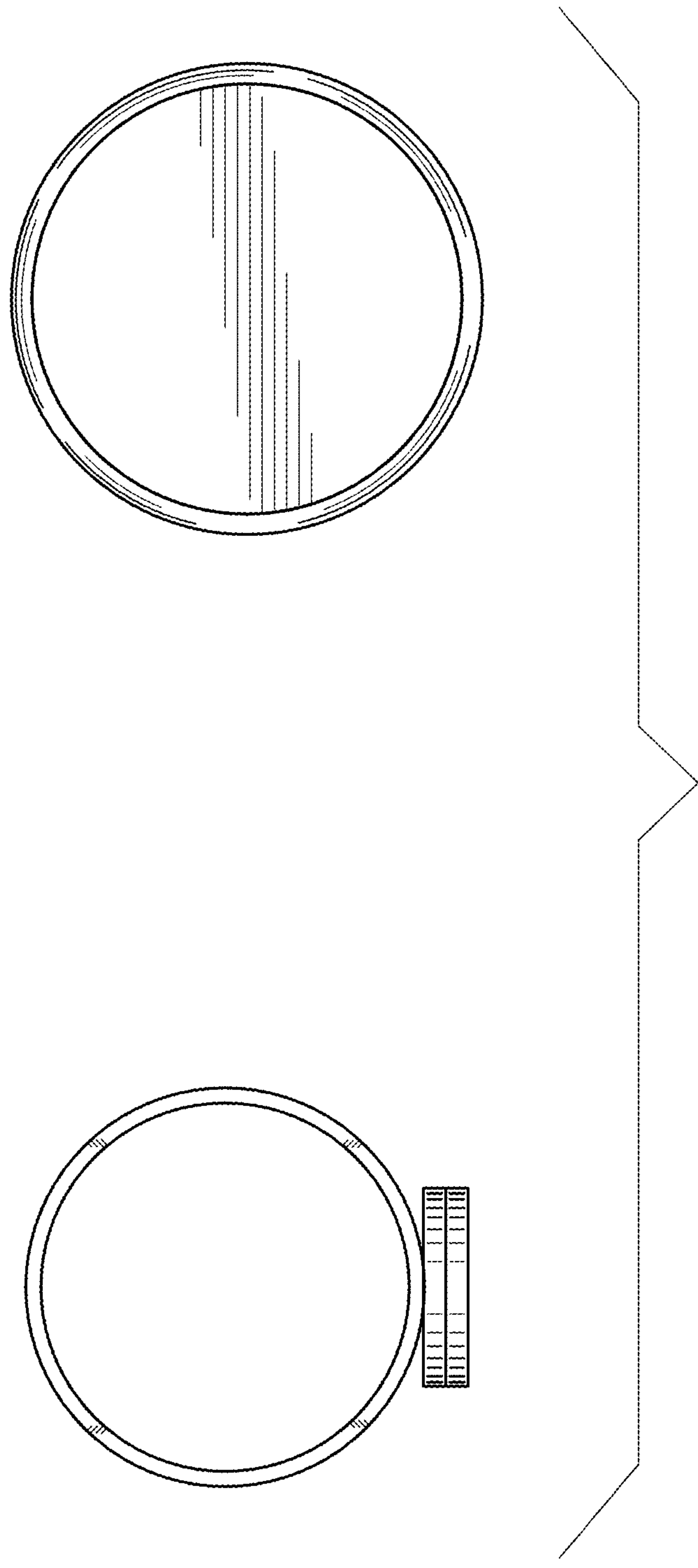


FIG. 5

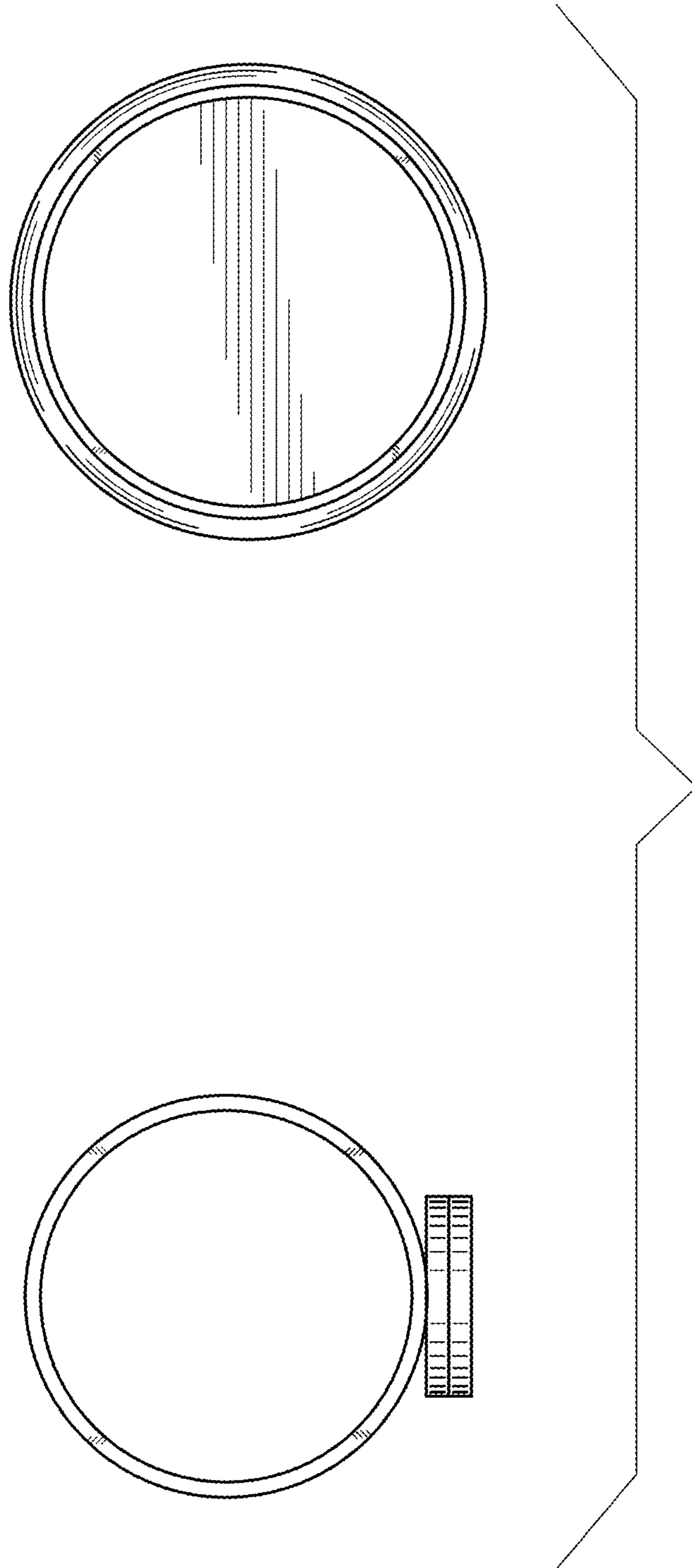


FIG. 6