



US00D772529S

(12) **United States Design Patent** (10) **Patent No.:** **US D772,529 S**
Sekhon (45) **Date of Patent:** **** Nov. 29, 2016**

(54) **GLOVE**
(71) Applicant: **Ramanpreet Singh Sekhon**, Fresno, CA (US)
(72) Inventor: **Ramanpreet Singh Sekhon**, Fresno, CA (US)
(**) Term: **15 Years**
(21) Appl. No.: **29/539,641**
(22) Filed: **Sep. 16, 2015**

4,519,097 A 5/1985 Chappell
4,599,920 A 7/1986 Schmid
4,771,482 A 9/1988 Shlenker

(Continued)

FOREIGN PATENT DOCUMENTS

AT 457138 T 2/2010
CA 2610751 A1 1/2007

(Continued)

OTHER PUBLICATIONS

International Search Report for PCT/US2015/050017, Dec. 4, 2015.

Primary Examiner — Cynthia Ramirez
Assistant Examiner — Michael Maharajh
(74) *Attorney, Agent, or Firm* — Hankin Patent Law, APC; Jimmy Sauz; Kevin Schraven

(57) **CLAIM**
The ornamental design for a glove, as shown and described.

DESCRIPTION

FIG. 1 is a top perspective view of a glove, showing my new design.
FIG. 2 is a bottom perspective view thereof.
FIG. 3 is a top plan view thereof.
FIG. 4 is a bottom plan view thereof
FIG. 5 is a rear elevational view thereof
FIG. 6 is a front elevational view thereof
FIG. 7 is a right side elevational view thereof.
FIG. 8 is a left side elevational view thereof; and,
FIG. 9 is another top perspective view thereof.
The broken lines showing the stitching, the texture of the upper knuckle and the finger portions of the glove in FIGS. 1-9 are for the purpose of illustrating portions of the glove and form no part of the claimed design. The broken lines showing a right hand glove in FIG. 9 is for the purpose of illustrating environmental structure and forms no part of the claimed design.

1 Claim, 9 Drawing Sheets

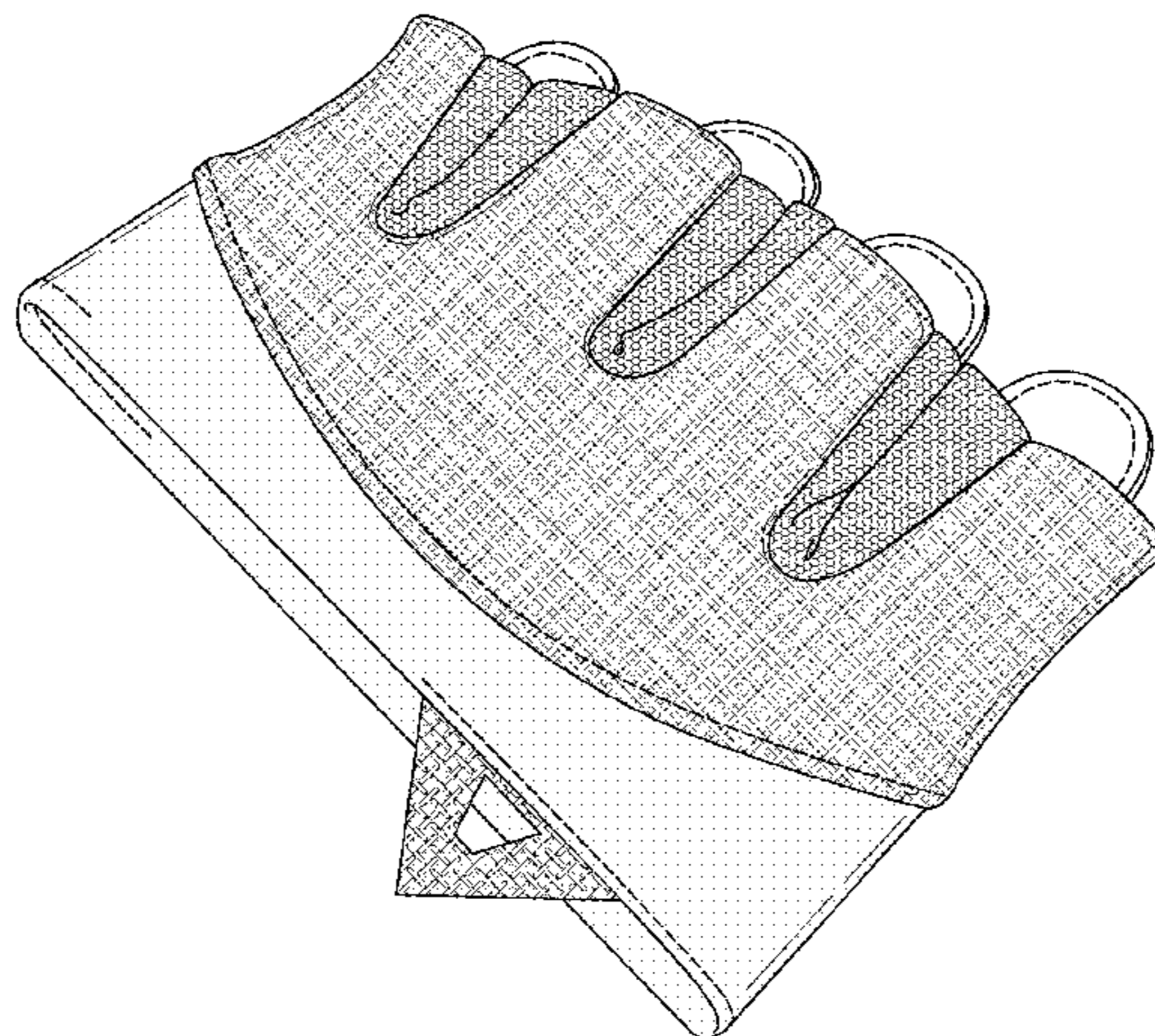
Related U.S. Application Data

(63) Continuation-in-part of application No. 14/488,585, filed on Sep. 17, 2014.
(51) **LOC (10) Cl.** **02-06**
(52) **U.S. Cl.**
USPC **D2/617**
(58) **Field of Classification Search**
USPC 2/159, 161.1-161.8, 162, 198, 170, 2/455, 908, 917; D29/113, 116.2, 117.2, D29/119; D21/807; D32/41, 42, 43; D2/610-623
CPC A41D 19/00; A41D 19/0041; A41D 19/05194; A63B 31/02
See application file for complete search history.

(56) **References Cited**

U.S. PATENT DOCUMENTS

1,362,461 A 12/1920 Anast
1,479,771 A 6/1922 Campbell
1,437,310 A 11/1922 Ingram
1,607,022 A 11/1926 Swinburne
1,954,262 A 1/1933 Potter
D115,171 S 2/1939 O'Leary
2,270,882 A 1/1942 Link
2,314,545 A 3/1943 Lindfelt
3,368,811 A 2/1968 Finney
3,501,773 A 3/1970 Stansberry
3,520,539 A 7/1970 Haws



(56)

References Cited

U.S. PATENT DOCUMENTS

4,873,998 A 10/1989 Joyner
 4,919,966 A 4/1990 Shlenker
 4,935,260 A 6/1990 Shlenker
 5,088,121 A 2/1992 Wallace
 5,173,963 A 12/1992 Greenberg
 5,218,719 A 6/1993 Johnson
 D358,687 S 5/1995 Kim
 5,459,879 A 10/1995 Fuchs
 5,459,883 A 10/1995 Garceau-Verbeck
 5,479,660 A 1/1996 Najac
 5,483,697 A 1/1996 Fuchs
 5,500,956 A 3/1996 Schulkin
 5,528,772 A 6/1996 Cheek
 5,549,924 A 8/1996 Shlenker
 5,600,853 A 2/1997 Yewer
 5,679,399 A 10/1997 Shlenker
 5,768,704 A 6/1998 Greenhalgh
 5,768,709 A * 6/1998 Newkirk A01K 13/00
 119/600
 5,781,928 A 7/1998 Avila
 5,806,091 A 9/1998 McHugh
 5,867,868 A 2/1999 Ward
 5,965,276 A 10/1999 Shlenker
 6,035,443 A 3/2000 Green
 6,035,444 A 3/2000 McGrew
 6,098,200 A 8/2000 Minkow
 6,195,803 B1 * 3/2001 Russell A41D 13/082
 2/159
 6,209,137 B1 4/2001 Wallick
 6,282,802 B1 9/2001 Iden
 6,289,517 B1 9/2001 Minkow
 6,341,376 B1 1/2002 Smerdon
 6,363,529 B1 4/2002 Bocook
 6,367,081 B1 4/2002 Harris
 6,389,596 B2 5/2002 LoMedico
 6,457,181 B1 10/2002 Grundy
 6,539,550 B1 4/2003 Flores
 6,618,860 B1 9/2003 Sullivan
 6,704,939 B2 3/2004 Faulconer
 6,832,391 B1 12/2004 Bower
 6,895,598 B1 5/2005 Sokolowski
 6,988,295 B2 1/2006 Tillim
 7,210,172 B2 5/2007 Adams, Jr.
 D580,599 S 11/2008 Marino

7,469,426 B2 12/2008 Roeckl
 7,506,409 B2 3/2009 Tillim
 D596,807 S 7/2009 Walding
 D596,828 S 7/2009 Sofer
 7,620,999 B2 11/2009 Winningham
 7,712,153 B2 5/2010 Adams, Jr.
 7,895,671 B2 3/2011 Salomon
 RE42,895 E 11/2011 Thiruppathi
 D651,360 S 12/2011 Fittry
 D652,607 S 1/2012 Robbins
 2003/0074713 A1 4/2003 Zuckerwear
 2005/0028244 A1 2/2005 Roeckl
 2007/0028357 A1 2/2007 Adams, Jr.
 2007/0199131 A1 8/2007 Adams, Jr.
 2007/0226872 A1 10/2007 Huh
 2009/0307824 A1 12/2009 Roeckl
 2011/0258753 A1 * 10/2011 Jacque A41D 19/0157
 2/160
 2012/0017351 A1 1/2012 McCrane
 2012/0229270 A1 * 9/2012 Morley A61B 5/6806
 340/539.12
 2014/0051320 A1 * 2/2014 Hormel A63H 3/14
 446/72
 2014/0215685 A1 8/2014 Bush et al.
 2014/0250565 A1 * 9/2014 Willows A41D 19/002
 2/160
 2015/0272290 A1 * 10/2015 Baum A45F 5/00
 224/217
 2016/0074740 A1 * 3/2016 Sekhon A63B 71/141
 2/161.1
 2016/0175683 A1 * 6/2016 Carroll-James A63B 71/06
 700/91

FOREIGN PATENT DOCUMENTS

DE 20310088 U1 9/2003
 DK 1493345 T3 5/2010
 EP 1493345 A1 1/2005
 EP 1919571 A2 5/2008
 EP 1493345 B1 2/2010
 EP 2409738 A2 1/2012
 KR 10-20130002847 A 1/2013
 WO 2007011828 A2 1/2007
 WO 2007011828 A3 1/2007
 WO 2014120531 A1 8/2014

* cited by examiner

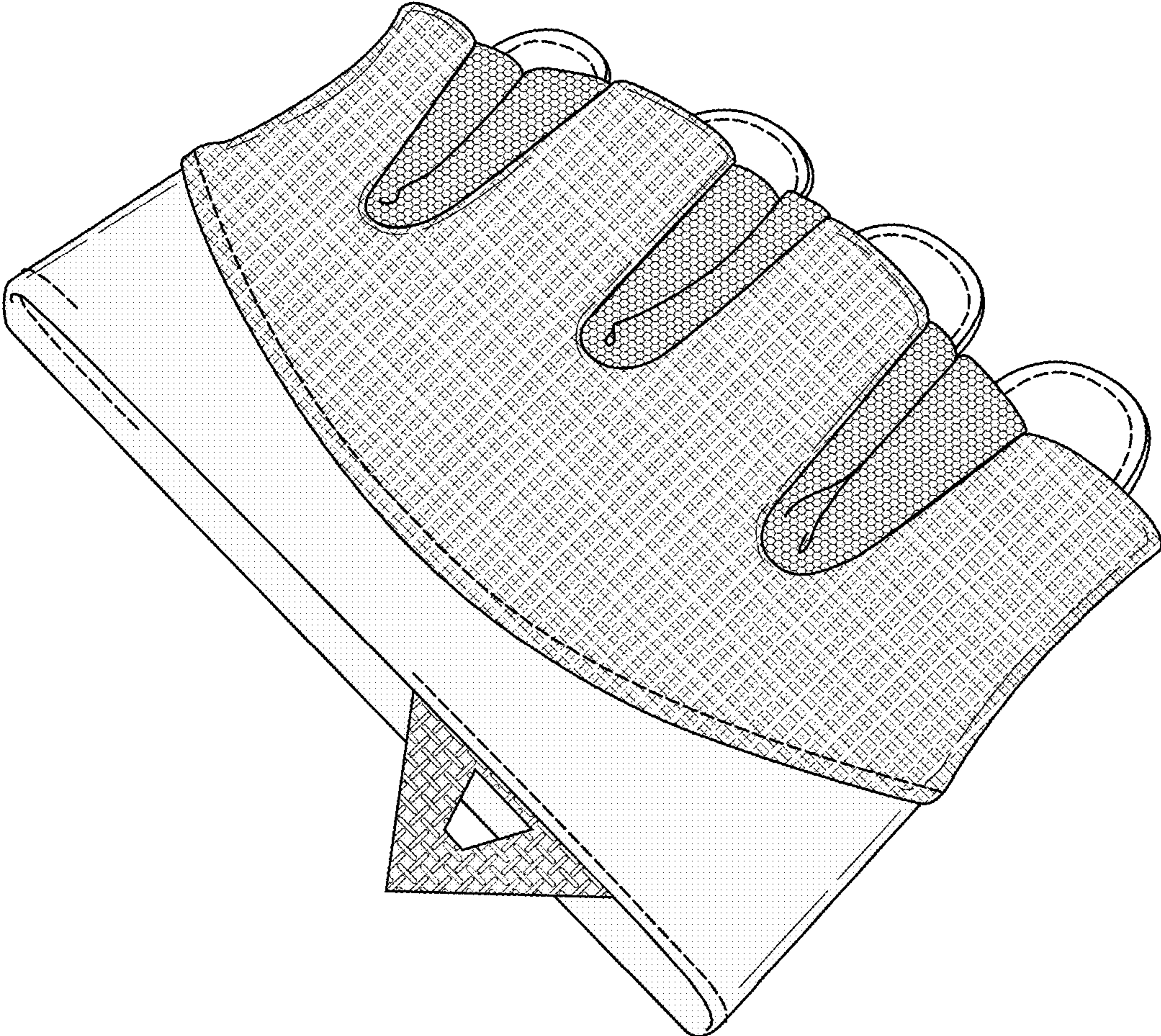


Fig. 1

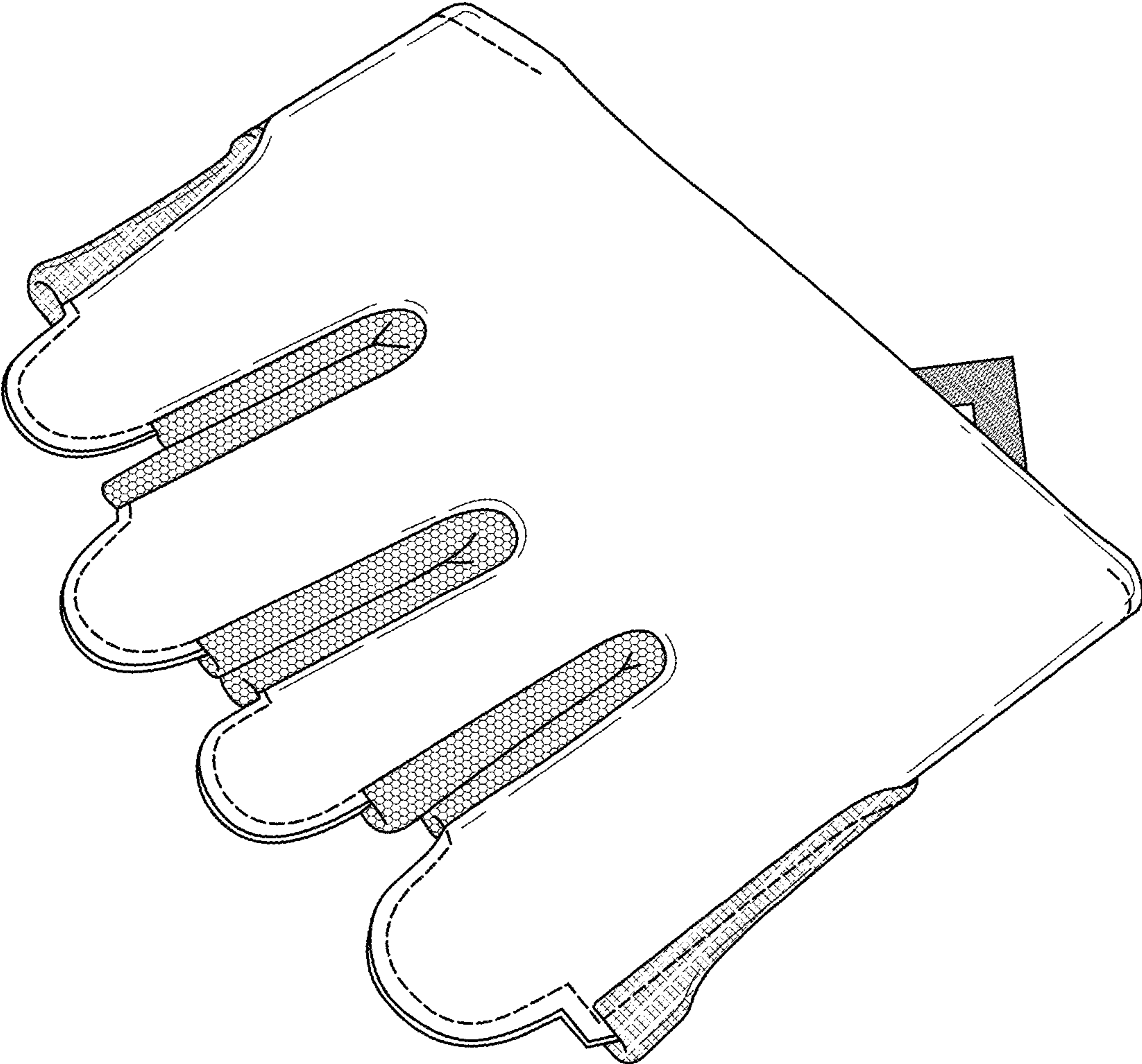


Fig. 2

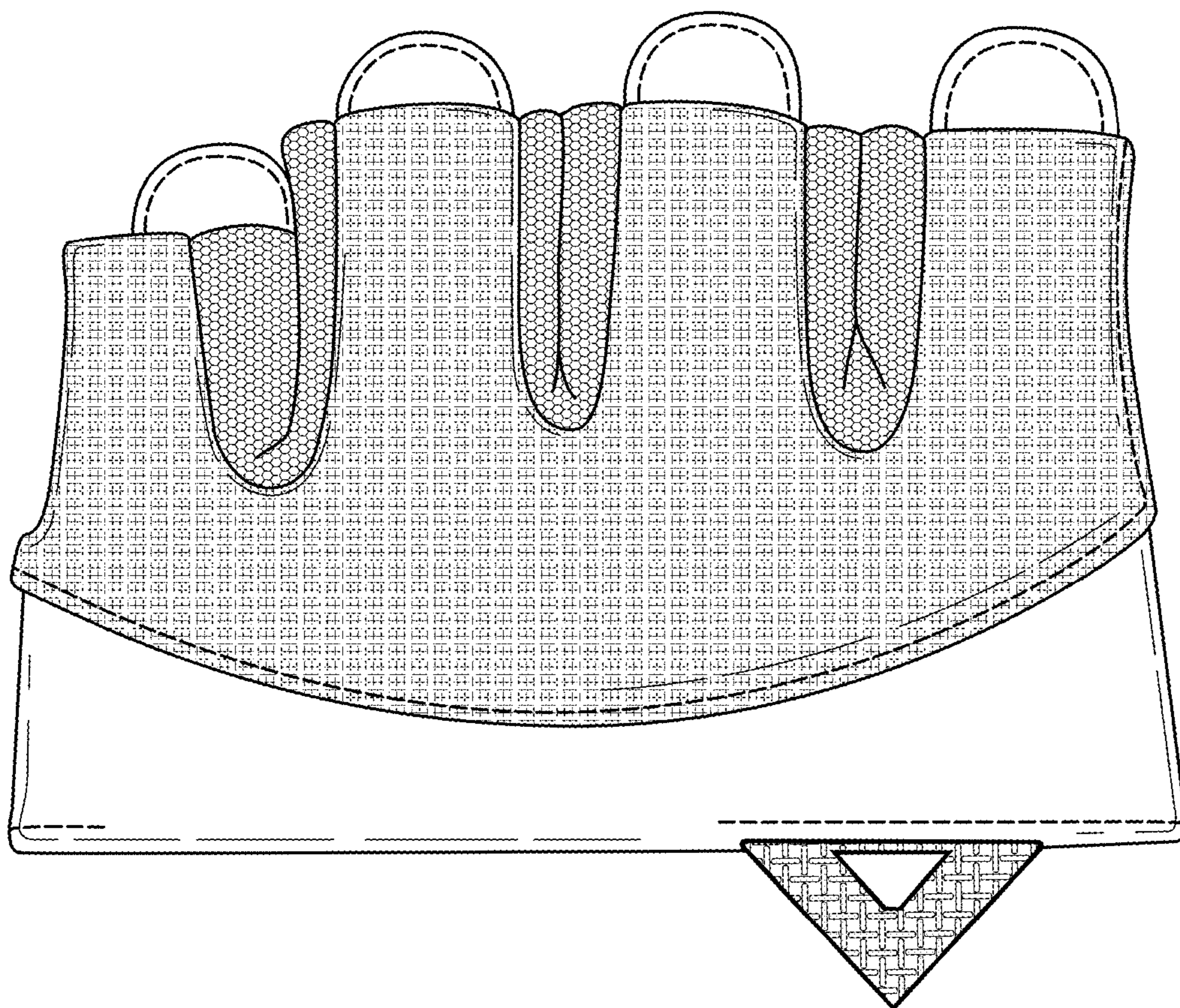


Fig. 3

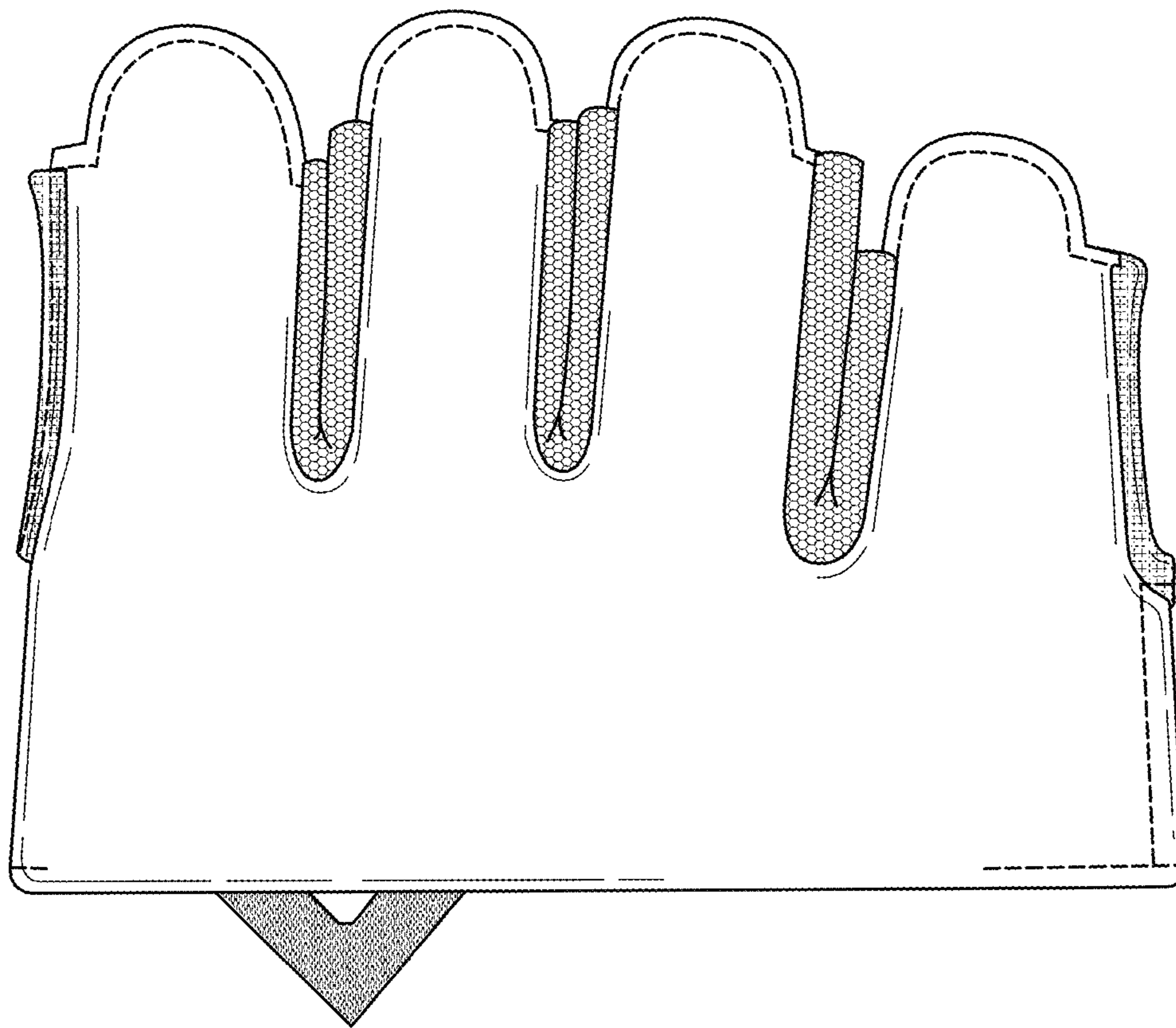


Fig. 4

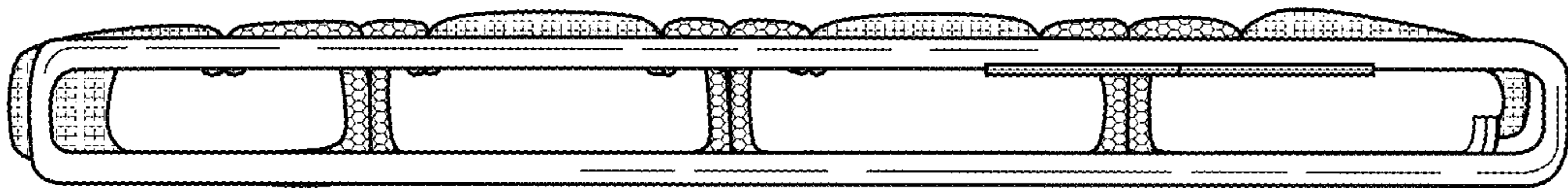


Fig. 5

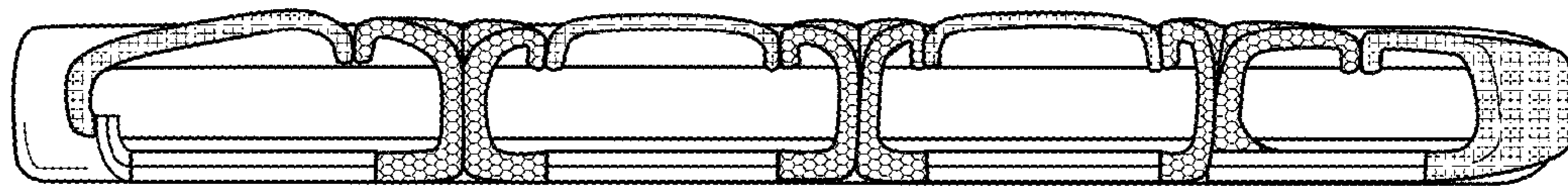


Fig. 6

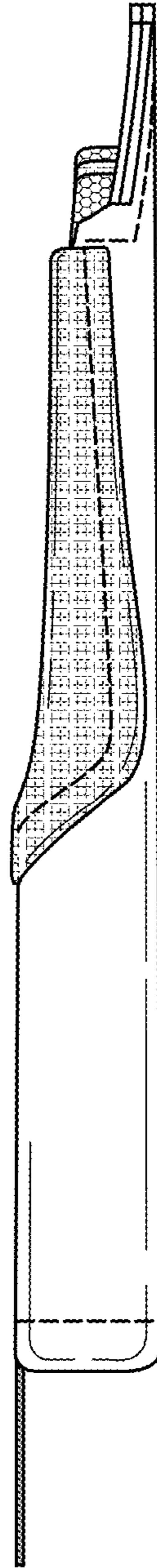


Fig. 7

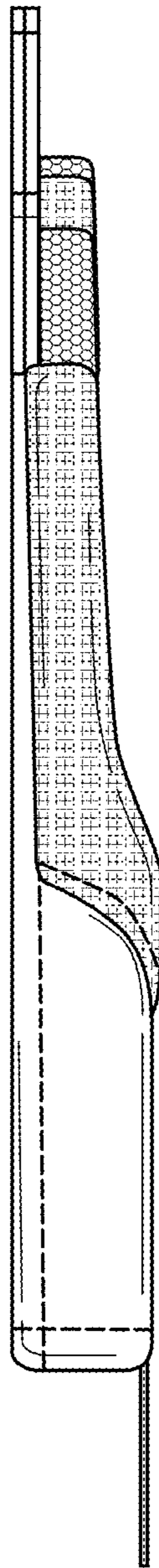


Fig. 8

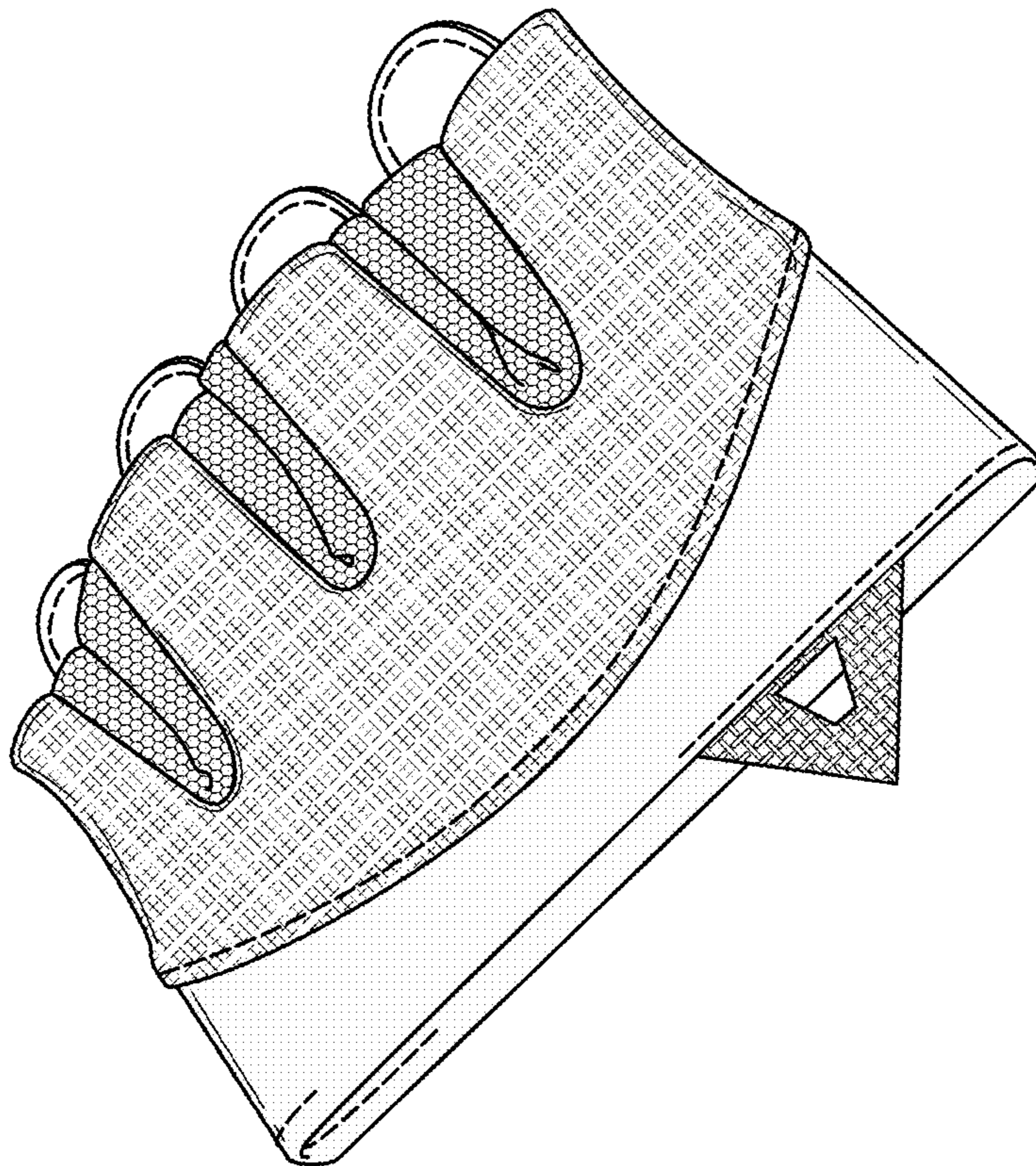
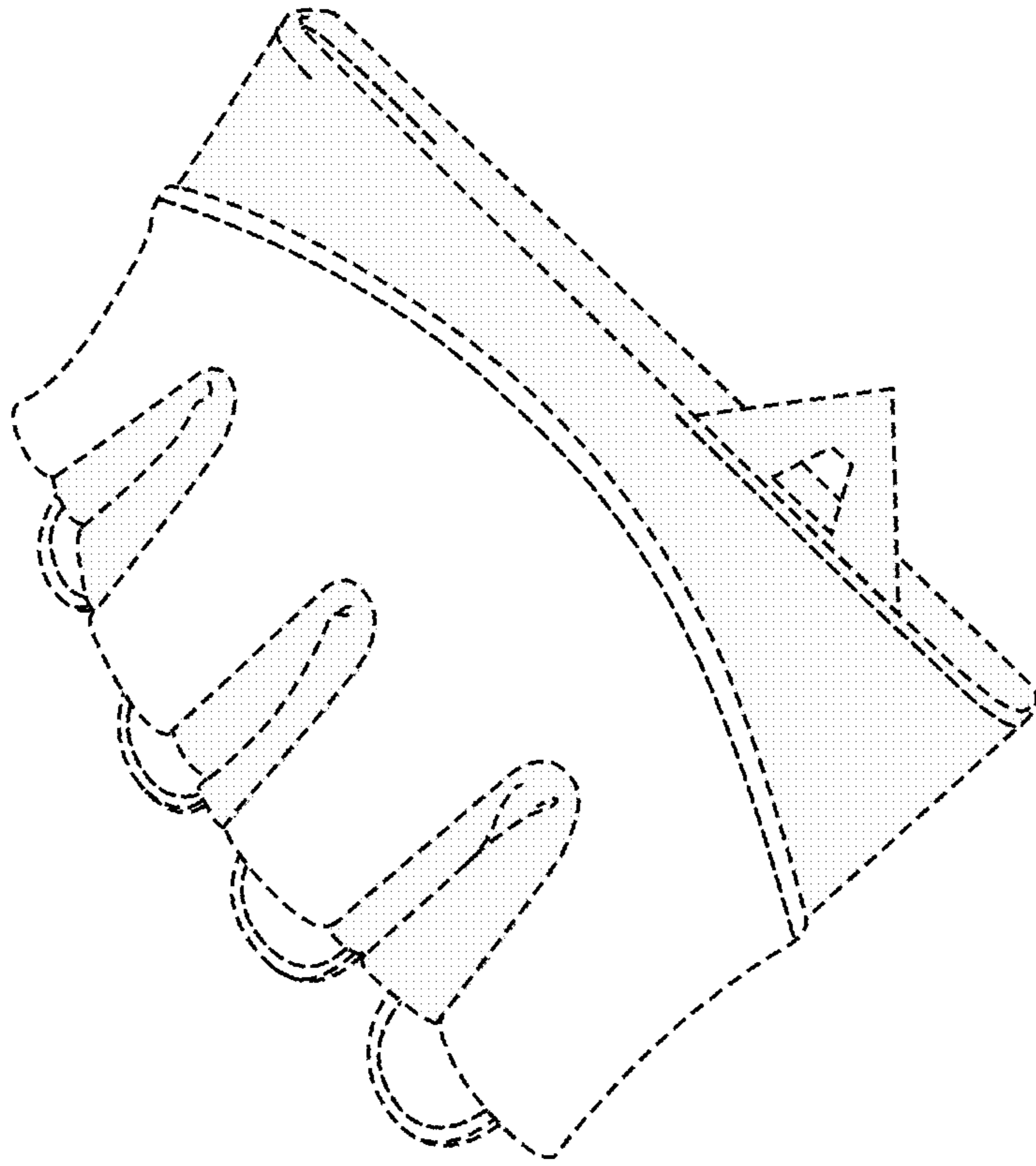


Fig. 9