



US00D772522S

(12) **United States Design Patent** (10) **Patent No.:** **US D772,522 S**  
**Henderson et al.** (45) **Date of Patent:** **\*\* Nov. 22, 2016**

(54) **LOCK BOX**

(56) **References Cited**

(71) Applicant: **THE DRUCKER COMPANY**,  
Philipsburg, PA (US)  
(72) Inventors: **Anthony J. Henderson**, State College,  
PA (US); **Kenneth Moscone, Sr.**, Port  
Matilda, PA (US); **Kenneth Moscone,  
Jr.**, Port Matilda, PA (US); **Mathew T.  
Samperi**, Boxborough, MA (US); **Craig  
Stout**, Port Matilda, PA (US); **Jason A.  
Stout**, State College, PA (US)  
(73) Assignee: **The Drucker Company**, Philipsburg,  
PA (US)

U.S. PATENT DOCUMENTS

746,205	A	12/1903	Valentine	
928,483	A *	7/1909	Wakeman	..... E05B 47/0002 109/45
D273,908	S	5/1984	Hoogveen	
D289,582	S	5/1987	Brush, Jr. et al.	
D291,139	S	7/1987	Warwicker	
4,744,445	A	5/1988	Anderson et al.	
D376,246	S *	12/1996	Sugawara	..... D99/28
D393,526	S	4/1998	Robey et al.	
D474,596	S	5/2003	Osiecki et al.	
D490,206	S	5/2004	Perella et al.	
D493,936	S	8/2004	Perella et al.	
D503,024	S	3/2005	Perella et al.	
D503,503	S	3/2005	Perella et al.	

(\*\*) Term: **15 Years**

(Continued)

(21) Appl. No.: **29/537,571**

*Primary Examiner* — Elizabeth J Oswecki

(22) Filed: **Aug. 27, 2015**

(74) *Attorney, Agent, or Firm* — McNees Wallace &  
Nurick LLC

(51) **LOC (10) Cl.** ..... **99-00**

(52) **U.S. Cl.**  
USPC ..... **D99/28**

(57) **CLAIM**

The ornamental design for a lock box, as shown and described.

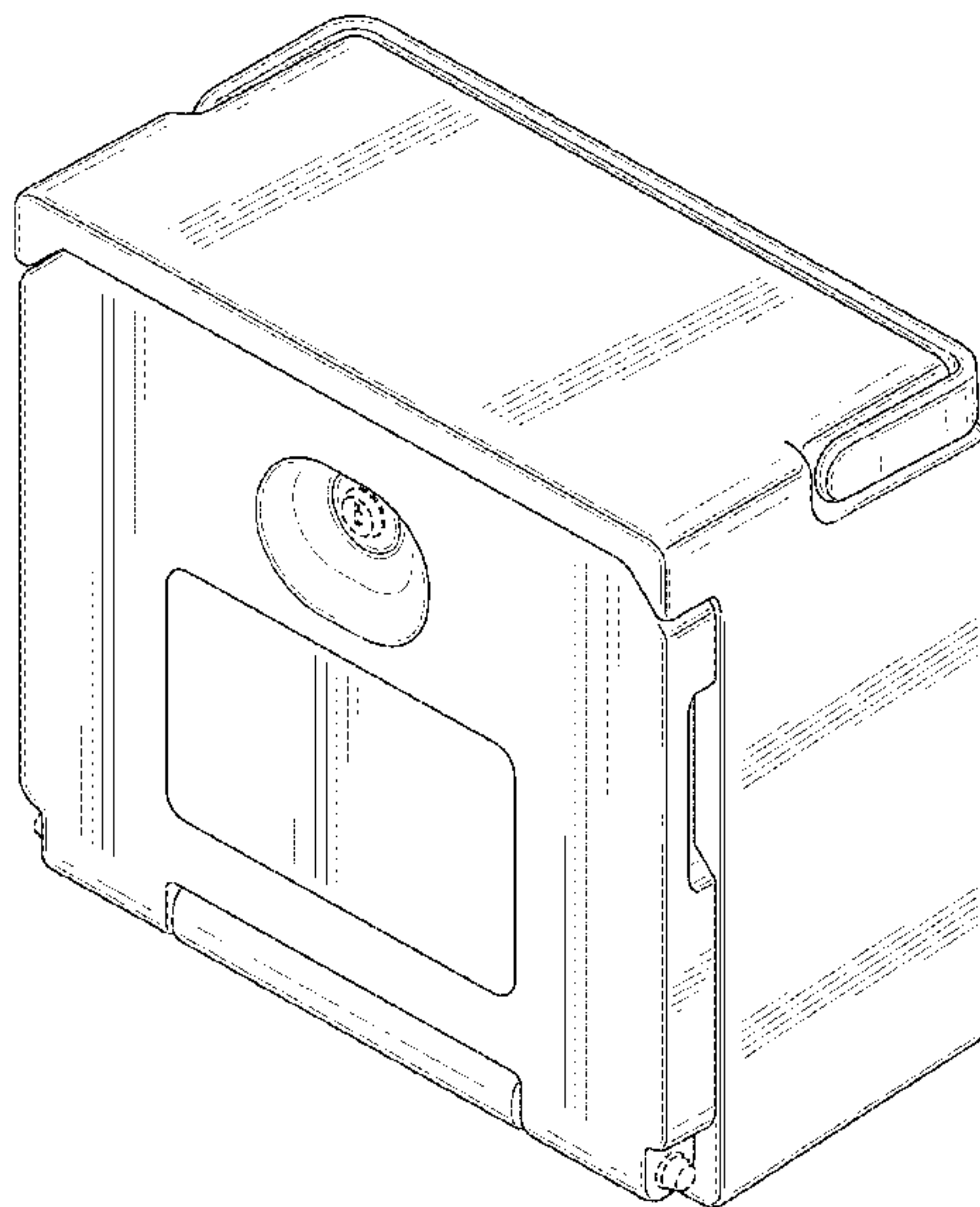
(58) **Field of Classification Search**  
USPC ..... D99/28, 34, 35, 36, 37, 43, 99  
CPC ..... A45C 1/12; A45C 2001/125; A45C  
2001/102; A45C 2001/104; A45C 2001/006;  
A45C 2001/003; A45C 2001/105; A45C  
2001/107; E05G 1/00; E05G 1/005; E05G  
1/024; E05G 1/026; E05G 5/00; E05G 7/00;  
E05G 7/001; E05G 2700/00; E05G 2700/002;  
B63C 7/30; G07D 9/00; G07D 9/002;  
G07D 9/004; G07D 9/006; G07D 9/008;  
G07D 9/02; G07D 9/04; G07D 9/06; G07D  
9/065; G07D 11/00; G07D 11/0021; G07D  
13/00; G07D 2201/00; G07D 2211/00;  
G07F 9/06; G07F 9/08

**DESCRIPTION**

FIG. 1 is a top, front, left side perspective view of a lock box showing our new design;  
FIG. 2 is a front view of the lock box of FIG. 1;  
FIG. 3 is a rear view of the lock box of FIG. 1;  
FIG. 4 is a left side view of the lock box of FIG. 1;  
FIG. 5 is a right side view of the lock box of FIG. 1;  
FIG. 6 is a top view of the lock box of FIG. 1; and,  
FIG. 7 is a bottom view of the lock box of FIG. 1.  
The broken lines in the drawings illustrate features that form no part of the claim.

See application file for complete search history.

**1 Claim, 7 Drawing Sheets**



(56)

References Cited

U.S. PATENT DOCUMENTS

D504,990 S 5/2005 Perella et al.  
 D511,035 S 10/2005 Perella et al.  
 D516,768 S \* 3/2006 Walker ..... D99/28  
 D516,769 S \* 3/2006 Walker ..... D99/28  
 D517,269 S \* 3/2006 Walker ..... D99/28  
 D528,164 S \* 9/2006 Orcutt ..... D19/92  
 D541,045 S \* 4/2007 Peart ..... D3/291  
 D542,529 S \* 5/2007 Peart ..... D3/276  
 D558,977 S \* 1/2008 Peart ..... D3/294  
 D560,875 S 1/2008 Decarlo et al.  
 D561,994 S \* 2/2008 Peart ..... D3/291  
 D569,073 S \* 5/2008 Osiecki ..... D99/28  
 D571,524 S \* 6/2008 Kang ..... D99/28  
 D572,425 S 7/2008 Themistos  
 D574,124 S 7/2008 Huber  
 D579,174 S 10/2008 Decarlo et al.  
 D617,974 S 6/2010 Alfeld, Sr.  
 D620,675 S 7/2010 Doettling

D624,275 S \* 9/2010 Min ..... D99/28  
 D635,324 S \* 3/2011 Plato ..... D99/28  
 D644,815 S \* 9/2011 Helm ..... D99/34  
 D667,195 S 9/2012 Guo  
 D668,047 S 10/2012 Cenzano et al.  
 D669,244 S 10/2012 Gustafson  
 D671,742 S 12/2012 Cenzano et al.  
 D671,743 S 12/2012 Cenzano et al.  
 D677,463 S 3/2013 Cenzano et al.  
 D688,024 S \* 8/2013 Metlen ..... D99/28  
 D693,535 S 11/2013 Henderson et al.  
 D731,739 S \* 6/2015 Hine ..... D99/28  
 D732,264 S \* 6/2015 Hine ..... D99/28  
 D747,065 S \* 1/2016 Chap ..... D99/28  
 D750,340 S \* 2/2016 Stemen ..... D99/28  
 2004/0045329 A1 \* 3/2004 Farnham ..... E05B 73/0005  
 70/63  
 2008/0196637 A1 8/2008 Howell et al.  
 2012/0298018 A1 \* 11/2012 McCabe ..... A45C 13/20  
 109/51

\* cited by examiner

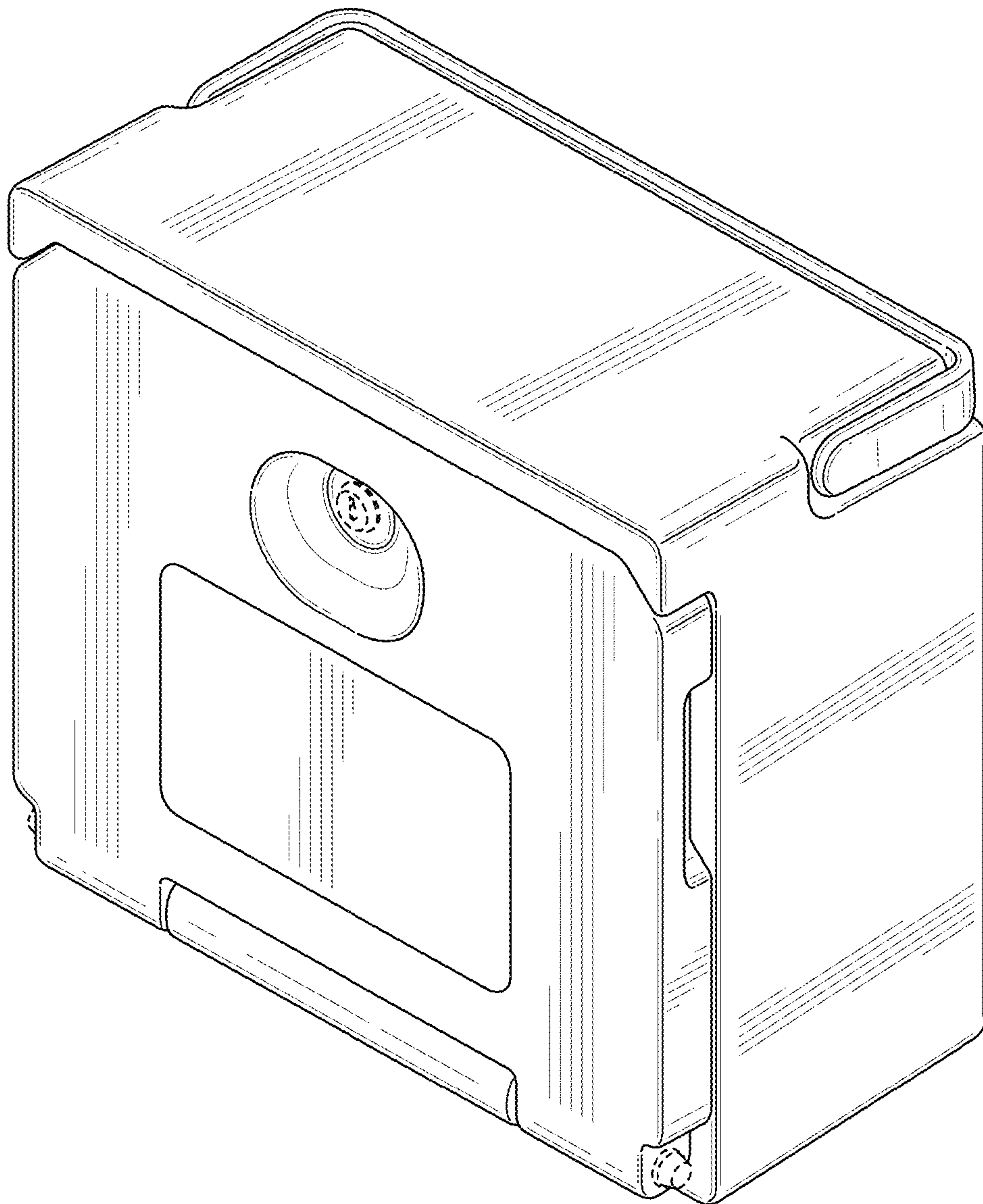


FIG. 1

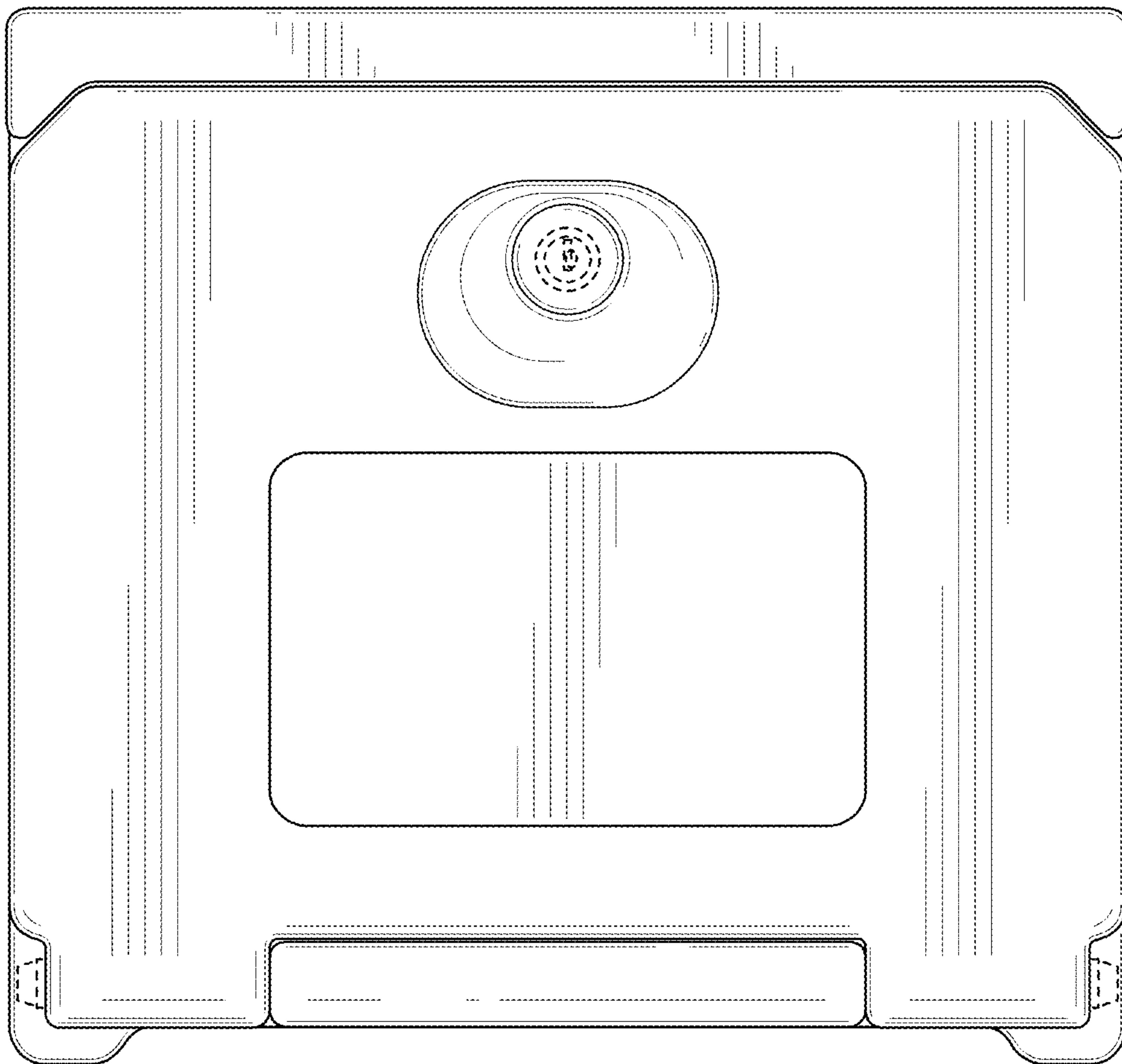


FIG. 2



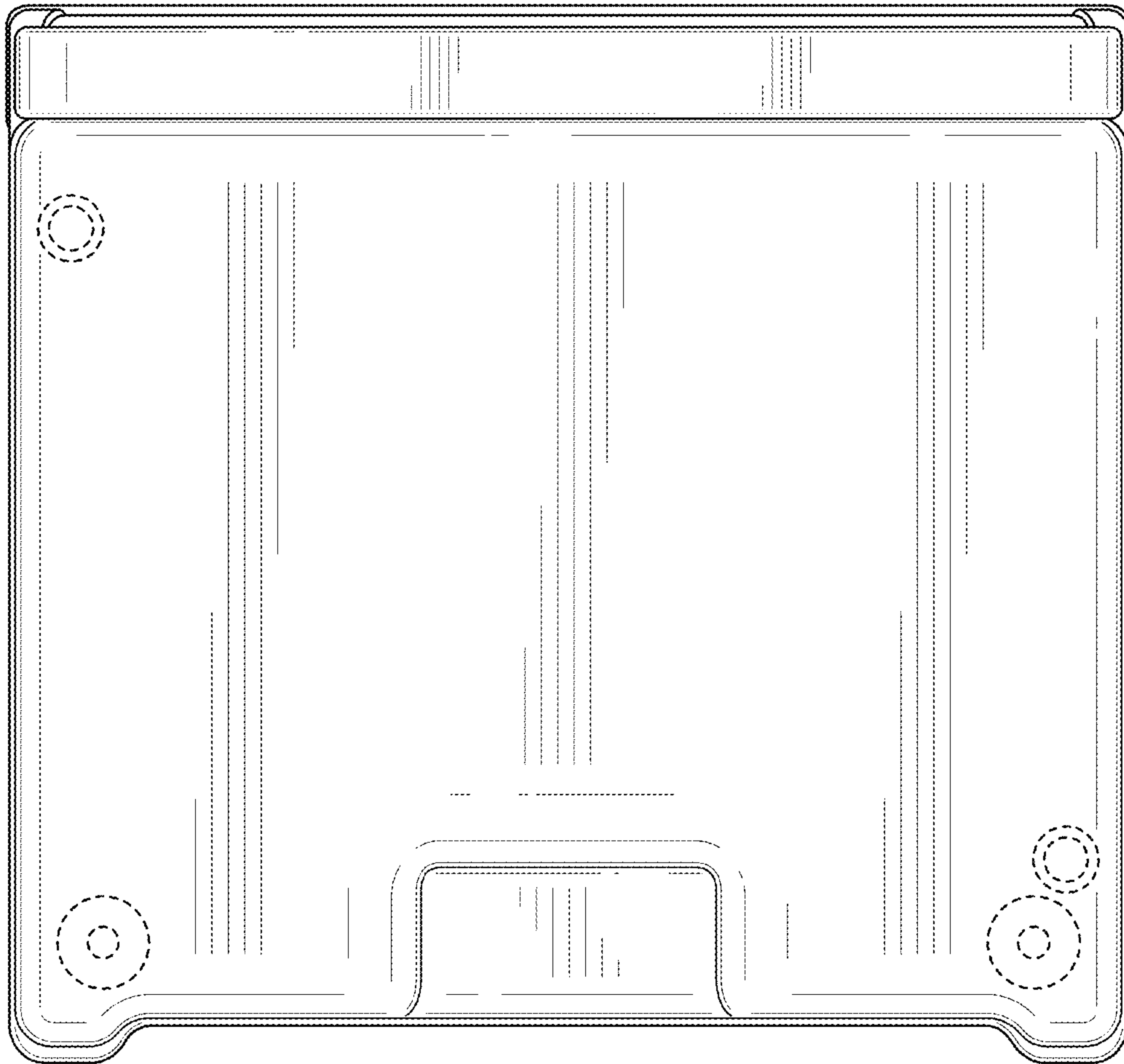


FIG. 3

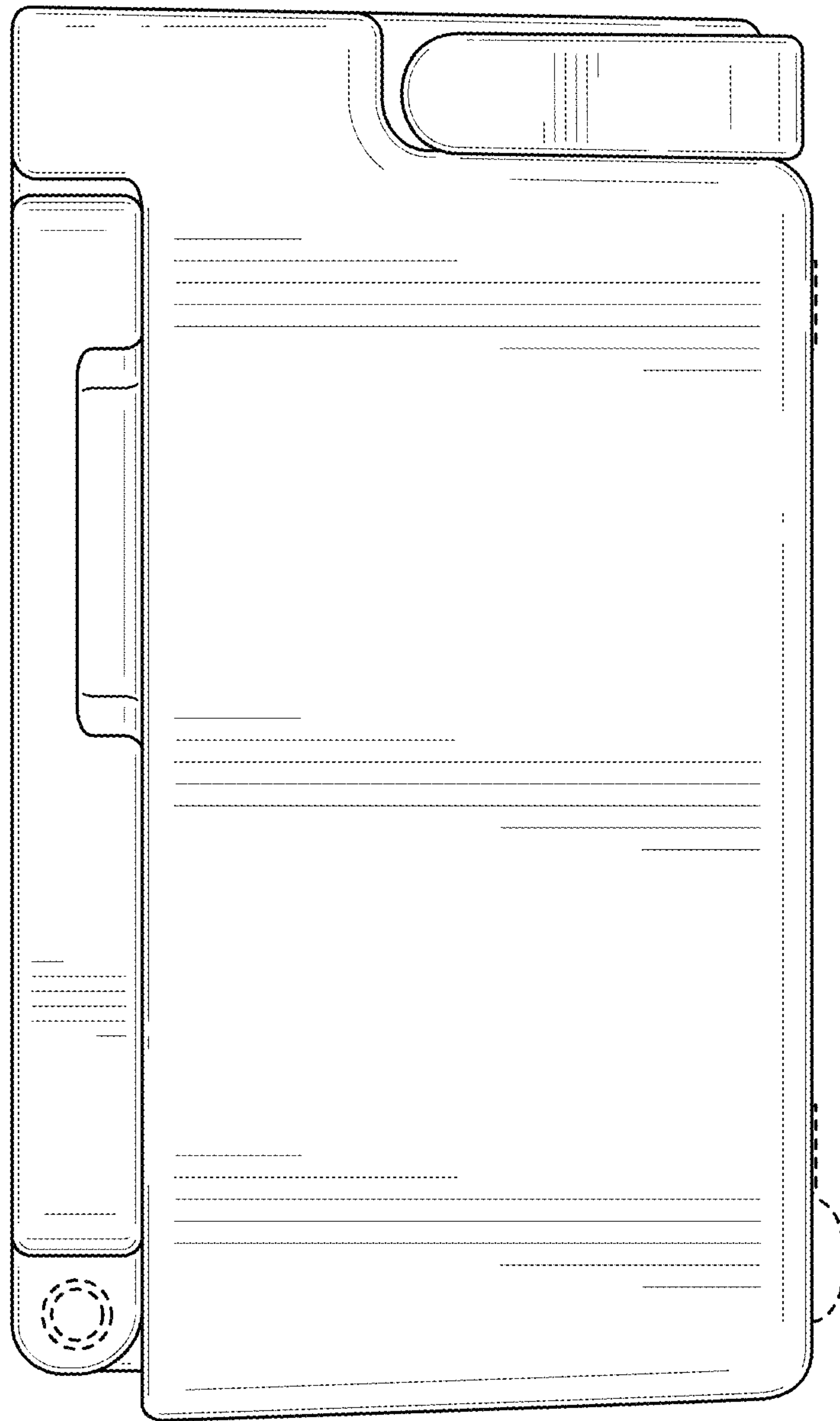


FIG. 4

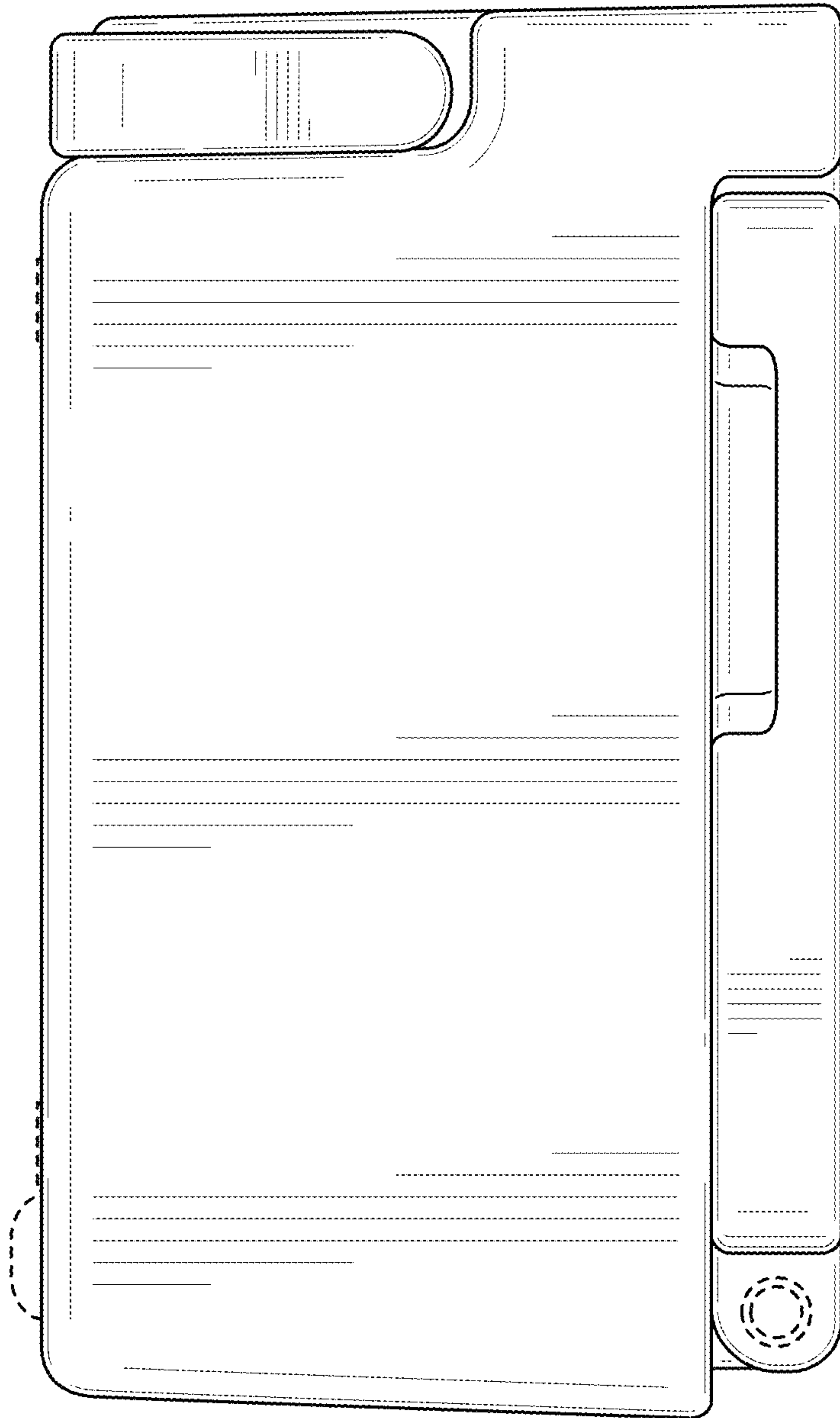


FIG. 5

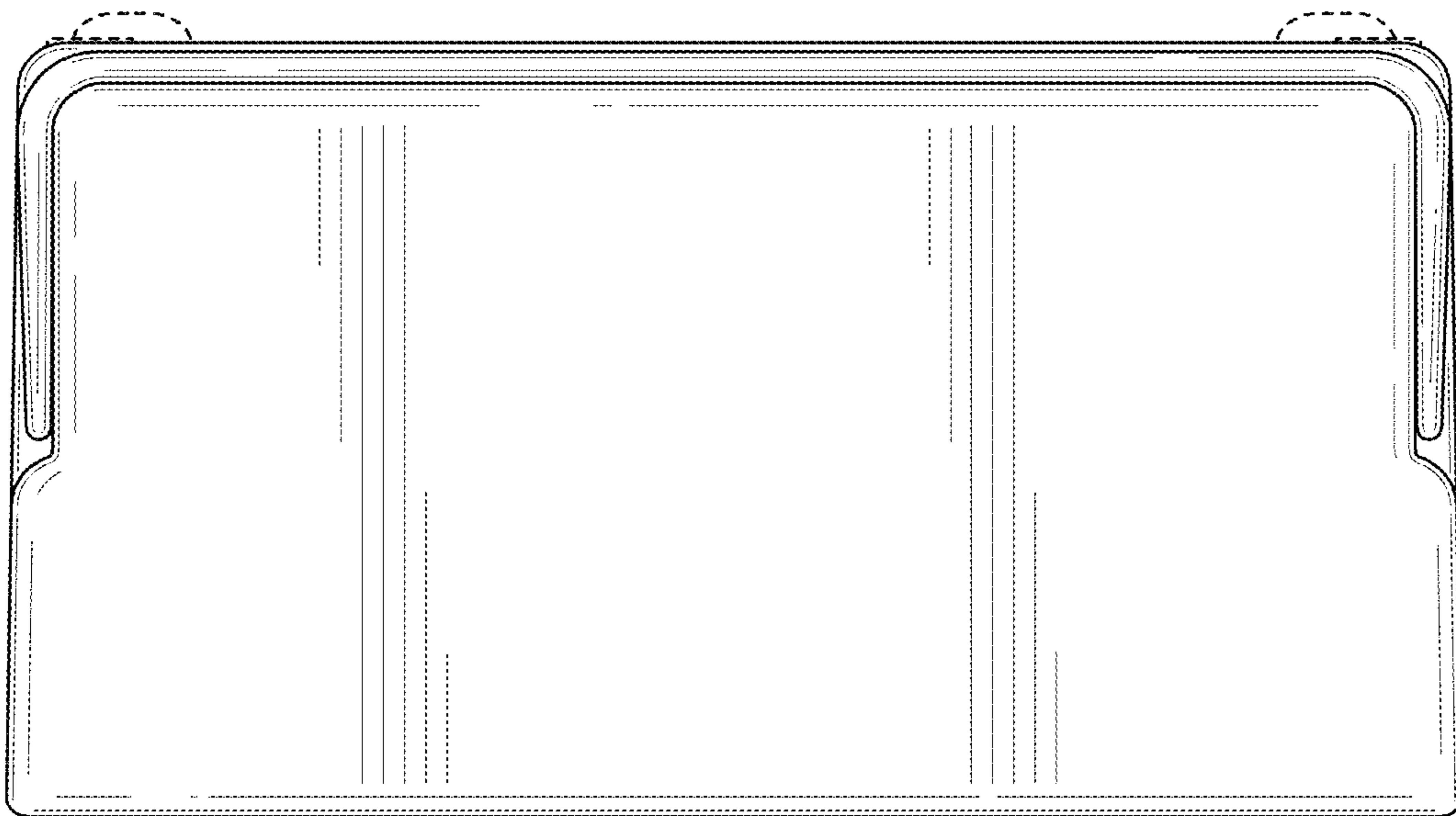


FIG. 6



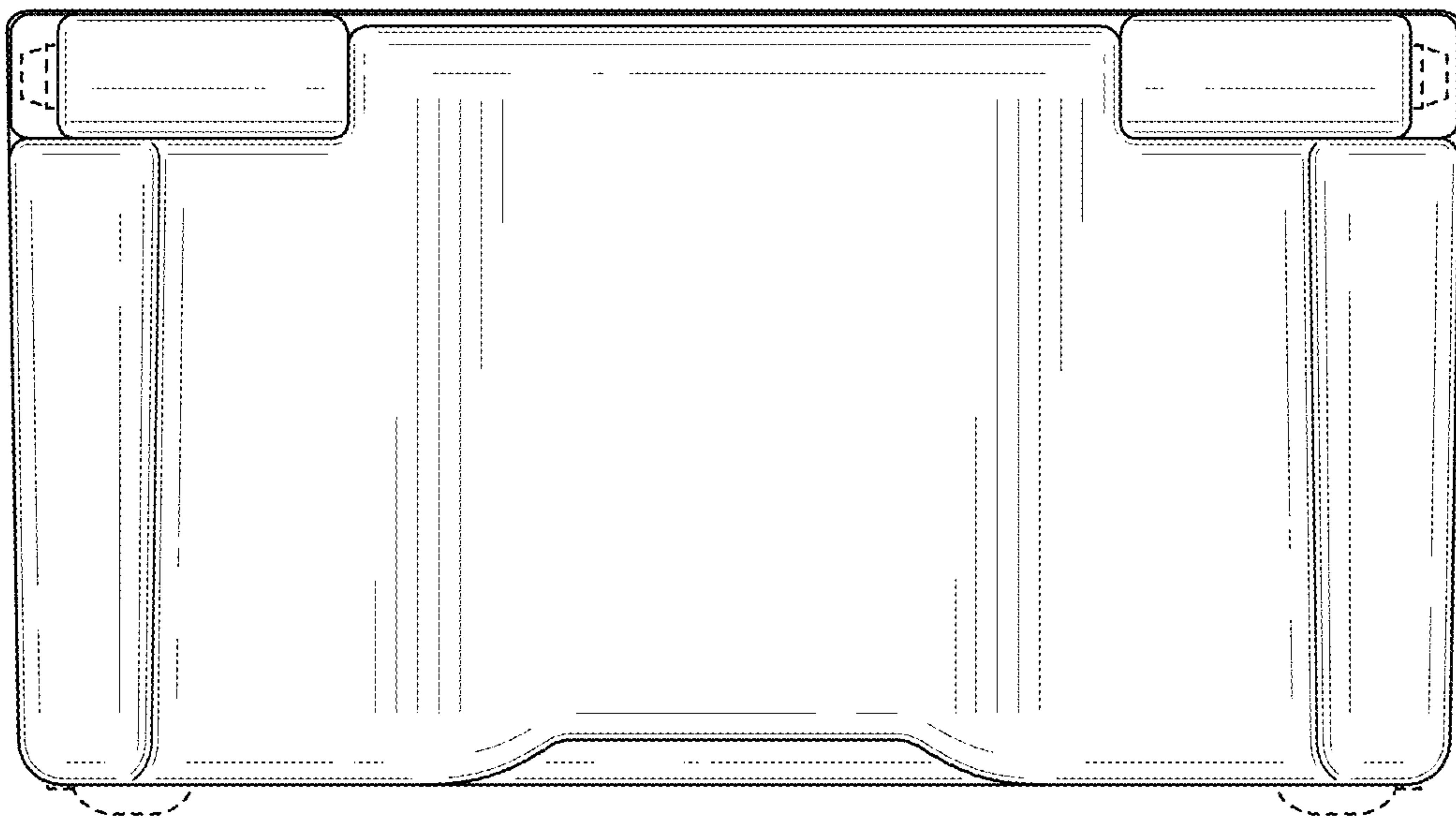


FIG. 7