



US00D772519S

(12) **United States Design Patent**  
**Hagendoorn**

(10) **Patent No.:** **US D772,519 S**

(45) **Date of Patent:** **\*\* Nov. 22, 2016**

(54) **ROTARY SHACKLE**  
(71) Applicant: **Meyn Beheer B.V.**  
(72) Inventor: **Jan Willem Hagendoorn**, Oostzaan (NL)  
(73) Assignee: **Meyn Beheer B.V.**, Oostzaan (NL)  
(\*\*) Term: **15 Years**  
(21) Appl. No.: **29/534,393**  
(22) Filed: **Jul. 28, 2015**

5,487,700 A \* 1/1996 Dillard ..... A22C 21/0007  
452/179  
D373,883 S \* 9/1996 Dillard ..... D34/29  
6,017,269 A \* 1/2000 Altenpohl, III .... A22C 21/0053  
452/188  
6,764,393 B1 \* 7/2004 Hazenbroek ..... A22C 21/0007  
452/188  
6,830,508 B2 \* 12/2004 Hazenbroek ..... A22C 21/0007  
452/179  
2002/0090905 A1 \* 7/2002 Moriarty ..... A22C 21/0007  
452/188  
2004/0198209 A1 \* 10/2004 Hazenbroek ..... A22C 21/0007  
452/188  
2007/0184768 A1 \* 8/2007 Sorensen ..... A22C 21/0007  
452/189

\* cited by examiner

(30) **Foreign Application Priority Data**

Jan. 29, 2015 (EM) ..... 002622753

(51) **LOC (10) Cl.** ..... **12-05**

(52) **U.S. Cl.**  
USPC ..... **D34/29**

(58) **Field of Classification Search**  
USPC ..... D34/28, 29, 35; 294/82.1, 82.35;  
452/169, 189, 188, 74, 183, 166-168,  
452/170, 179, 184; D8/323  
CPC ..... A22C 21/0007; A22C 21/0053  
See application file for complete search history.

(56) **References Cited**

**U.S. PATENT DOCUMENTS**

3,243,841 A \* 4/1966 Altenpohl, Jr. .... A22C 21/0007  
452/188  
3,249,963 A \* 5/1966 Strandine ..... A22C 21/0007  
452/188  
3,289,245 A \* 12/1966 Van Dolah  
et al. .... A22C 21/0007  
452/183

*Primary Examiner* — Cynthia Ramirez

*Assistant Examiner* — Gino Colan

(74) *Attorney, Agent, or Firm* — Dority & Manning, P.A.

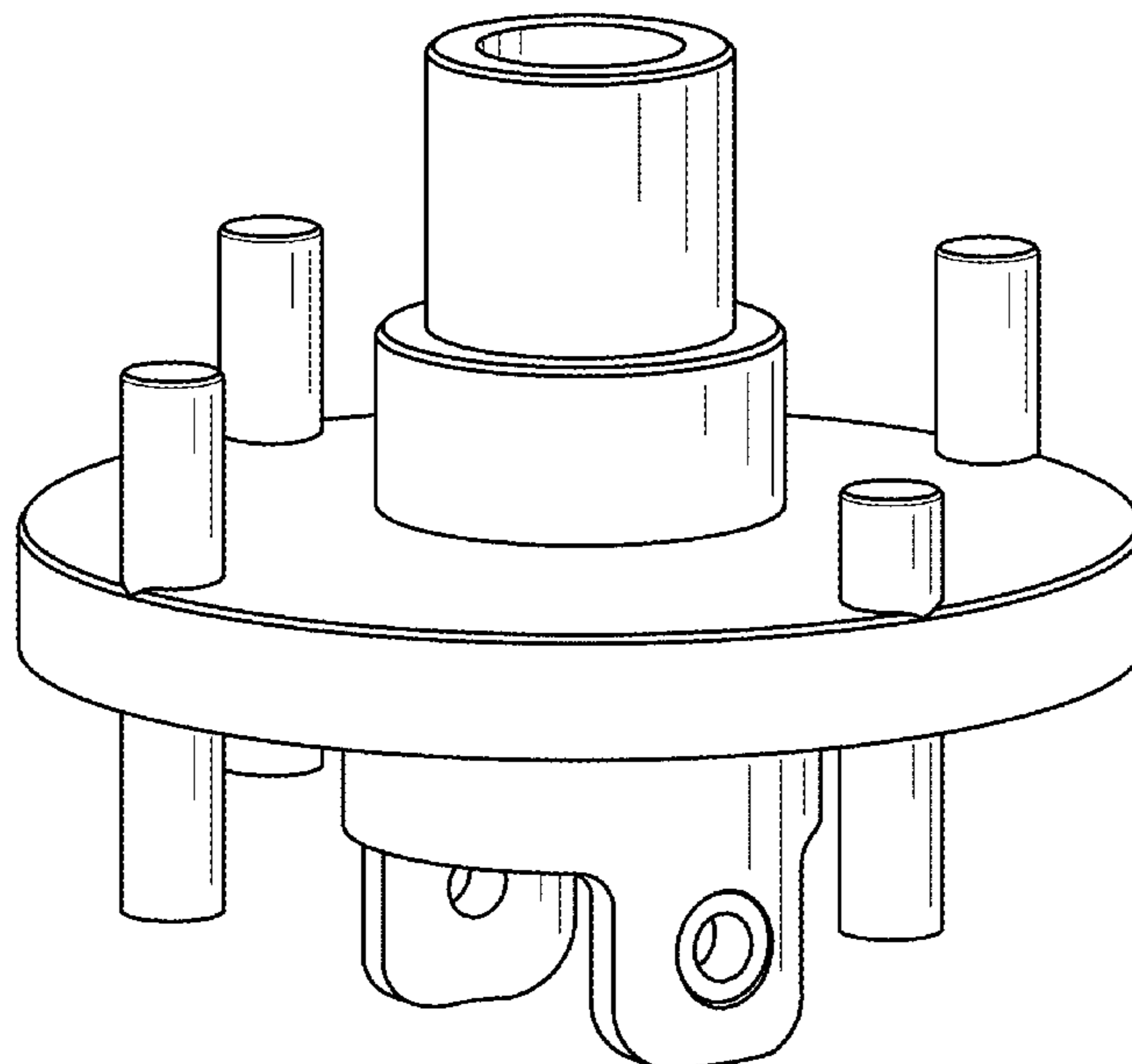
(57) **CLAIM**

The ornamental design for a rotary shackle, as shown and described.

**DESCRIPTION**

FIG. 1 is a front elevational view of a rotary shackle showing my new design;  
FIG. 2 is a top plan view thereof;  
FIG. 3 is a bottom plan view thereof;  
FIG. 4 is a right elevational view thereof;  
FIG. 5 is a left elevational view thereof;  
FIG. 6 is a rear elevational view thereof; and,  
FIG. 7 is a perspective view thereof.  
The broken lines appearing in the drawings depict areas of environment of the claimed design and do not form part of the claimed design.

**1 Claim, 7 Drawing Sheets**



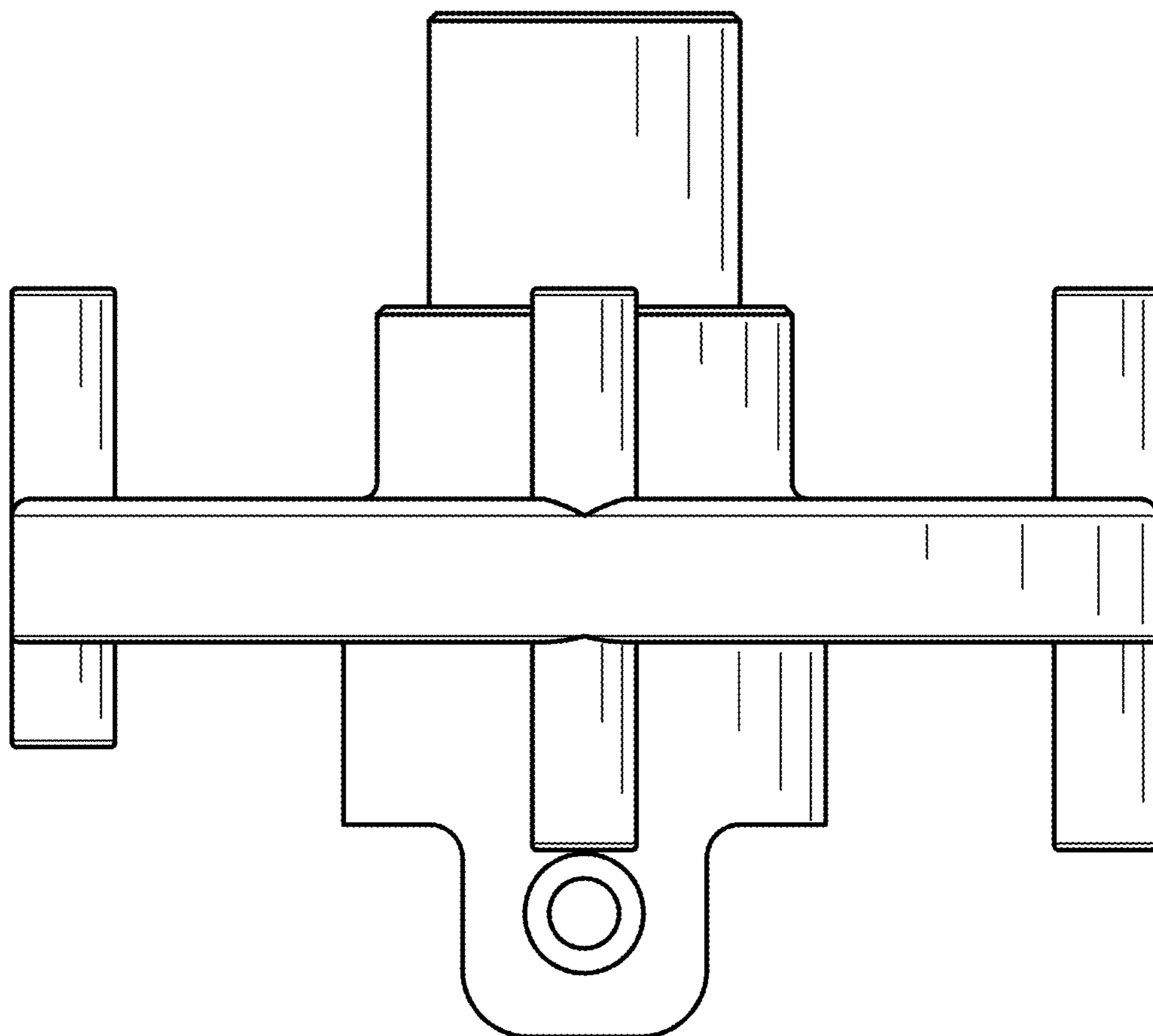


FIG. 1

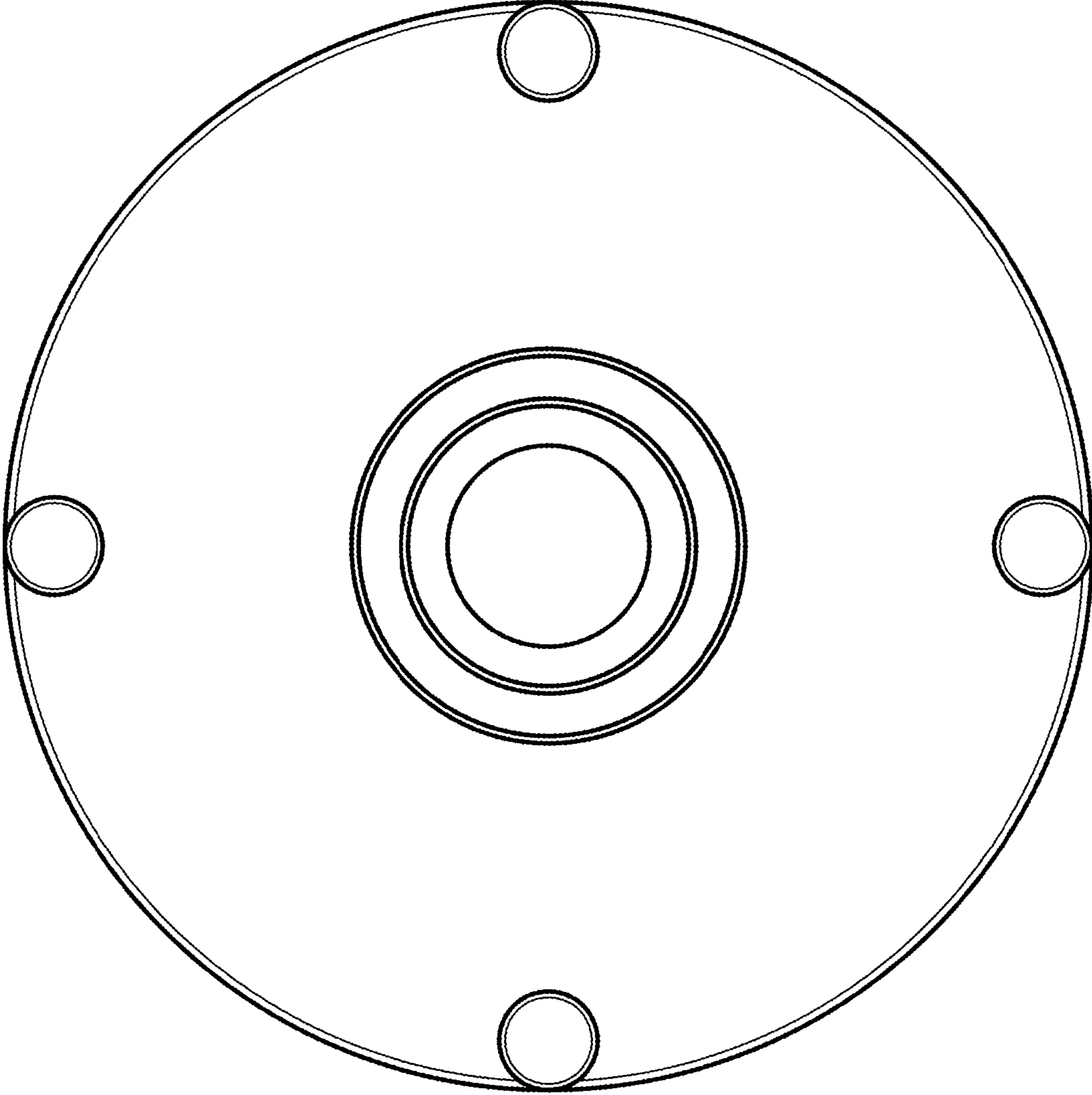


FIG. 2

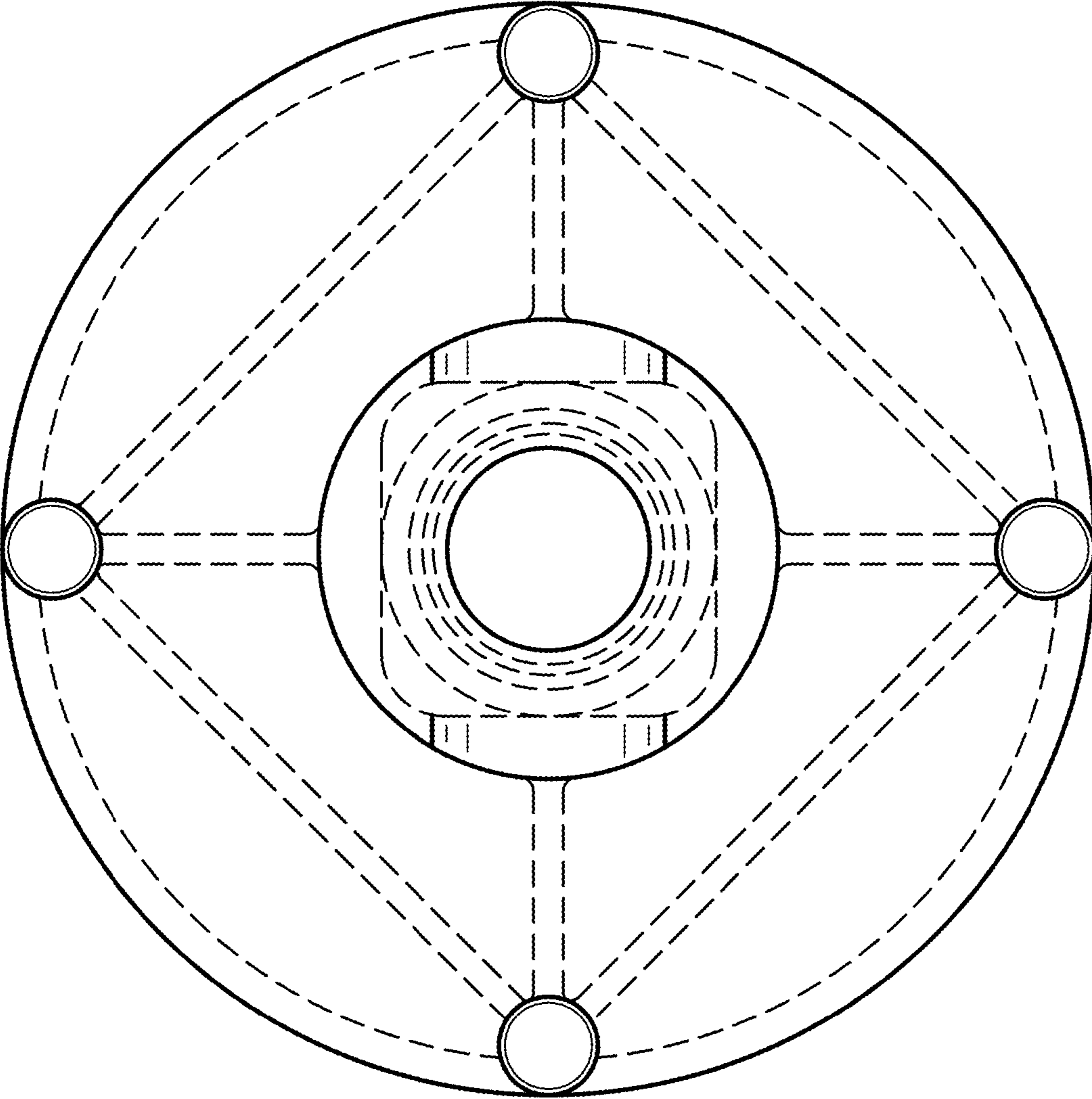


FIG. 3

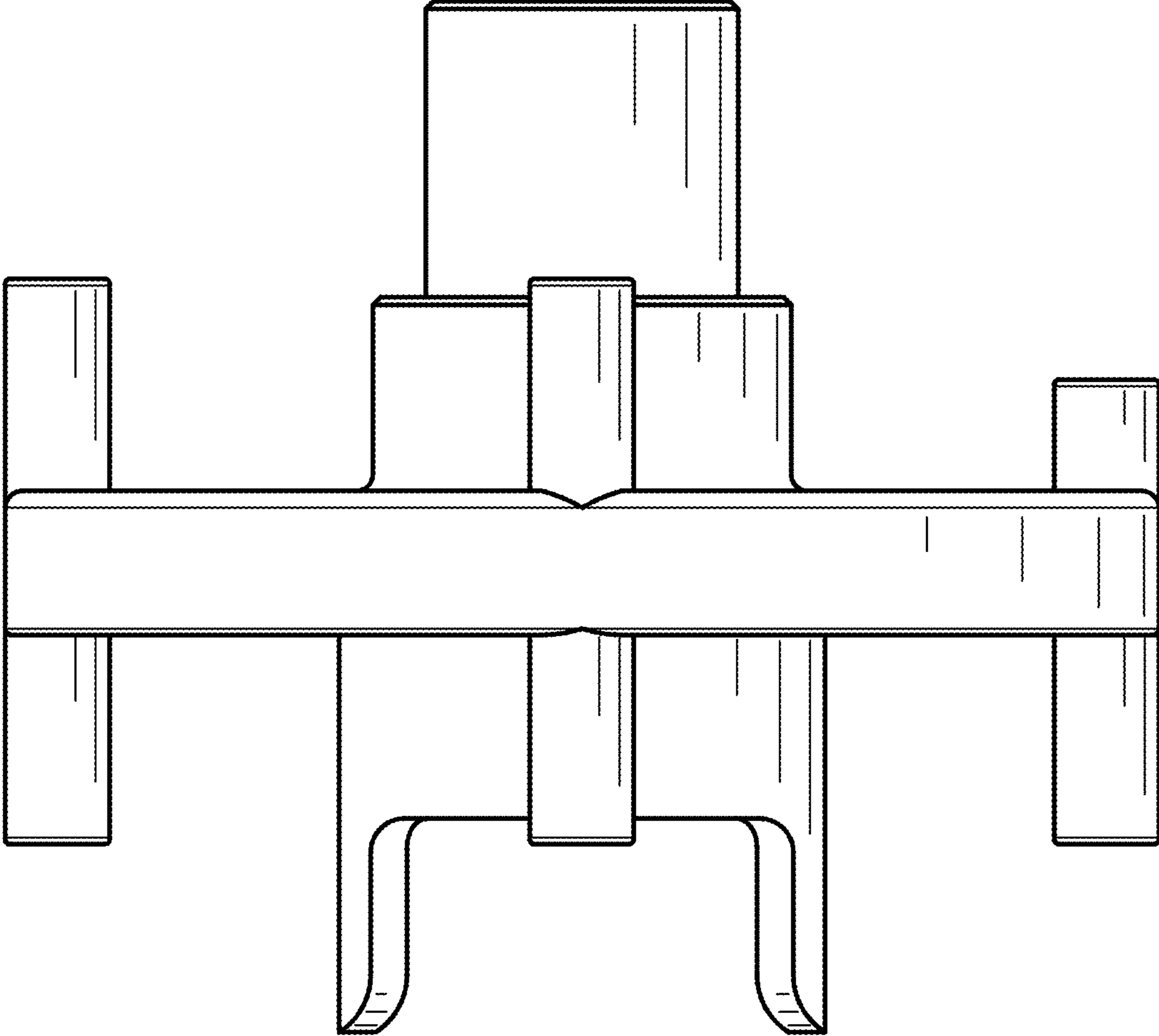


FIG. 4

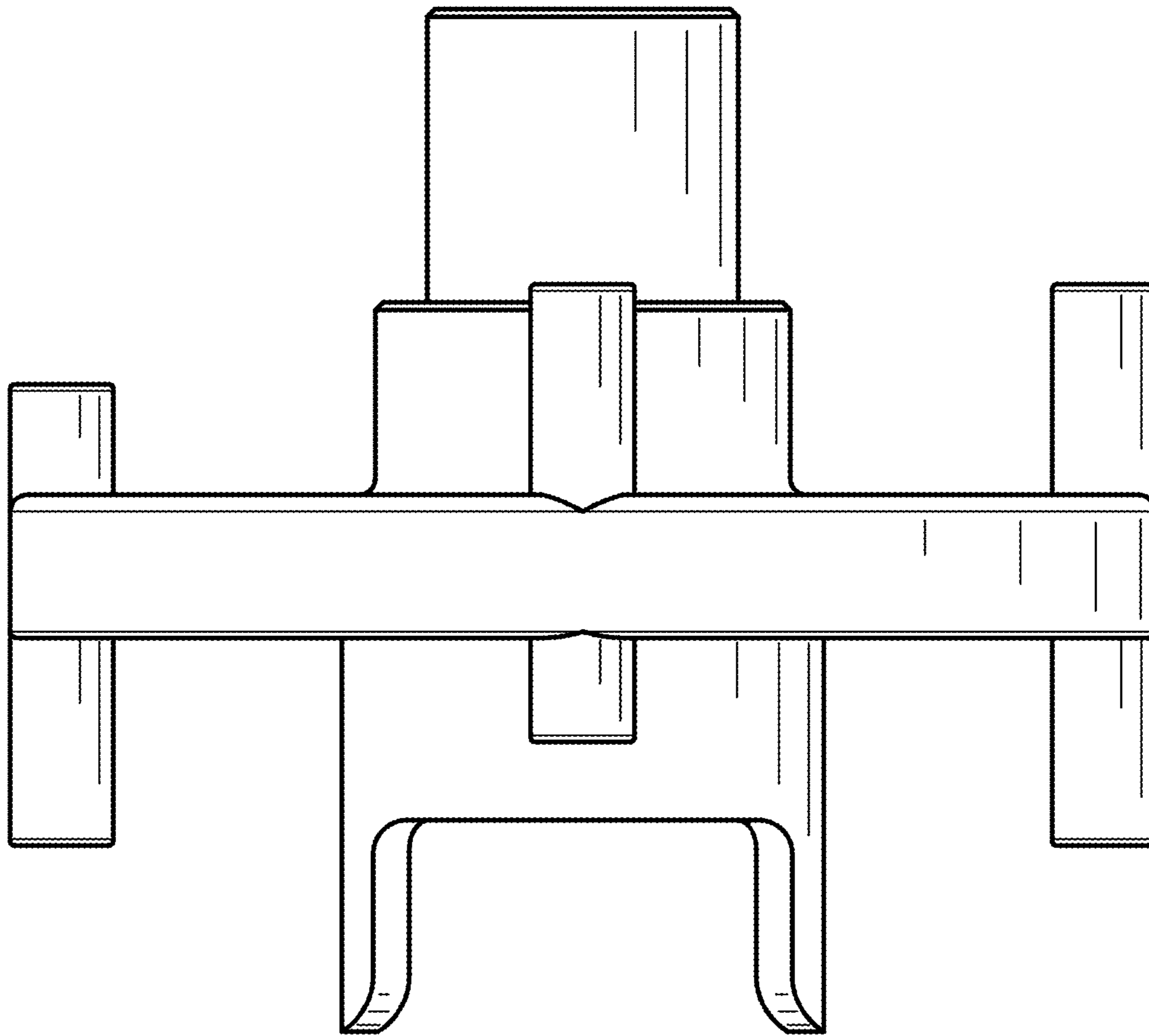


FIG. 5

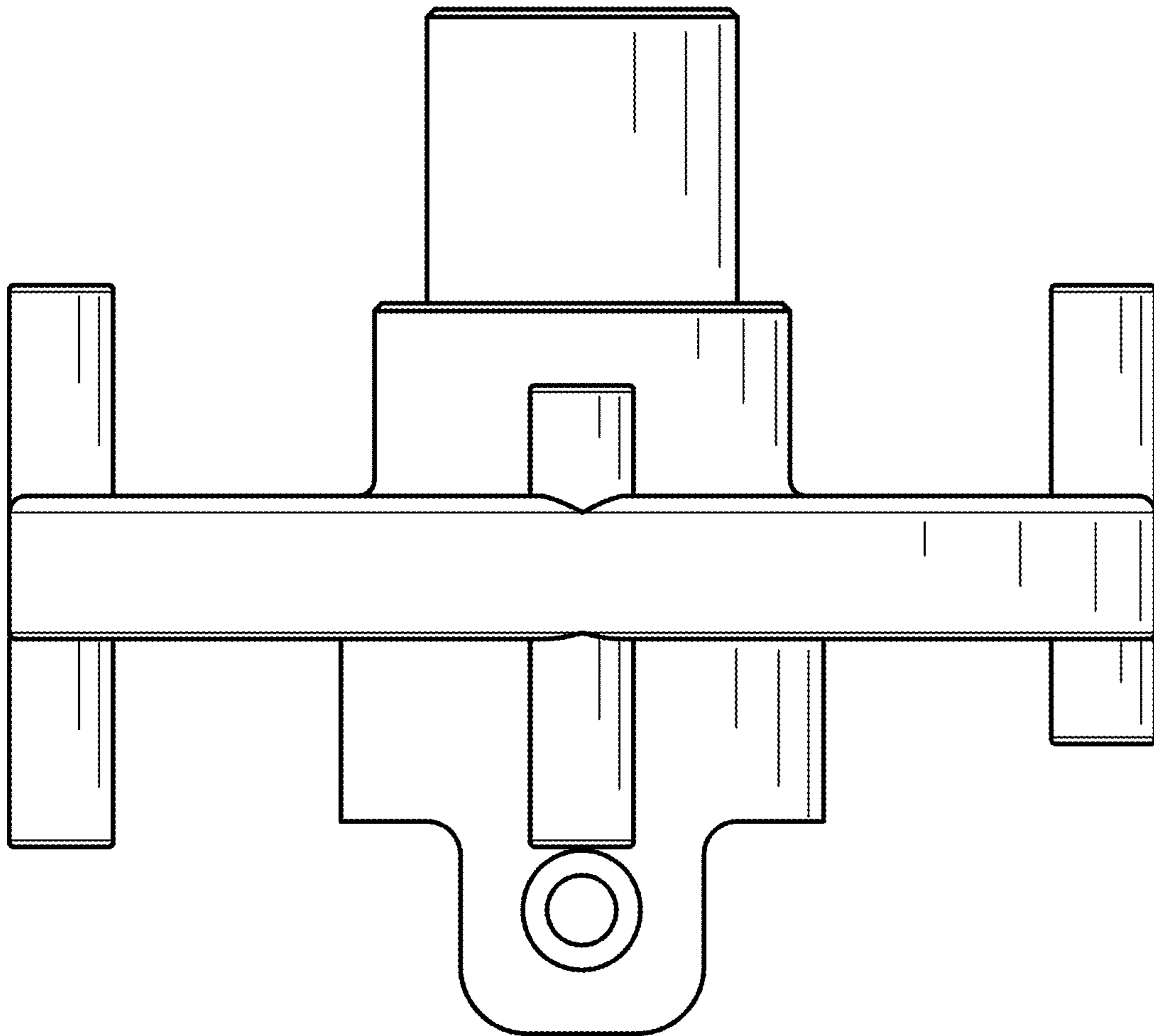


FIG. 6

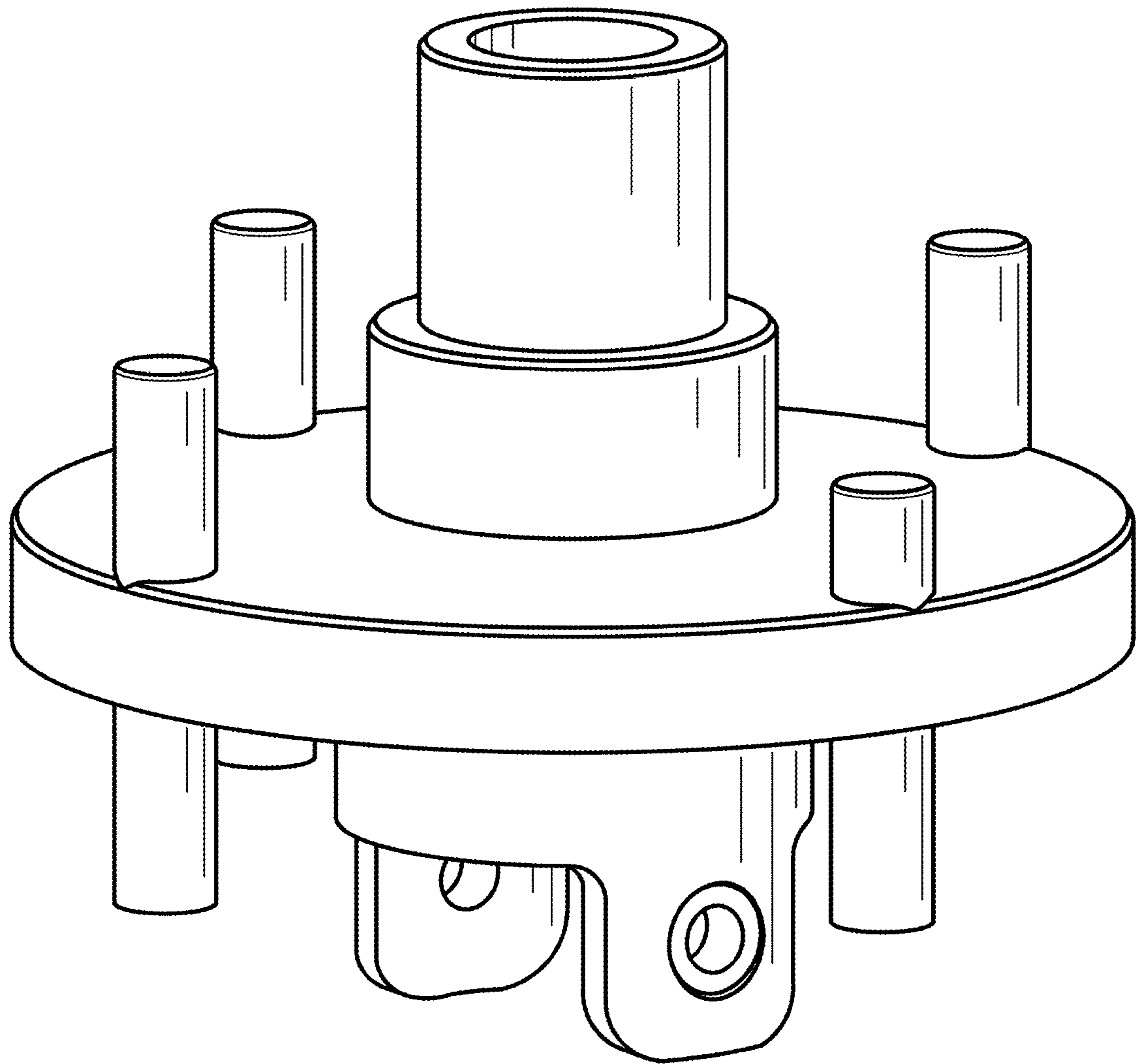


FIG. 7