



US00D772517S

(12) **United States Design Patent** (10) **Patent No.:** **US D772,517 S**
Schiltz et al. (45) **Date of Patent:** **** Nov. 22, 2016**

(54) **CONVEYOR BELT DRIVE ROLLER**
(71) Applicant: **Precision, Inc.**, Pella, IA (US)
(72) Inventors: **Gary Wayne Schiltz**, Algona, IA (US);
Brian Scott Schiltz, Algona, IA (US)
(73) Assignee: **Precision, Inc.**, Pella, IA (US)
(**) Term: **14 Years**
(21) Appl. No.: **29/519,812**
(22) Filed: **Mar. 9, 2015**
(51) **LOC (10) Cl.** **12-05**
(52) **U.S. Cl.**
USPC **D34/29**
(58) **Field of Classification Search**
USPC D34/29; 198/824, 345.1, 825, 842, 830,
198/835, 494, 507
CPC B65G 45/00; B65G 45/10; B65G 45/20;
B65G 45/24; B65G 45/26; B65G 23/08;
B65G 23/06
See application file for complete search history.

D516,095 S 2/2006 Wuest et al.
D520,526 S 5/2006 Wuest et al.
D588,324 S * 3/2009 Hong D34/29
D615,570 S 5/2010 Rosenbalm et al.
D647,118 S 10/2011 Parker et al.
8,042,682 B2 * 10/2011 Ertel B65G 23/06
198/834
D675,651 S 2/2013 Lane
D678,040 S 3/2013 Shikama et al.
D678,401 S 3/2013 Huck et al.
D688,549 S 8/2013 Shikama et al.
8,579,774 B2 * 11/2013 Derscheid A01F 15/18
198/835
D702,286 S 4/2014 Huck et al.
9,327,907 B1 * 5/2016 Schiltz B65G 39/07
2002/0046929 A1 4/2002 Finnegan et al.
2002/0134651 A1 9/2002 Itoh
2004/0089519 A1 5/2004 Pollak et al.
2013/0105283 A1 * 5/2013 Dudek B65G 23/06
198/835

* cited by examiner

Primary Examiner — Cynthia Ramirez
(74) *Attorney, Agent, or Firm* — McKee, Voorhees & Sease, PLC

(57) **CLAIM**
The ornamental design for a conveyor belt drive roller, as shown and described.

(56) **References Cited**

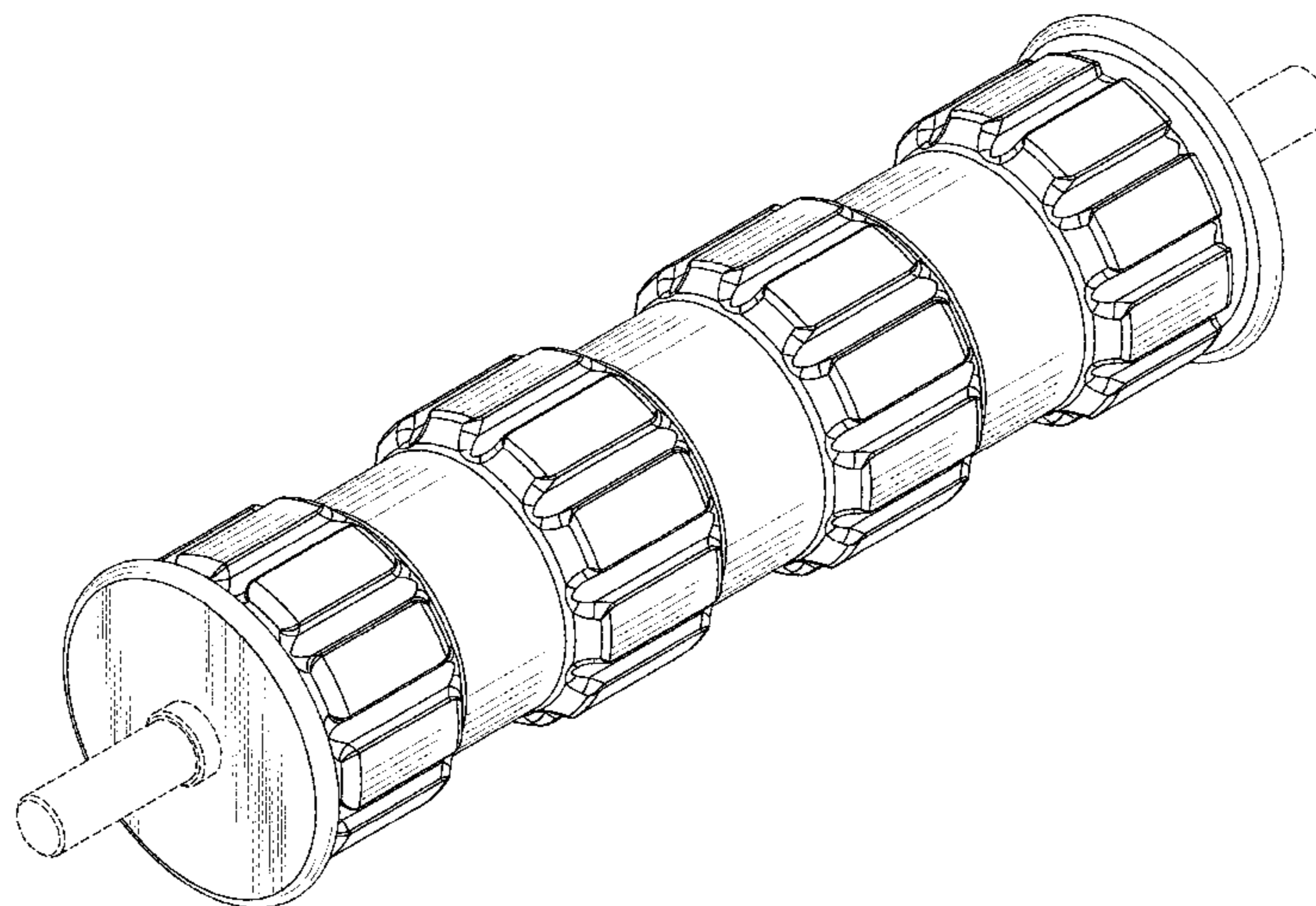
U.S. PATENT DOCUMENTS

3,015,381 A 1/1962 Mohwinkel et al.
3,853,016 A 12/1974 Lane et al.
3,980,174 A 9/1976 Conrad
4,072,062 A 2/1978 Morling et al.
4,449,958 A 5/1984 Conrad
5,234,097 A 8/1993 Okuyama
5,320,214 A 6/1994 Kordis
5,330,341 A 7/1994 Kemerer et al.
5,458,477 A 10/1995 Kemerer et al.
5,911,307 A 6/1999 Kraft et al.
D419,574 S 1/2000 Bower
6,564,932 B2 5/2003 Itoh
6,692,392 B2 2/2004 Finnegan et al.
6,938,754 B2 * 9/2005 Kanaris B65G 39/073
198/494
D512,076 S 11/2005 Wuest et al.
D512,077 S 11/2005 Wuest et al.

DESCRIPTION

FIG. 1 is a bottom perspective view of a first embodiment of a conveyor belt driver roller showing our new design; FIG. 2 is a top plan view thereof; FIG. 3 is an end view thereof; FIG. 4 is a bottom perspective view of a second embodiment of a conveyor belt drive roller; and, FIG. 5 is a top plan view thereof. The end view of the second embodiment is that same as FIG. 3 of the first embodiment. The broken lines shown in the figures are included for the purpose of illustrating portions of the conveyor belt drive roller and forms no part of the claimed design.

1 Claim, 4 Drawing Sheets



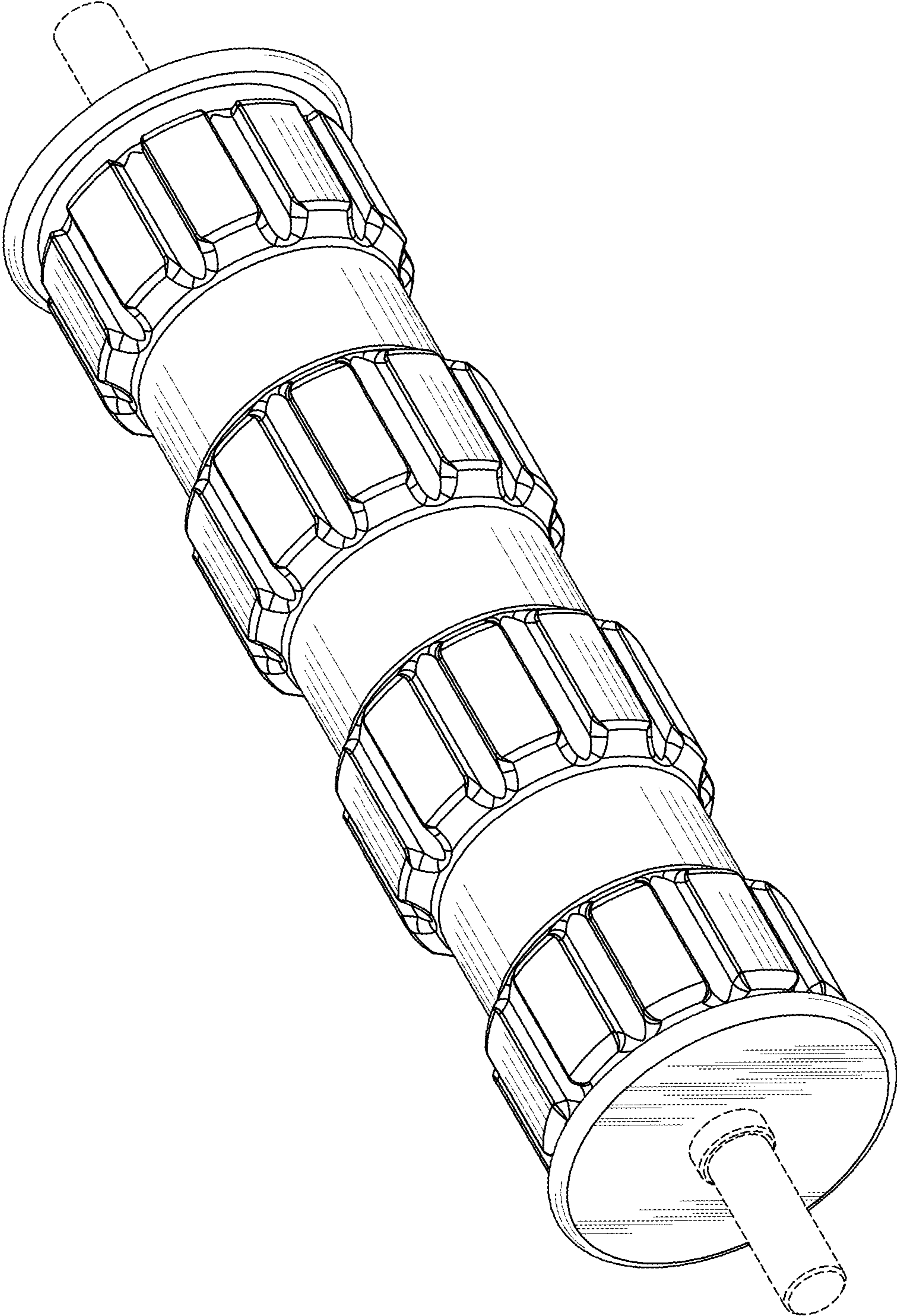


Fig. 1

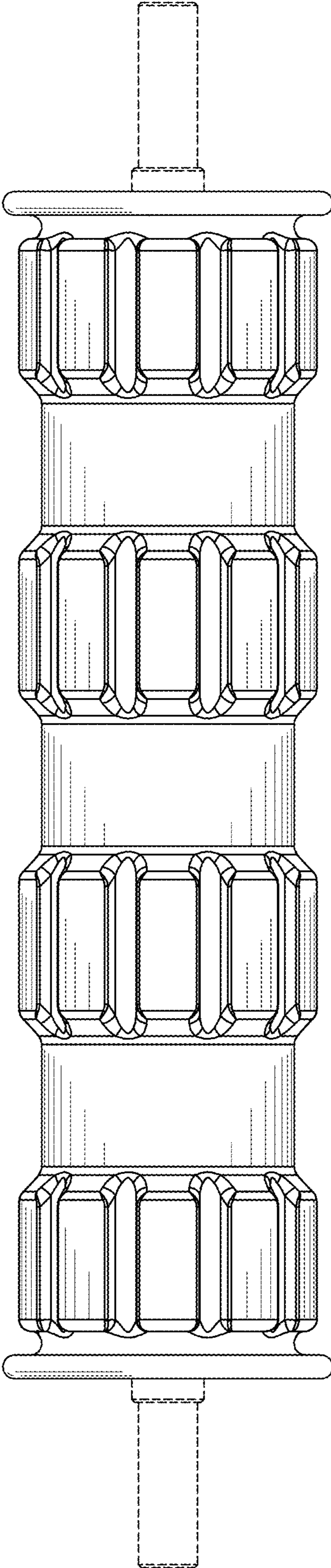


Fig. 2

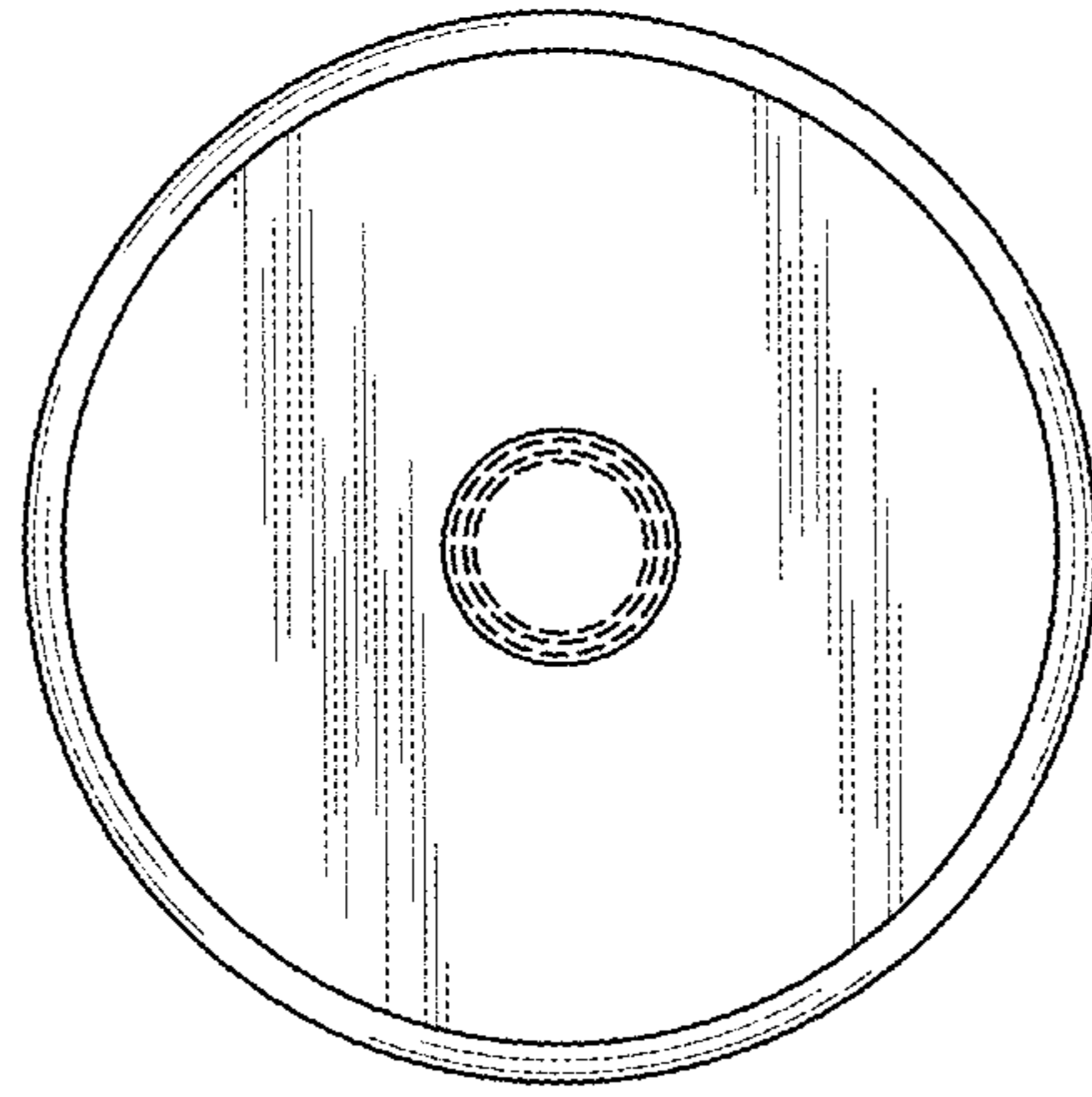


Fig. 3

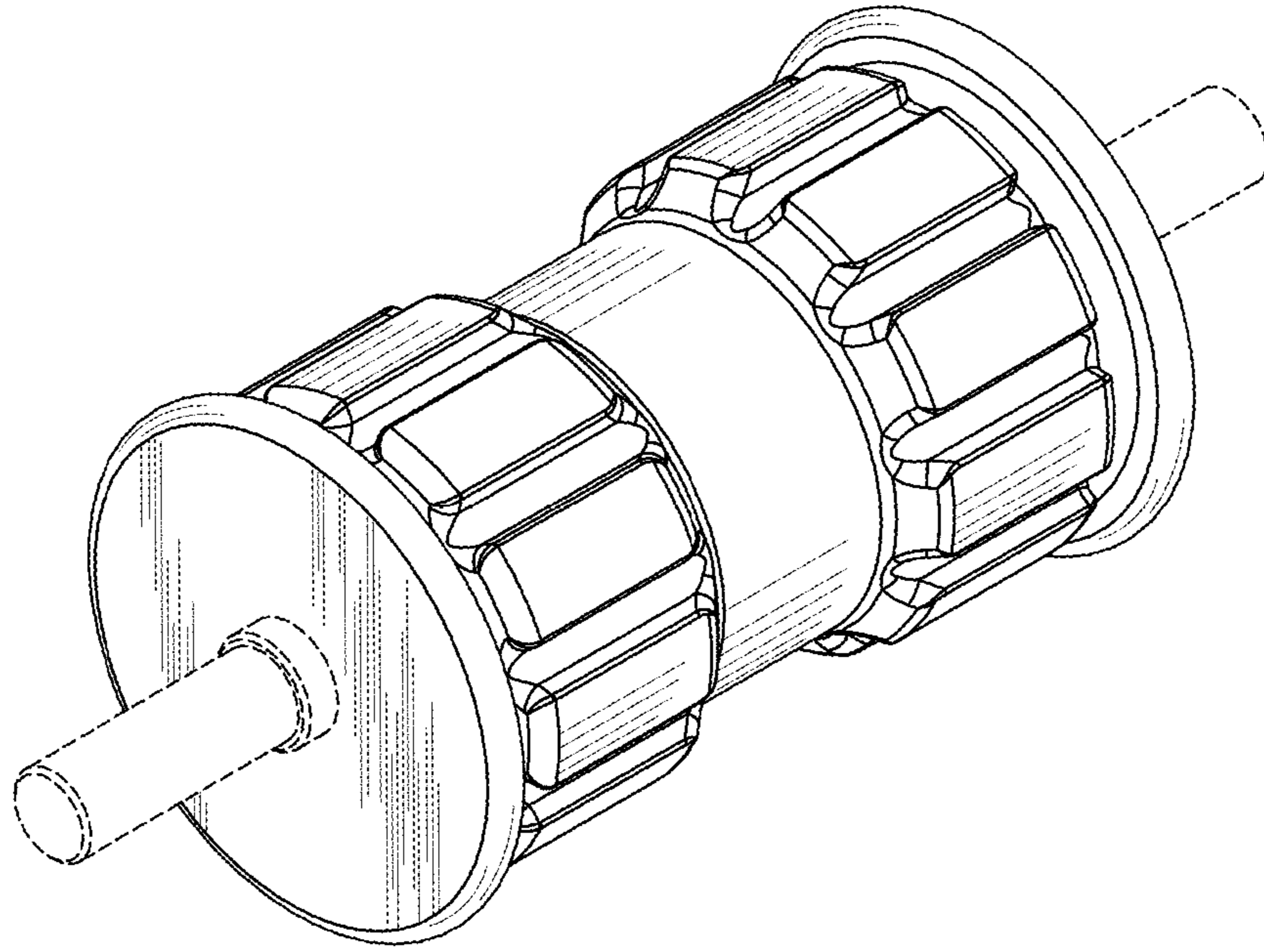


Fig. 4

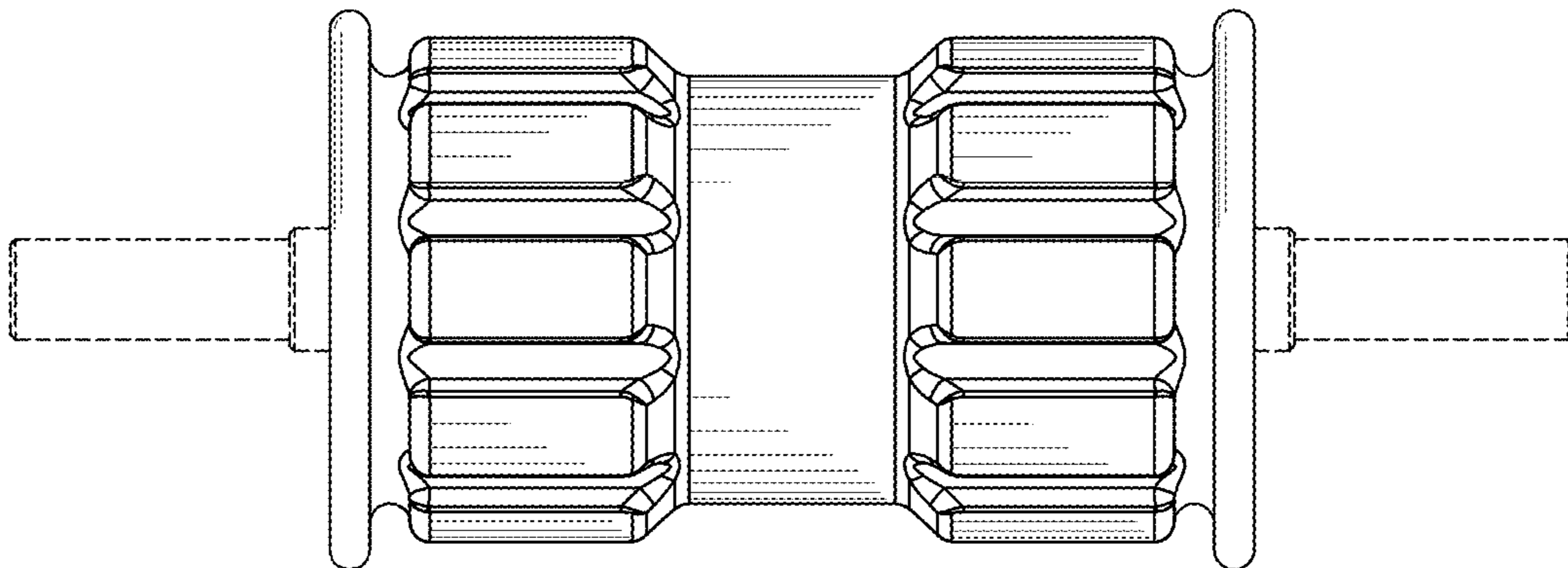


Fig. 5