



US00D772516S

(12) **United States Design Patent** (10) **Patent No.:** **US D772,516 S**
Burt (45) **Date of Patent:** **** Nov. 22, 2016**

(54) **COMBINED TRASH CAN RECEPTACLE AND PLANTER**

(71) Applicant: **Andy Burt**, Niagara Falls (CA)

(72) Inventor: **Andy Burt**, Niagara Falls (CA)

(**) Term: **14 Years**

(21) Appl. No.: **29/523,637**

(22) Filed: **Apr. 13, 2015**

(51) **LOC (10) Cl.** **09-09**

(52) **U.S. Cl.**
USPC **D34/1; D11/144**

(58) **Field of Classification Search**
USPC D34/1-11; 220/908-913; D3/313, 311;
D9/737; D11/155, 143, 144
CPC A01G 9/022; A01G 1/001; B65F 1/163;
B65F 1/08; B65F 1/06; B65F 1/1607; B65F
1/1615

See application file for complete search history.

(56) **References Cited**

U.S. PATENT DOCUMENTS

- D319,123 S * 8/1991 DeRewal D34/5
- 5,111,938 A * 5/1992 Soprano B65F 1/1615
206/386
- D407,534 S * 3/1999 Howard D3/311
- D412,297 S * 7/1999 Roach D11/152
- D416,214 S * 11/1999 Conner D11/143
- 6,155,411 A * 12/2000 Ho A47G 19/2227
206/217
- 6,253,949 B1 * 7/2001 Dickson B65F 1/06

- 220/495.04
- D478,530 S * 8/2003 Sachuk D11/143
- D480,326 S * 10/2003 Carlson D11/155
- D552,319 S * 10/2007 Gusdorf D11/143
- D588,067 S * 3/2009 Seropian D13/152
- D594,619 S * 6/2009 Tuncel D34/1
- D649,727 S * 11/2011 Memory D34/1
- D720,252 S * 12/2014 Burt D11/144
- D735,602 S * 8/2015 Anderson D11/155

* cited by examiner

Primary Examiner — Cynthia Ramirez

(74) *Attorney, Agent, or Firm* — Patent Law of Virginia, PLLC; Brian J. Teague

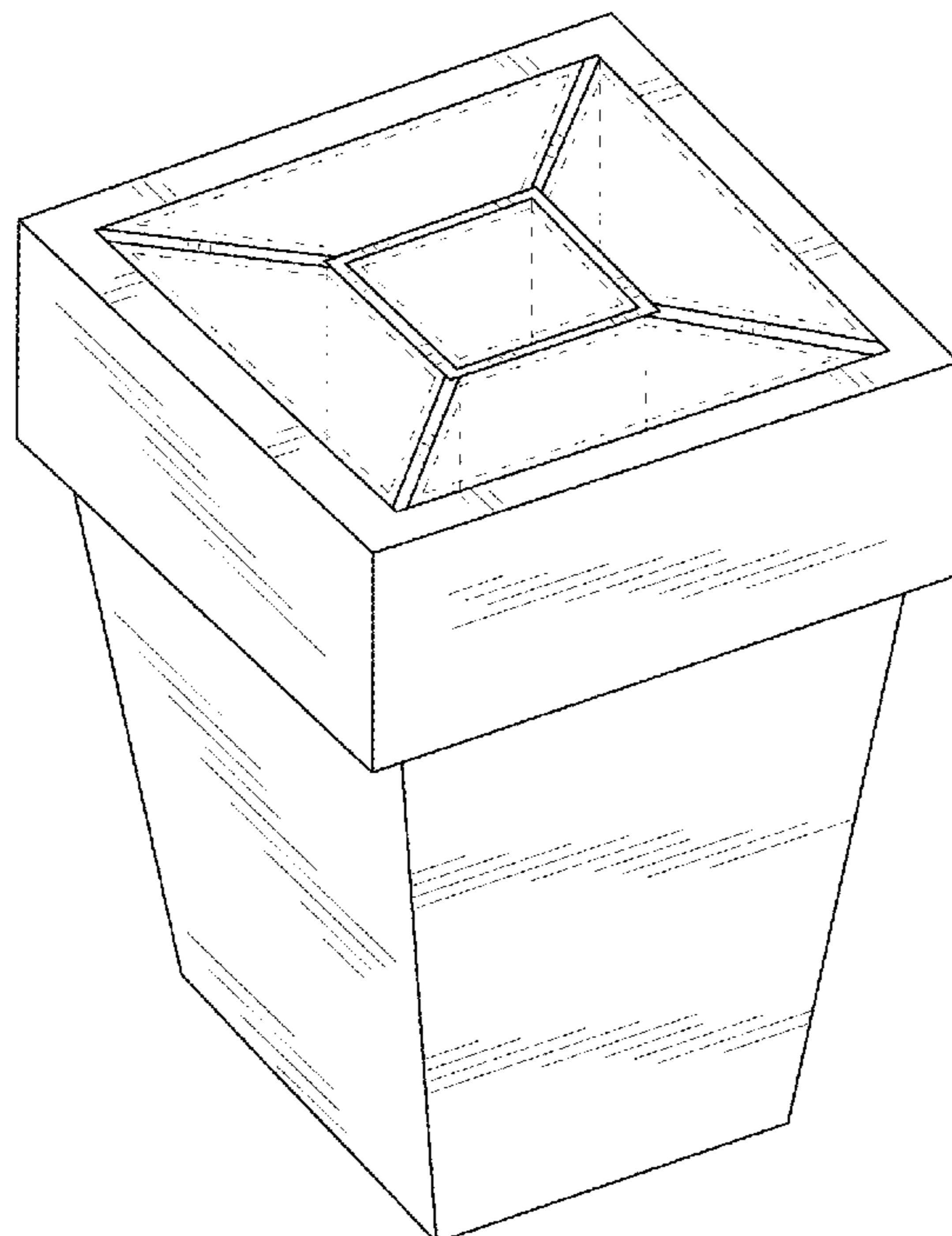
(57) **CLAIM**

The ornamental design for a combined trash can receptacle and planter, as shown and described.

DESCRIPTION

FIG. 1 is a perspective view of a combined trash can receptacle and planter showing my new design; FIG. 2 is a front elevational view thereof; the rear, right side and left side views being the same; FIG. 3 is a top view thereof; FIG. 4 is a bottom view thereof; and, FIG. 5 is a bottom exploded view thereof. The broken lines shown in the drawings are included for the purpose of illustrating portions of the combined trash can receptacle and planter and form no part of the claimed design.

1 Claim, 5 Drawing Sheets



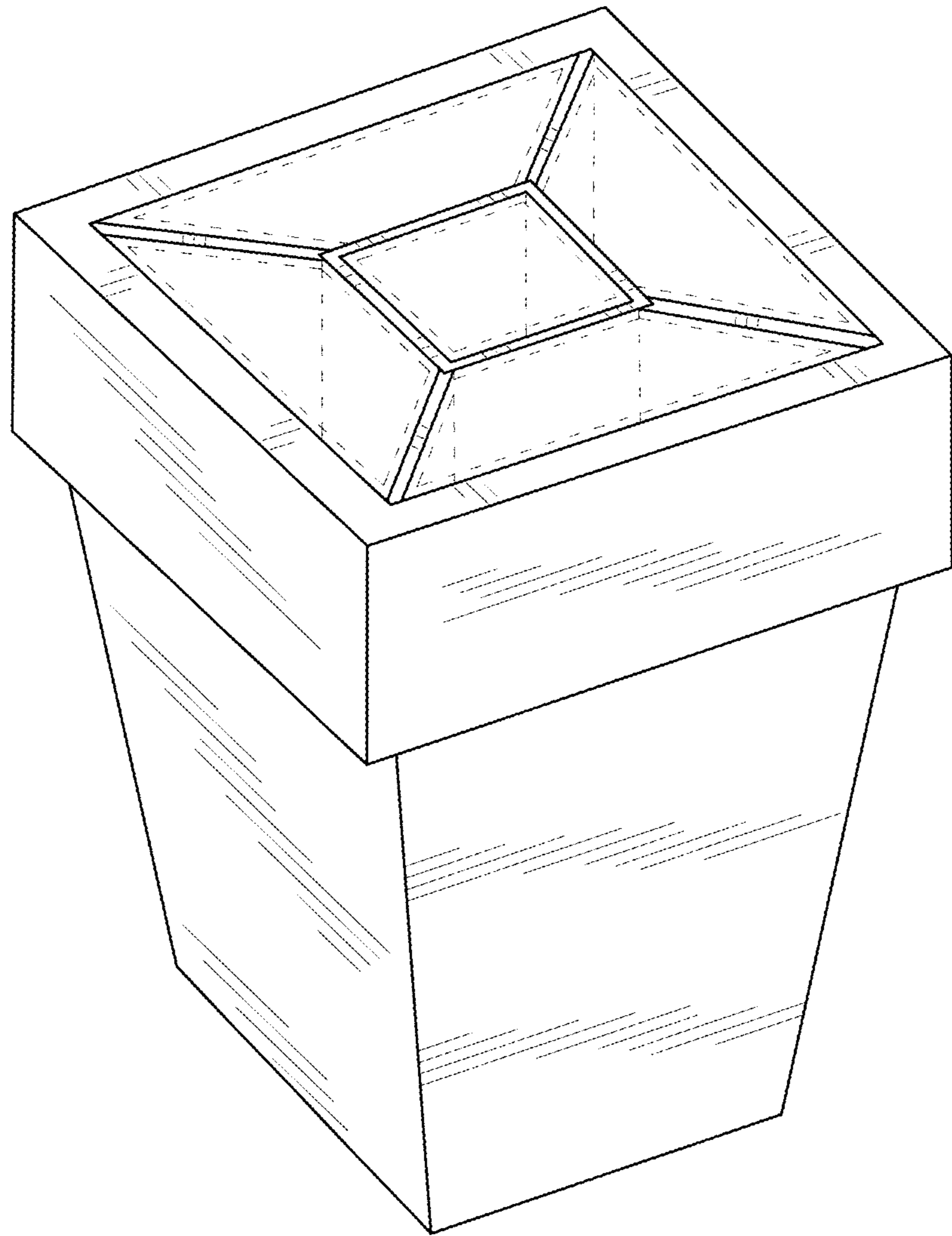


FIG. 1

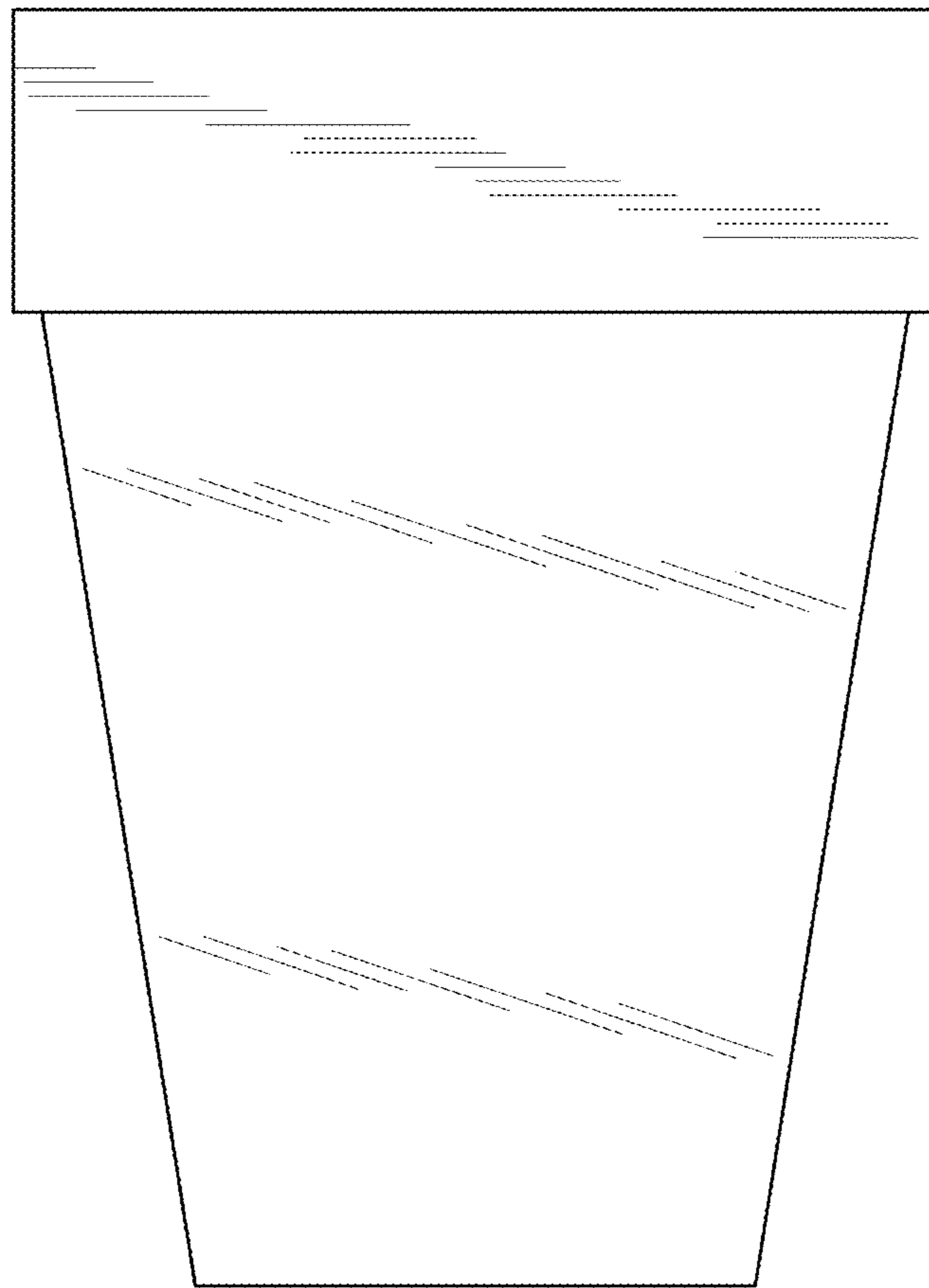


FIG. 2

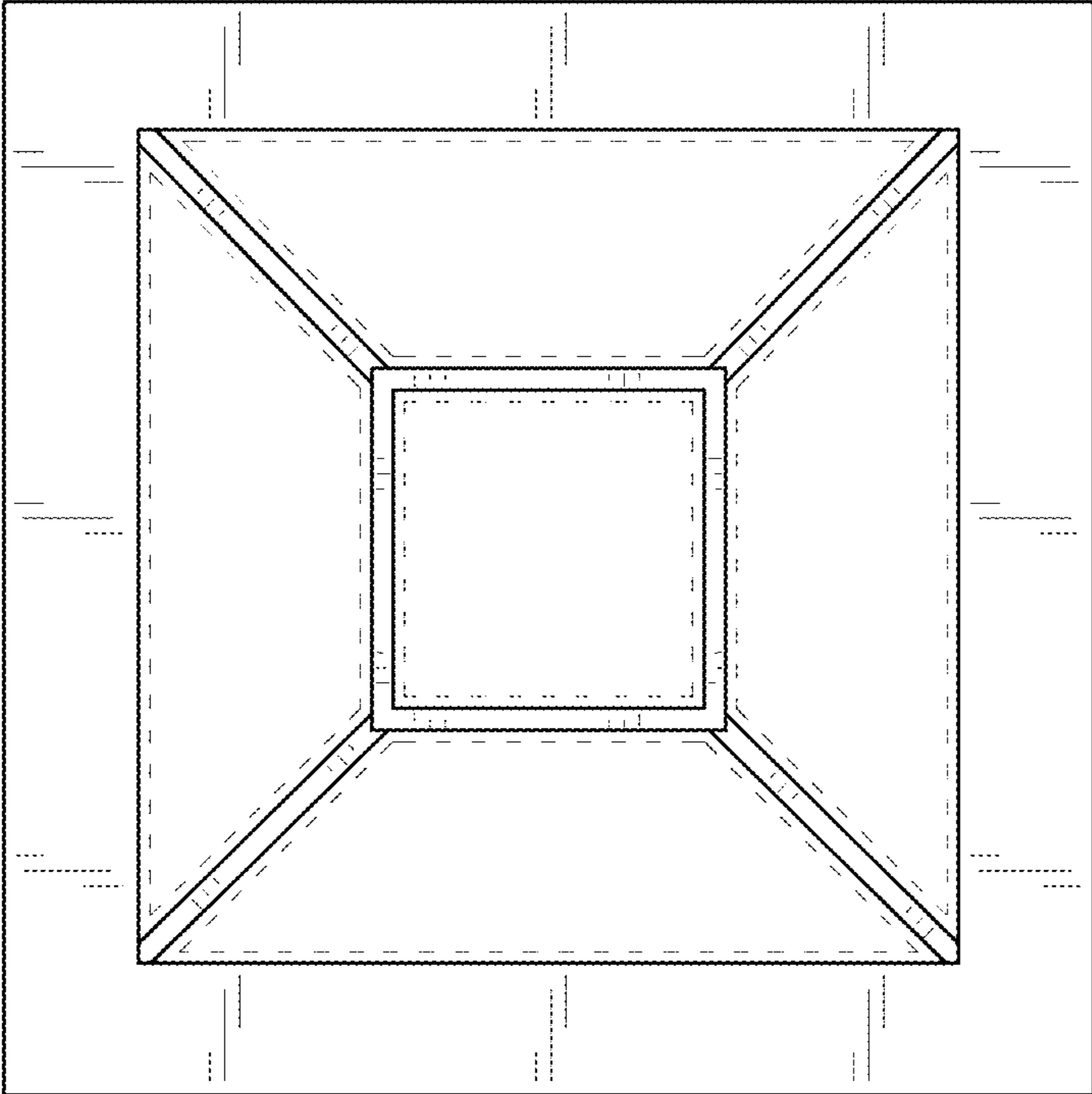


FIG. 3

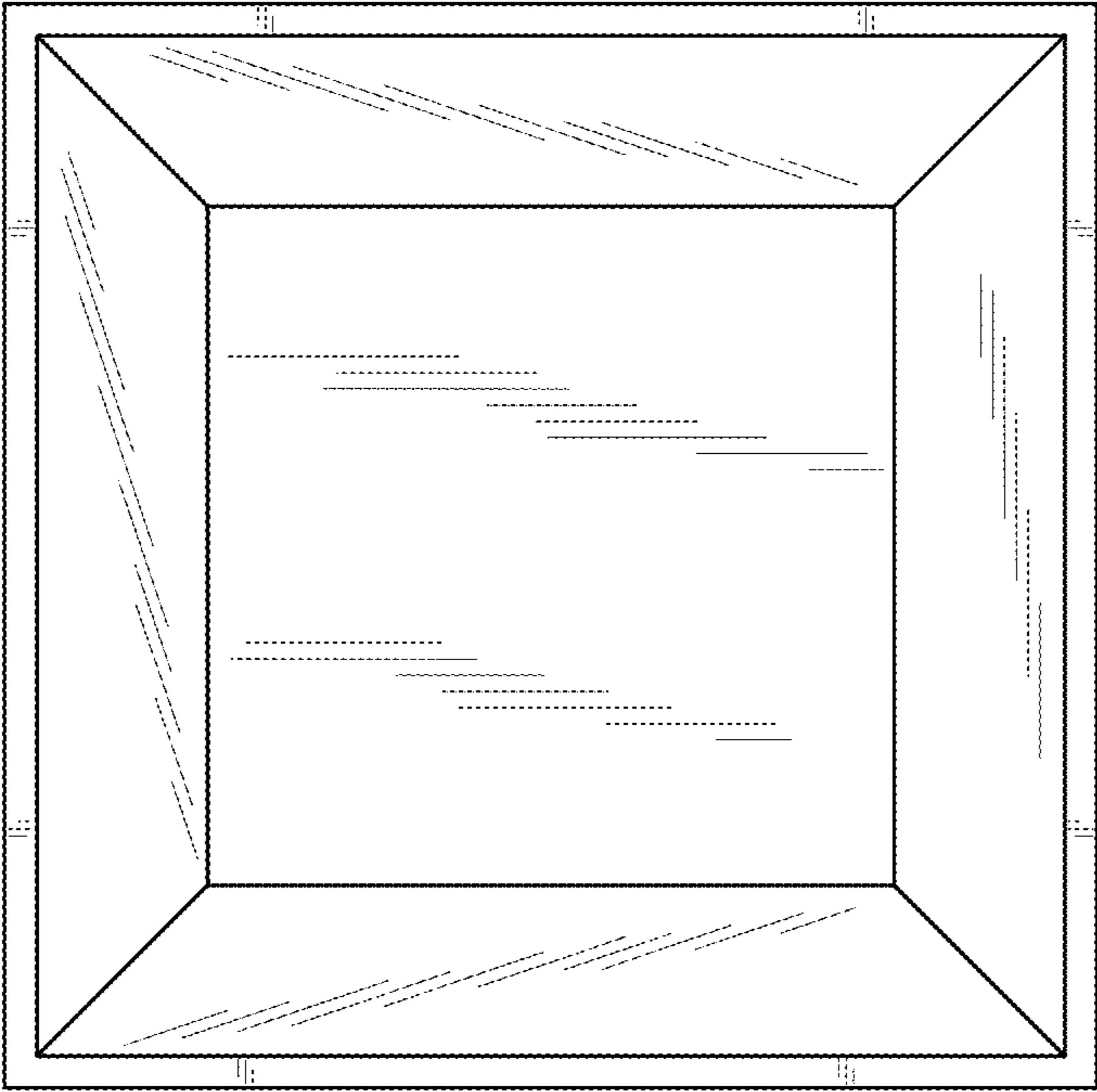


FIG. 4

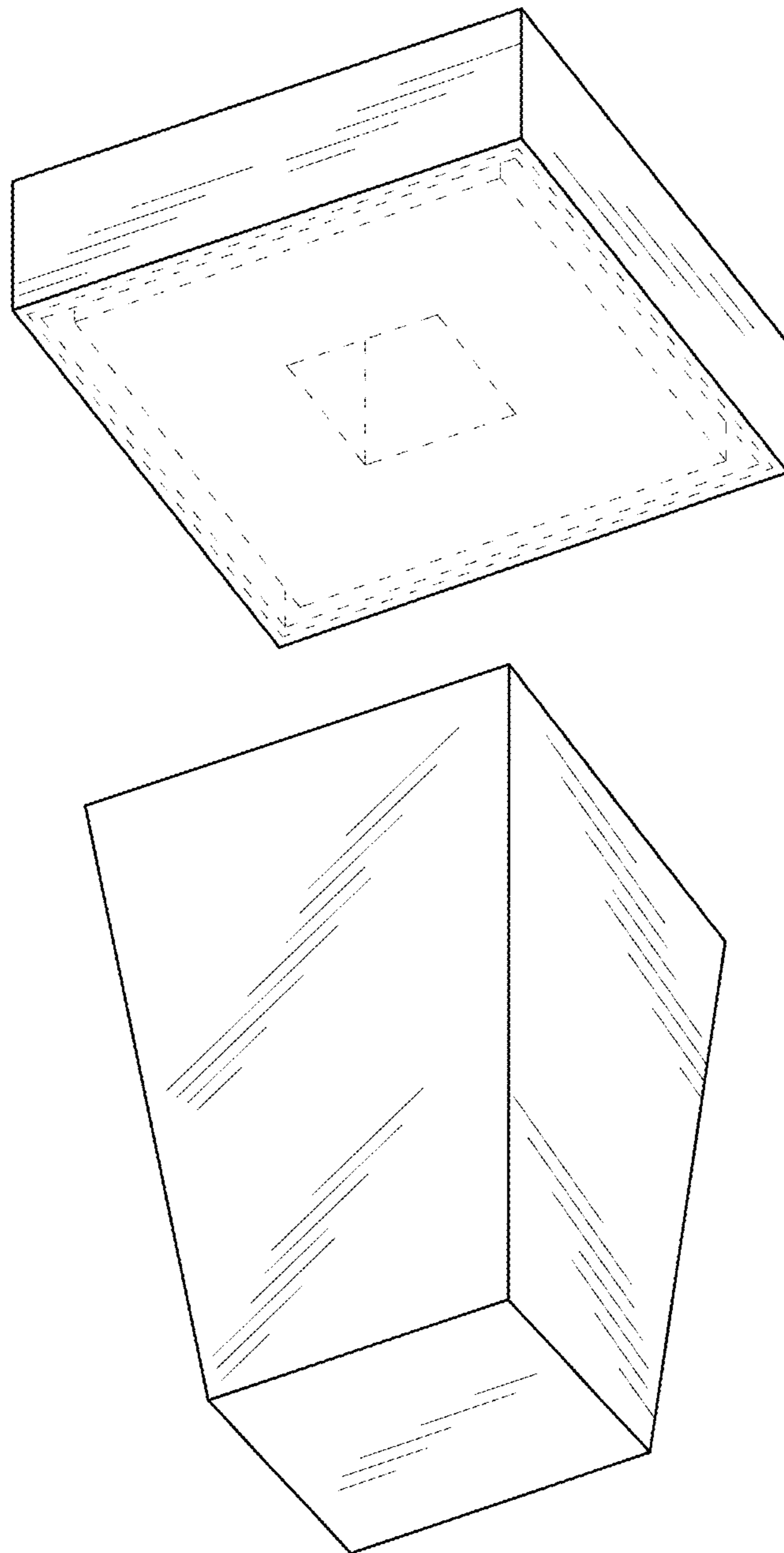


FIG. 5