



US00D772515S

(12) **United States Design Patent**
Orthey et al.

(10) **Patent No.:** **US D772,515 S**

(45) **Date of Patent:** **** Nov. 22, 2016**

(54) **STEAM GENERATING BASE FOR IRONS**

(71) Applicant: **De'Longhi Braun Household GmbH,**
Neu-Isenburg (DE)

(72) Inventors: **Markus Orthey,** Eltville am Rhein
(DE); **Duy P. Vu,** Schwalbach am
Taunus (DE)

(73) Assignee: **DE'LONGHI BRAUN HOUSEHOLD**
GMBH, Neu-Isenburg (DE)

D452,354 S 12/2001 Hsu
D463,641 S 9/2002 Powell
D470,637 S 2/2003 Berthier
D470,986 S 2/2003 Berthier
D484,658 S 12/2003 Schupp
D548,418 S 8/2007 Cahen
D564,166 S 3/2008 Yang
D568,021 S 4/2008 Lebot et al.
D576,369 S 9/2008 Choi
D576,370 S 9/2008 Choi
D579,160 S 10/2008 Lebot et al.

(Continued)

(**) Term: **14 Years**

OTHER PUBLICATIONS

(21) Appl. No.: **29/510,497**

U.S. Appl. No. 29/510,495, Steam Generating Base for Irons, Nov. 28, 2014.

(22) Filed: **Nov. 28, 2014**

Primary Examiner — Austin Murphy

(30) **Foreign Application Priority Data**

(74) *Attorney, Agent, or Firm* — Goodwin Procter LLP

May 28, 2014 (EM) 002472621

(51) **LOC (10) Cl.** **07-05**

(52) **U.S. Cl.**
USPC **D32/73**

(58) **Field of Classification Search**
USPC D32/70, 71, 73, 72, 69, 68, 35; D8/71,
D8/373, 349, 396, 30; D15/144, 144.2;
D28/73; 219/231, 242, 229; 165/80.1;
126/414

CPC D06F 75/34; D06F 75/08; D06F 75/38;
D06F 75/00; F22B 27/14; B08B 3/006

See application file for complete search history.

(57) **CLAIM**

The ornamental design for a steam generating base for irons,
as shown and described.

DESCRIPTION

FIG. 1 is a left side view of a steam generating base for irons;
FIG. 2 is a right side view of the steam generating base for
irons;
FIG. 3 is a front view of the steam generating base for irons;
FIG. 4 is a rear view of the steam generating base for irons;
FIG. 5 is a top view of the steam generating base for irons;
FIG. 6 is a bottom view of the steam generating base for
irons; and,
FIG. 7 is a top perspective view of the steam generating base
for irons.

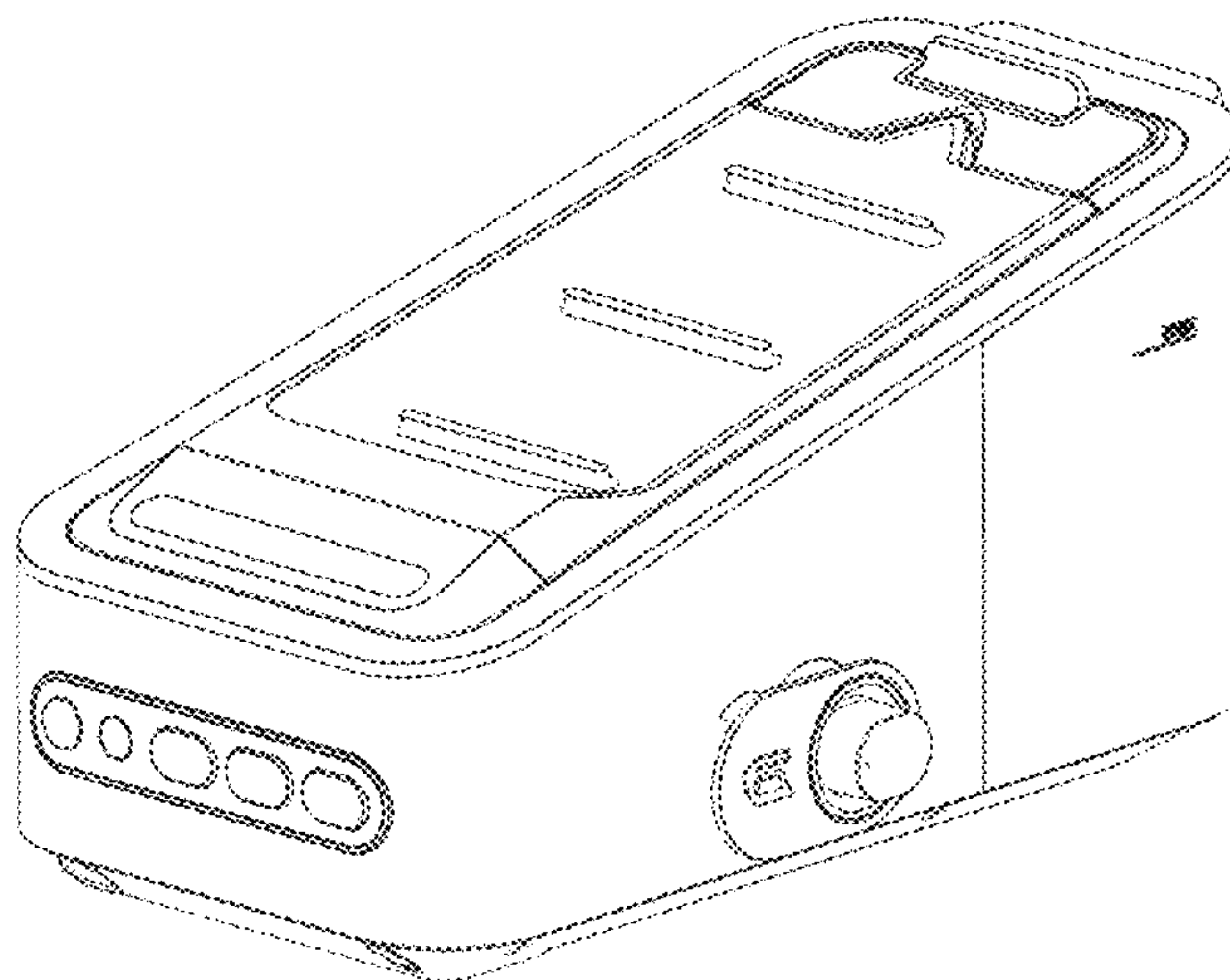
The broken lines shown in the drawings of the steam
generating base for irons are for illustrative purposes only
and form no part of the claimed design.

(56) **References Cited**

U.S. PATENT DOCUMENTS

D360,723 S 7/1995 Kasai et al.
D388,921 S 1/1998 Doria
D423,163 S 4/2000 Stutzer et al.
D439,023 S 3/2001 Powell
6,212,332 B1 4/2001 Sham et al.

1 Claim, 5 Drawing Sheets



(56)

References Cited

U.S. PATENT DOCUMENTS

D581,620 S 11/2008 Chu
D608,068 S 1/2010 Choi
D647,771 S * 11/2011 Schoch D8/61
D660,538 S * 5/2012 Smith D32/71
D667,600 S * 9/2012 Smith D32/70
D683,202 S * 5/2013 Aglassinger D8/61
D693,083 S 11/2013 Smith

D701,362 S 3/2014 Smith
D707,904 S 6/2014 Salagnac
D738,058 S * 9/2015 La Rovere D32/70
D738,059 S * 9/2015 Esteve D32/73
D738,060 S * 9/2015 La Rovere D32/71
D738,586 S * 9/2015 La Rovere D32/70
D738,587 S * 9/2015 La Rovere D32/71
D739,629 S * 9/2015 Luang D32/70
D745,238 S * 12/2015 Orthey D32/71
D746,529 S * 12/2015 Orthey D32/73

* cited by examiner

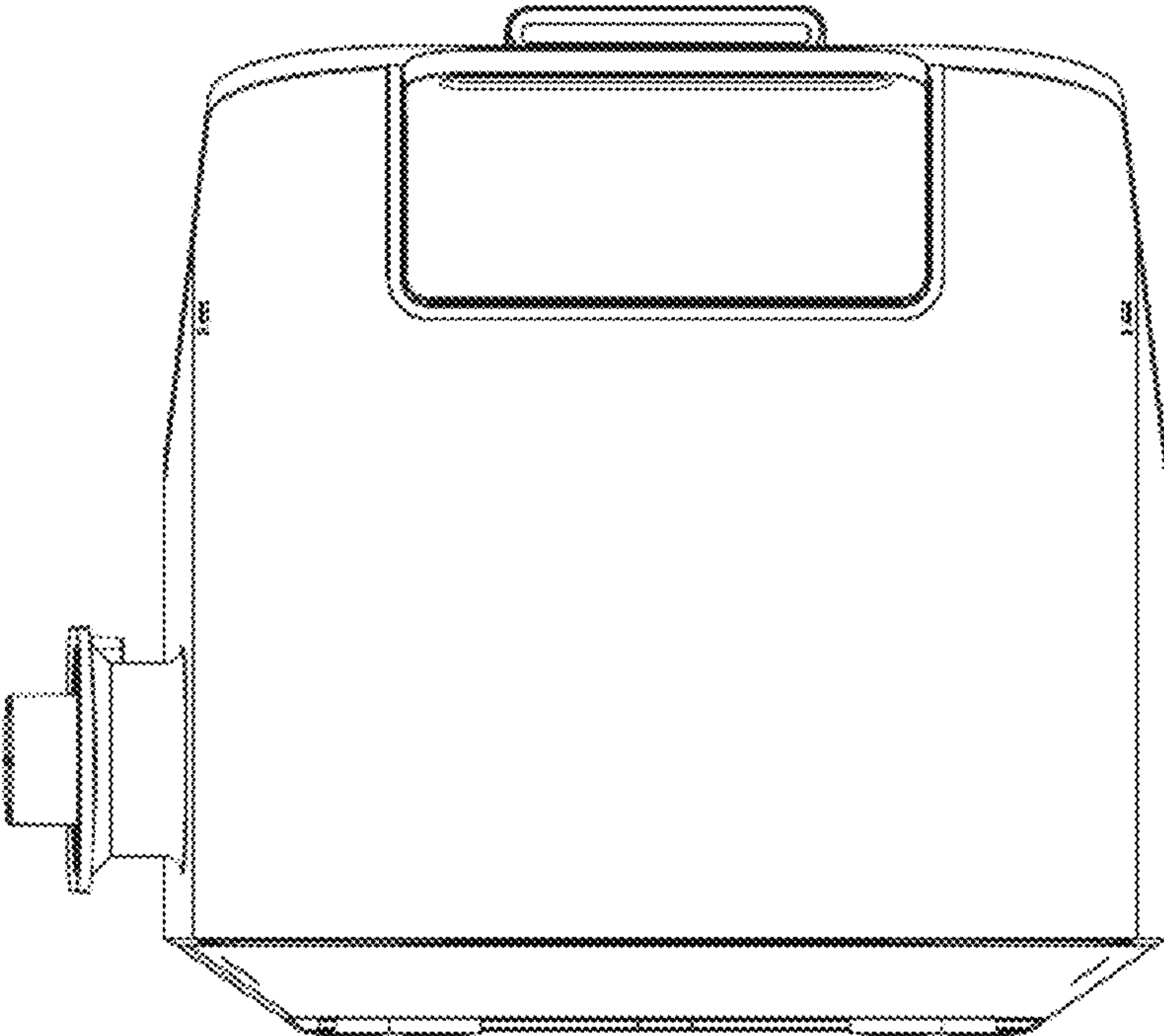


FIG. 1

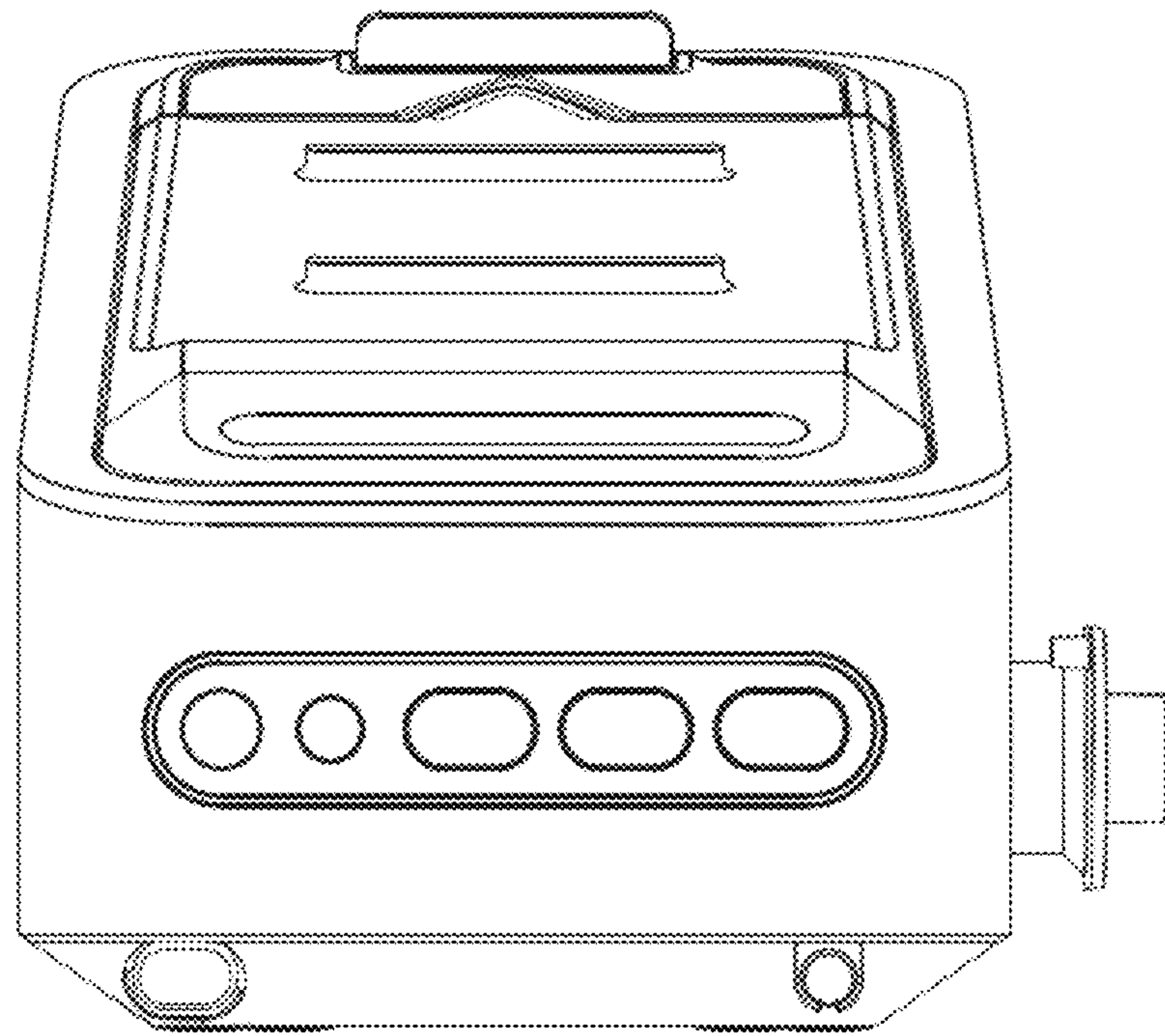


FIG. 2

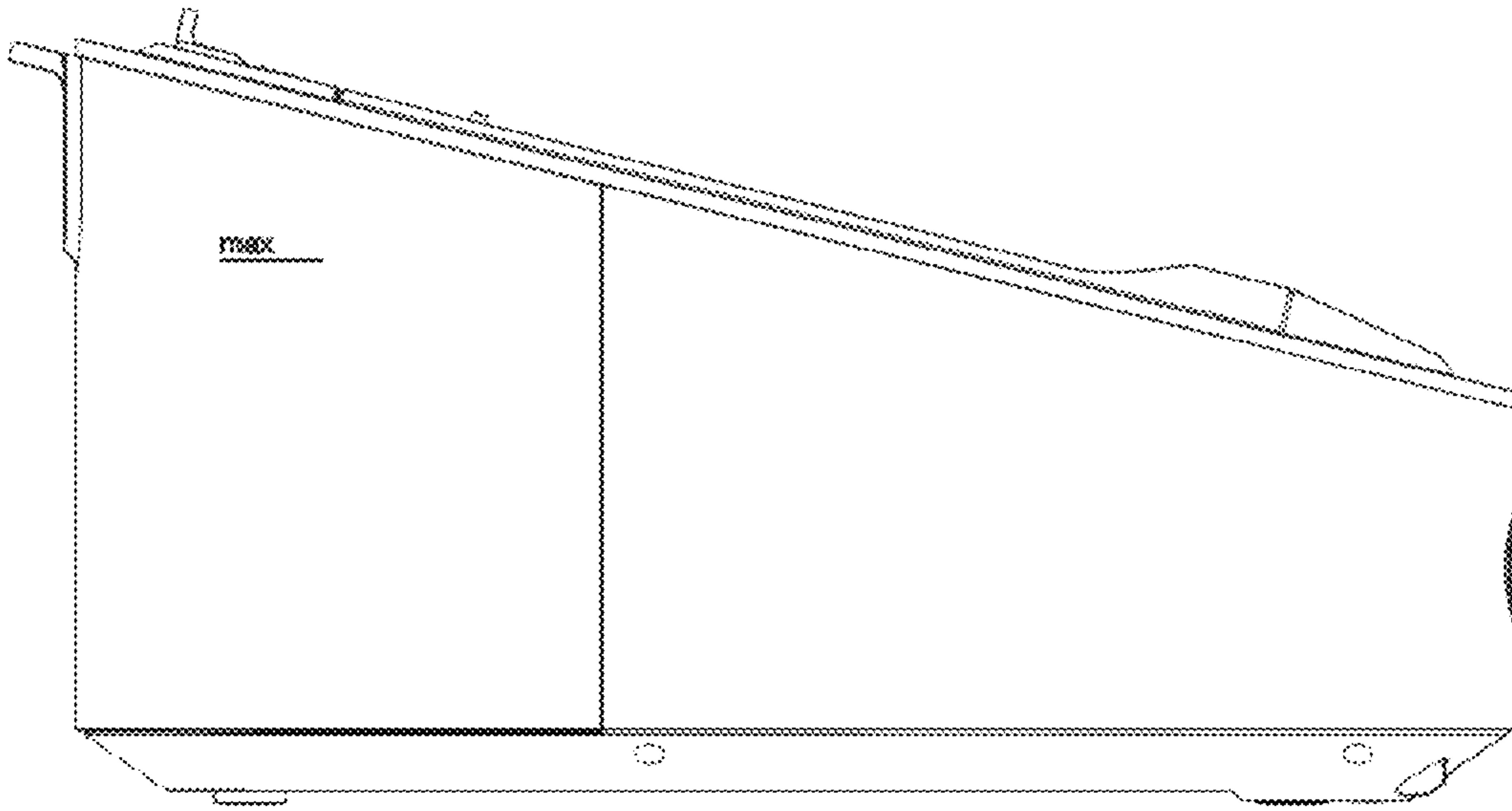


FIG. 3

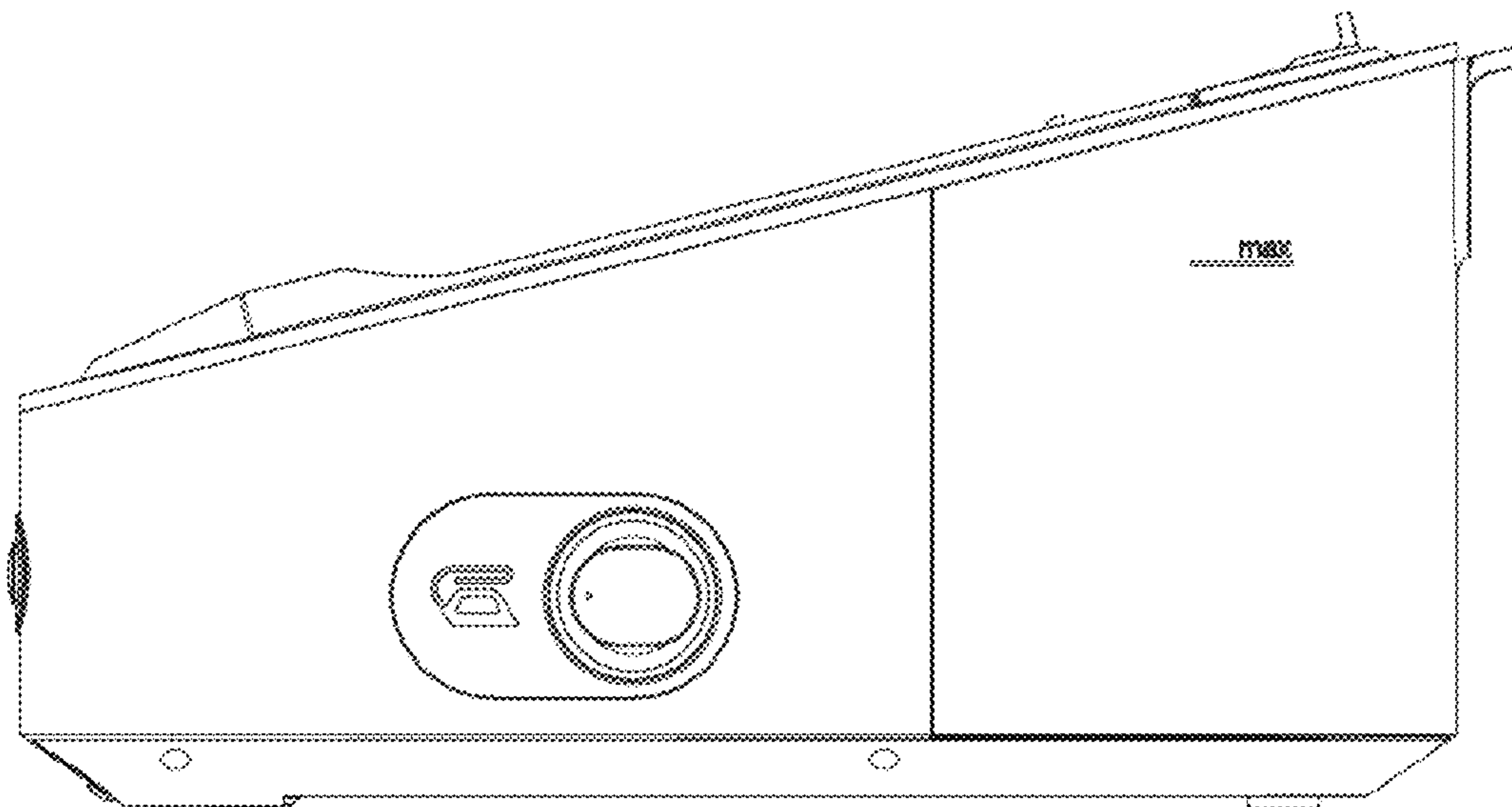


FIG. 4

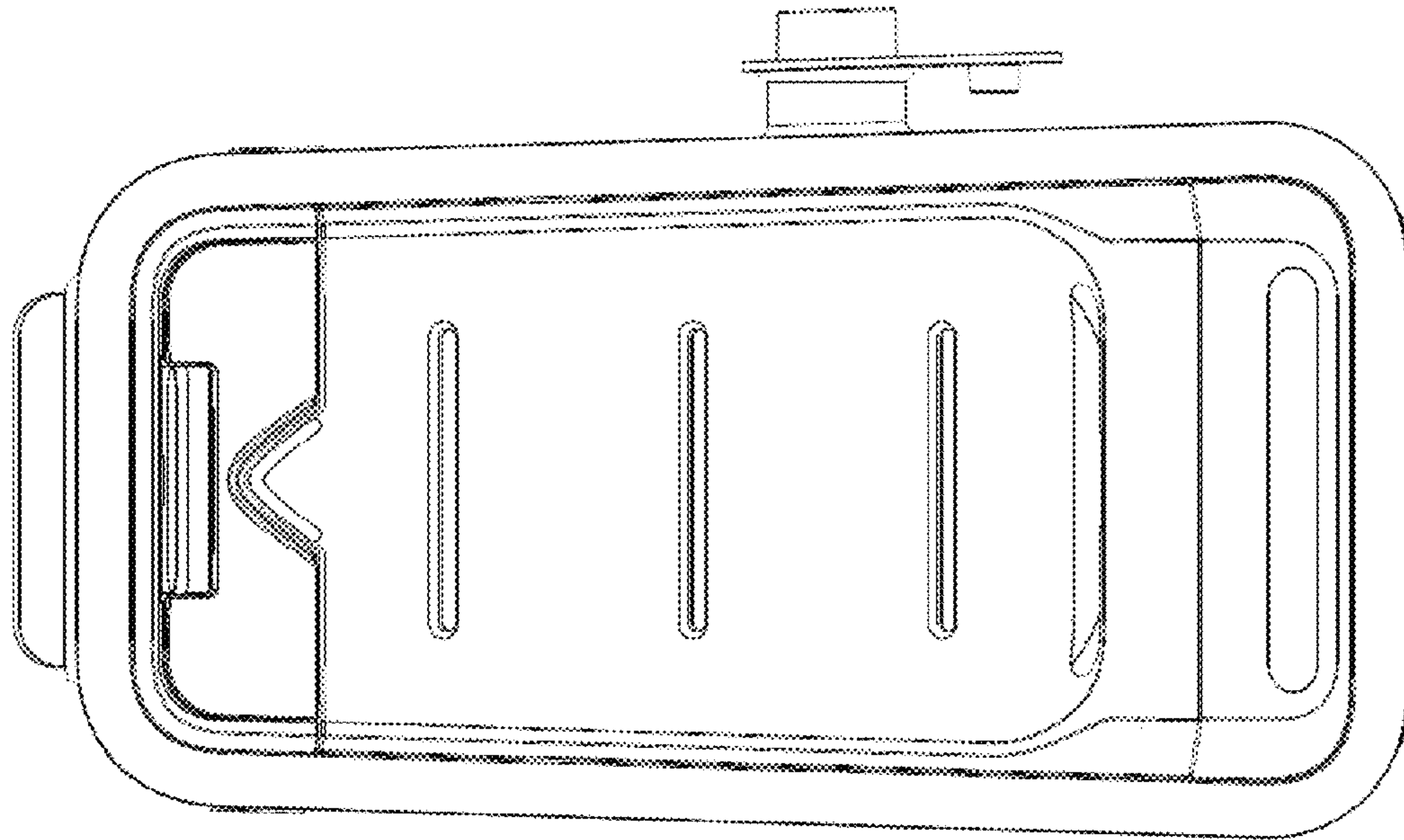


FIG. 5

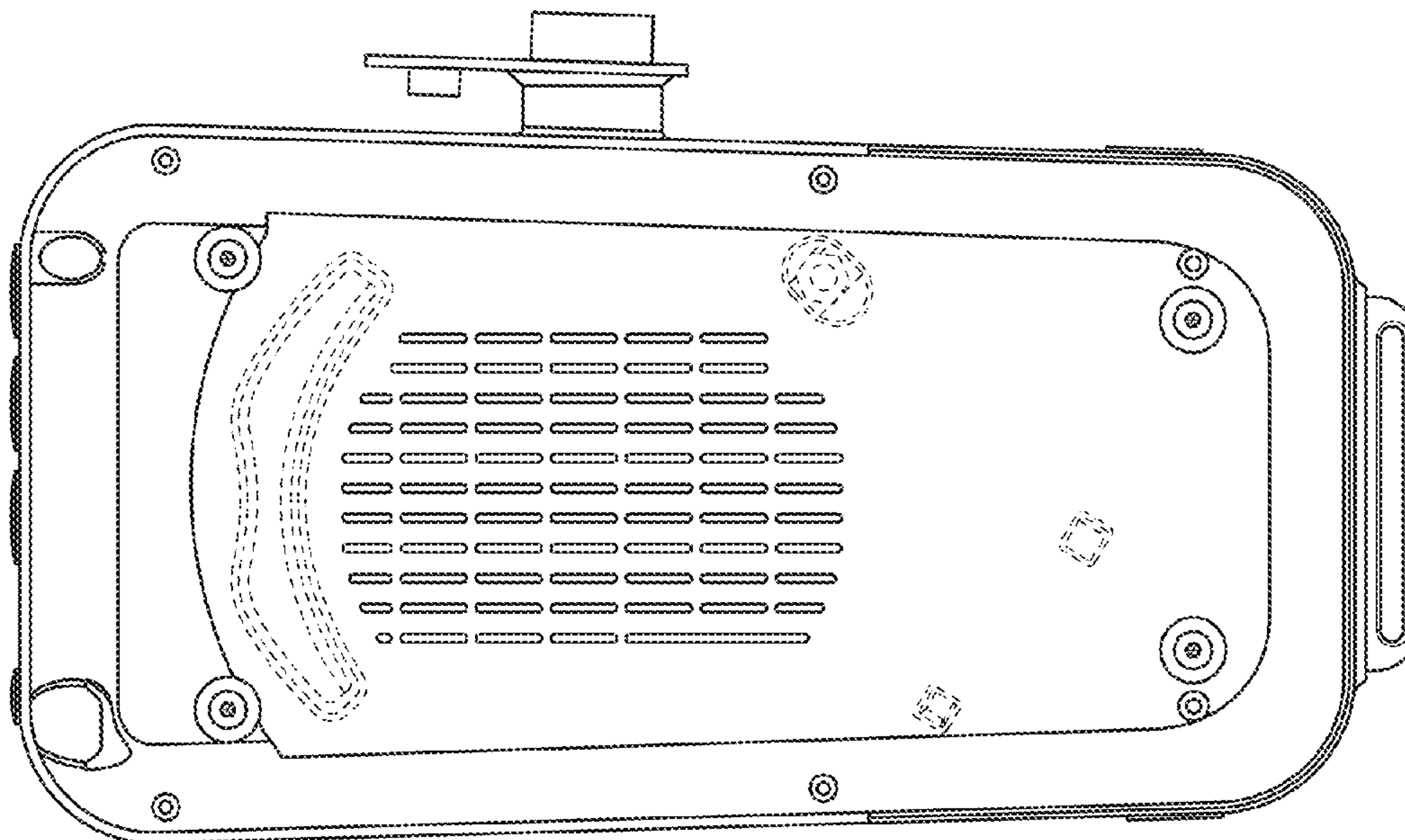


FIG. 6

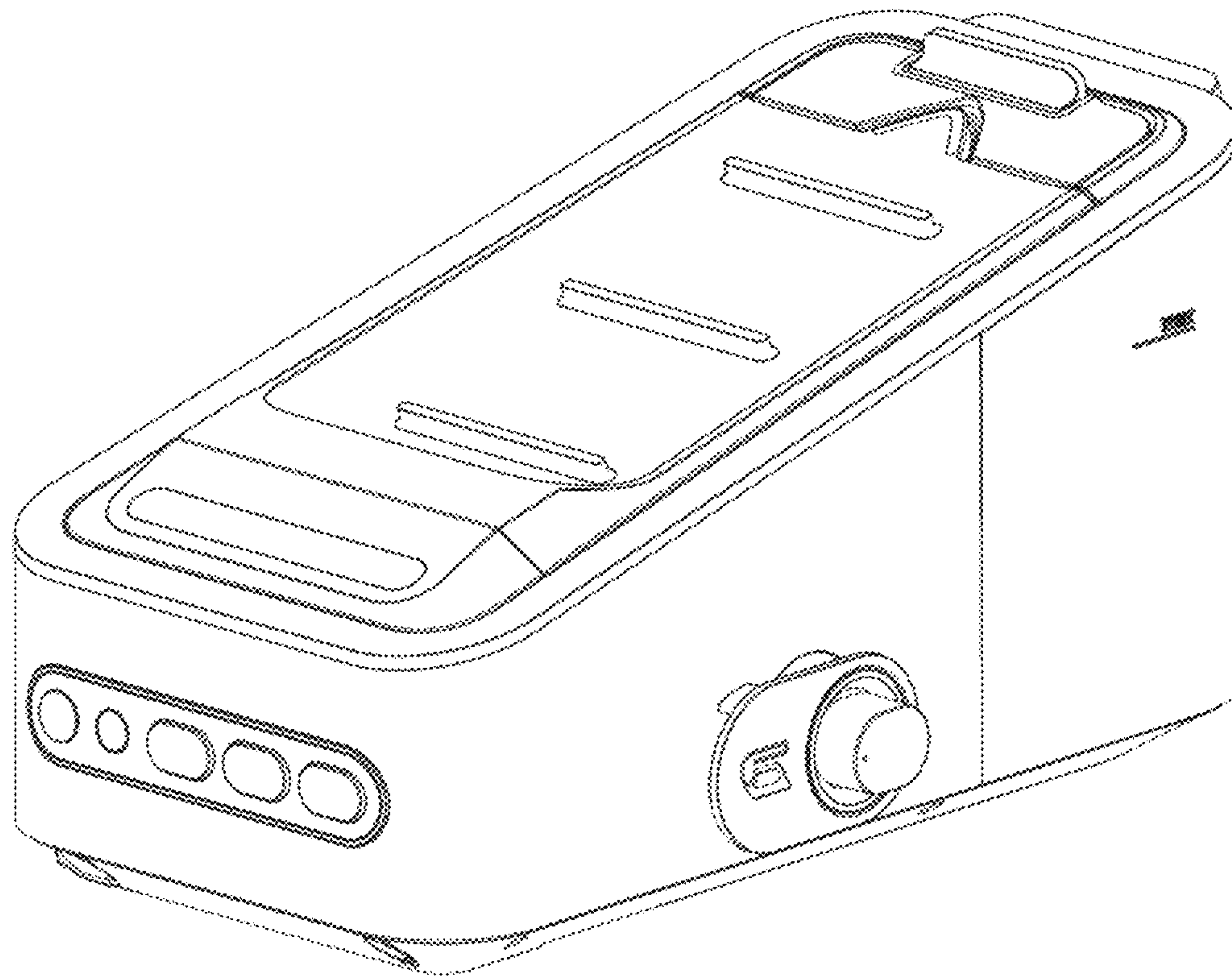


FIG. 7