



US00D772513S

(12) **United States Design Patent**
Mitford

(10) **Patent No.:** **US D772,513 S**

(45) **Date of Patent:** **** Nov. 22, 2016**

- (54) **PAINT CAN TOPPER**
- (71) Applicant: **Robert John Charles Mitford**, Deal (GB)
- (72) Inventor: **Robert John Charles Mitford**, Deal (GB)
- (**) Term: **15 Years**
- (21) Appl. No.: **29/555,815**
- (22) Filed: **Feb. 25, 2016**
- (51) **LOC (10) Cl.** **07-07**
- (52) **U.S. Cl.**
USPC **D32/54**
- (58) **Field of Classification Search**
USPC D32/53-54; 222/570; 220/694-701
CPC B44D 3/128
See application file for complete search history.

- 5,297,695 A * 3/1994 Provence B44D 3/123
220/23.83
- D345,833 S * 4/1994 Truran D32/54
- D476,787 S * 7/2003 Templeton D32/54
- D489,261 S * 5/2004 Doelling D32/54
- 7,134,576 B2 * 11/2006 Gringer B44D 3/128
220/701
- D633,676 S * 3/2011 Erdfarb D32/54

* cited by examiner

Primary Examiner — Robin V Webster
(74) *Attorney, Agent, or Firm* — Keusey & Associates, P.C.

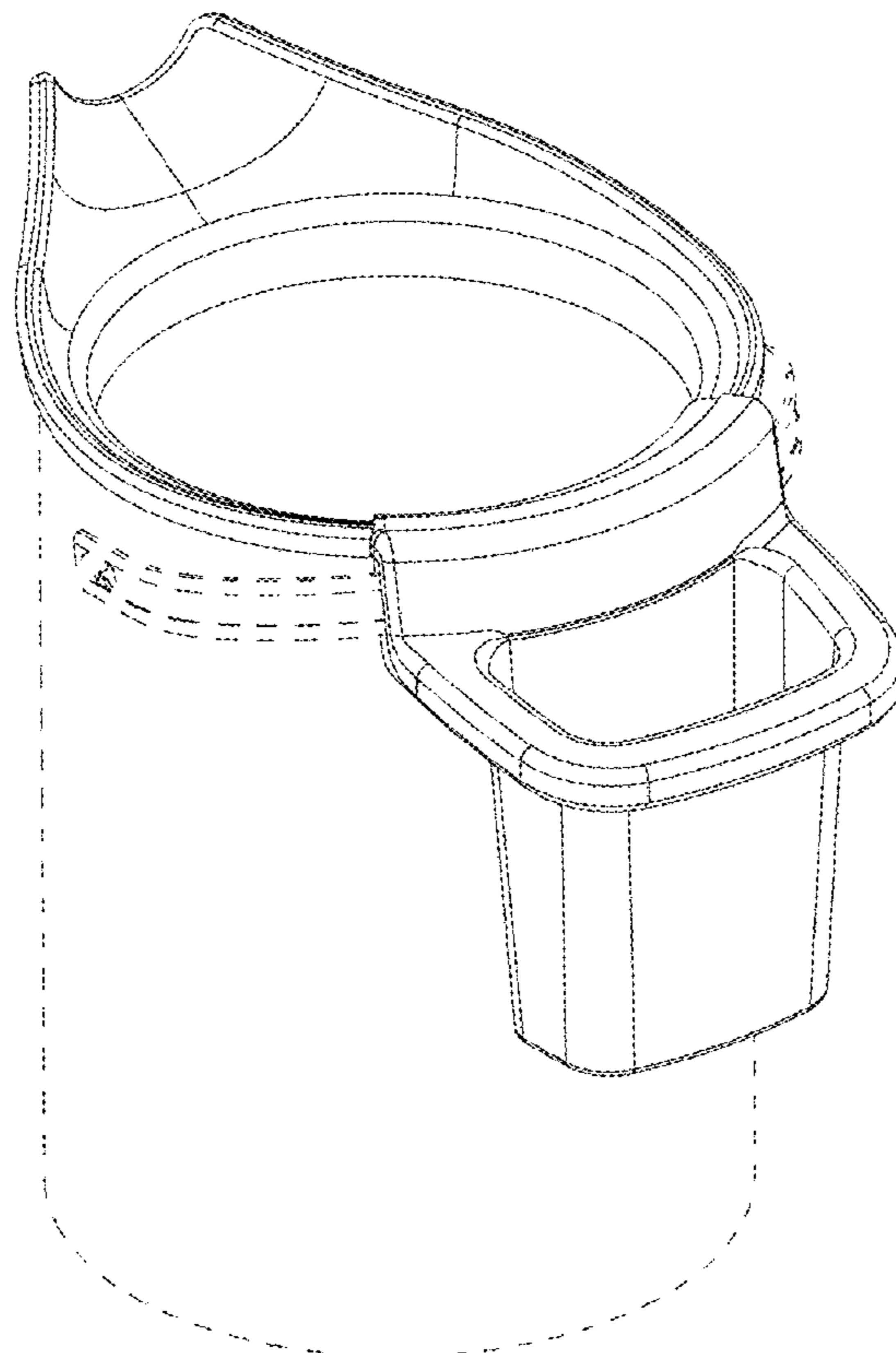
(57) **CLAIM**
I claim the ornamental design for a paint can topper, as shown and described.

DESCRIPTION

FIG. 1 is a top, front, left side perspective view of my new design of a paint can topper with the components assembled. FIG. 2 is a top, front, left side exploded view thereof showing the components in relation to a paint container. FIG. 3 is a right side elevational view of the assembled components fitted to a paint container, the left side elevational view being a mirror image thereof. FIG. 4 is a top, rear, right side perspective view thereof; and, FIG. 5 is a top plan view thereof. The dotted line representations of a paint container in FIGS. 2, 3, 4 and 5 are included to show environmental structure and form no part of the claimed design.

1 Claim, 5 Drawing Sheets

- (56) **References Cited**
U.S. PATENT DOCUMENTS
- 3,688,943 A * 9/1972 Brown B44D 3/123
15/257.05
- 4,225,064 A * 9/1980 Westcott B44D 3/128
220/695
- 4,436,217 A * 3/1984 Ritter B44D 3/123
206/361
- D300,970 S * 5/1989 Walker D32/53



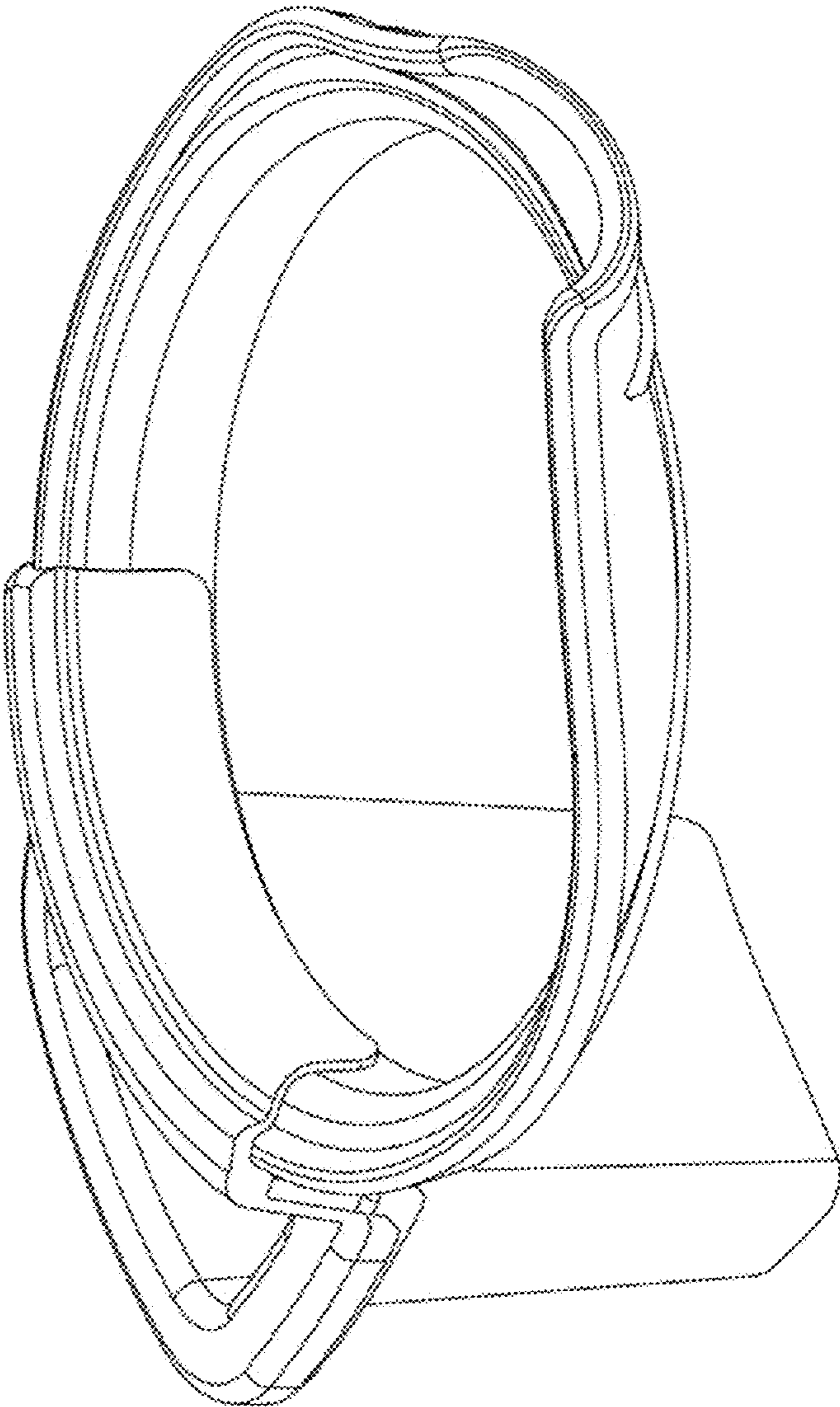


FIG. 1

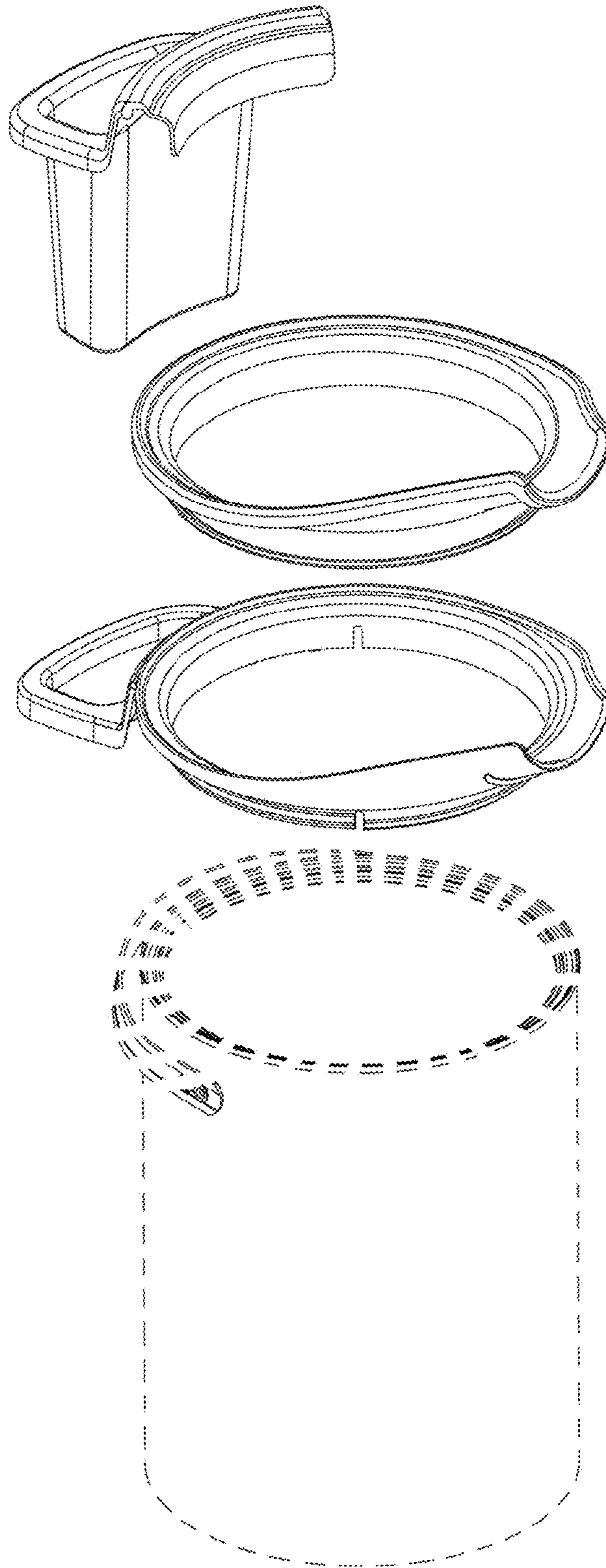


FIG. 2

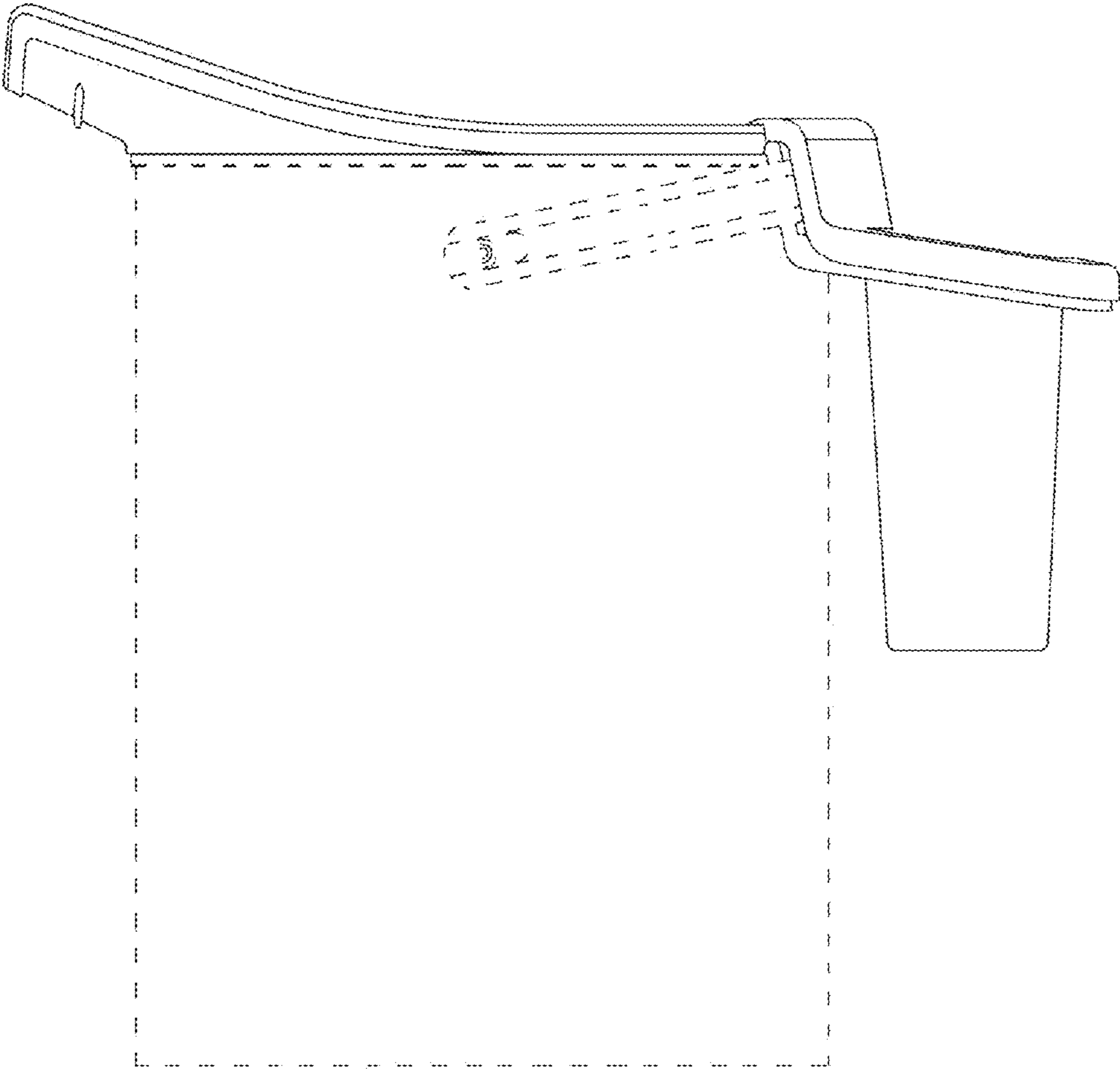


FIG. 3

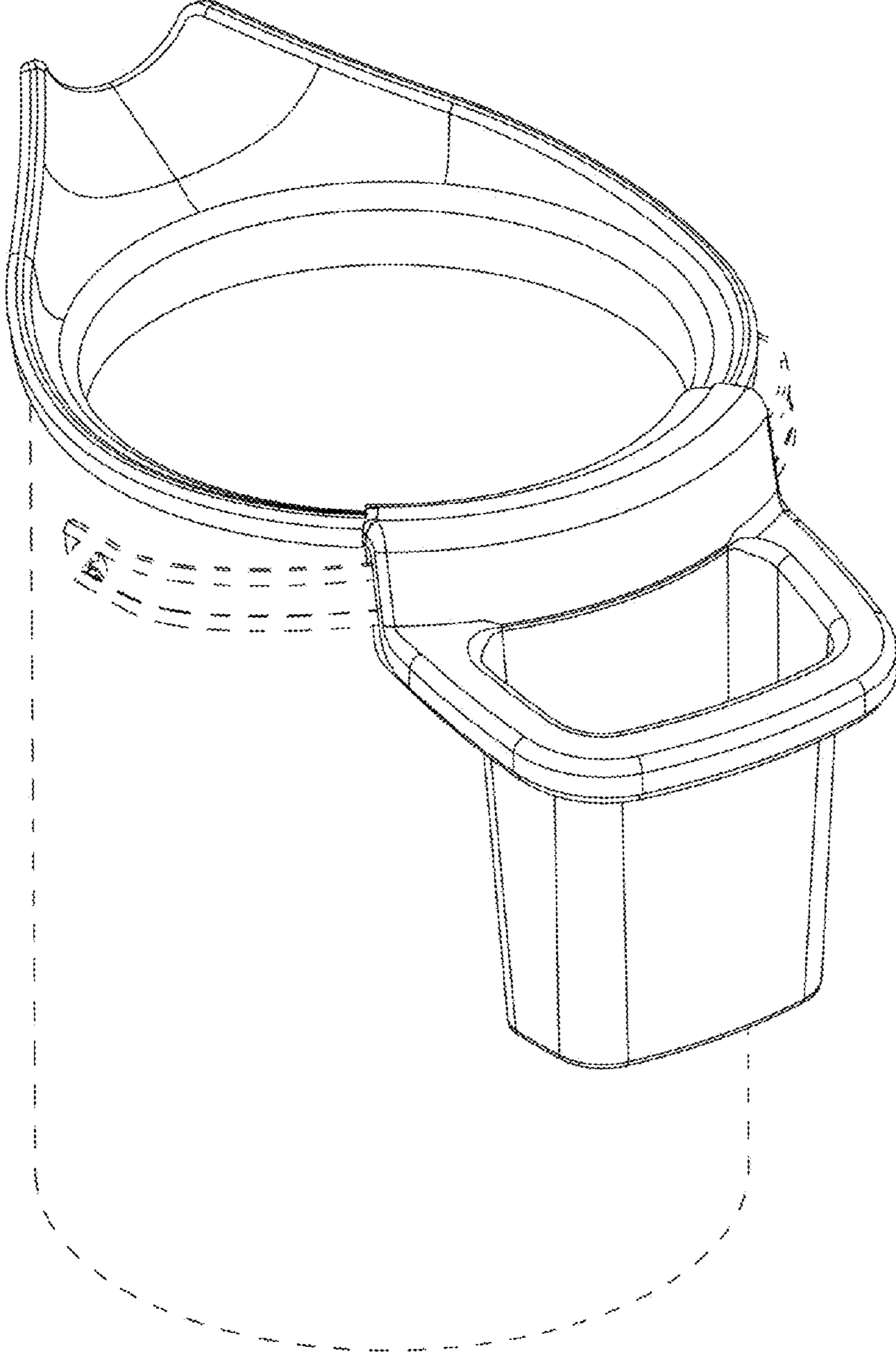


FIG. 4

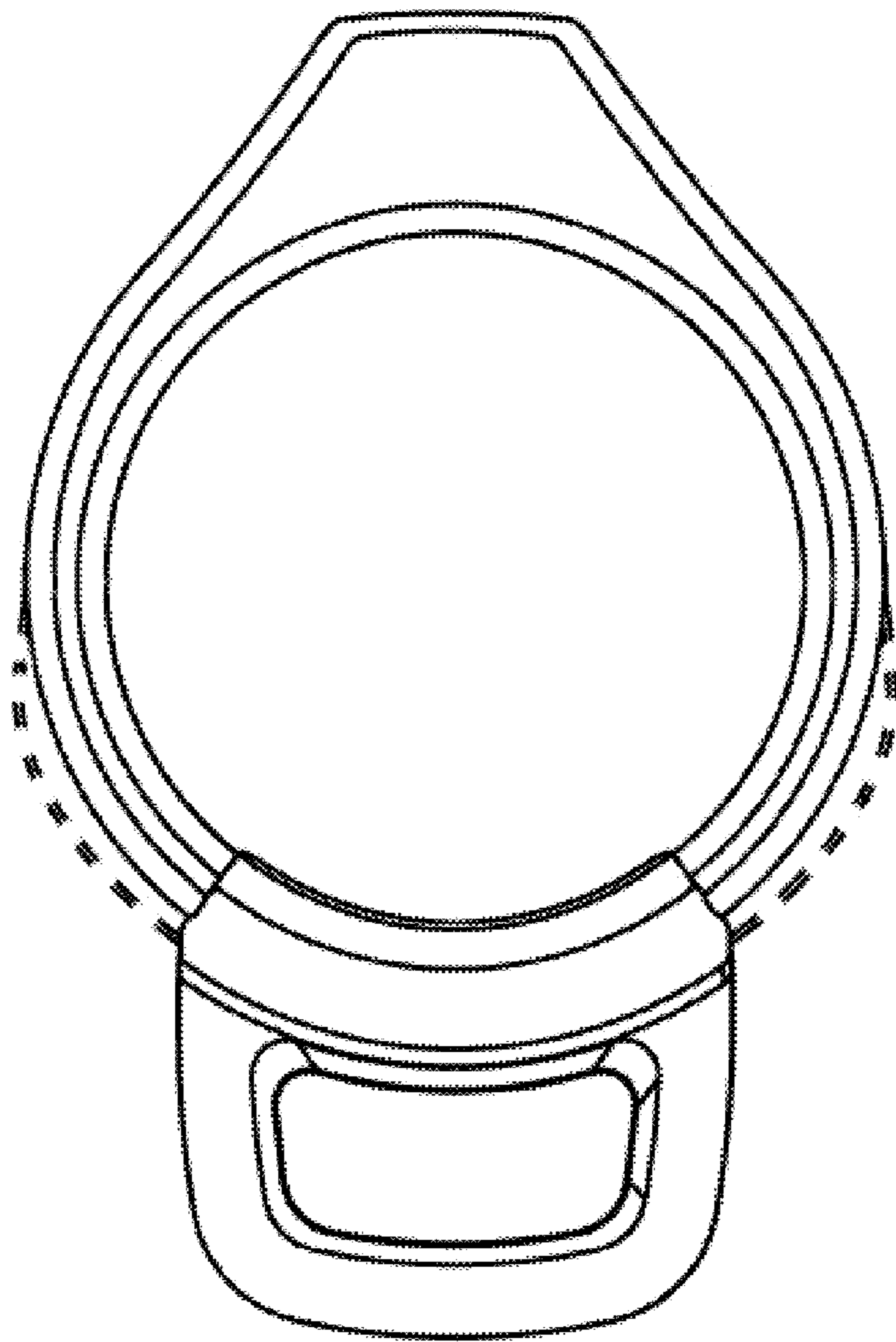


FIG. 5