



US00D772511S

(12) **United States Design Patent**
Uim et al.

(10) **Patent No.:** **US D772,511 S**

(45) **Date of Patent:** **** Nov. 22, 2016**

(54) **INTAKE FOR CLEANER**

(71) Applicant: **Samsung Electronics Co., Ltd.**,
Suwon-si, Gyeonggi-do (KR)

(72) Inventors: **Dong-Hyuk Uim**, Seoul (KR);
Sang-Hun Yoon, Seoul (KR);
Cheol-Yeon Jo, Seoul (KR); **Jae-Won Choi**, Seoul (KR)

(73) Assignee: **SAMSUNG ELECTRONICS CO., LTD.** (KR)

(**) Term: **15 Years**

(21) Appl. No.: **29/530,228**

(22) Filed: **Jun. 15, 2015**

(30) **Foreign Application Priority Data**

Dec. 15, 2014 (KR) 30-2014-0061039

(51) **LOC (10) Cl.** **15-05**

(52) **U.S. Cl.**
USPC **D32/33**

(58) **Field of Classification Search**
USPC D32/25, 31-33, 19-20
CPC A47L 9/02; A47L 9/06; A47L 5/28;
A47L 5/24; A47L 5/30; A47L 11/4044;
E04H 4/1654; E04H 4/34
See application file for complete search history.

(56) **References Cited**

U.S. PATENT DOCUMENTS

- D208,851 S * 10/1967 Lindberg, Jr. D32/33
- 5,347,679 A * 9/1994 Saunders A47L 5/28
15/329
- 5,867,864 A * 2/1999 Miller A47L 9/0416
15/322
- D488,600 S * 4/2004 Pecci D32/32
- D585,167 S * 1/2009 Wishney D32/32
- D603,569 S * 11/2009 Stratford D32/32

- D622,465 S * 8/2010 Crawley D32/33
- D640,431 S * 6/2011 Houghton D32/33
- D645,218 S * 9/2011 Rossano D32/33
- D681,897 S * 5/2013 Bruneel D32/33
- D712,607 S * 9/2014 Crawley D32/32
- D754,938 S * 4/2016 Bruneel D32/33
- 2008/0172818 A1 * 7/2008 Yoo A47L 9/04
15/246.3
- 2009/0077764 A1 * 3/2009 Hazen A47L 5/28
15/300.1
- 2012/0144621 A1 * 6/2012 Forbes A46B 13/008
15/389

FOREIGN PATENT DOCUMENTS

- JP D1472126 S 5/2013
- KR 3020060021113 S 6/2006
- KR 3020120041958 S 8/2012

* cited by examiner

Primary Examiner — Ruth McInroy

(74) *Attorney, Agent, or Firm* — Cantor Colburn LLP

(57) **CLAIM**

The ornamental design for an intake for cleaner, as shown and described.

DESCRIPTION

FIG. 1 is a top perspective view of an intake for cleaner, showing our new design;
 FIG. 2 is a front view thereof;
 FIG. 3 is a rear view thereof;
 FIG. 4 is a side view thereof;
 FIG. 5 is another side view thereof;
 FIG. 6 is a top view thereof;
 FIG. 7 is a bottom view thereof;
 FIG. 8 is a bottom perspective view thereof; and,
 FIG. 9 is another side view thereof as shown in another configuration.
 The broken lines are for environmental purpose only and form no part of the claimed design.

1 Claim, 9 Drawing Sheets

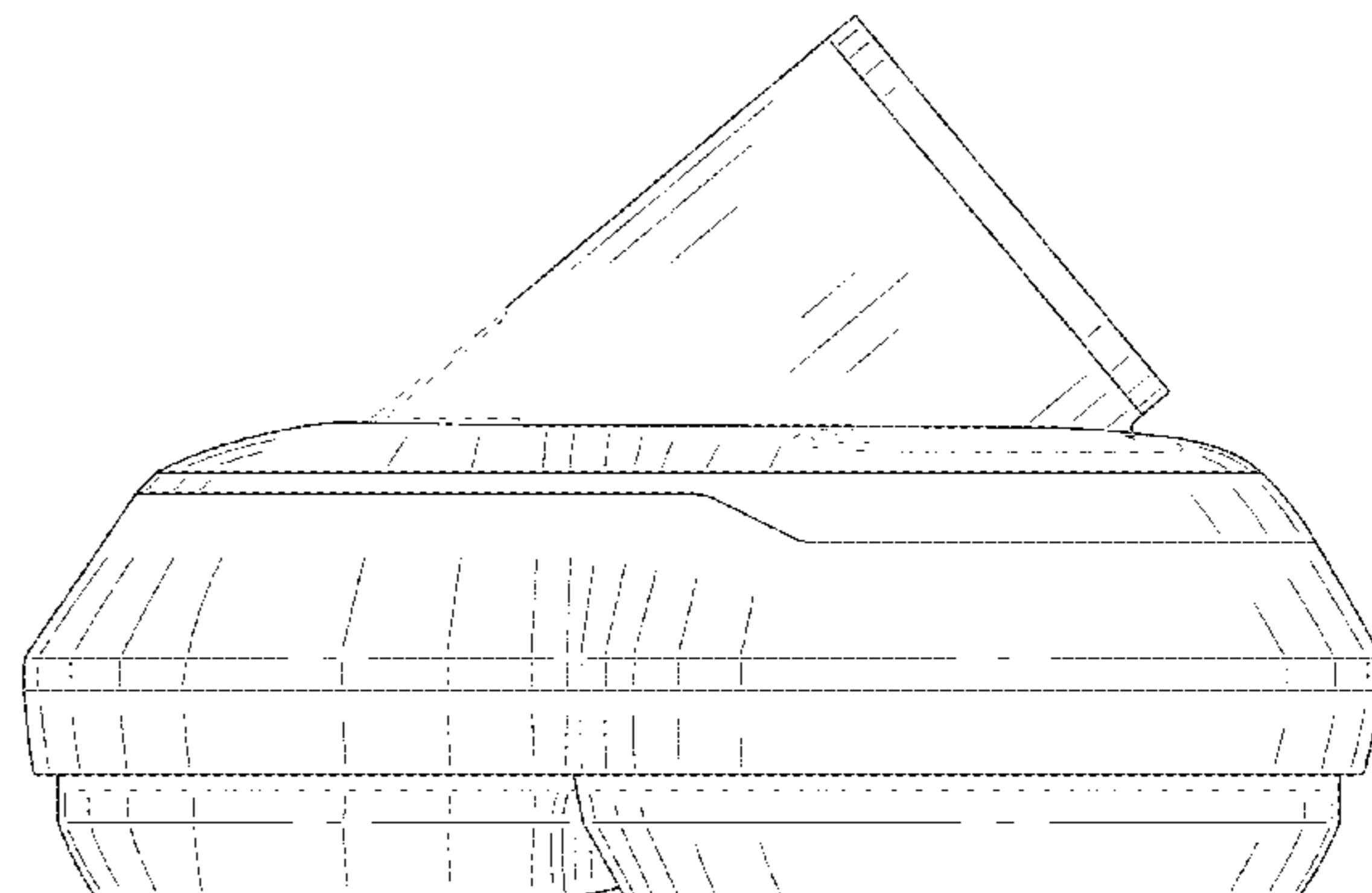
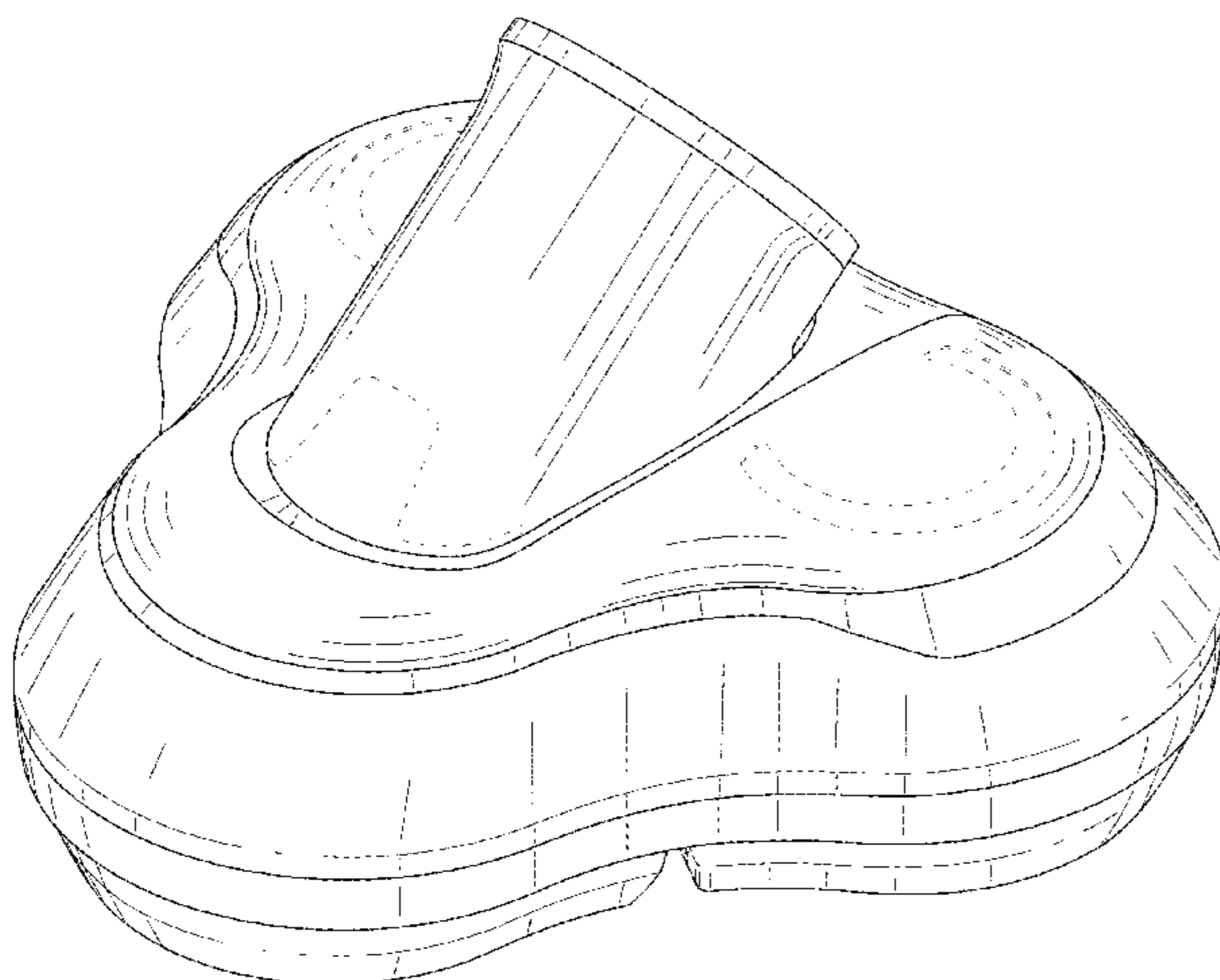


FIG. 1

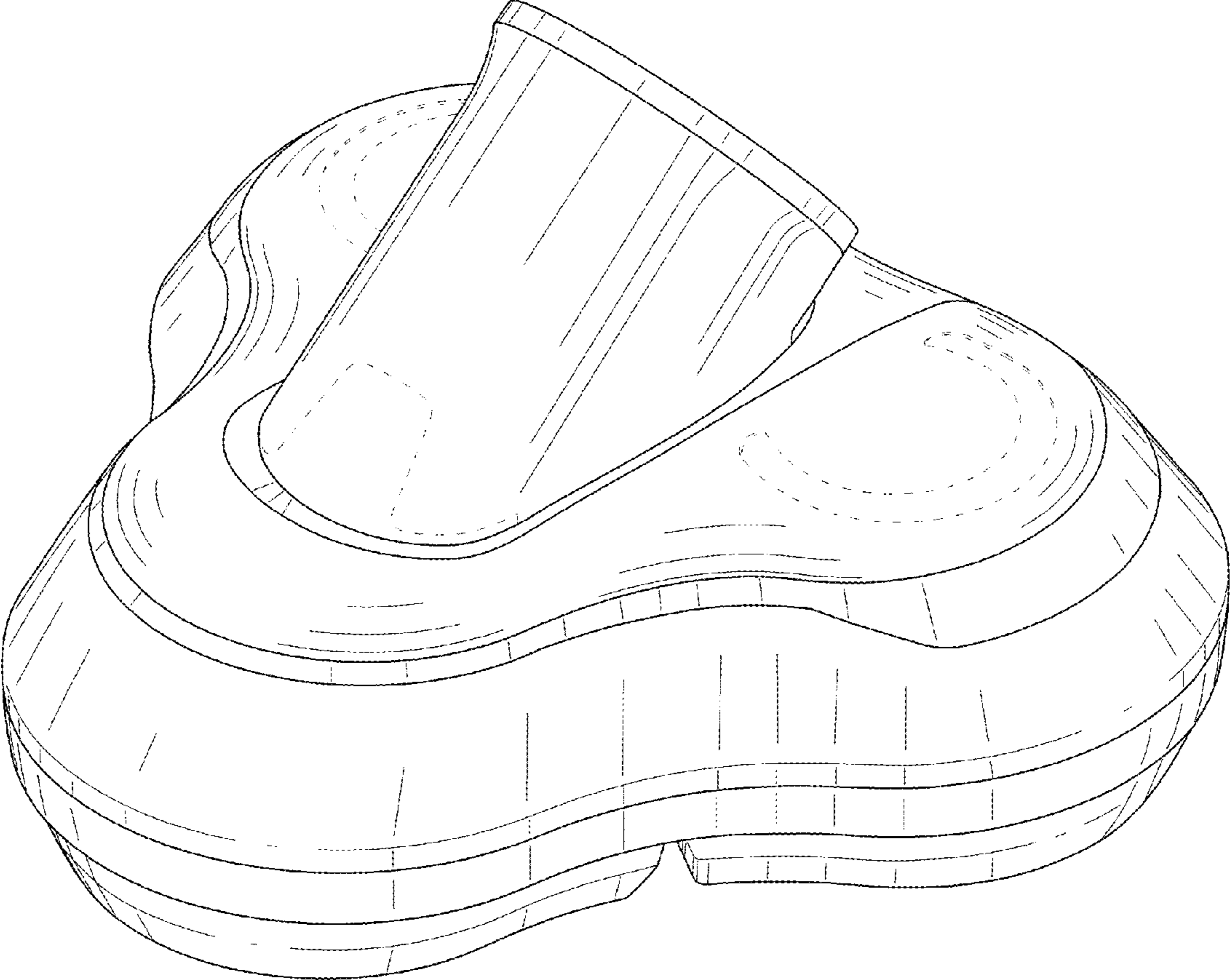


FIG. 2

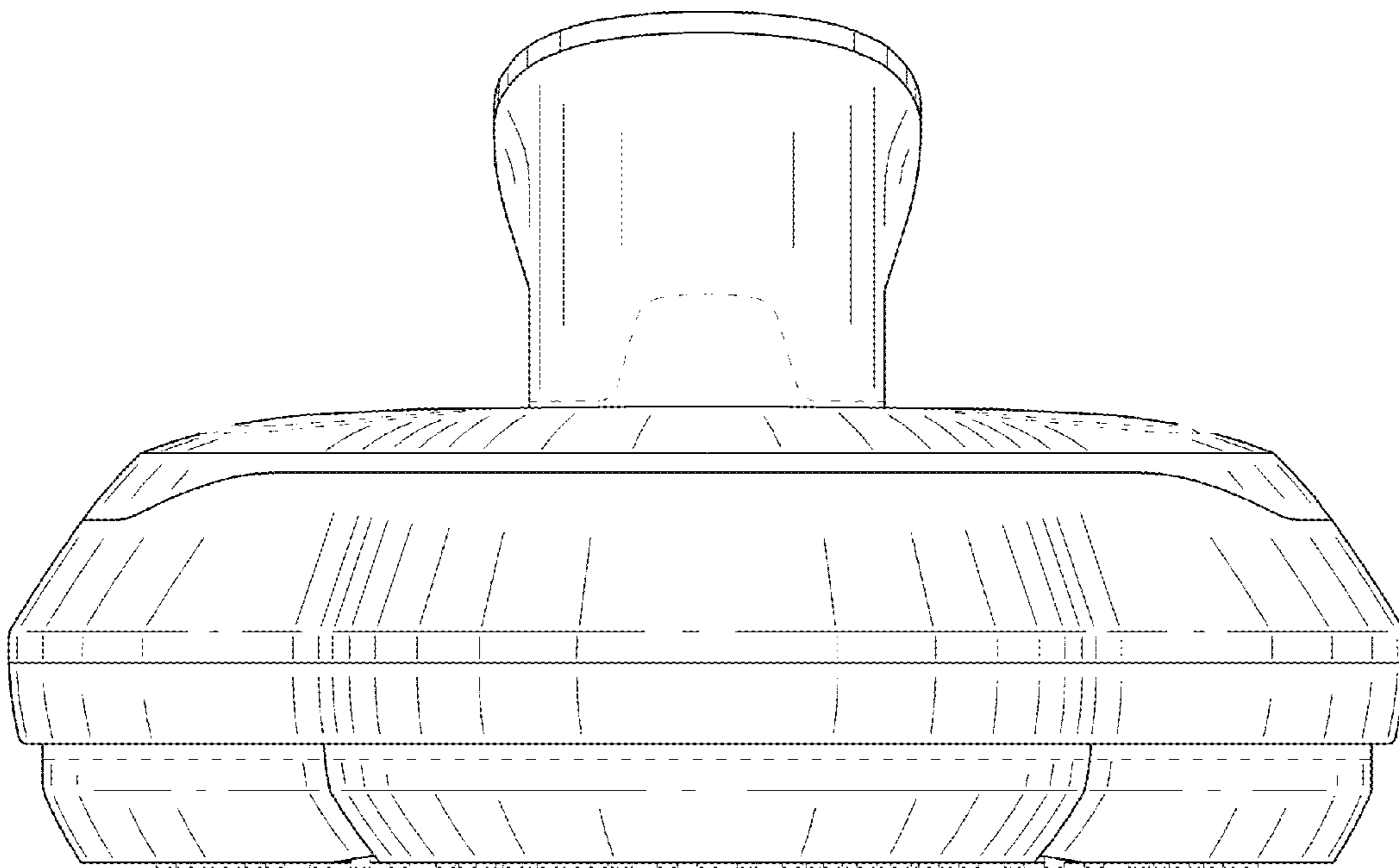


FIG. 3

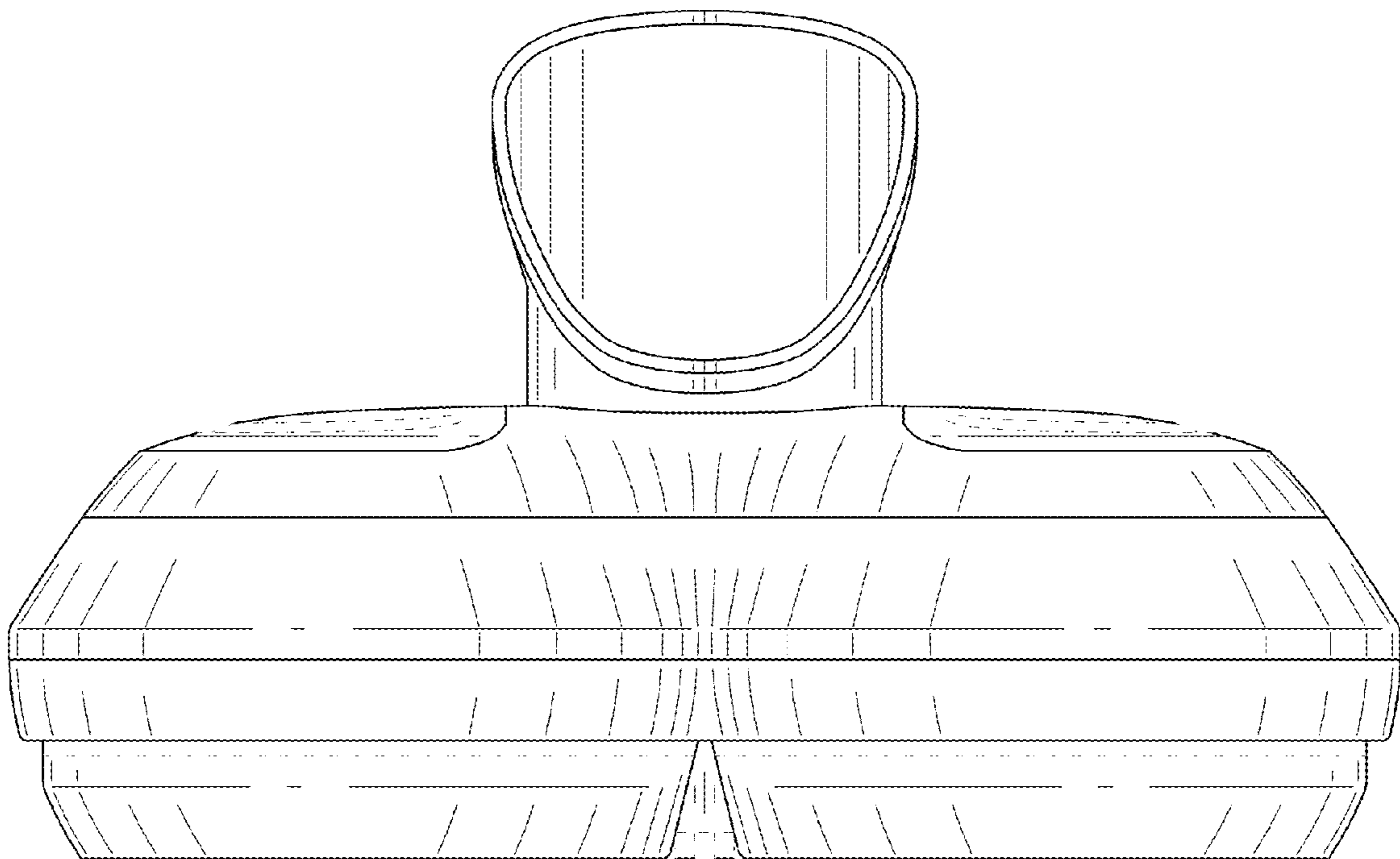


FIG. 4

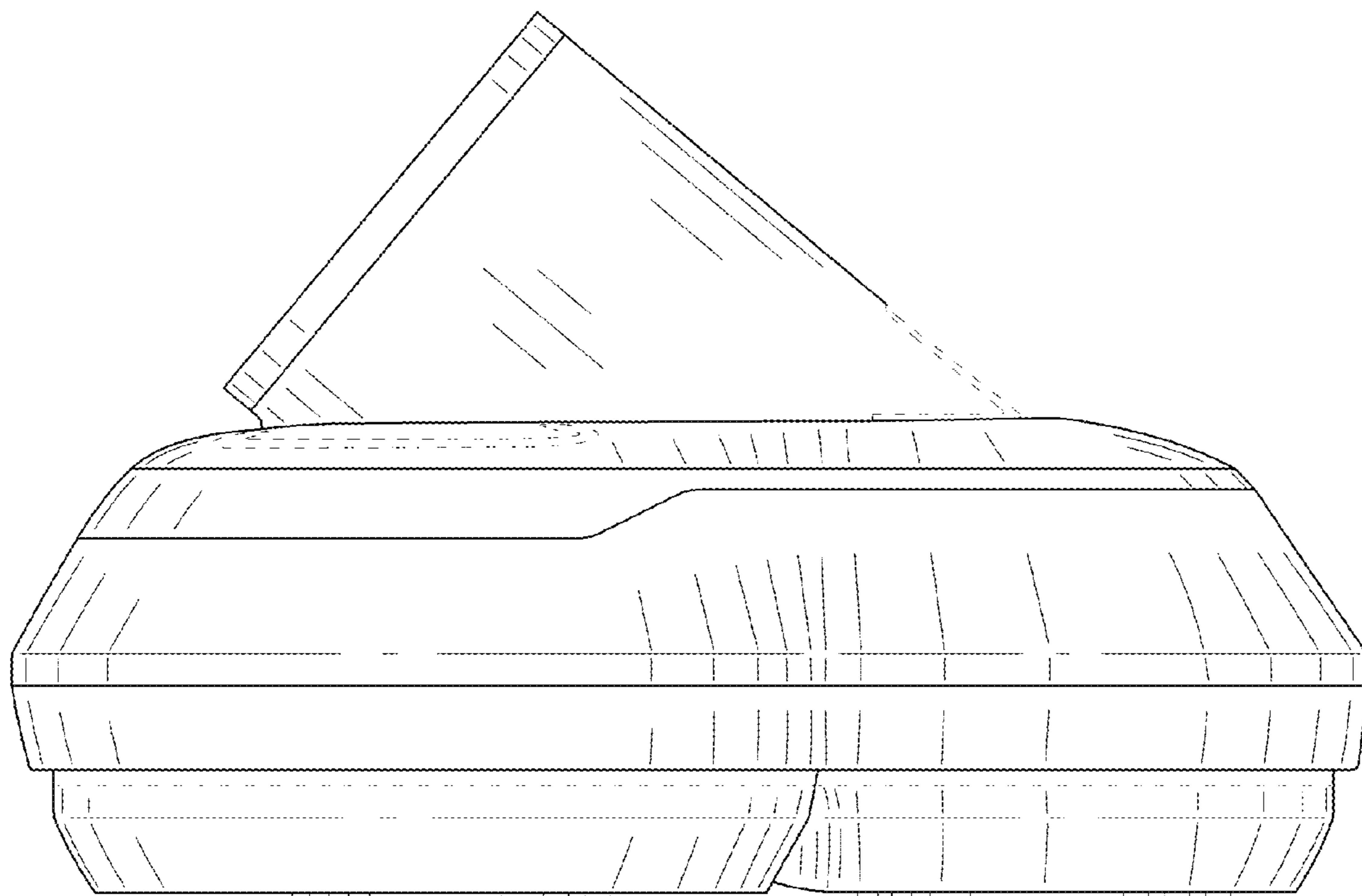


FIG. 5

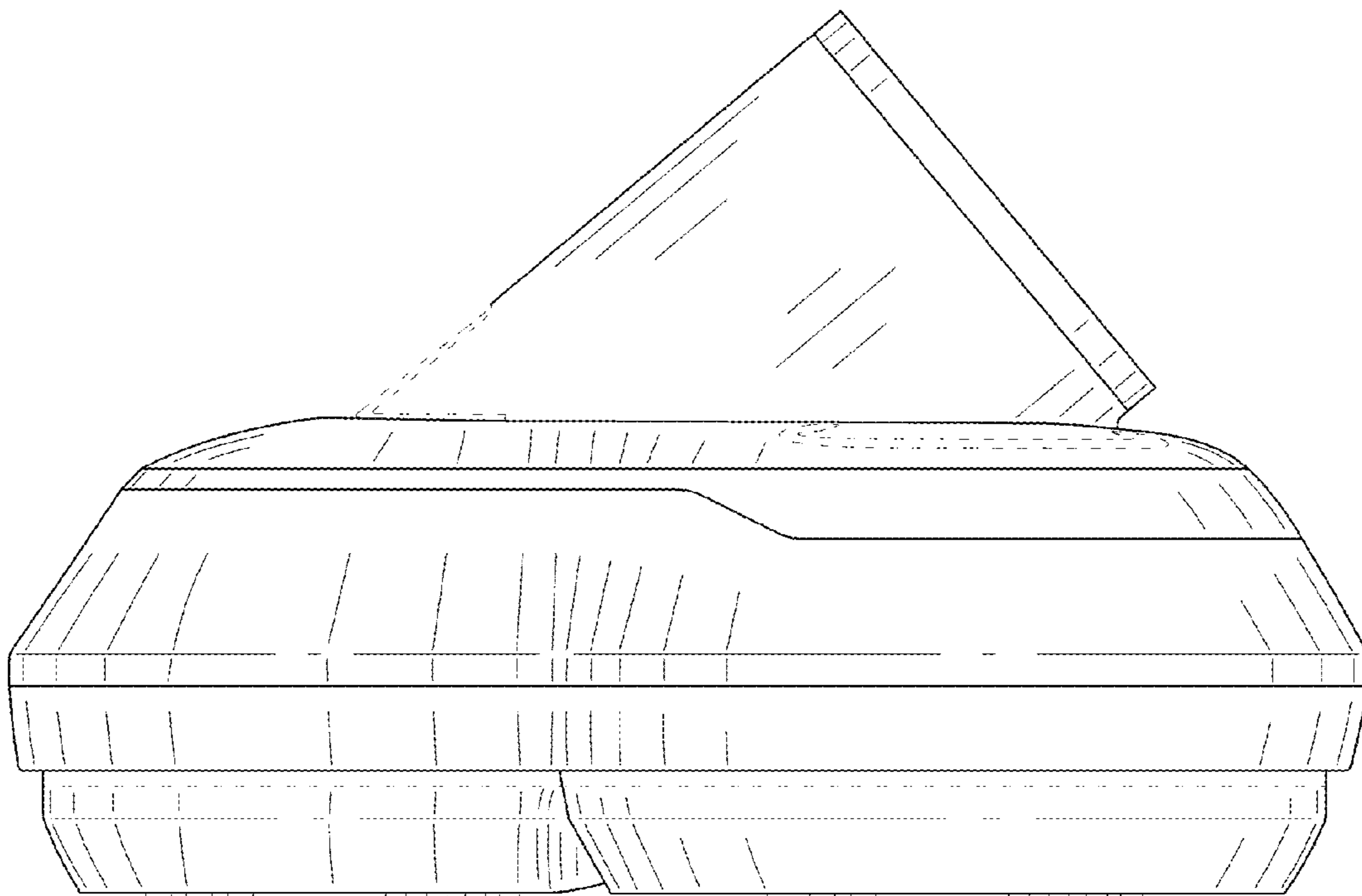


FIG. 6

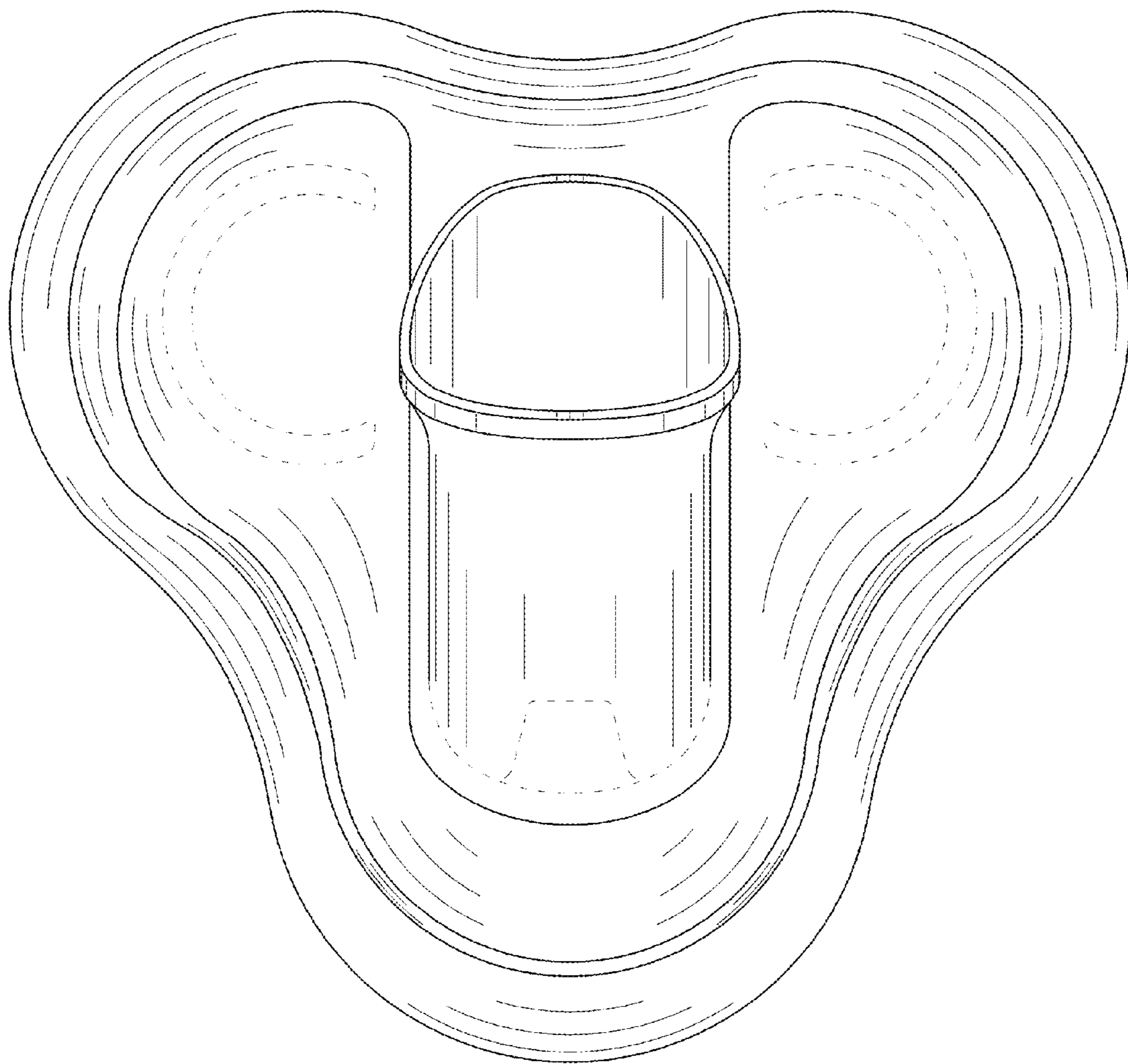


FIG. 7

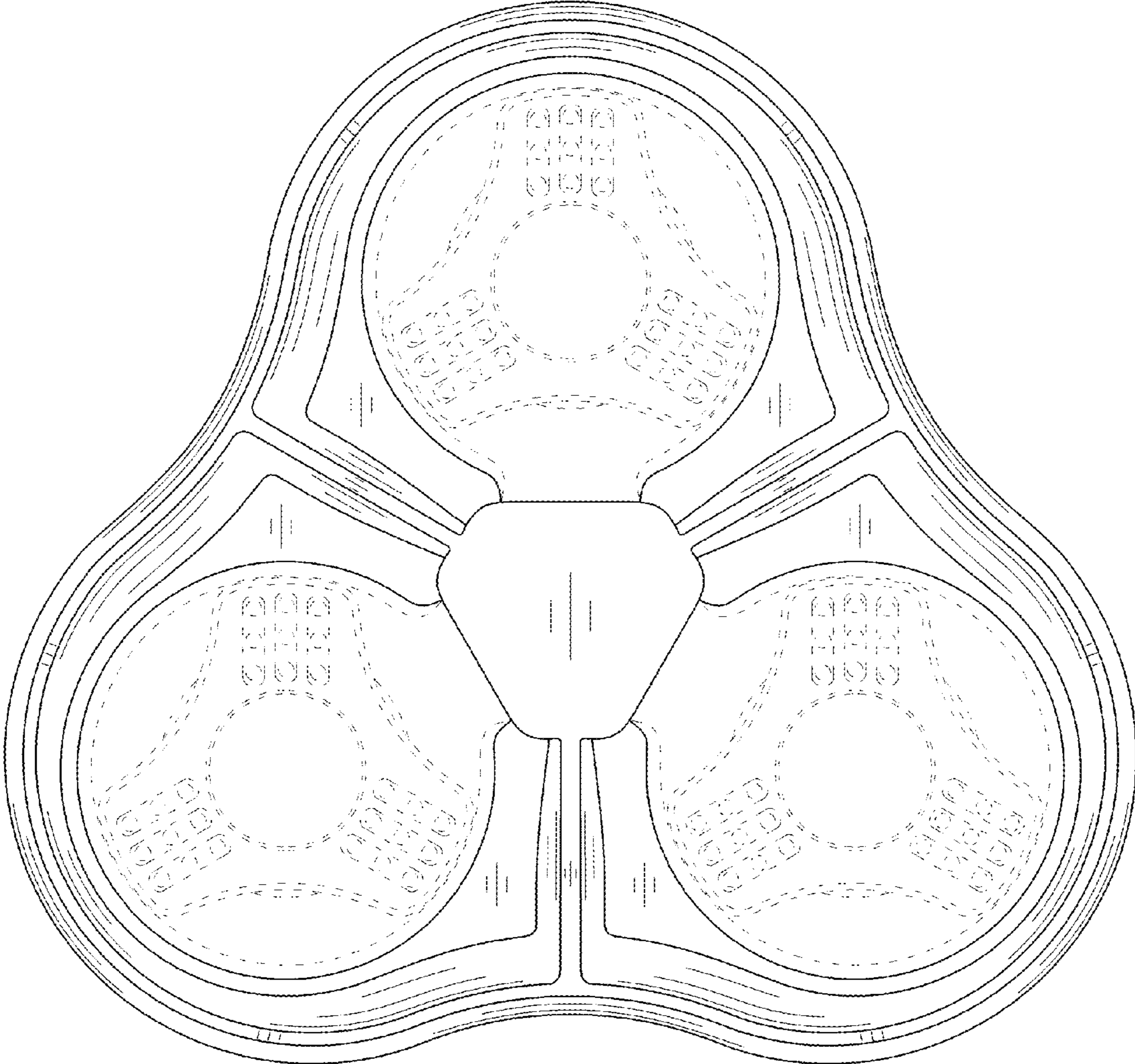


FIG. 8

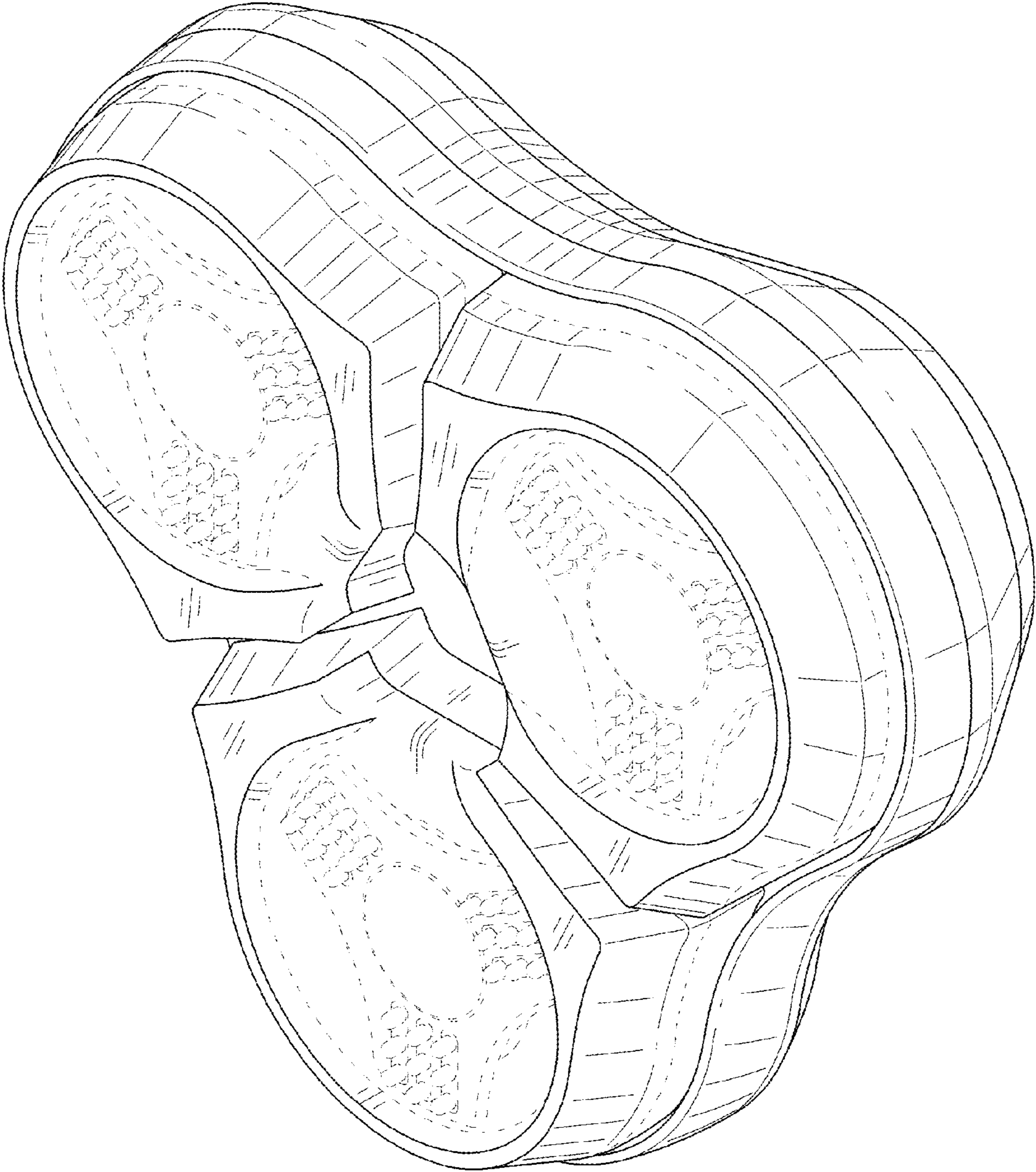


FIG. 9

