

US00D772509S

(12) **United States Design Patent** (10) **Patent No.:** **US D772,509 S**
Ha et al. (45) **Date of Patent:** **** Nov. 22, 2016**

(54) **WASHING MACHINE**
(71) Applicant: **LG ELECTRONICS INC.**, Seoul (KR)
(72) Inventors: **Youngsoo Ha**, Seoul (KR); **Taewoo Yoo**, Seoul (KR); **Jonghee Han**, Seoul (KR); **Eunyoung Chee**, Seoul (KR); **Seungho Oh**, Seoul (KR); **Jeaseok Seong**, Seoul (KR)
(73) Assignee: **LG ELECTRONICS INC.**, Seoul (KR)

(**) Term: **15 Years**

(21) Appl. No.: **29/537,954**

(22) Filed: **Aug. 31, 2015**

(30) **Foreign Application Priority Data**

Mar. 4, 2015 (KR) 30-2015-0011085

(51) **LOC (10) Cl.** **15-05**

(52) **U.S. Cl.**
USPC **D32/29.1**

(58) **Field of Classification Search**
USPC D32/1, 5, 6, 8, 10, 25, 28, 29.1
CPC D06F 39/022; D06F 39/028; D06F 39/14;
D06F 37/28; D06F 33/02; D06F 58/00;
D06F 58/02
See application file for complete search history.

(56) **References Cited**

U.S. PATENT DOCUMENTS

- D484,651 S * 12/2003 Linahon D32/25
- D485,400 S * 1/2004 Kiefer D32/25
- D519,692 S * 4/2006 Jun D32/6
- 7,313,933 B2 * 1/2008 Carey D06F 39/12
312/228
- D571,964 S * 6/2008 Kim D32/6
- D575,012 S * 8/2008 Rossetto D32/6
- D629,168 S * 12/2010 Park D32/25
- D648,084 S * 11/2011 Browne D32/28

- D658,343 S * 4/2012 Jeon D32/29.1
- D663,497 S * 7/2012 Ha D32/29.1
- 8,348,361 B2 * 1/2013 Joerger D06F 39/02
312/228
- D683,505 S * 5/2013 Chung D32/29.1
- D697,681 S * 1/2014 Chung D32/29.1
- D703,891 S * 4/2014 Chung D32/25
- D705,508 S * 5/2014 Calmeise D32/28
- D755,458 S * 5/2016 Jeon D32/25
- D767,221 S * 9/2016 Ha D32/25
- D767,836 * 9/2016 Ha D32/25
- 2006/0162392 A1 * 7/2006 Kwon D06F 39/02
68/17 R
- 2007/0151301 A1 * 7/2007 Kendall A47B 46/00
68/3 R
- 2009/0145176 A1 * 6/2009 Kim D06F 39/125
68/27
- 2009/0211463 A1 * 8/2009 Marrone A47J 47/12
99/646 C

* cited by examiner

Primary Examiner — Michael A. Pratt

Assistant Examiner — Michelle E Wilson

(74) *Attorney, Agent, or Firm* — KED & Associates, LLP

(57) **CLAIM**

We claim the ornamental design for a washing machine, as shown and described.

DESCRIPTION

FIG. 1 is a perspective view of a washing machine showing our new design with its detergent dispenser fully pulled out; FIG. 2 is a front elevation view thereof; FIG. 3 is a rear elevation view thereof; FIG. 4 is a leftside elevation view thereof; FIG. 5 is a right-side elevation view thereof; FIG. 6 is a top plan view thereof; FIG. 7 is a bottom plan view thereof; FIG. 8 is a perspective view thereof with its detergent dispenser closed fully pushed in; FIG. 9 is a front elevation view thereof; FIG. 10 is a left-side elevation view thereof; and, FIG. 11 is a top plan view thereof.
The broken lines in the drawing figures are included for the purpose of illustrating environment and form no part of the claimed design.

1 Claim, 8 Drawing Sheets

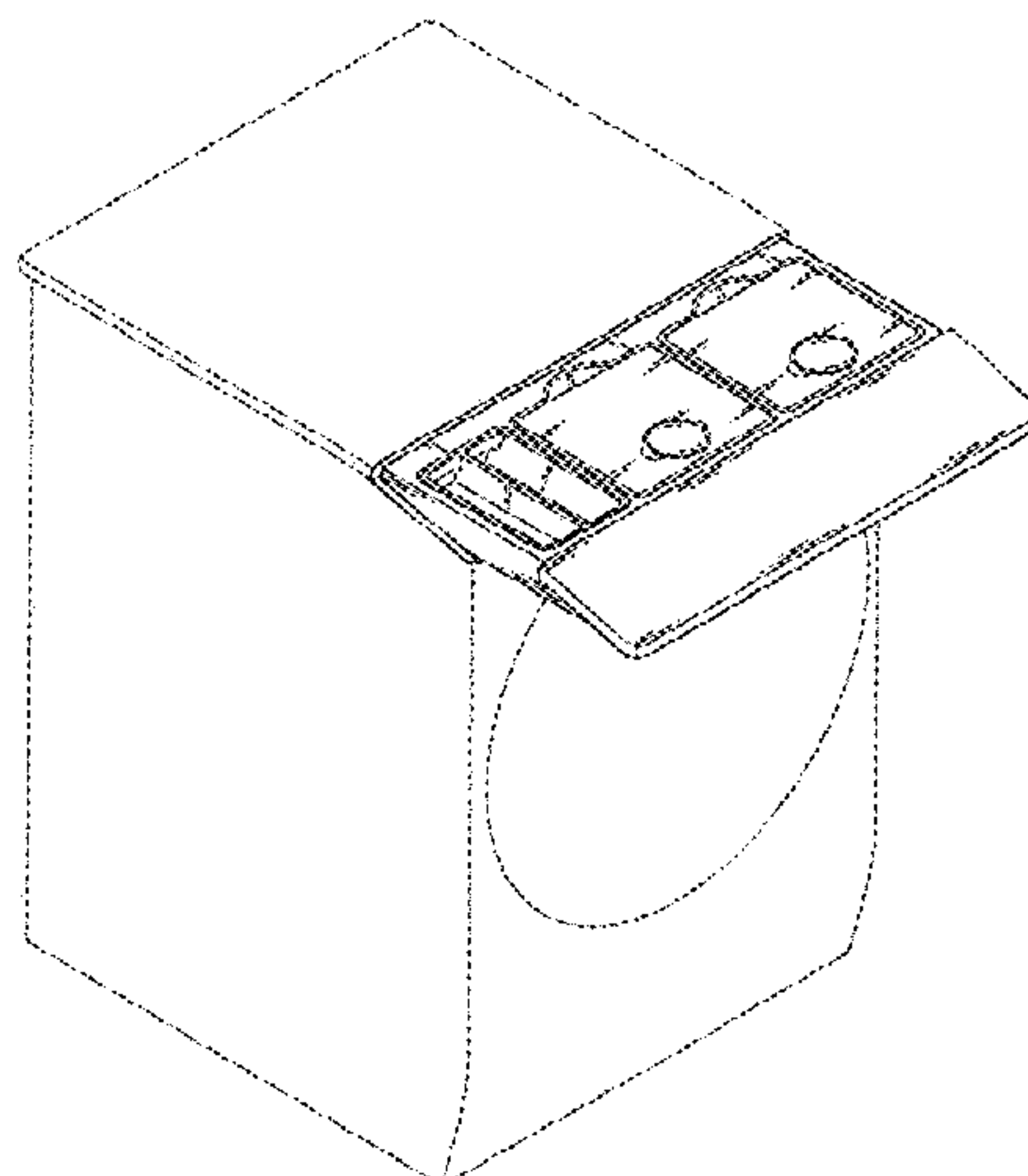


FIG. 1

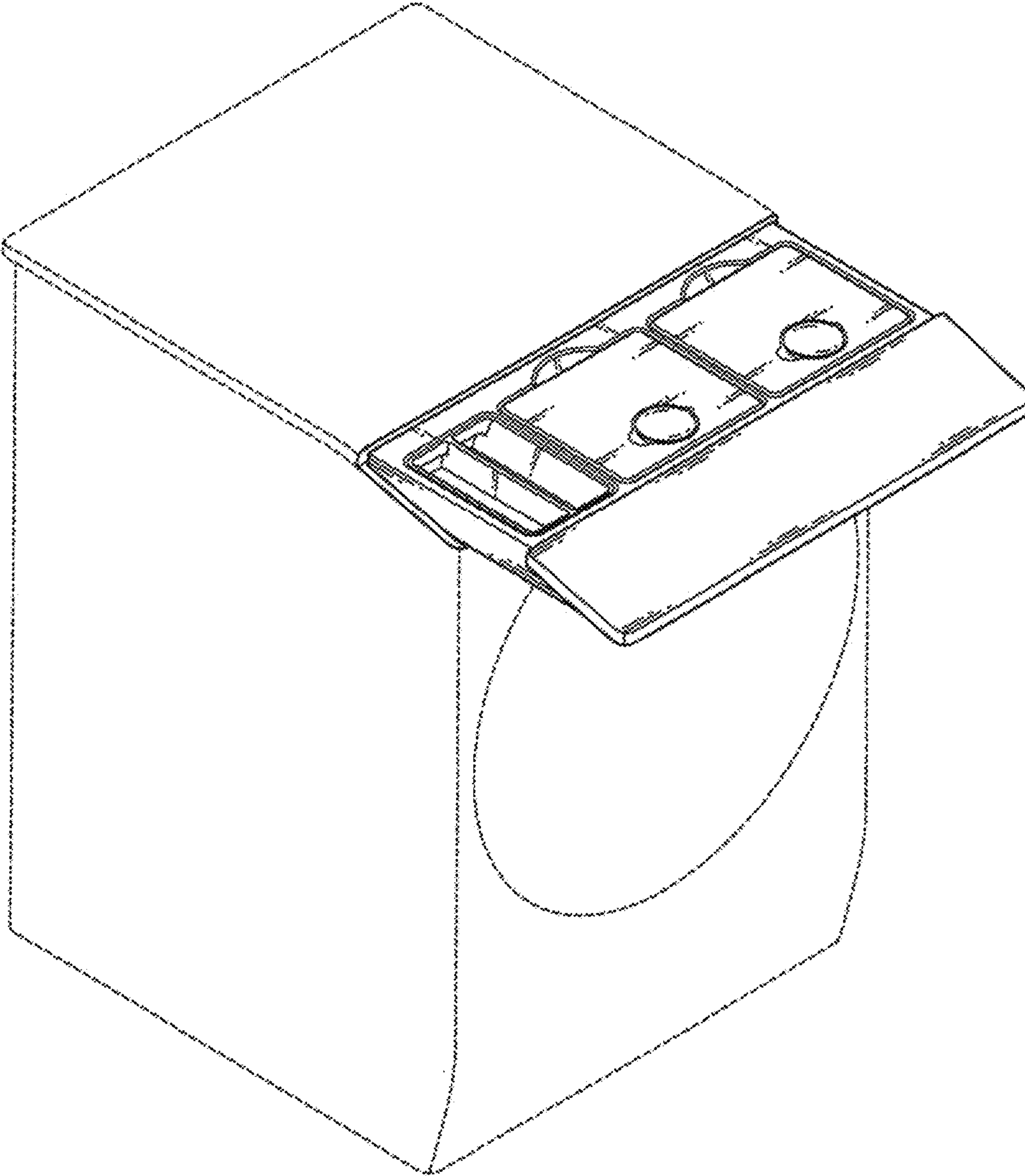


FIG. 2

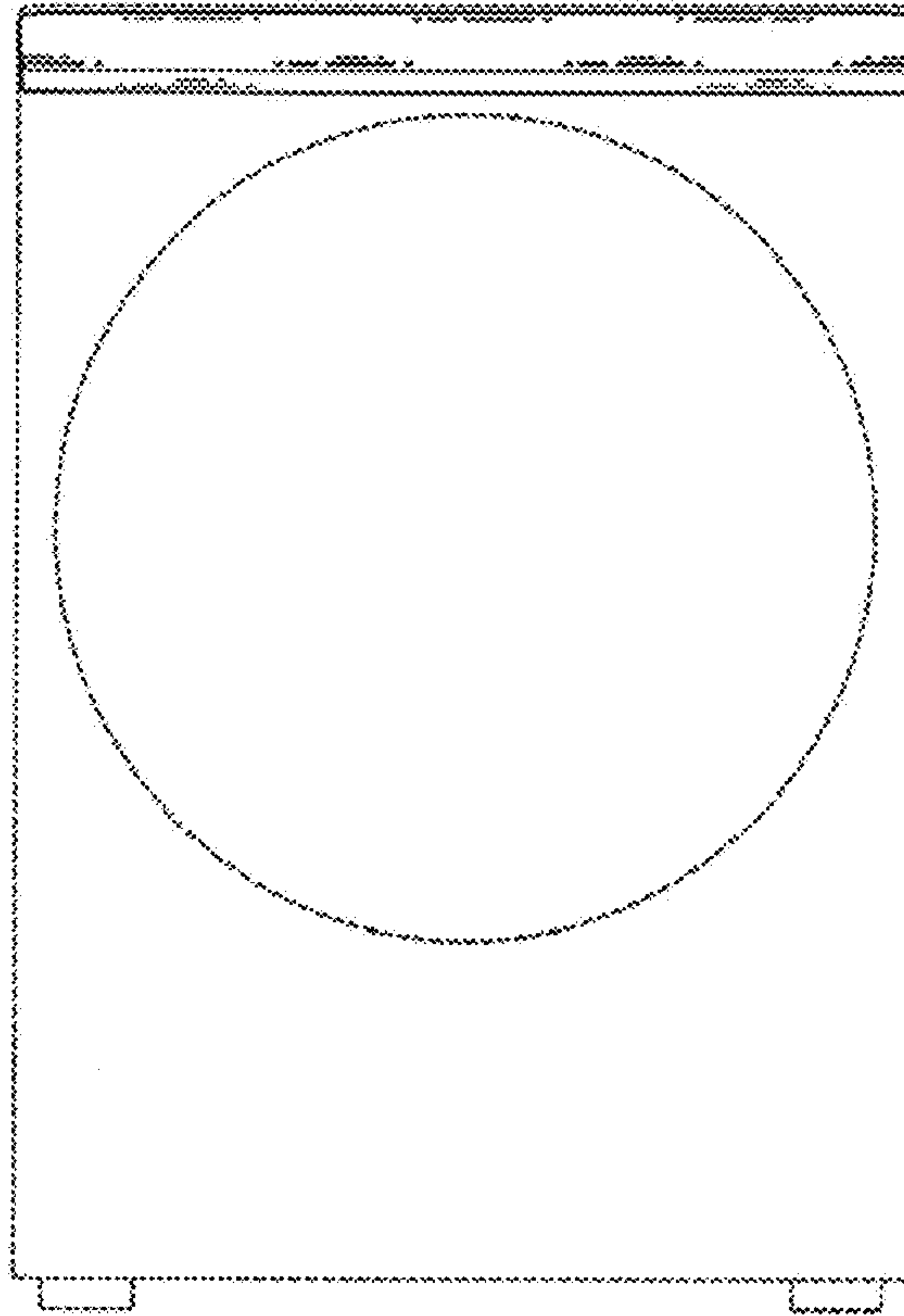


FIG. 3

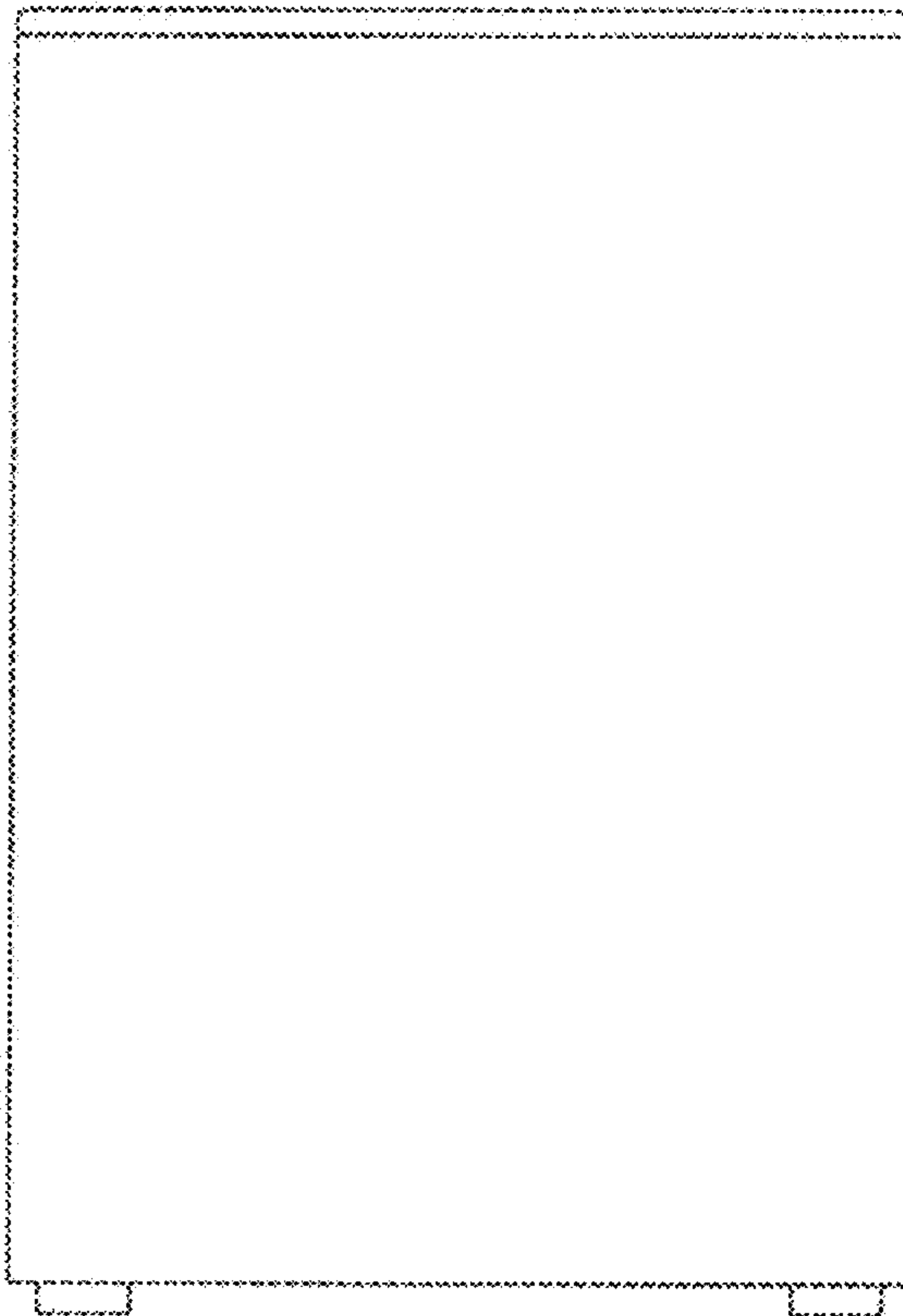


FIG. 4

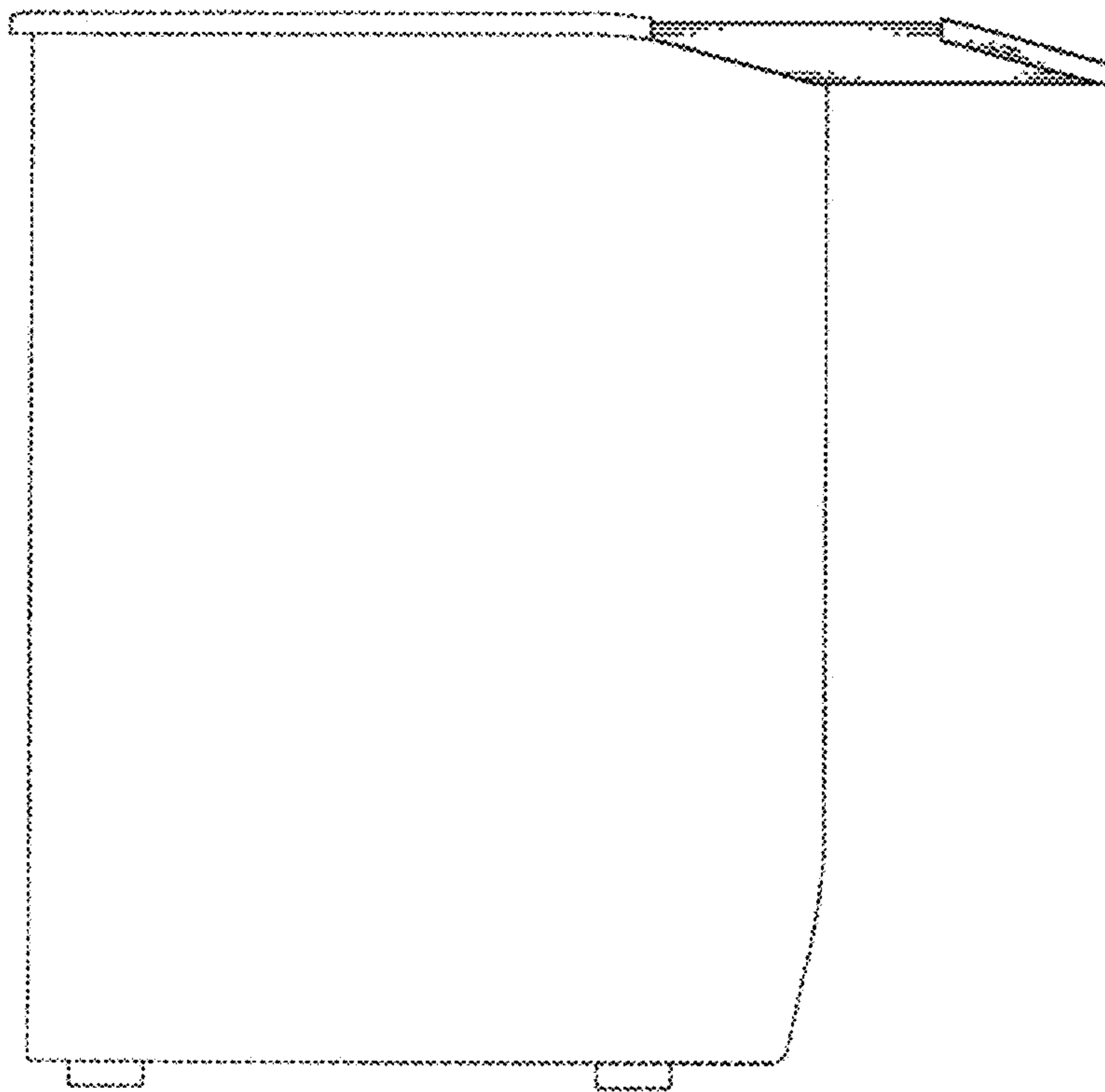


FIG. 5

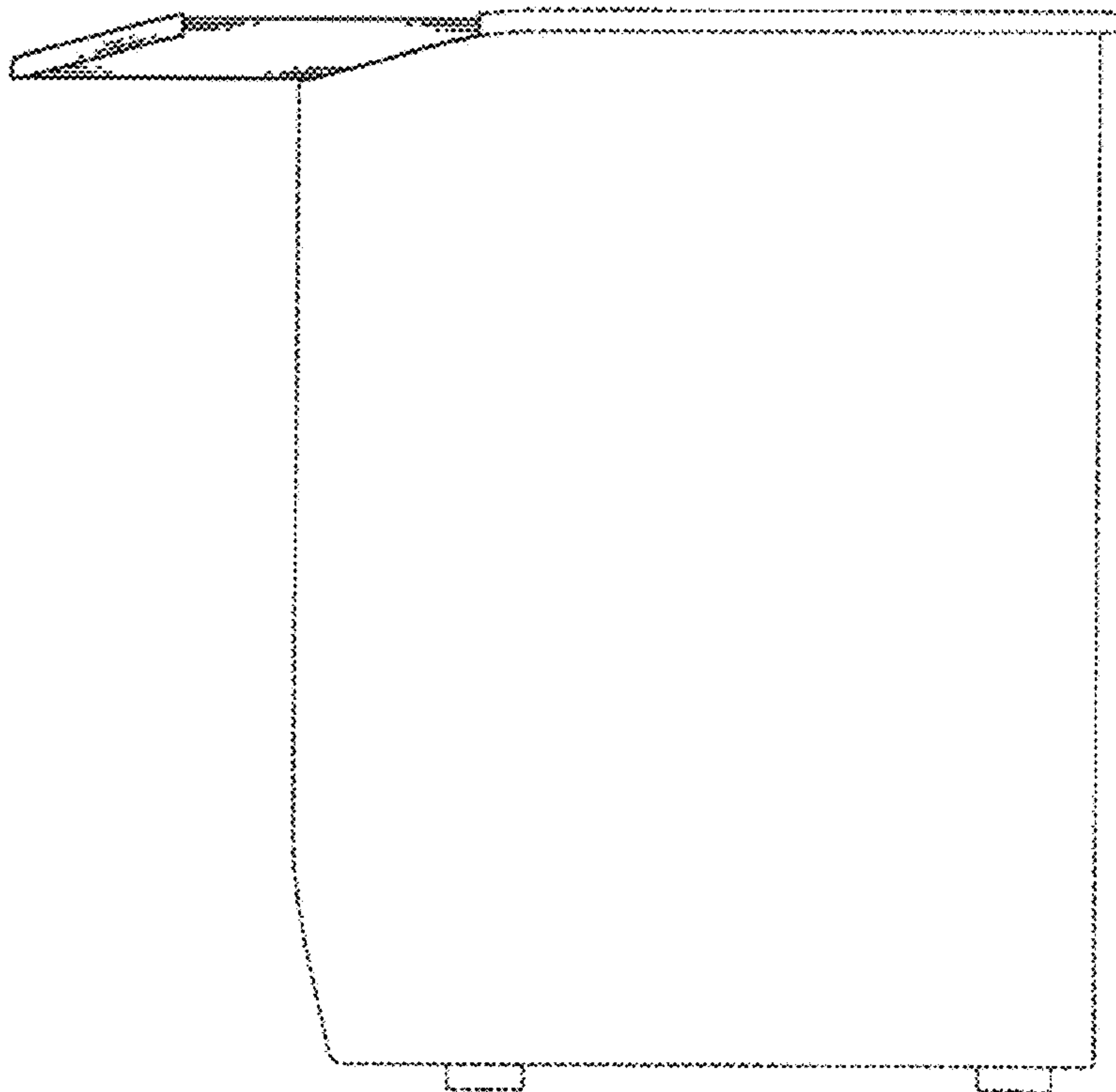


FIG. 6

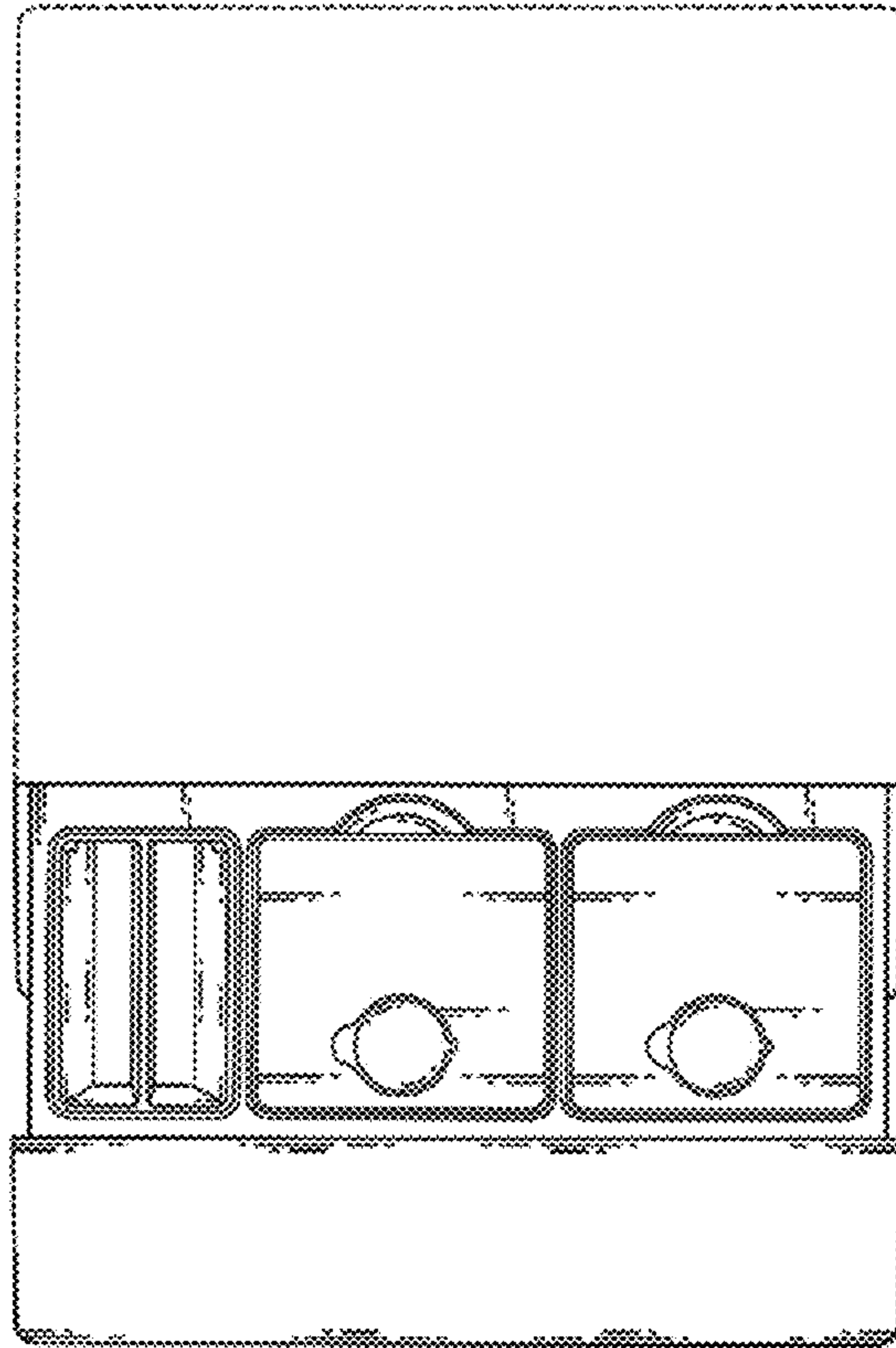


FIG. 7

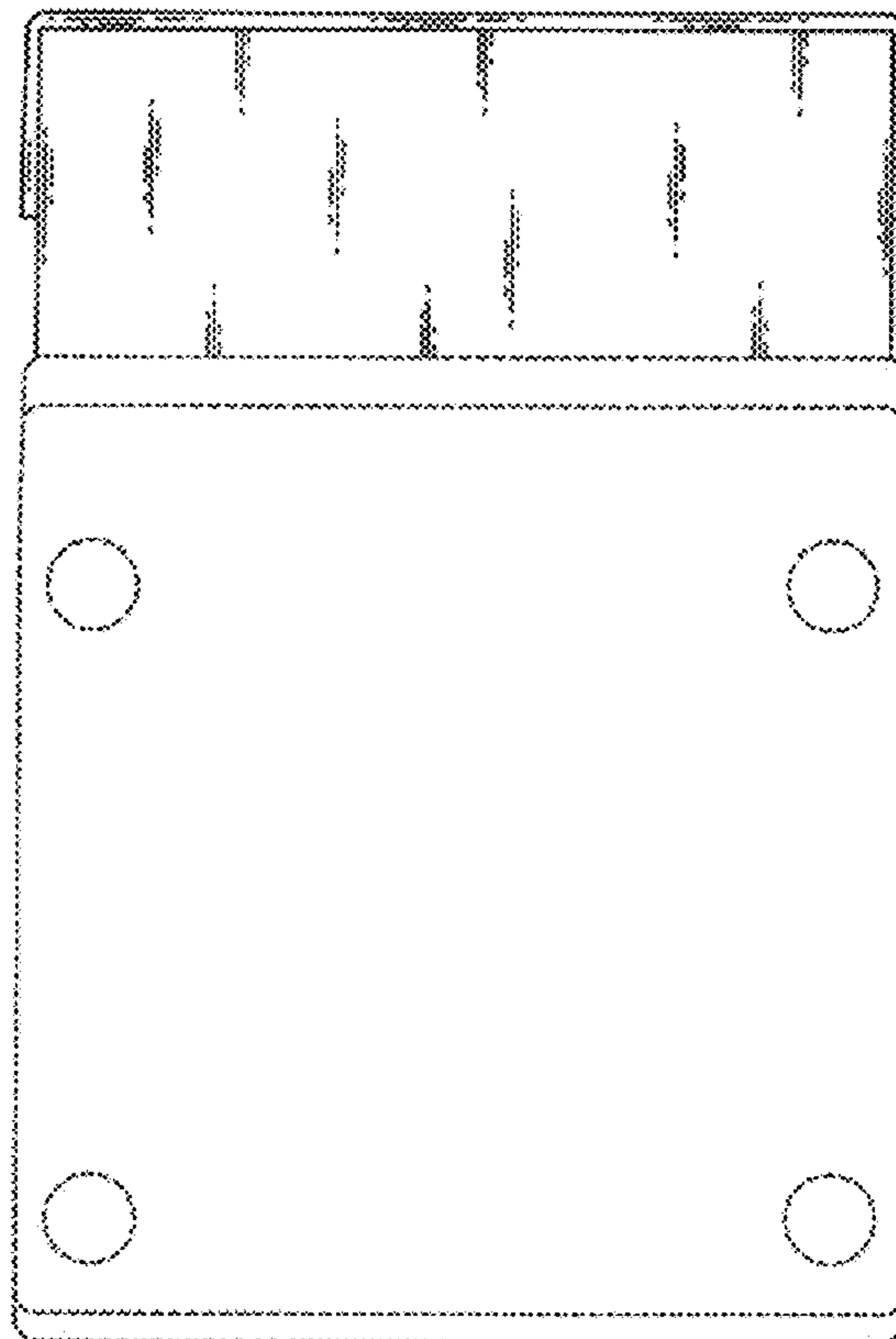


FIG. 8

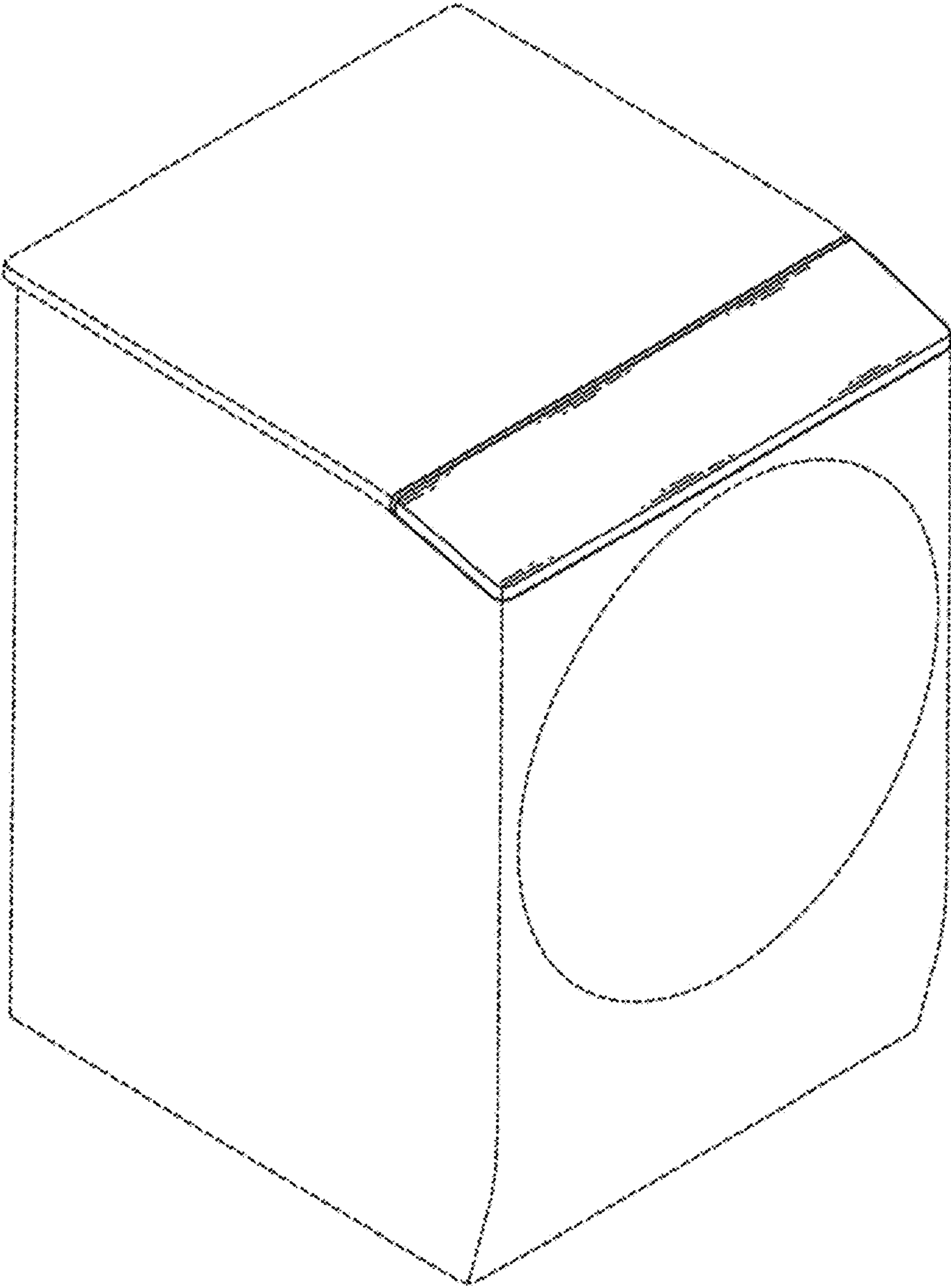


FIG. 9

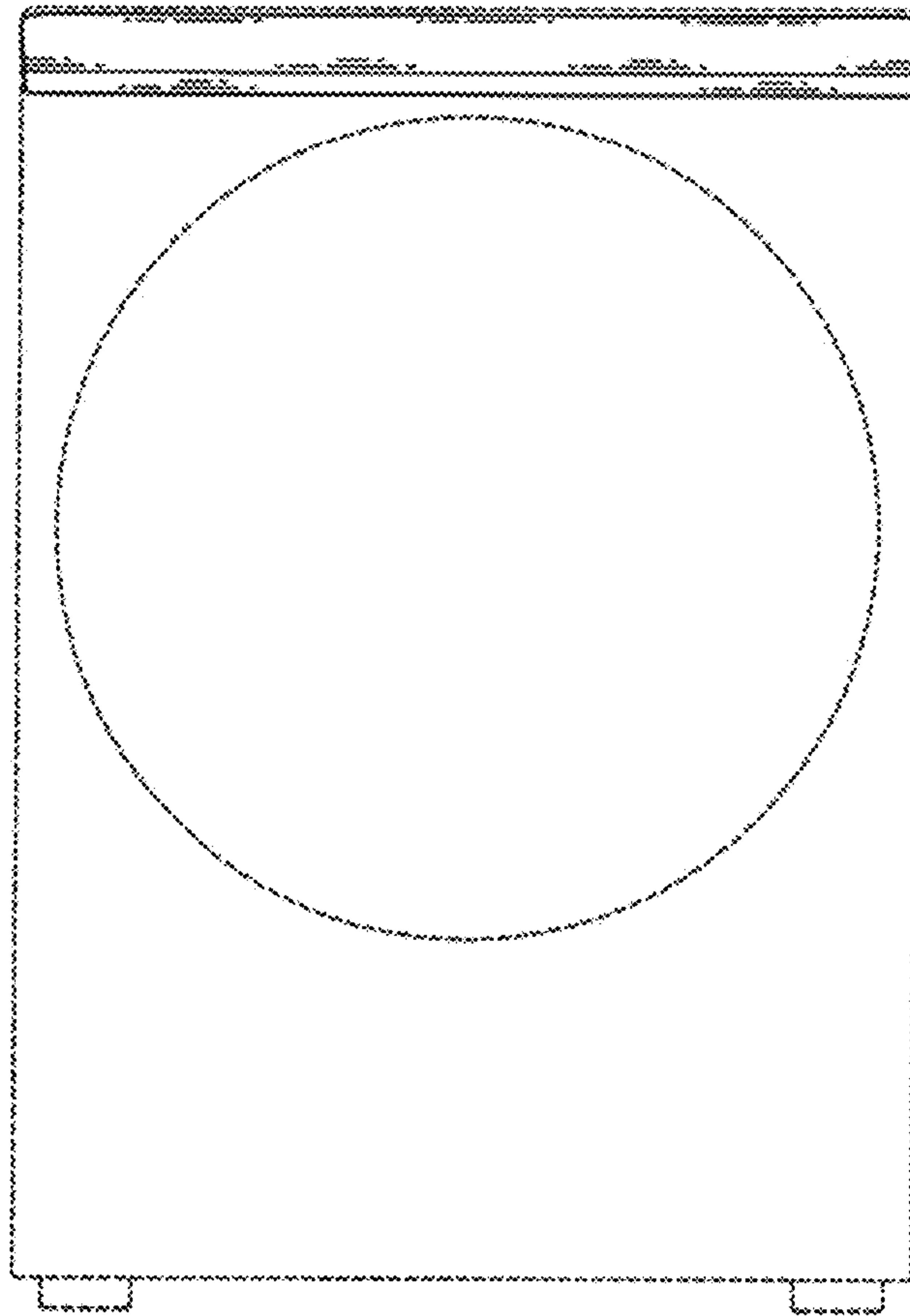


FIG. 10

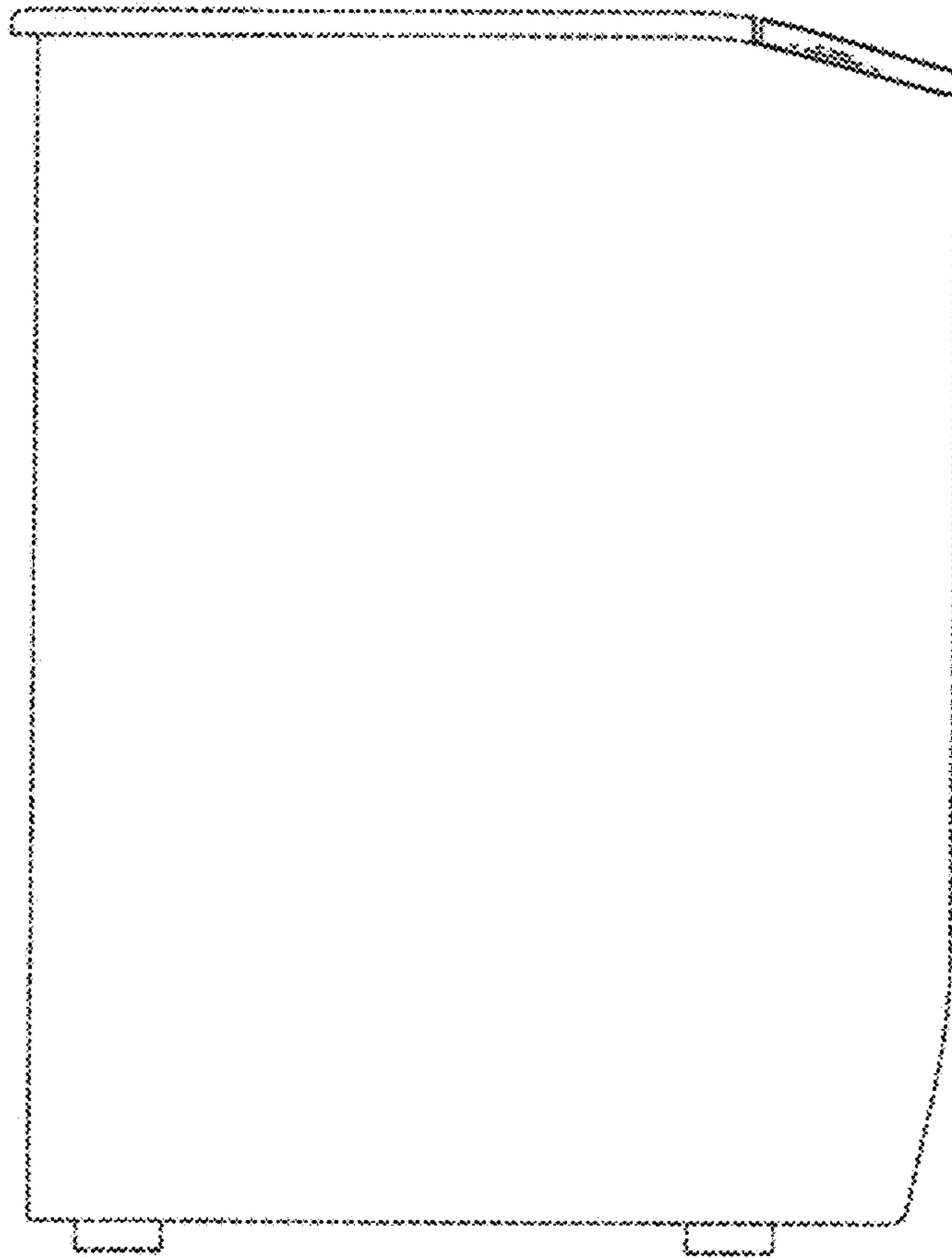


FIG. 11

