



US00D772508S

(12) **United States Design Patent** (10) **Patent No.:** **US D772,508 S**
Burrell et al. (45) **Date of Patent:** **** Nov. 22, 2016**

(54) **LAUNDRY DETERGENT HOLDER**
(71) Applicants: **William Burrell**, Taylorsville, UT (US);
Ronda Burrell, Taylorsville, UT (US)
(72) Inventors: **William Burrell**, Taylorsville, UT (US);
Ronda Burrell, Taylorsville, UT (US)
(**) Term: **15 Years**
(21) Appl. No.: **29/535,162**
(22) Filed: **Aug. 4, 2015**
(51) **LOC (10) Cl.** **15-05**
(52) **U.S. Cl.**
USPC **D32/29.1**
(58) **Field of Classification Search**
USPC D32/1-6, 8, 10, 25, 28, 29.1; 68/3 R,
68/5 R, 17 R; 34/108, 130-132, 595-597;
211/174; D7/619, 620; 248/105,
248/146-148
CPC D06F 39/00; D06F 39/12; D06F 39/022;
D06F 39/02; D06F 25/00; D06F 39/005;
B67D 3/043
See application file for complete search history.

D663,497 S * 7/2012 Ha D32/29.1
D695,472 S * 12/2013 Borjesson D32/6
D731,127 S * 6/2015 Ha D32/6
D731,128 S * 6/2015 Ha D32/6
D731,129 S * 6/2015 Ha D32/6
D732,250 S * 6/2015 Borjesson D32/6
D732,777 S * 6/2015 Ha D32/28
D735,425 S * 7/2015 Choi D32/6
D739,097 S * 9/2015 Qin D32/6
D753,888 S * 4/2016 Borjesson D32/6
2006/0101588 A1 * 5/2006 Park D06F 25/00
8/158
2007/0075093 A1 4/2007 Thomasmeyer
2012/0174632 A1 * 7/2012 Sung D06F 39/022
68/17 R
2014/0190220 A1 * 7/2014 Lee D06F 39/02
68/17 R
2015/0368847 A1 * 12/2015 Del Pos D06F 39/005
68/17 R

* cited by examiner

Primary Examiner — Rosemary K Tarcza
Assistant Examiner — Yolanda Robinson

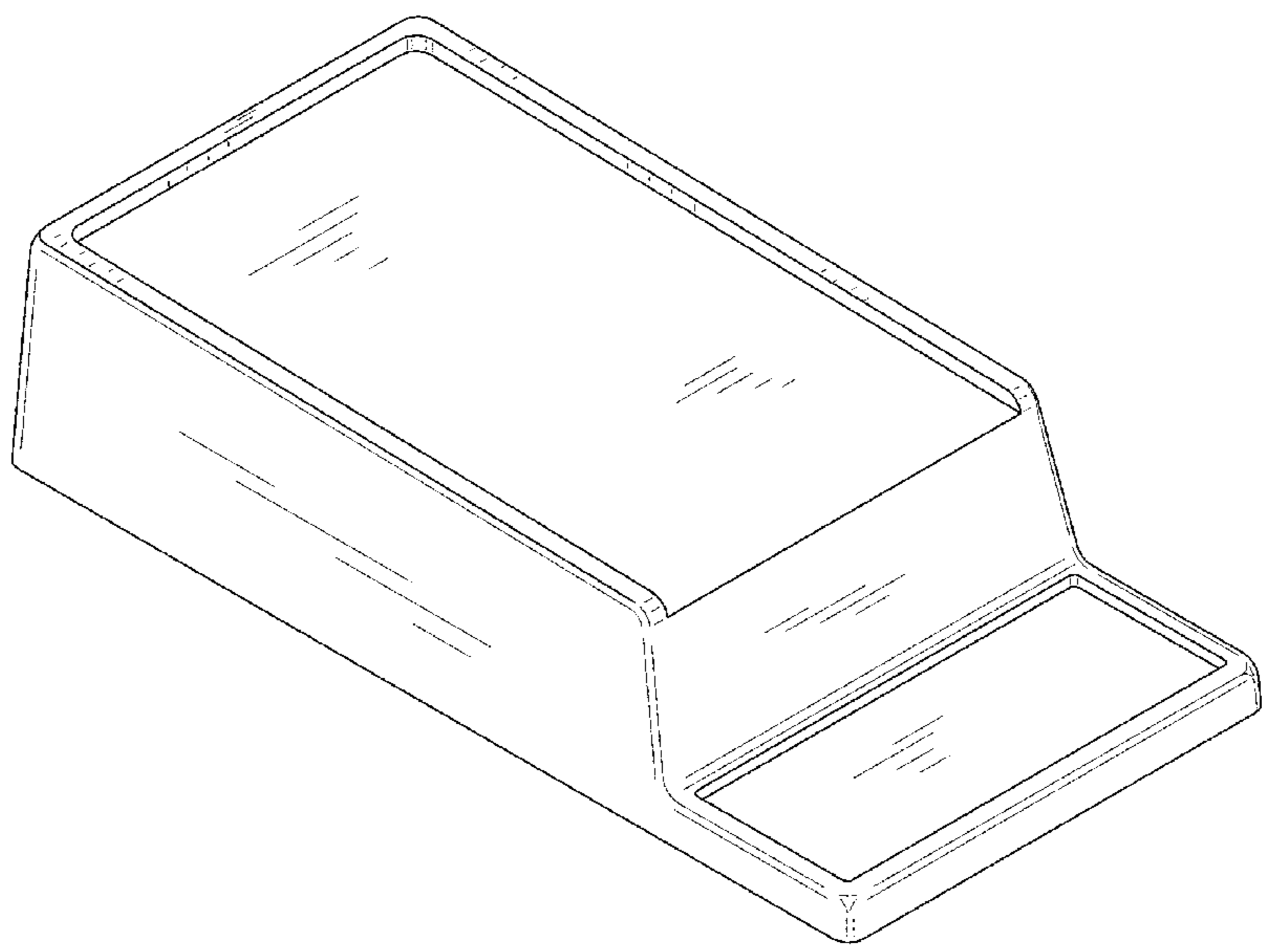
(57) **CLAIM**
We claim the ornamental design for a laundry detergent holder, as shown and described.

(56) **References Cited**
U.S. PATENT DOCUMENTS
3,814,293 A * 6/1974 Daves B67D 3/043
211/74
D336,005 S 6/1993 Keup
5,335,829 A 8/1994 Sovann
5,853,154 A 12/1998 Ashley
D425,375 S * 5/2000 Parham D7/619.1
6,386,393 B1 5/2002 Paulovich
6,435,382 B1 8/2002 Giblin
6,945,434 B1 9/2005 Dionne
7,275,662 B1 * 10/2007 Milcetic B67D 3/0083
211/74

DESCRIPTION

FIG. 1 is a side view of the laundry detergent holder.
FIG. 2 is a rear view of the claimed design.
FIG. 3 is a front view of the claimed design.
FIG. 4 is a top view of the claimed design.
FIG. 5 is a bottom view of the claimed design.
FIG. 6 is a perspective view of the claimed design; and,
FIG. 7 is a cross-sectional view of the claimed design along
line 7-7 in FIG. 4.

1 Claim, 6 Drawing Sheets



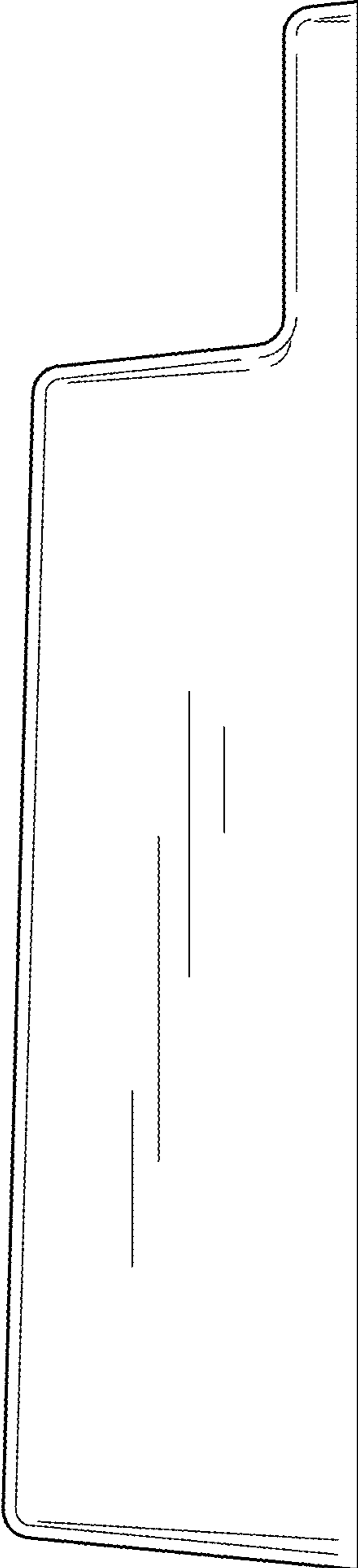


FIG. 1

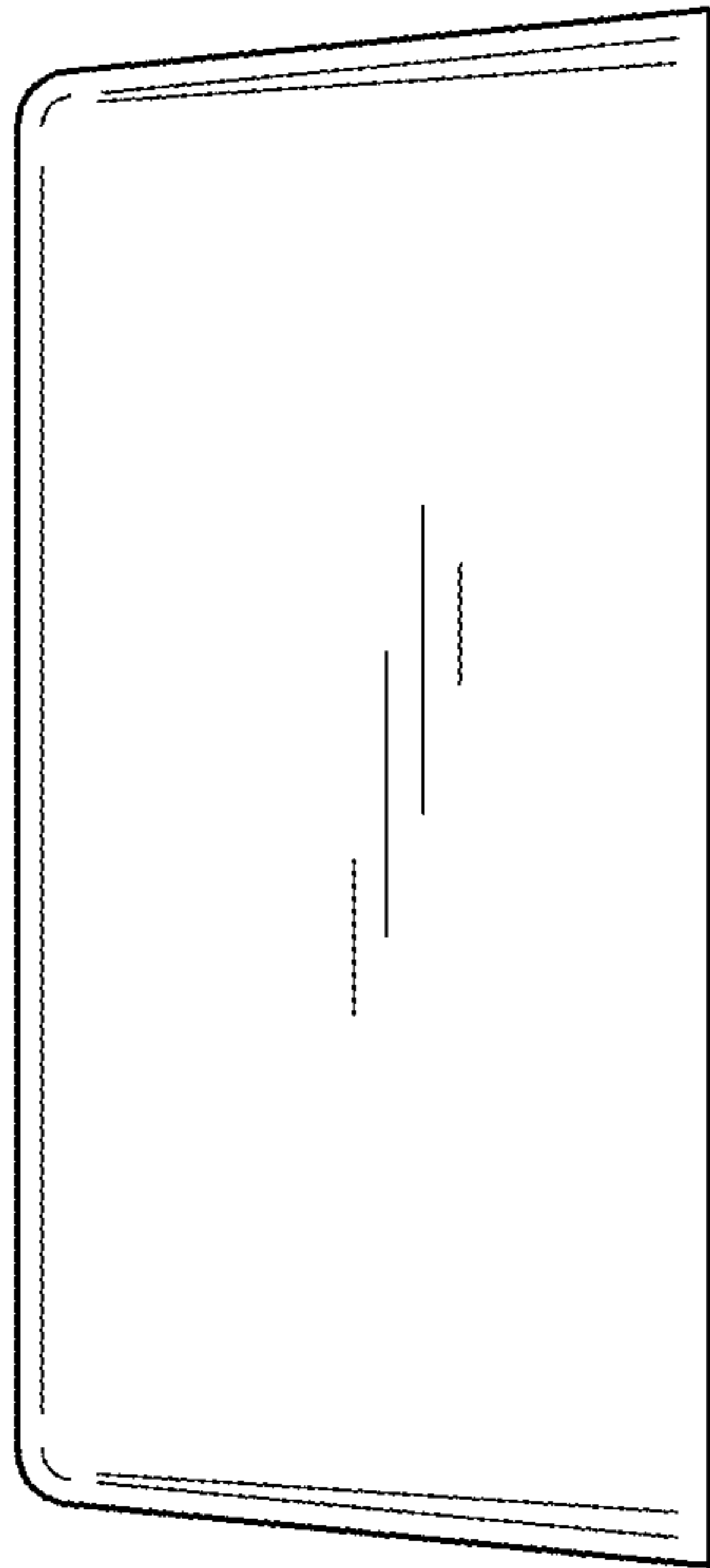


FIG. 2

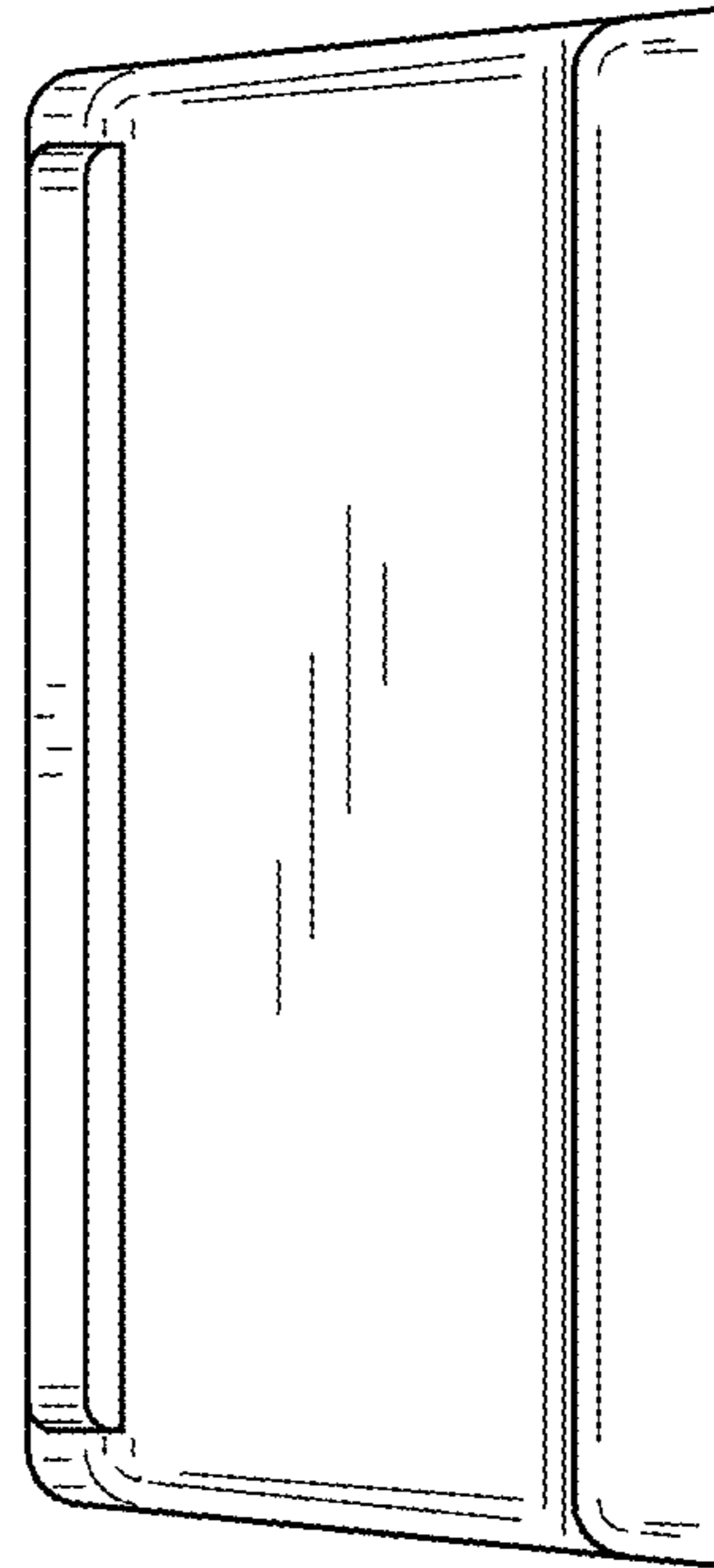


FIG. 3

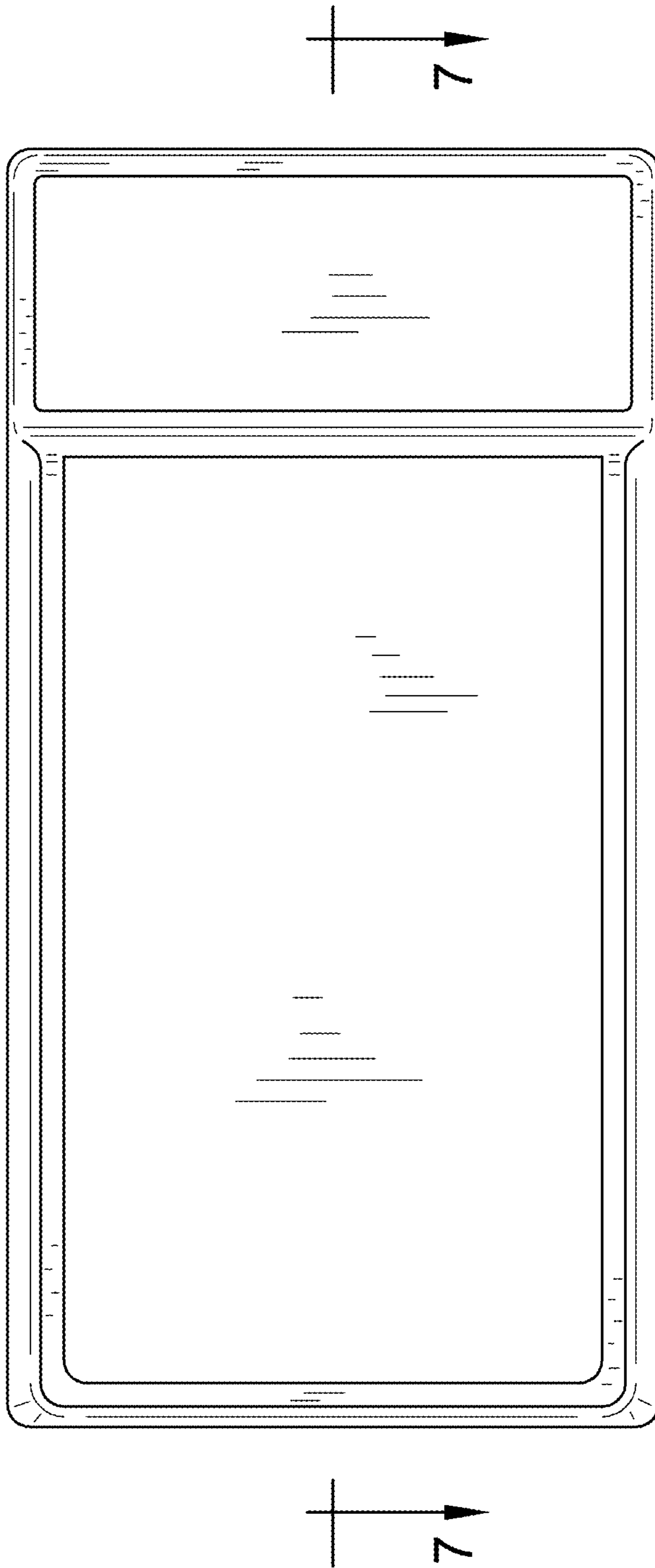


FIG. 4

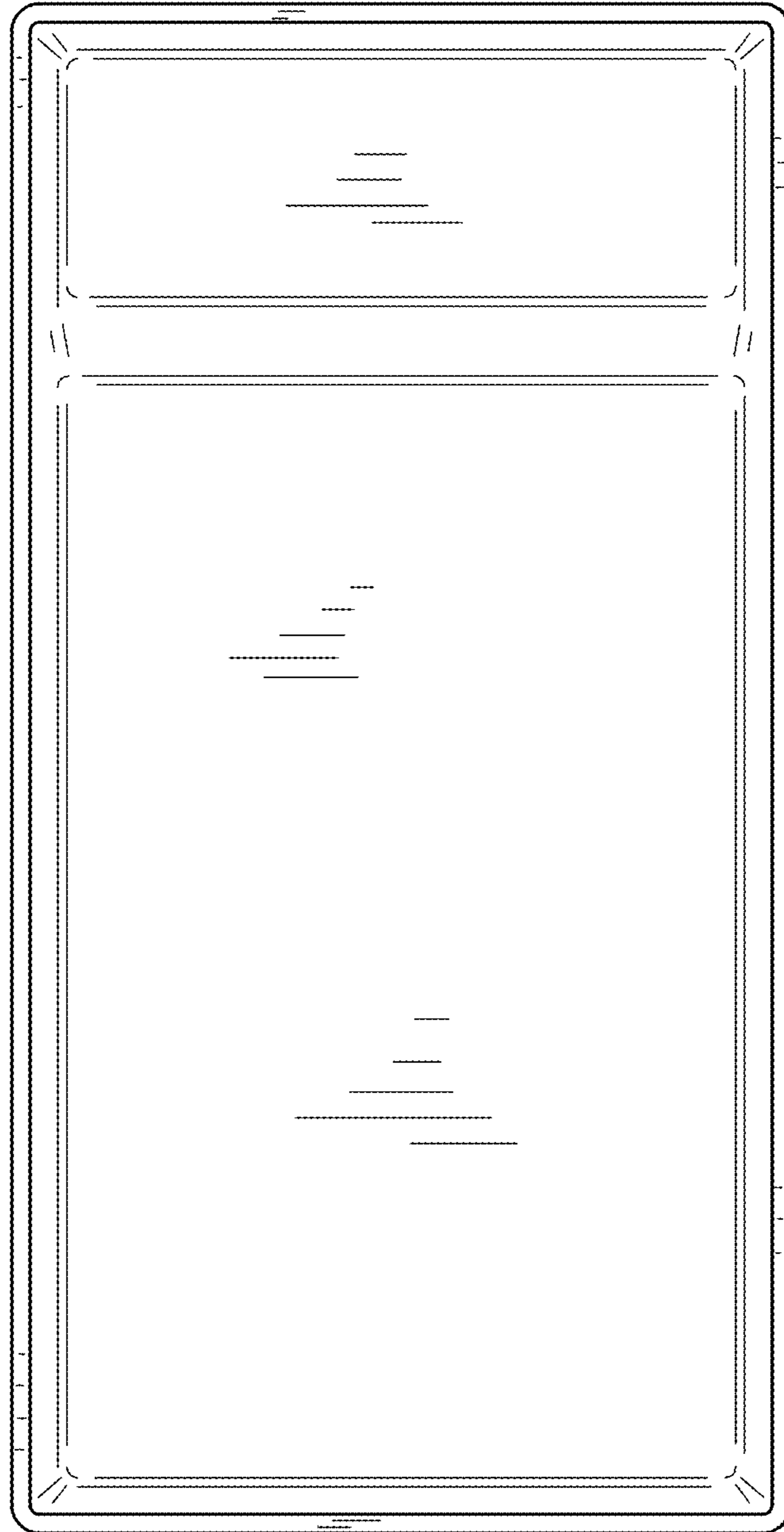


FIG. 5

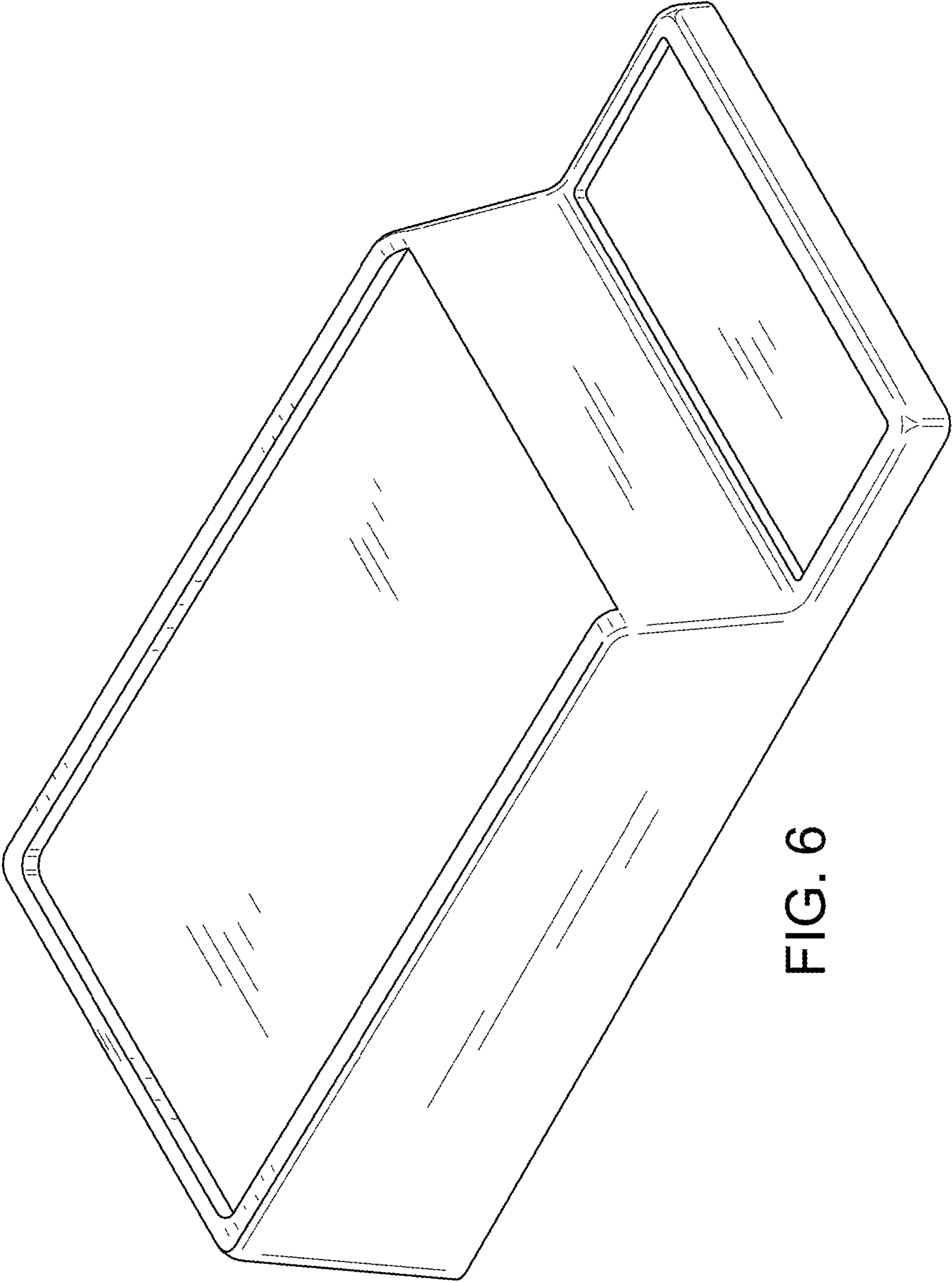


FIG. 6

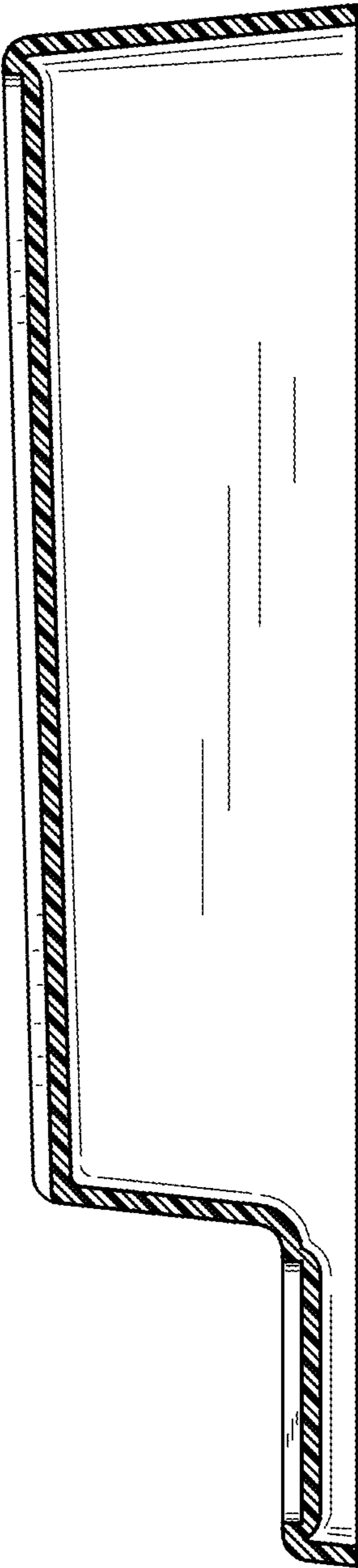


FIG. 7