



US00D772507S

(12) **United States Design Patent**
Bixby et al.

(10) **Patent No.:** **US D772,507 S**
(45) **Date of Patent:** **** Nov. 22, 2016**

(54) **FRONTLOAD DRYING APPLIANCE**

(71) Applicant: **WHIRLPOOL CORPORATION**,
Benton Harbor, MI (US)

(72) Inventors: **Seth E. Bixby**, Stevensville, MI (US);
Richard K. Gresens, Saint Joseph, MI
(US); **John W. McConnell**, Saint
Joseph, MI (US); **Patrick J. Schiavone**,
Benton Harbor, MI (US); **Samuel B.**
Breneman, Saint Joseph, MI (US)

(73) Assignee: **Whirlpool Corporation**, Benton
Harbor, MI (US)

(**) Term: **15 Years**

(21) Appl. No.: **29/561,335**

(22) Filed: **Apr. 15, 2016**

Related U.S. Application Data

(62) Division of application No. 29/499,770, filed on Aug.
19, 2014, now Pat. No. Des. 758,032.

(51) **LOC (10) Cl.** **15-05**

(52) **U.S. Cl.**
USPC **D32/25**

(58) **Field of Classification Search**
USPC D32/1-6, 8, 10, 25, 28; 312/228, 228.1,
312/236, 294, 326; 220/810; 68/3 R, 5 R,
68/235 R, 196, 212; 34/108, 130, 131, 132,
34/595-597; 8/137
CPC A47B 96/00; D06F 39/022; D06F 39/14;
D06F 39/028; D06F 33/02; D06F 37/28;
D06F 58/00

See application file for complete search history.

(56) **References Cited**

U.S. PATENT DOCUMENTS

D575,464 S * 8/2008 Rossetto D32/8
D661,852 S * 6/2012 Song D32/8

D703,887 S * 4/2014 Lee D32/8
D718,505 S * 11/2014 Hyoungsub D32/28
D730,597 S * 5/2015 Jeon D32/8
D733,375 S * 6/2015 Uk D32/28
D749,807 S * 2/2016 Ha D32/28
D758,029 S * 5/2016 Bixby D32/25
D758,031 S * 5/2016 Bixby D32/25
D758,032 S * 5/2016 Bixby D32/25
D759,912 S * 6/2016 Bixby D32/25
D759,913 S * 6/2016 Jeon D32/25

(Continued)

Primary Examiner — Rosemary K Tarcza

Assistant Examiner — Yolanda Robinson

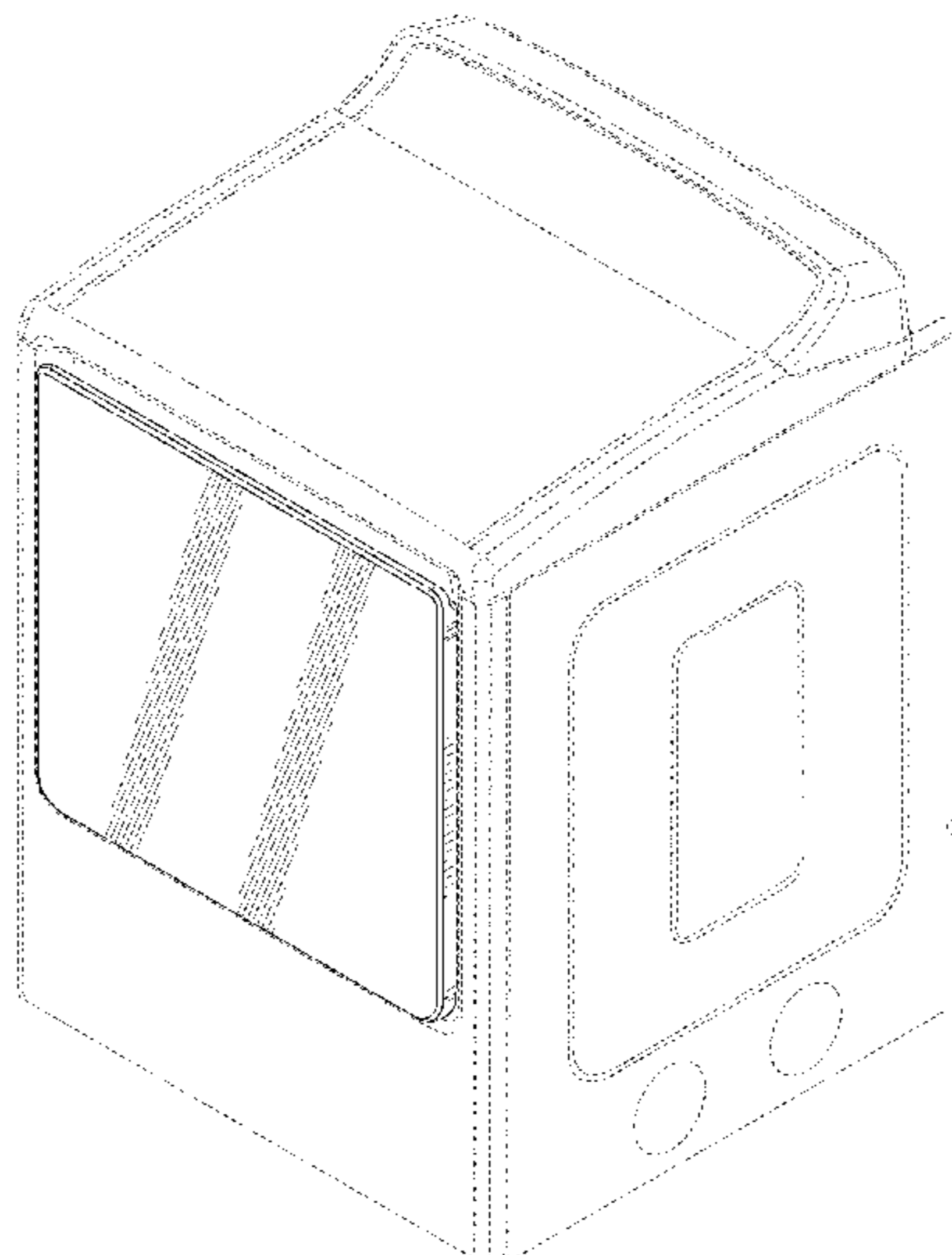
(57) **CLAIM**

We claim the ornamental design for a frontload drying
appliance, as shown and described.

DESCRIPTION

FIG. 1 is a top perspective view of the frontload drying
appliance of the present invention;
FIG. 2 is a second top perspective view of the frontload
drying appliance of the present invention;
FIG. 3 is a top plan view of the frontload drying appliance
of the present invention;
FIG. 4 is a bottom plan view of the frontload drying
appliance of the present invention;
FIG. 5 is a first side elevation view of the frontload drying
appliance of the present invention;
FIG. 6 is a second side elevation view of the frontload drying
appliance of the present invention;
FIG. 7 is a third side elevation view of the frontload drying
appliance of the present invention; and,
FIG. 8 is a fourth side elevation view of the frontload drying
appliance of the present invention.
The broken lines shown in the figures are for the purpose of
illustrating unclaimed portions of the frontload drying appli-
ance and form no part of the claimed design.

1 Claim, 8 Drawing Sheets



US D772,507 S

Page 2

(56)

References Cited

U.S. PATENT DOCUMENTS

D760,968 S *	7/2016	Choi	D32/8	2015/0233039 A1*	8/2015	Cho	D06F 37/225 312/228
2009/0193678 A1*	8/2009	Latack	D06F 58/04 34/139	2015/0233042 A1*	8/2015	Kang	D06F 39/12 312/228
					2016/0076187 A1*	3/2016	Lee	D06F 37/28 312/228

* cited by examiner

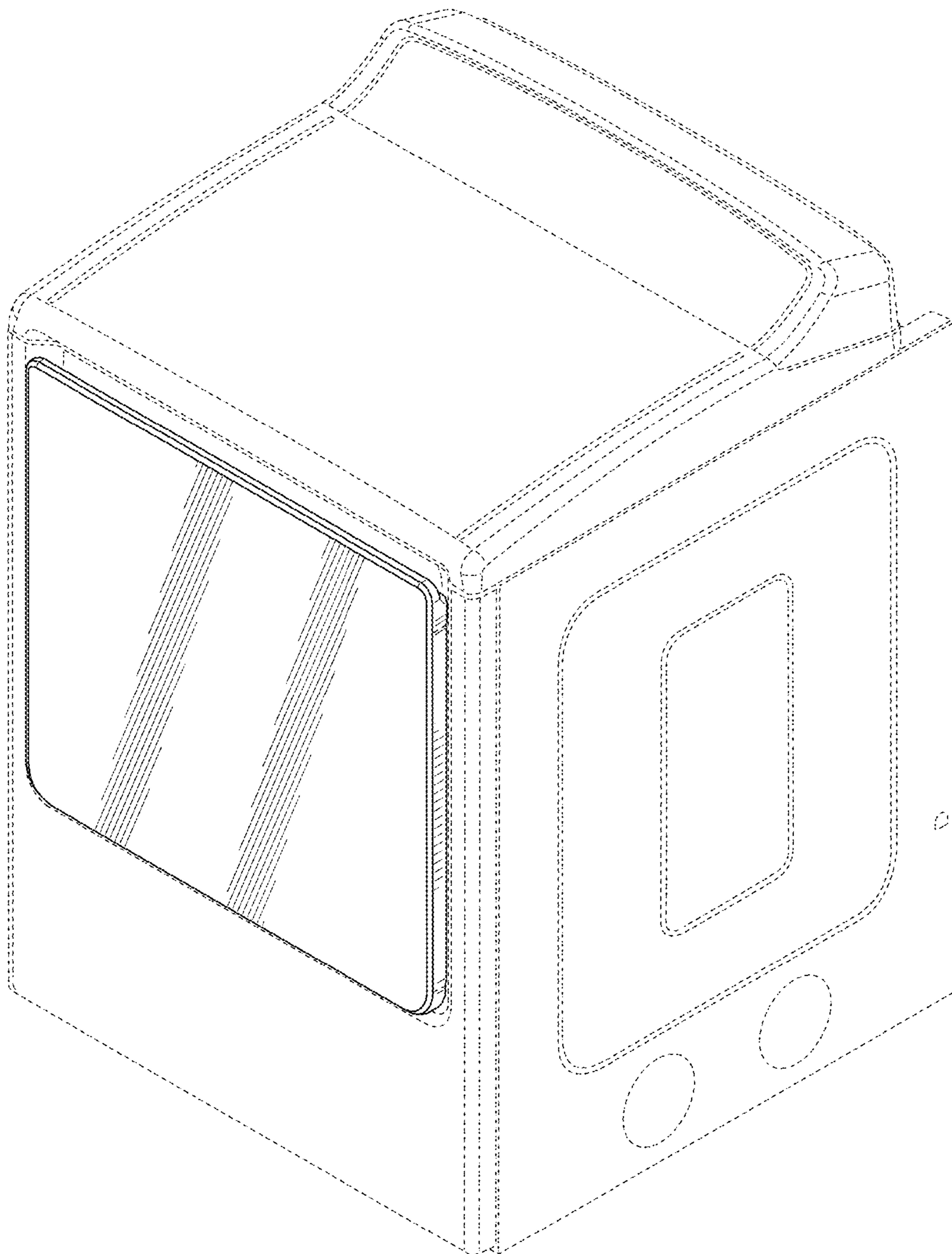


FIG. 1

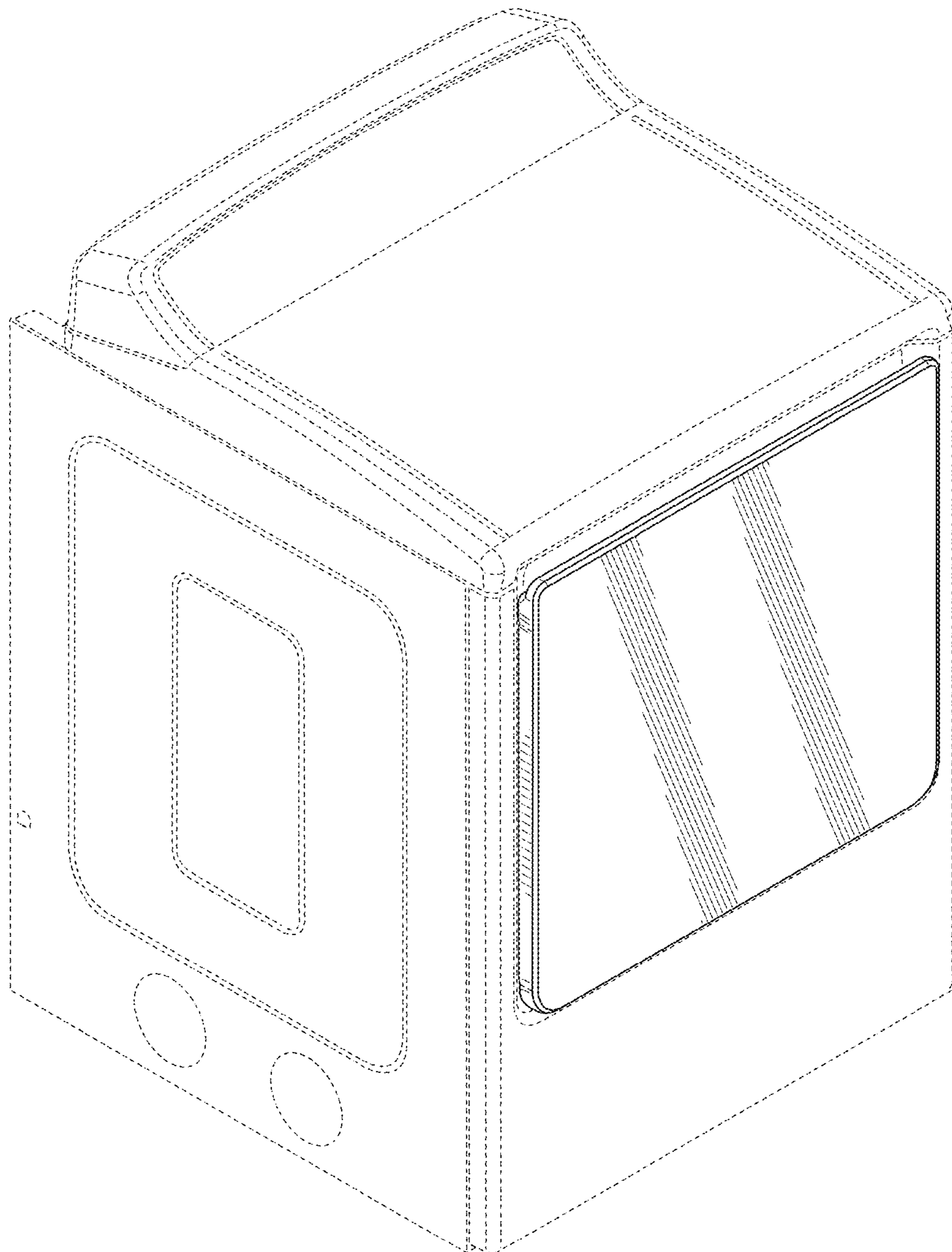


FIG. 2

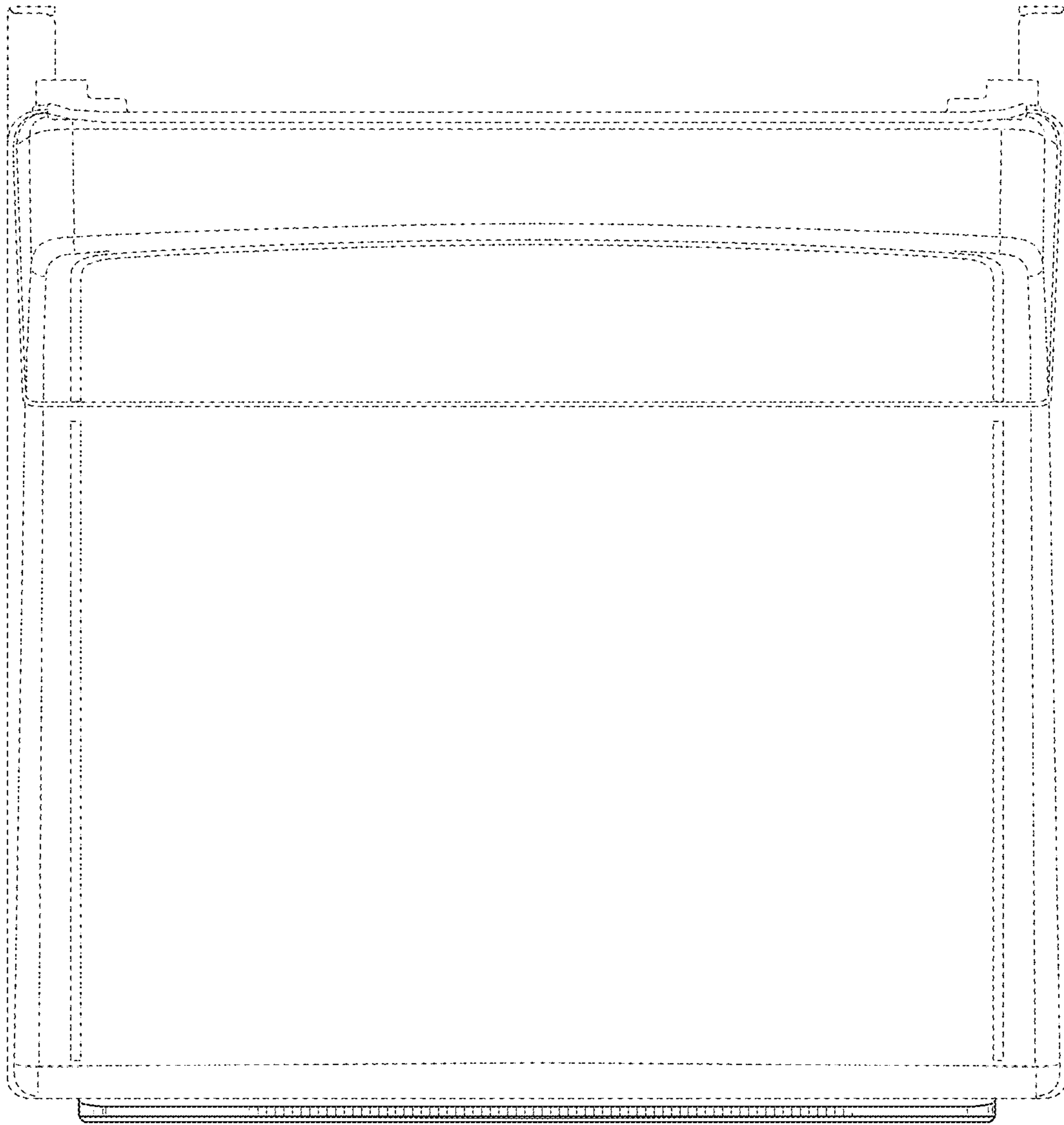


FIG. 3

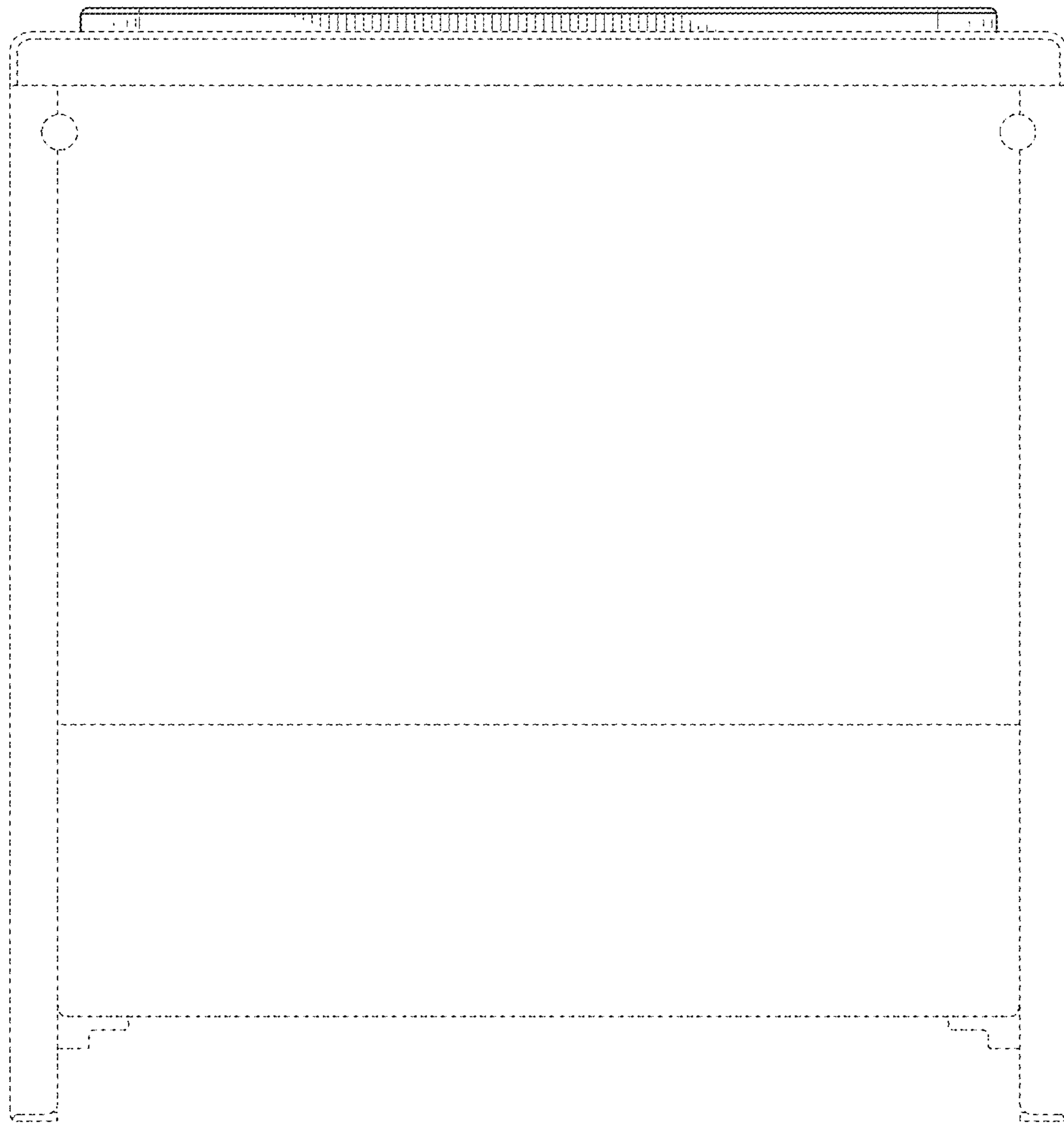


FIG. 4

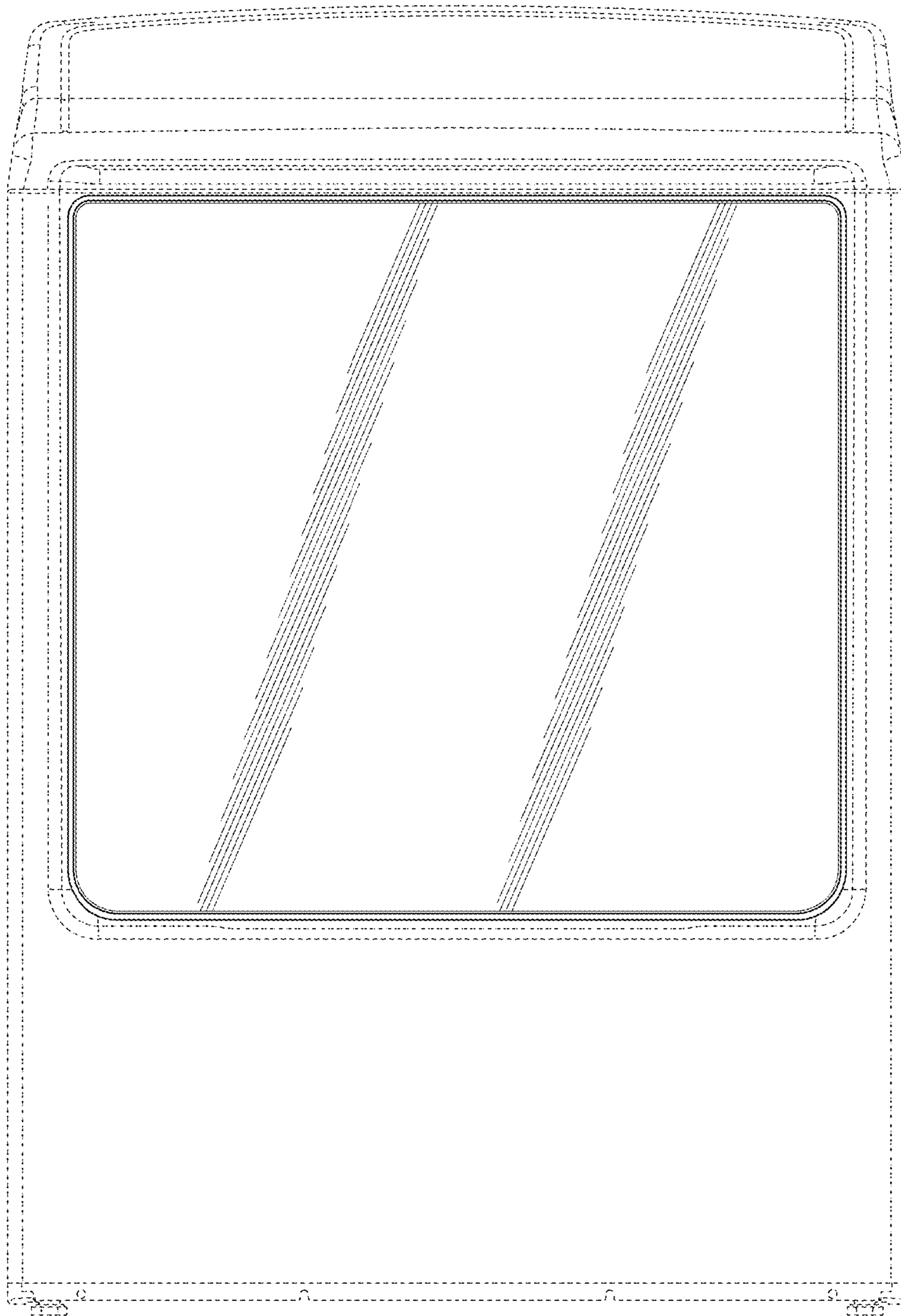


FIG. 5

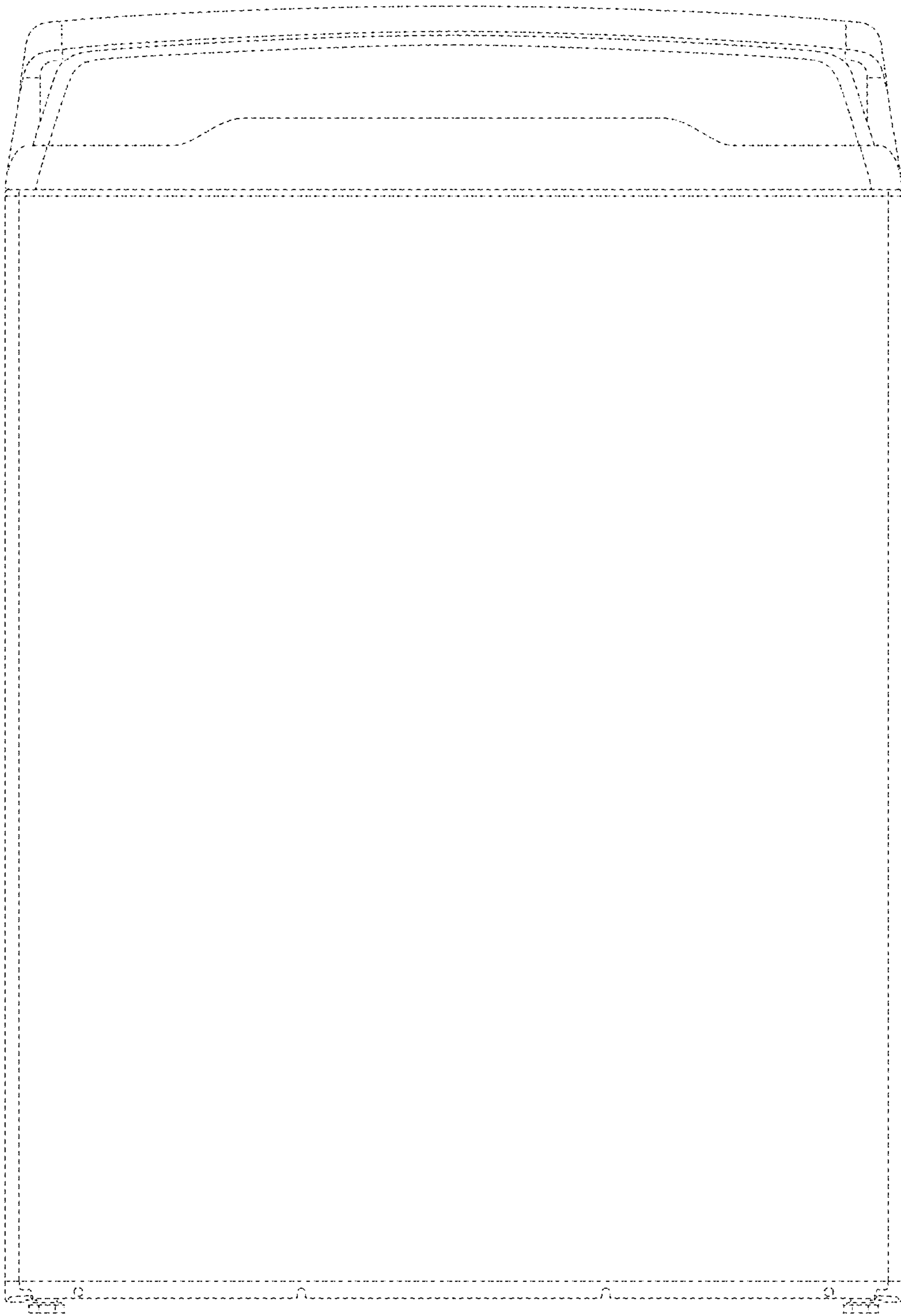


FIG. 6

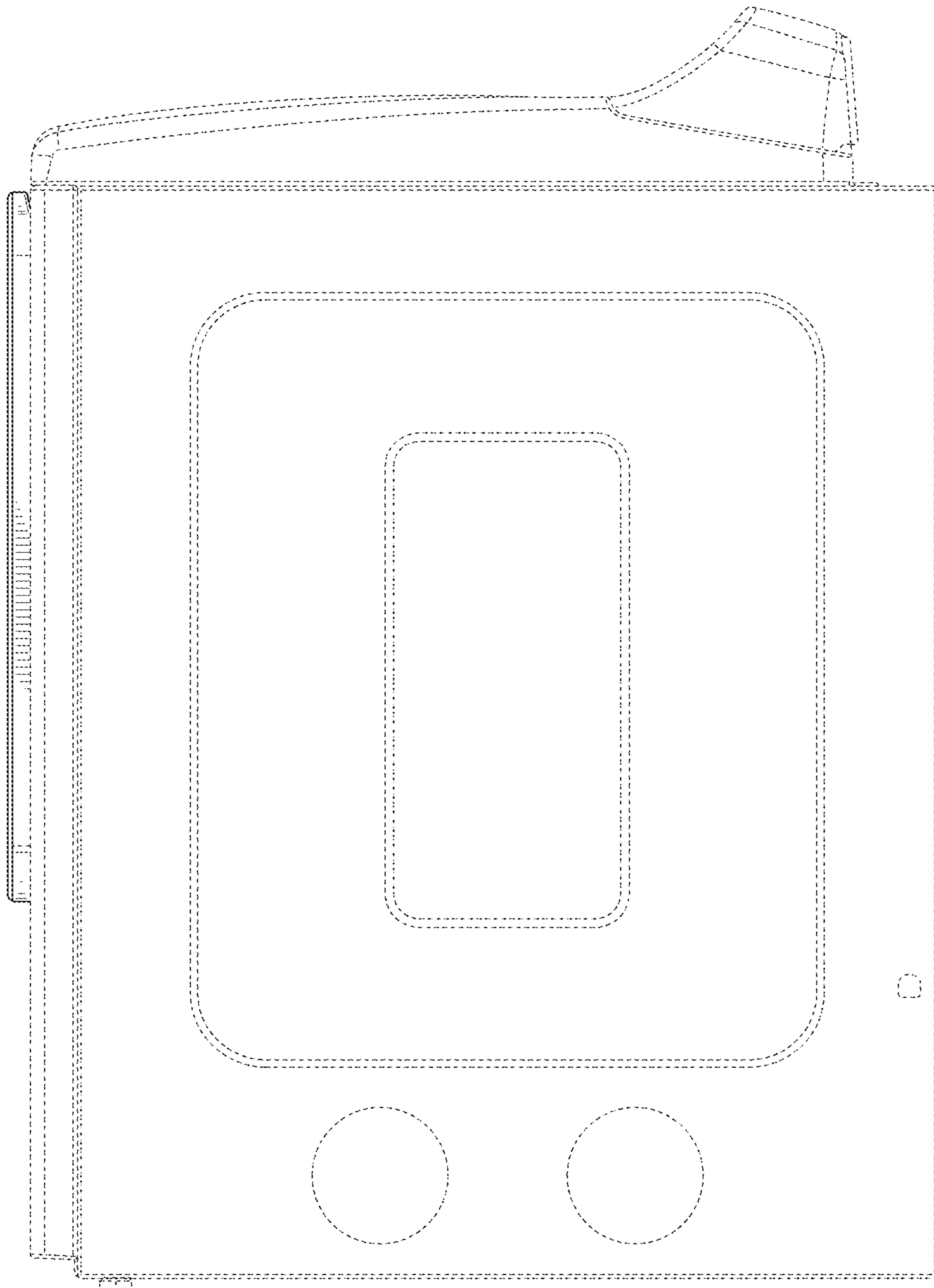


FIG. 7

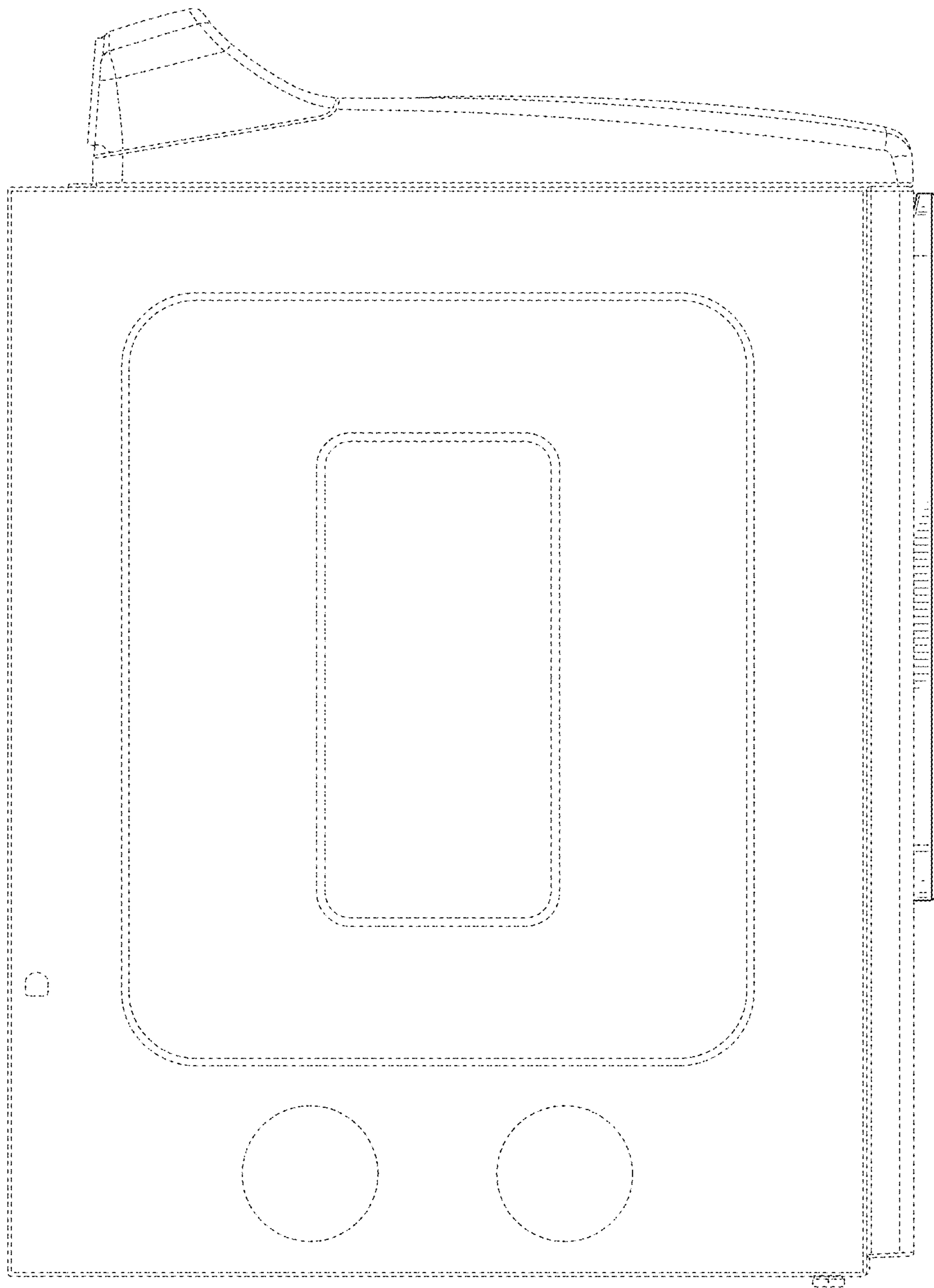


FIG. 8