



US00D772506S

(12) **United States Design Patent**  
**Bixby et al.**

(10) **Patent No.:** **US D772,506 S**

(45) **Date of Patent:** **\*\* Nov. 22, 2016**

(54) **FRONTLOAD DRYING APPLIANCE**

(71) Applicant: **WHIRLPOOL CORPORATION**,  
Benton Harbor, MI (US)

(72) Inventors: **Seth E. Bixby**, Stevensville, MI (US);  
**Richard K. Gresens**, Saint Joseph, MI  
(US); **John W. McConnell**, Saint  
Joseph, MI (US); **Patrick J. Schiavone**,  
Benton Harbor, MI (US); **Samuel B.**  
**Breneman**, Saint Joseph, MI (US)

(73) Assignee: **Whirlpool Corporation**, Benton  
Harbor, MI (US)

(\*\*) Term: **15 Years**

(21) Appl. No.: **29/561,333**

(22) Filed: **Apr. 15, 2016**

**Related U.S. Application Data**

(62) Division of application No. 29/499,761, filed on Aug.  
19, 2014, now Pat. No. Des. 758,030.

(51) **LOC (10) Cl.** ..... **15-05**

(52) **U.S. Cl.**  
USPC ..... **D32/25**

(58) **Field of Classification Search**

USPC ..... D32/1-6, 8, 10, 25, 28; D3/218;  
312/228, 228.1, 236, 294, 326;  
220/810; 68/3 R, 5 R, 235 R, 196, 212;  
34/108, 130, 131, 132, 595, 596, 597;  
8/137

CPC ..... A47B 77/08; A47B 96/00; D06F 39/14;  
D06F 39/028; D06F 33/02; D06F 37/28;  
D06F 58/00

See application file for complete search history.

(56) **References Cited**

**U.S. PATENT DOCUMENTS**

D648,085 S \* 11/2011 Miller ..... D32/28  
D651,778 S \* 1/2012 Miller ..... D32/25

D654,640 S \* 2/2012 Song ..... D32/6  
D679,462 S \* 4/2013 Zhang ..... D32/6  
D694,965 S \* 12/2013 Lee ..... D32/6  
D739,096 S \* 9/2015 Qin ..... D32/6  
D758,028 S \* 5/2016 Bixby ..... D32/25  
D758,029 S \* 5/2016 Bixby ..... D32/25  
D758,030 S \* 5/2016 Bixby ..... D32/25  
D758,031 S \* 5/2016 Bixby ..... D32/25  
D758,032 S \* 5/2016 Bixby ..... D32/25  
D759,325 S \* 6/2016 Jeon ..... D32/6

(Continued)

*Primary Examiner* — Rosemary K Tarcza

*Assistant Examiner* — Yolanda Robinson

(57) **CLAIM**

We claim the ornamental design for a frontload drying  
appliance, as shown and described.

**DESCRIPTION**

FIG. 1 is a first top perspective view of the frontload drying  
appliance of the present invention;

FIG. 2 is a second top perspective view of the frontload  
drying appliance of the present invention;

FIG. 3 is a top plan view of the frontload drying appliance  
of the present invention; FIG. 4 is a bottom plan view of the  
frontload drying appliance of the present invention; FIG. 5  
is a first side elevation view of the frontload drying appli-  
ance of the present invention;

FIG. 6 is a second side elevation view of the frontload drying  
appliance of the present invention;

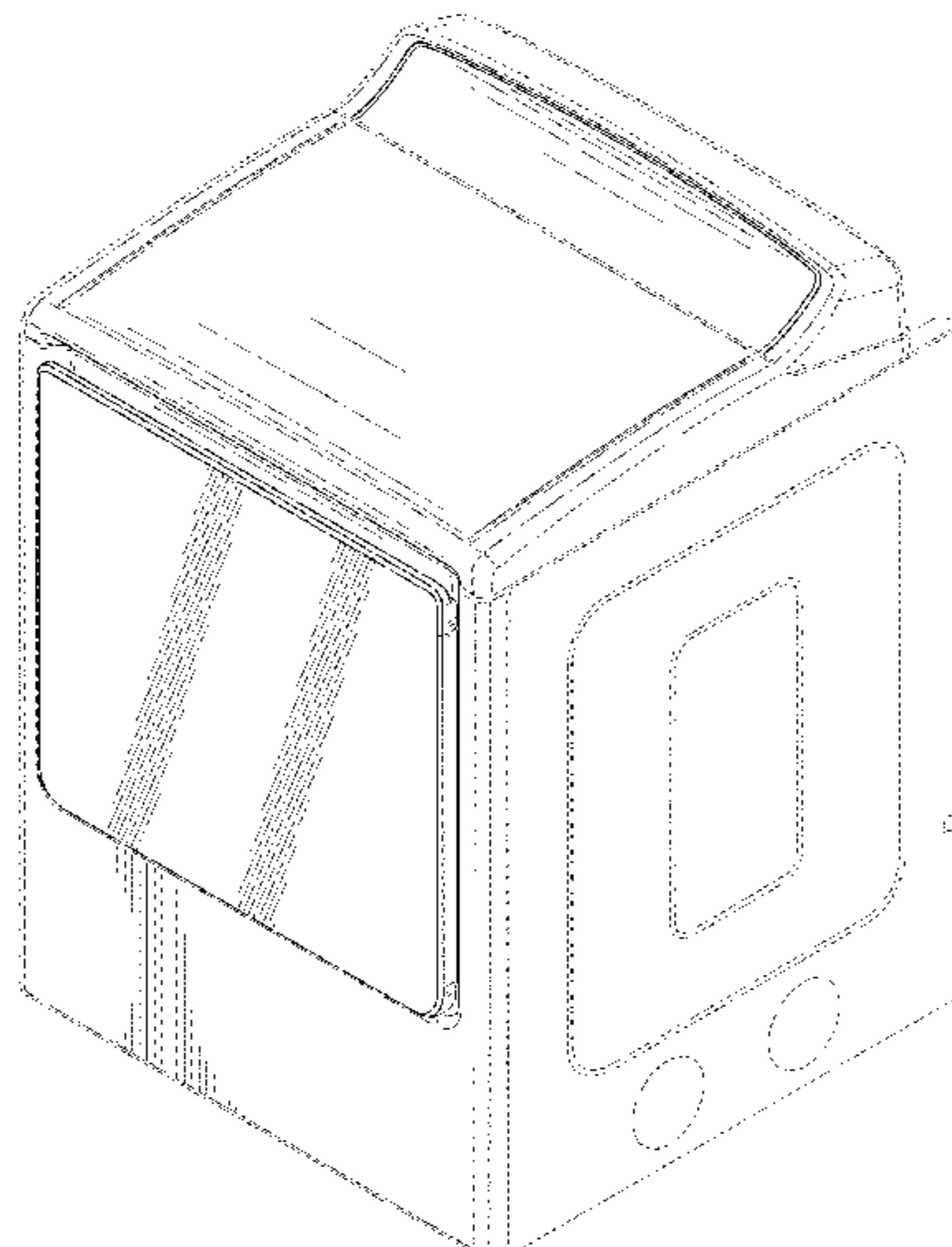
FIG. 7 is a third side elevation view of the frontload drying  
appliance of the present invention; and,

FIG. 8 is a fourth side elevation view of the frontload drying  
appliance of the present invention.

The broken lines shown in the figures are for the purpose of  
illustrating unclaimed portions of the frontload drying appli-  
ance and form no part of the claimed design.

The dash-dot broken line(s) define the bounds of the claimed  
design and form no part thereof.

**1 Claim, 8 Drawing Sheets**



# US D772,506 S

Page 2

(56)

## References Cited

### U.S. PATENT DOCUMENTS

D759,912 S \* 6/2016 Bixby ..... D32/25  
D759,913 S \* 6/2016 Jeon ..... D32/25  
D760,456 S \* 6/2016 Jeon ..... D32/25  
2006/0290247 A1\* 12/2006 Lim ..... D06F 39/12  
312/278  
2008/0295544 A1\* 12/2008 Cho ..... D06F 37/42  
68/12.26

2013/0186199 A1\* 7/2013 Bhandwale ..... G01M 1/28  
73/462  
2015/0233039 A1\* 8/2015 Cho ..... D06F 37/225  
312/228  
2015/0233042 A1\* 8/2015 Kang ..... D06F 39/12  
312/228  
2016/0076187 A1\* 3/2016 Lee ..... D06F 37/28  
312/228

\* cited by examiner

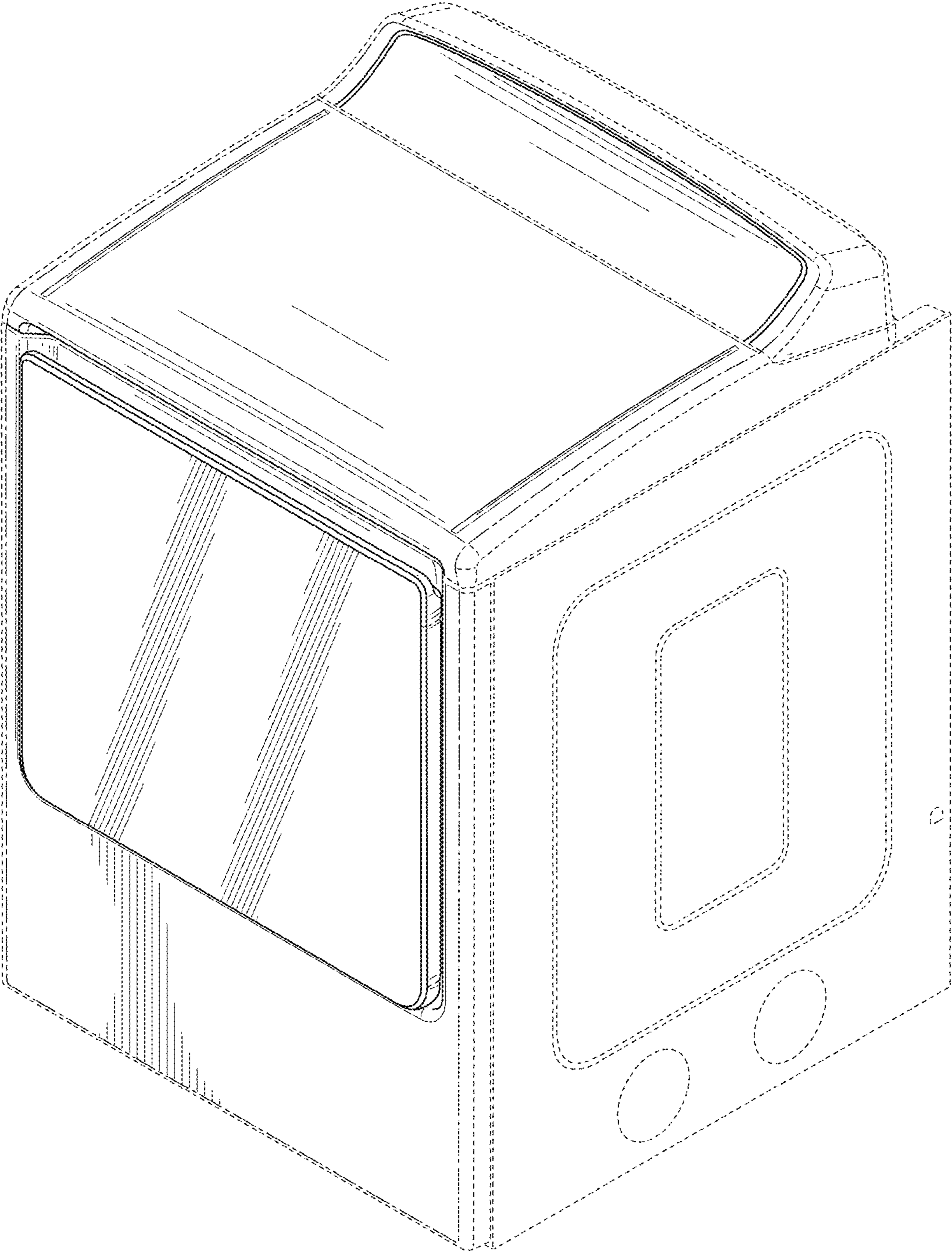


Fig. 1



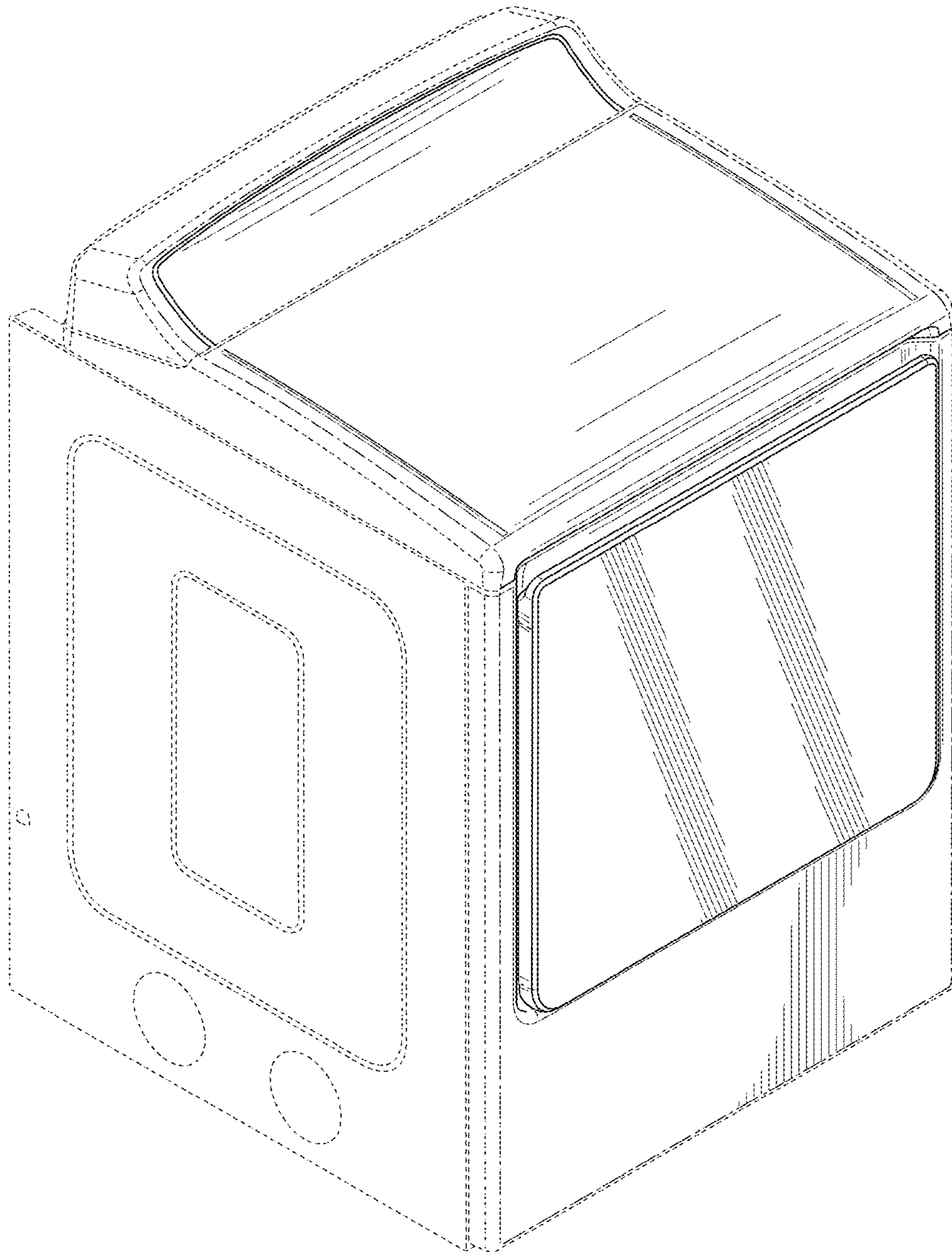


Fig. 2

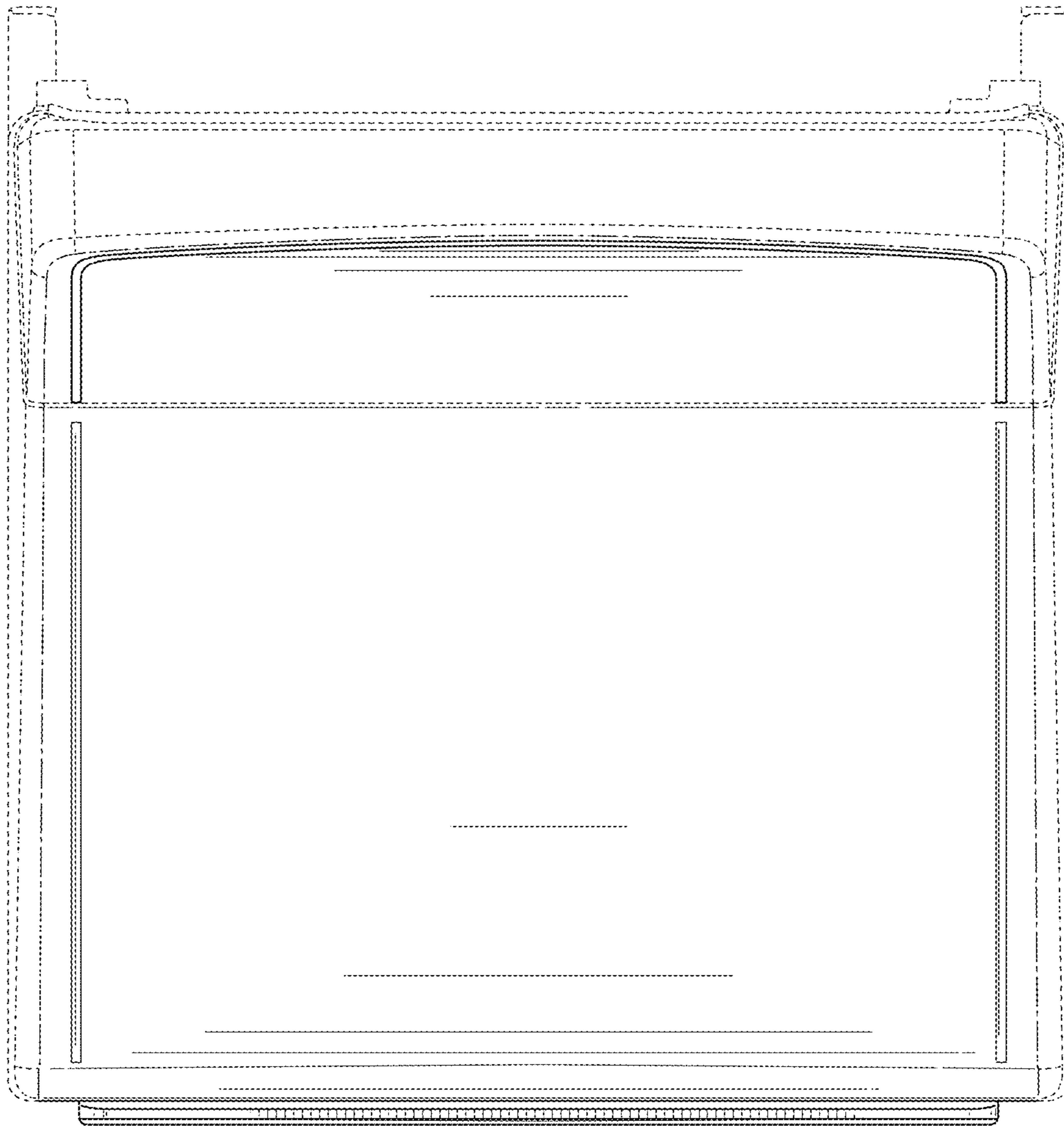


Fig. 3

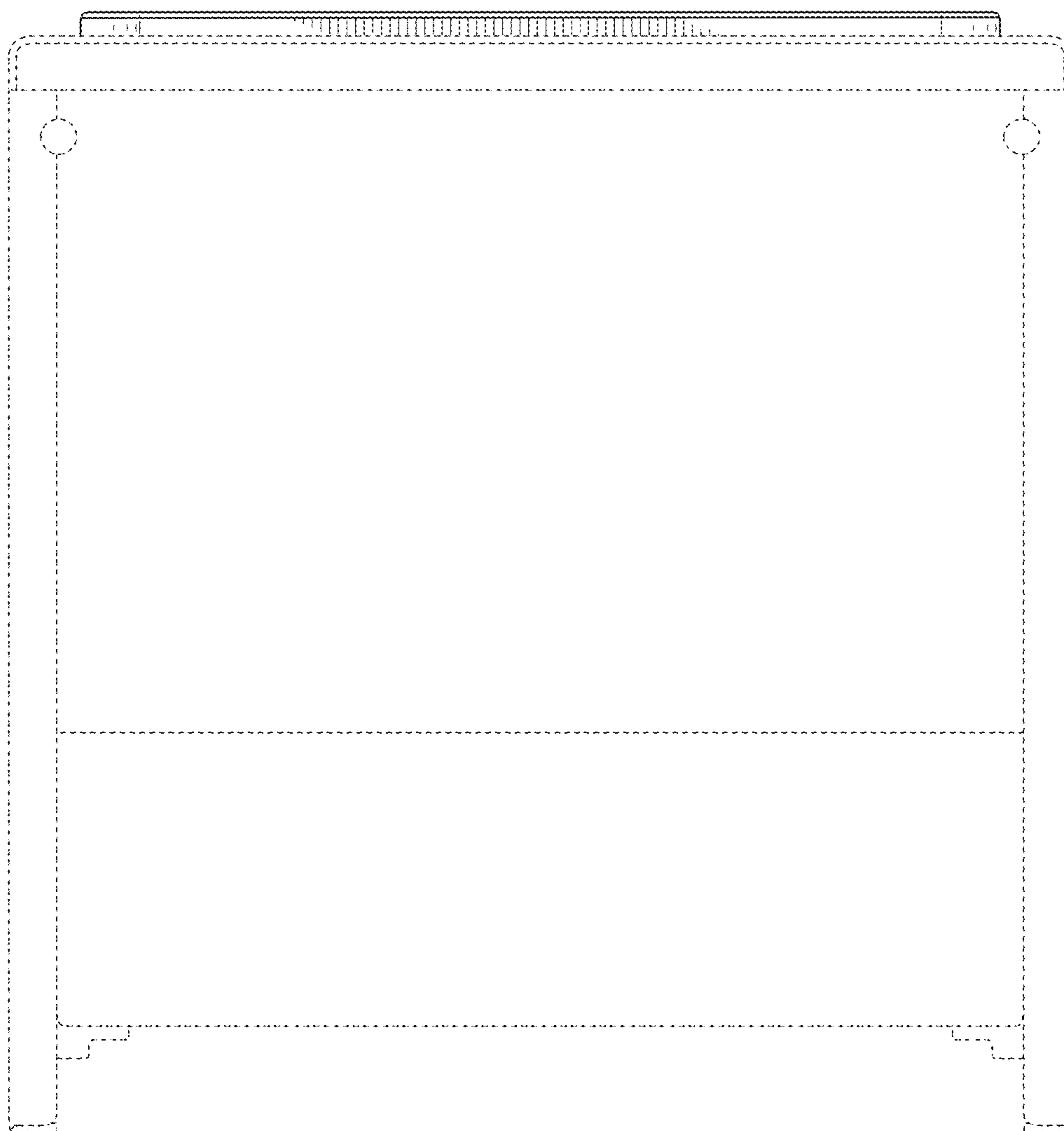


Fig. 4

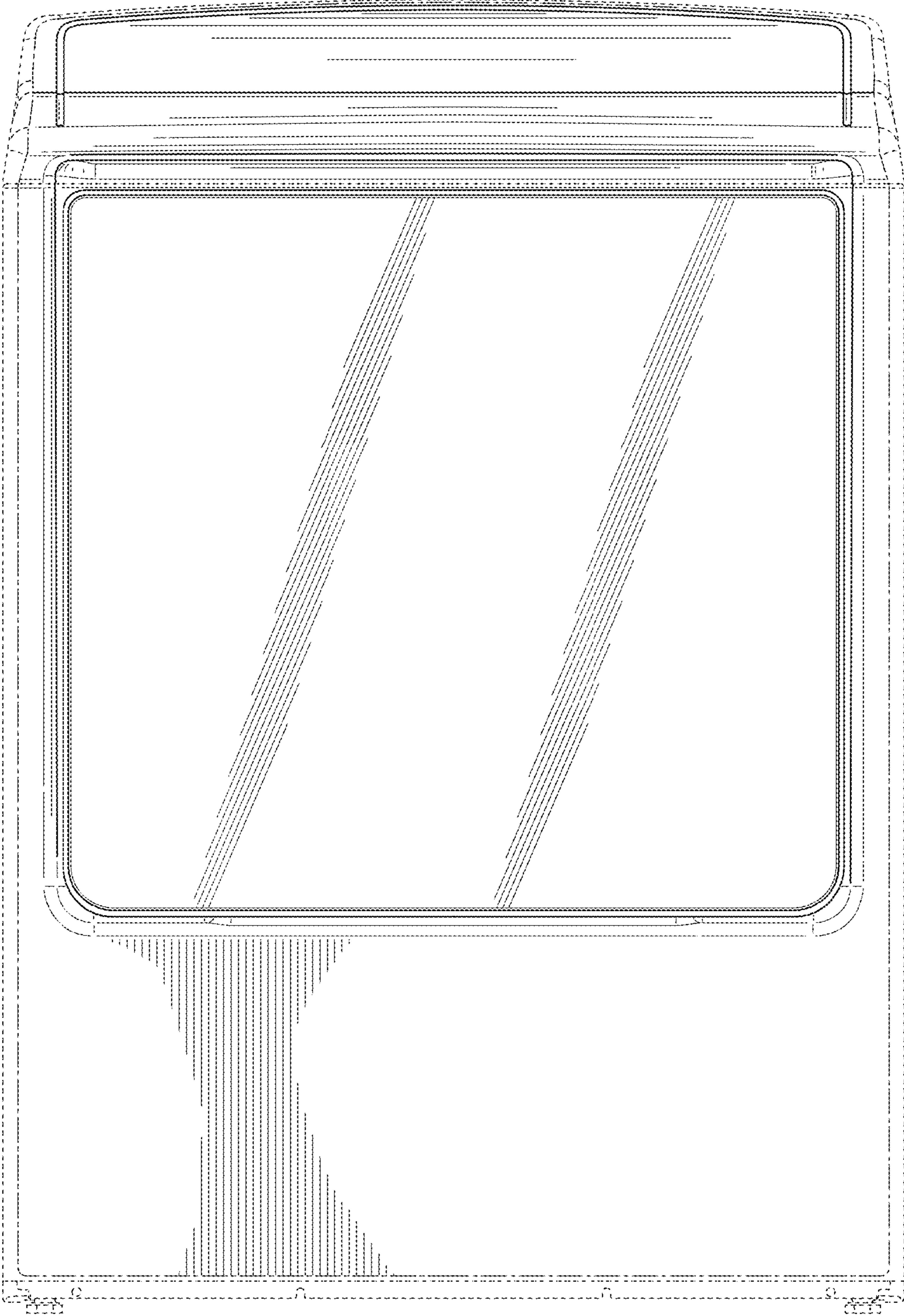


Fig. 5

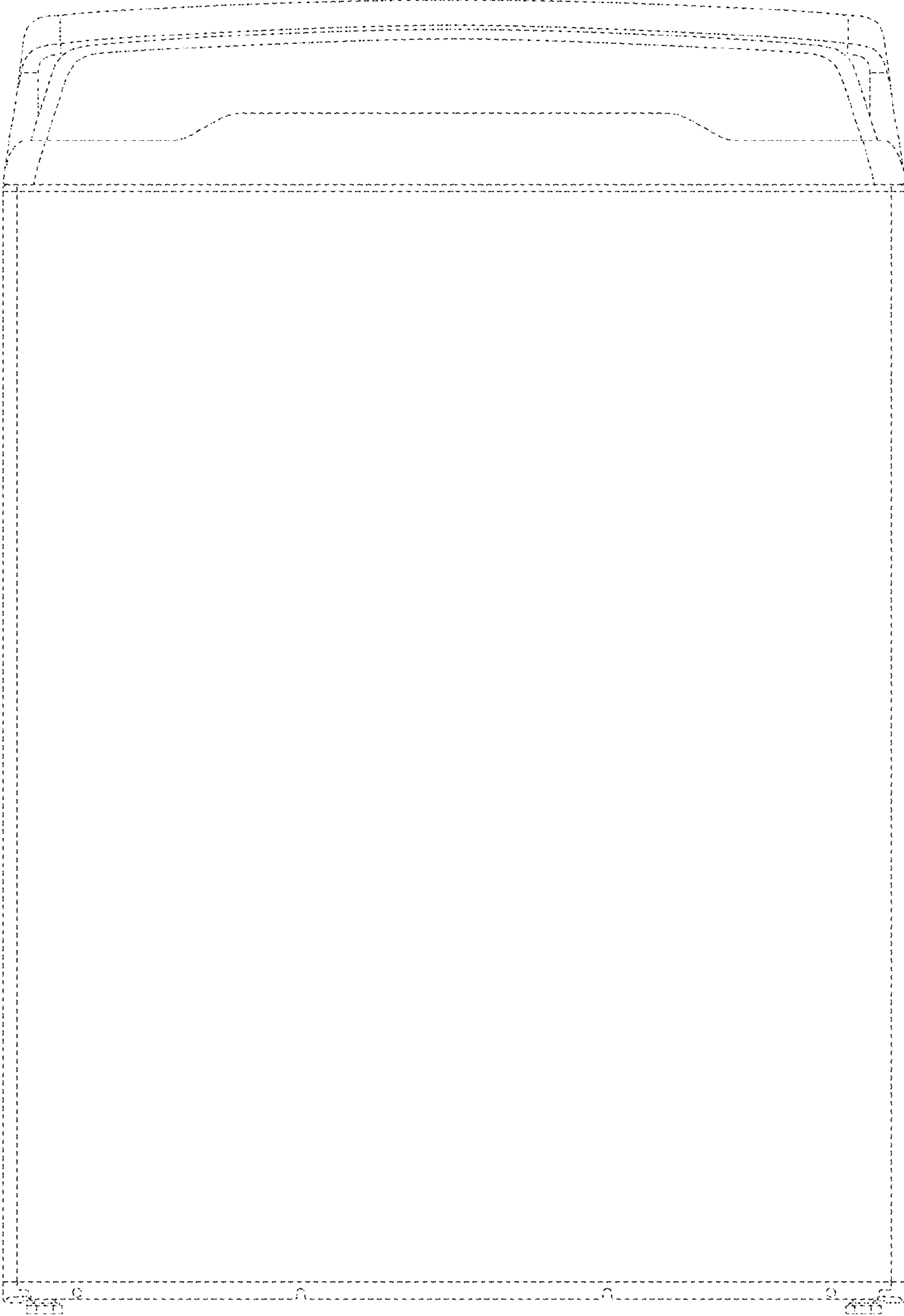


Fig. 6



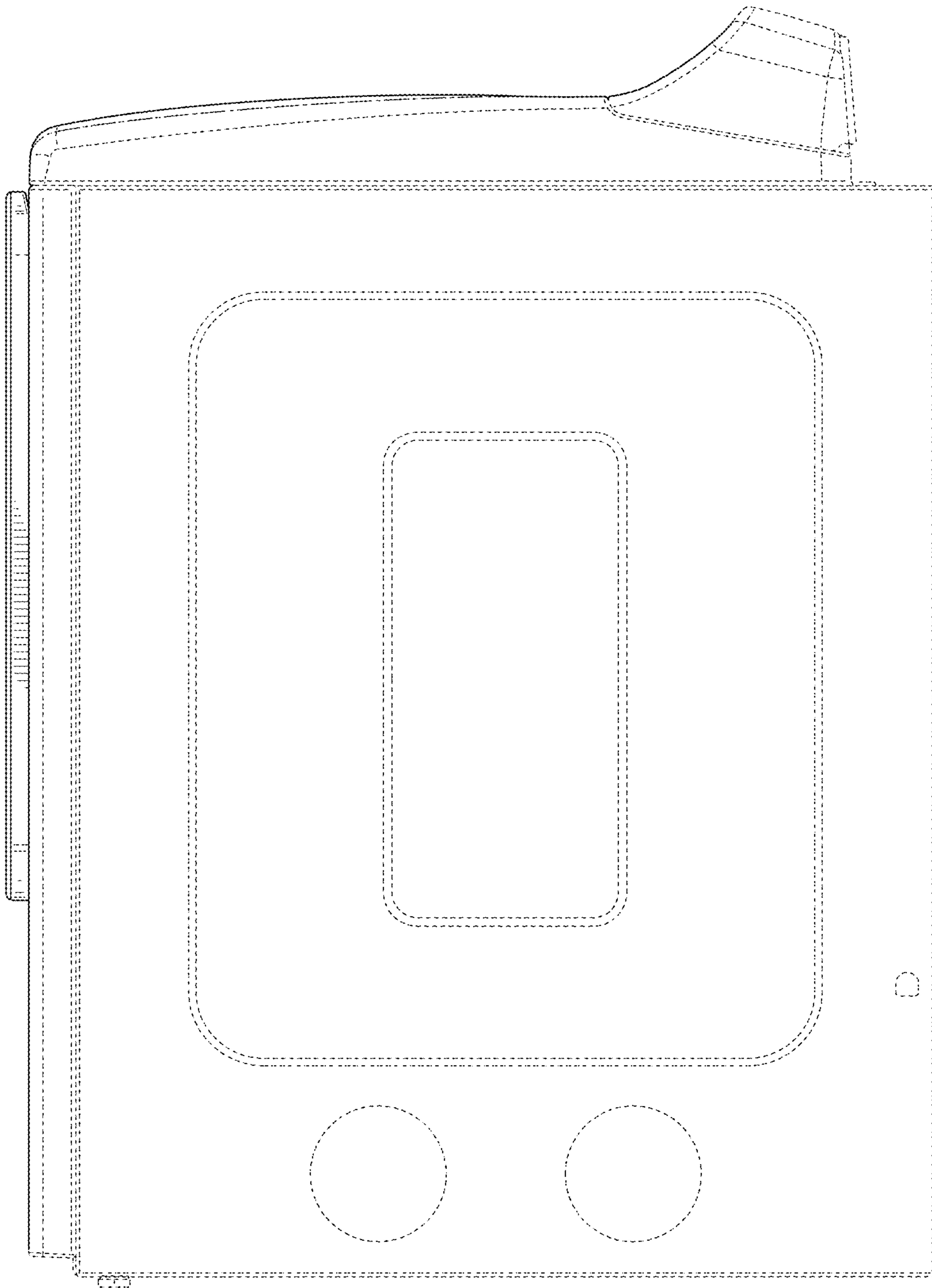


Fig. 7

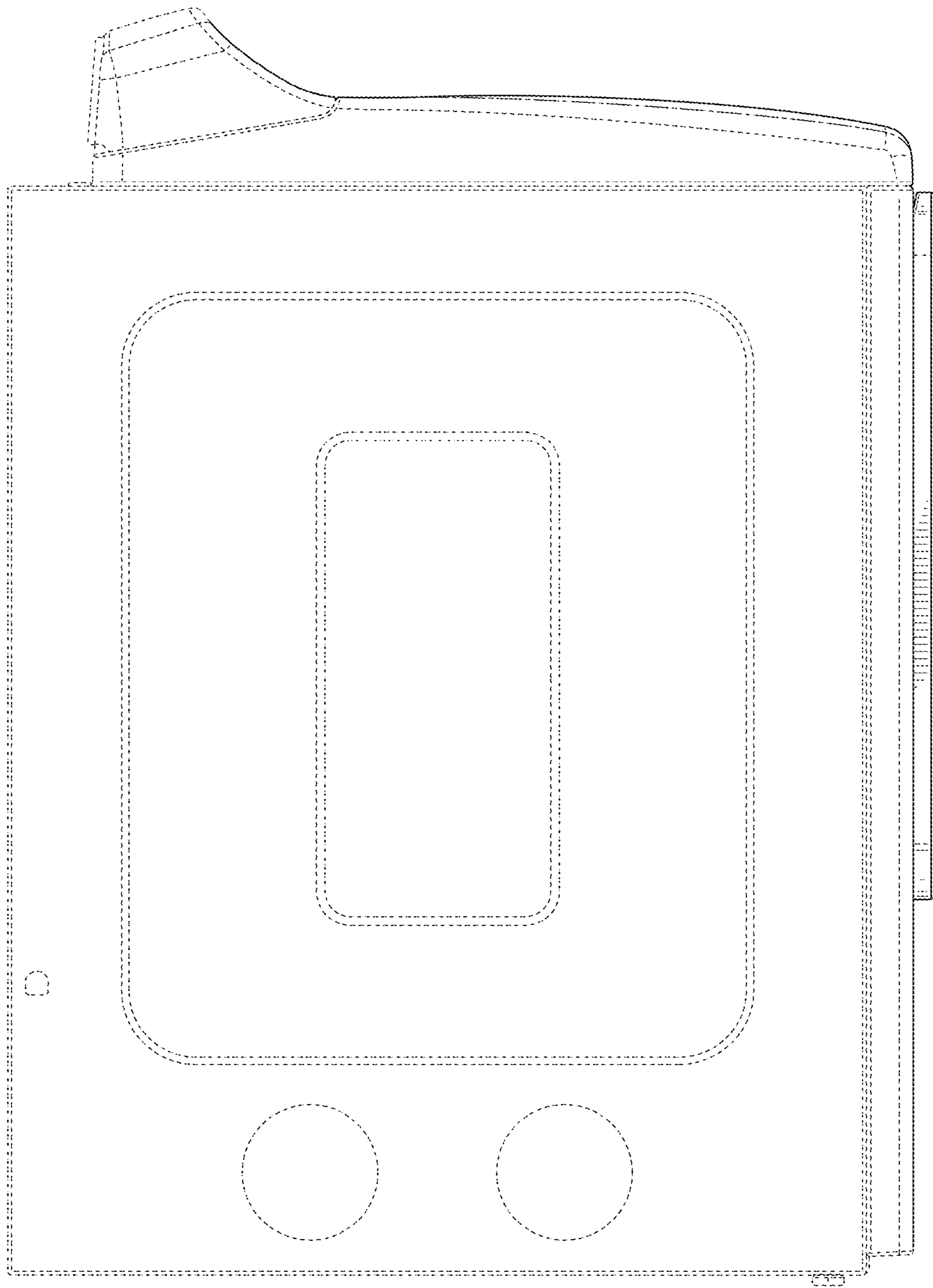


Fig. 8