



US00D772505S

(12) **United States Design Patent** (10) **Patent No.:** **US D772,505 S**
Bixby et al. (45) **Date of Patent:** **** Nov. 22, 2016**

(54) **TOPLOAD WASHING APPLIANCE**

(71) Applicant: **WHIRLPOOL CORPORATION**,
Benton Harbor, MI (US)

(72) Inventors: **Seth E. Bixby**, Stevensville, MI (US);
Richard K. Gresens, Saint Joseph, MI
(US); **John W. McConnell**, Saint
Joseph, MI (US); **Patrick J. Schiavone**,
Benton Harbor, MI (US); **Samuel B.**
Breneman, Saint Joseph, MI (US)

(73) Assignee: **Whirlpool Corporation**, Benton
Harbor, MI (US)

(**) Term: **15 Years**

(21) Appl. No.: **29/561,332**

(22) Filed: **Apr. 15, 2016**

Related U.S. Application Data

(62) Division of application No. 29/499,746, filed on Aug.
19, 2014, now Pat. No. Des. 758,029.

(51) **LOC (10) Cl.** **15-05**

(52) **U.S. Cl.**
USPC **D32/25**

(58) **Field of Classification Search**
USPC D32/1-6, 8, 10, 25, 28; 312/228, 228.1,
312/236, 294, 326; 220/810; 68/3 R, 5 R,
68/235 R, 196, 212; 34/108, 130, 131, 132,
34/595, 596, 597; 8/137
CPC A47B 77/08; A47B 96/00; D06F 39/14;
D06F 39/028; D06F 33/02; D06F 37/28;
D06F 58/00

See application file for complete search history.

(56) **References Cited**

U.S. PATENT DOCUMENTS

D651,778 S * 1/2012 Miller D32/25
D654,640 S * 2/2012 Song D32/6

D679,462 S * 4/2013 Zhang D32/6
D694,965 S * 12/2013 Lee D32/6
D758,028 S * 5/2016 Bixby D32/25
D758,029 S * 5/2016 Bixby D32/25
D758,030 S * 5/2016 Bixby D32/25
D758,031 S * 5/2016 Bixby D32/25
D758,032 S * 5/2016 Bixby D32/25

(Continued)

Primary Examiner — Rosemary K Tarcza
Assistant Examiner — Yolanda Robinson

(57) **CLAIM**

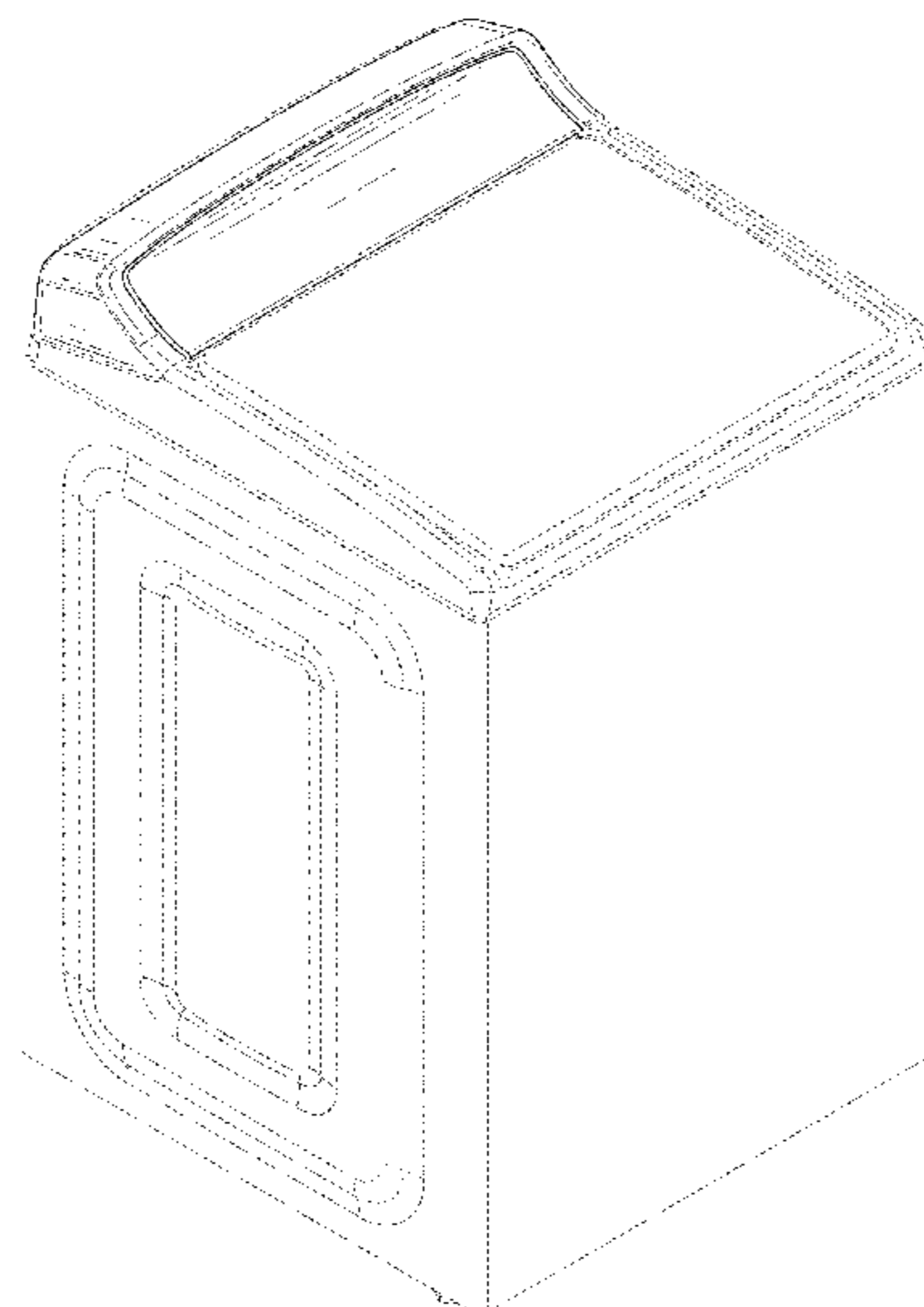
We claim the ornamental design for a topload washing
appliance, as shown and described.

DESCRIPTION

FIG. 1 is a first top perspective view of the topload washing
appliance of the present invention;
FIG. 2 is a second top perspective view of the topload
washing appliance of the present invention;
FIG. 3 is a top plan view of the topload washing appliance
of the present invention;
FIG. 4 is a bottom plan view of the topload washing
appliance of the present invention;
FIG. 5 is a first side elevation view of the topload washing
appliance of the present invention;
FIG. 6 is a second side elevation view of the topload
washing appliance of the present invention;
FIG. 7 is a third side elevation view of the topload washing
appliance of the present invention;
FIG. 8 is a fourth side elevation view of the topload washing
appliance of the present invention; and,
FIG. 9 is another first side elevation view of the topload
washing appliance of the present invention with the door in
an open position to view the underside of the washing
appliance door.

The broken lines in the figures are for the purpose of
illustrating unclaimed portions of the topload washing appli-
ance, and form no part of the claimed design.

1 Claim, 9 Drawing Sheets



US D772,505 S

Page 2

(56)

References Cited

U.S. PATENT DOCUMENTS

D758,033 S * 5/2016 Bixby D32/25
D759,325 S * 6/2016 Jeon D32/6
D759,912 S * 6/2016 Bixby D32/25
D760,454 S * 6/2016 Joo D32/6

D760,458 S * 6/2016 Choi D32/28
2006/0290247 A1* 12/2006 Lim D06F 39/12
312/278
2008/0295544 A1* 12/2008 Cho D06F 37/42
68/12.26
2016/0047078 A1* 2/2016 Leibman D06F 39/028
8/137

* cited by examiner

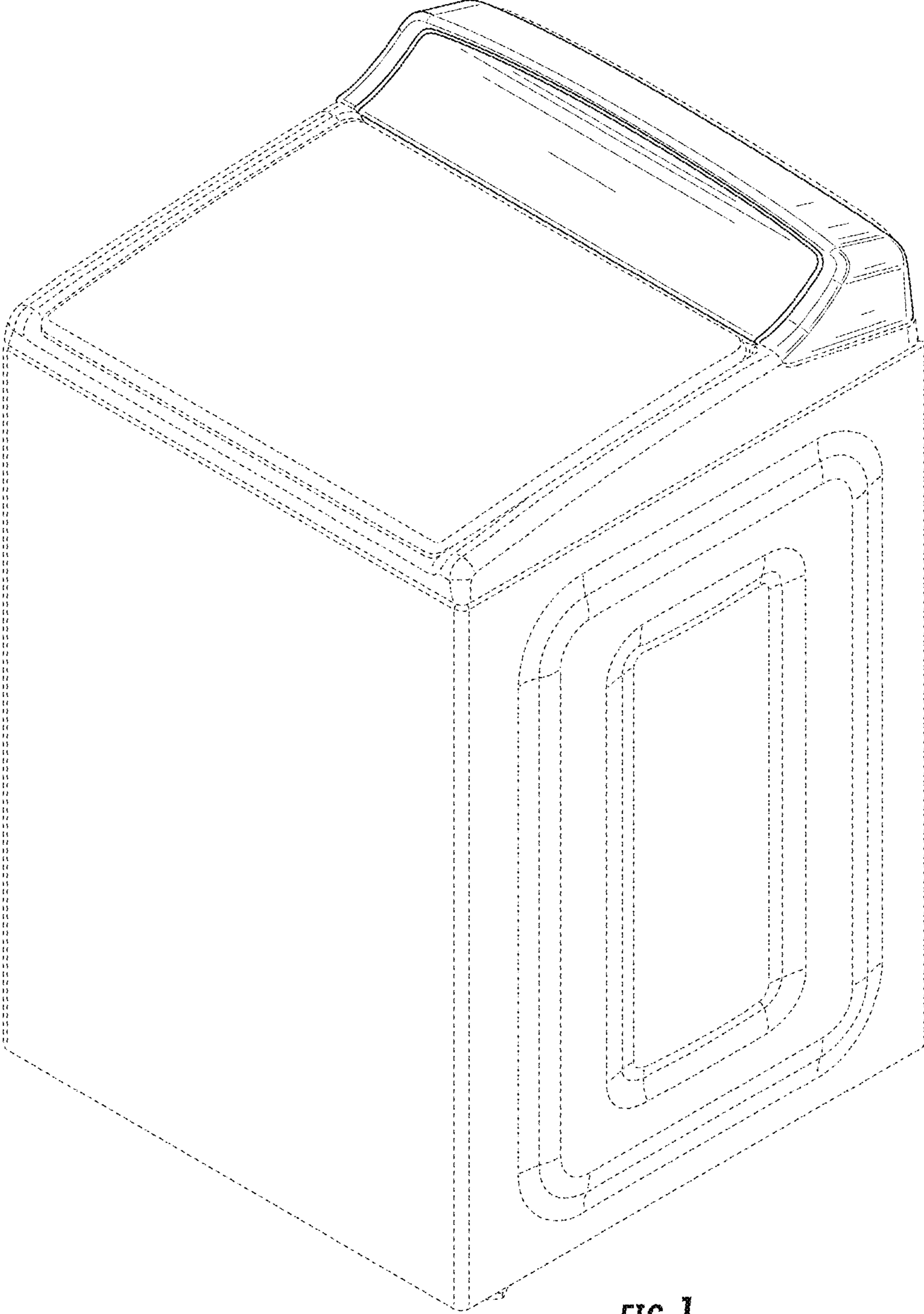


FIG. 1

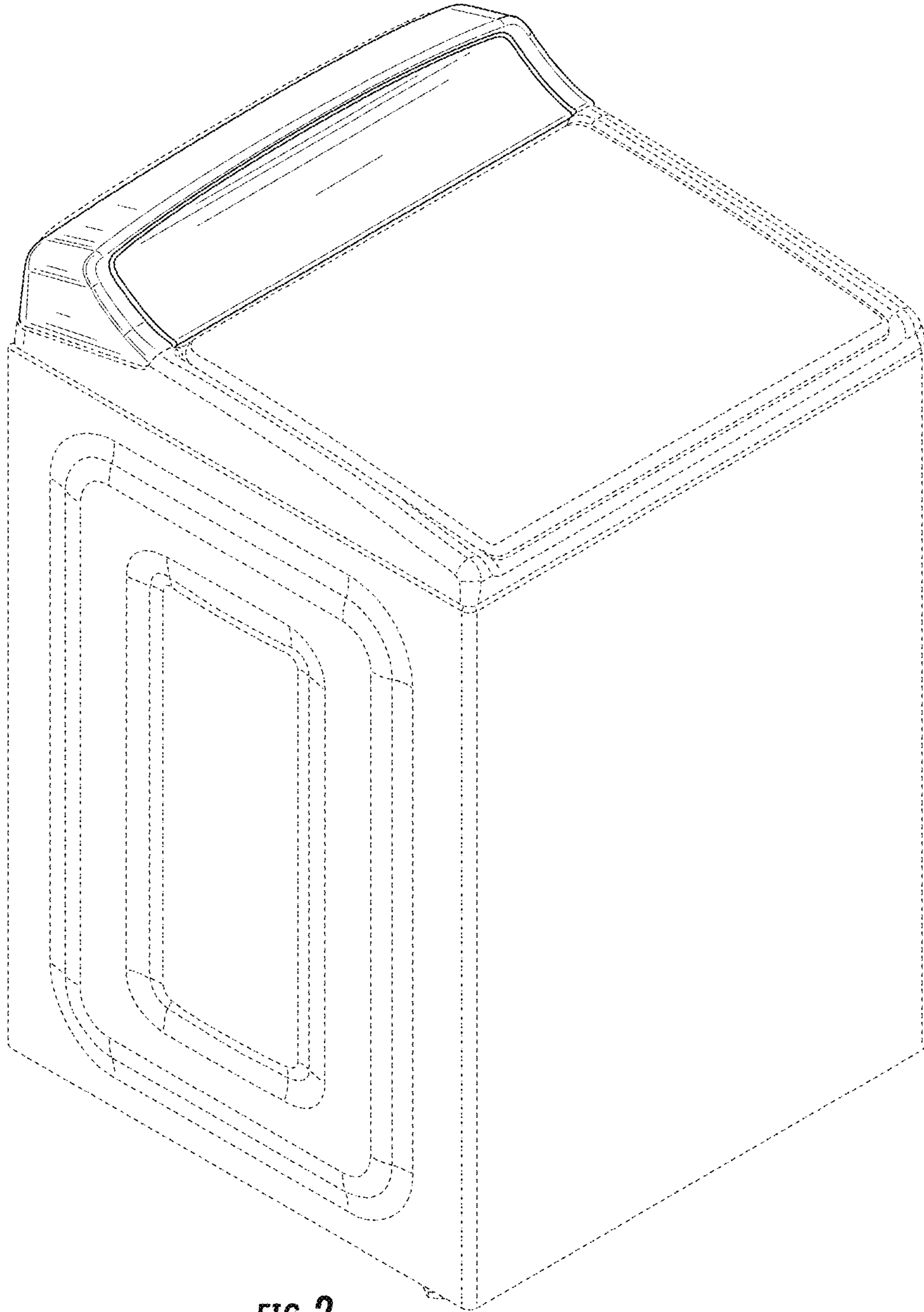


FIG. 2

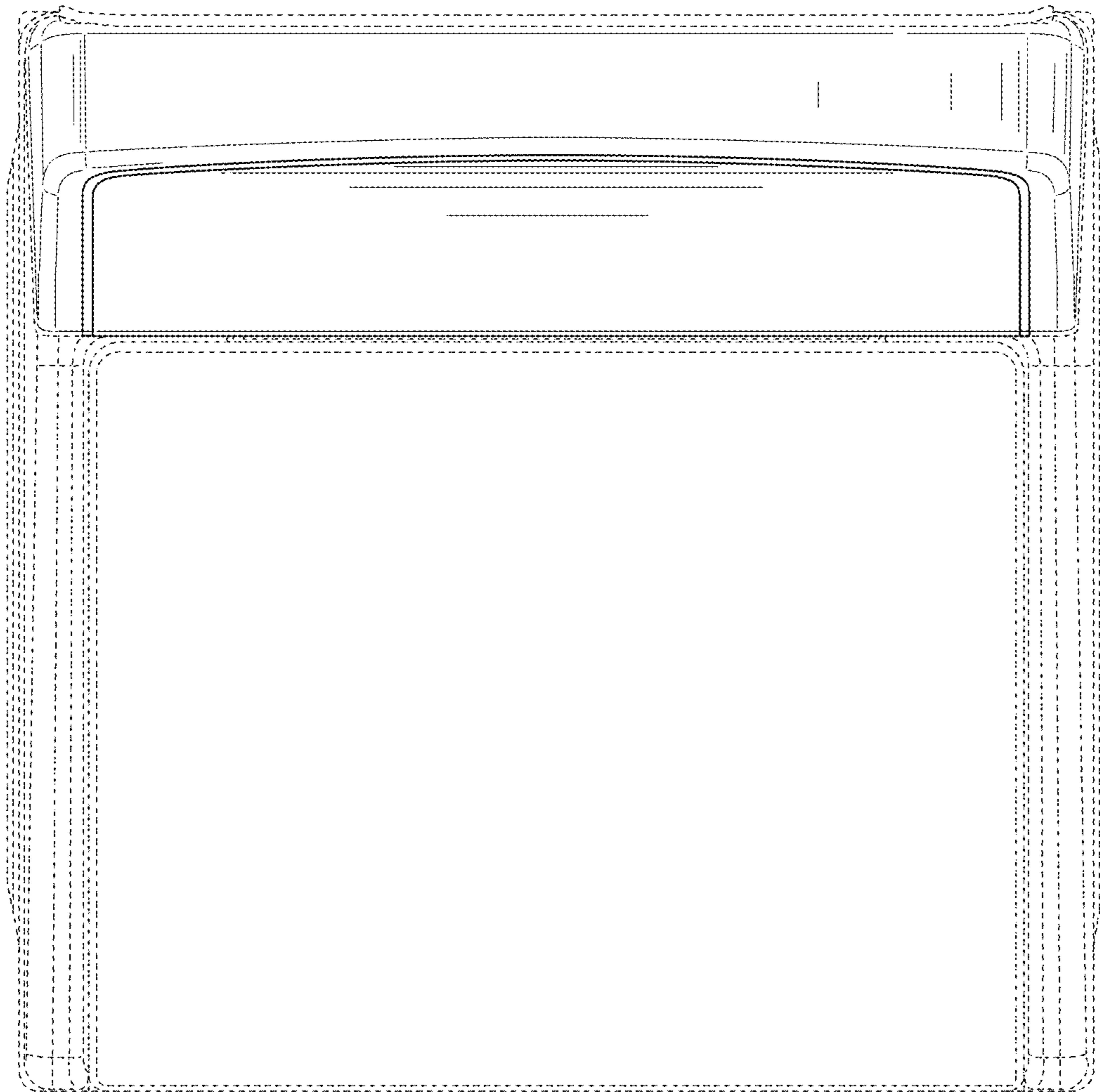


FIG. 3

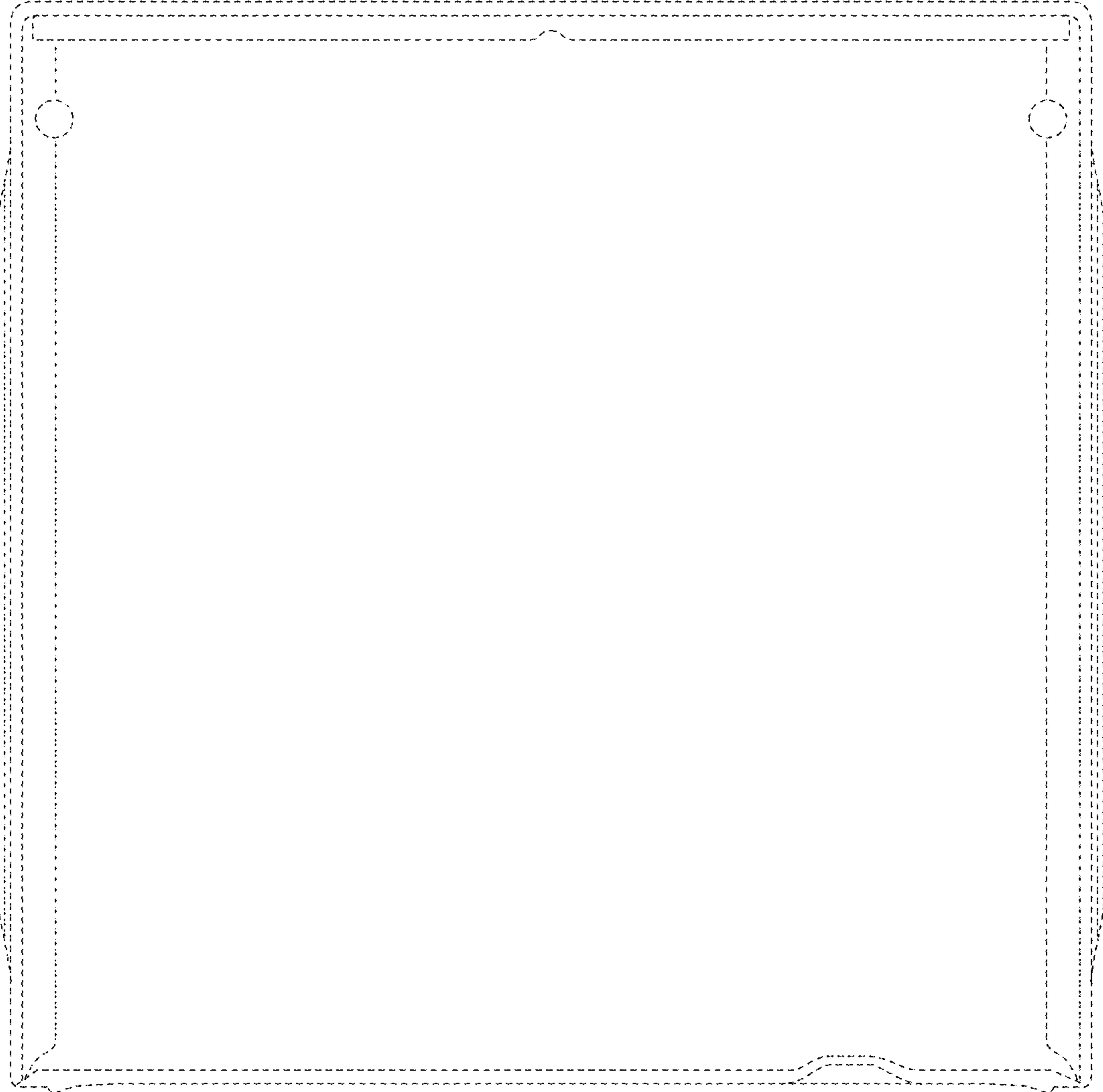


FIG. 4

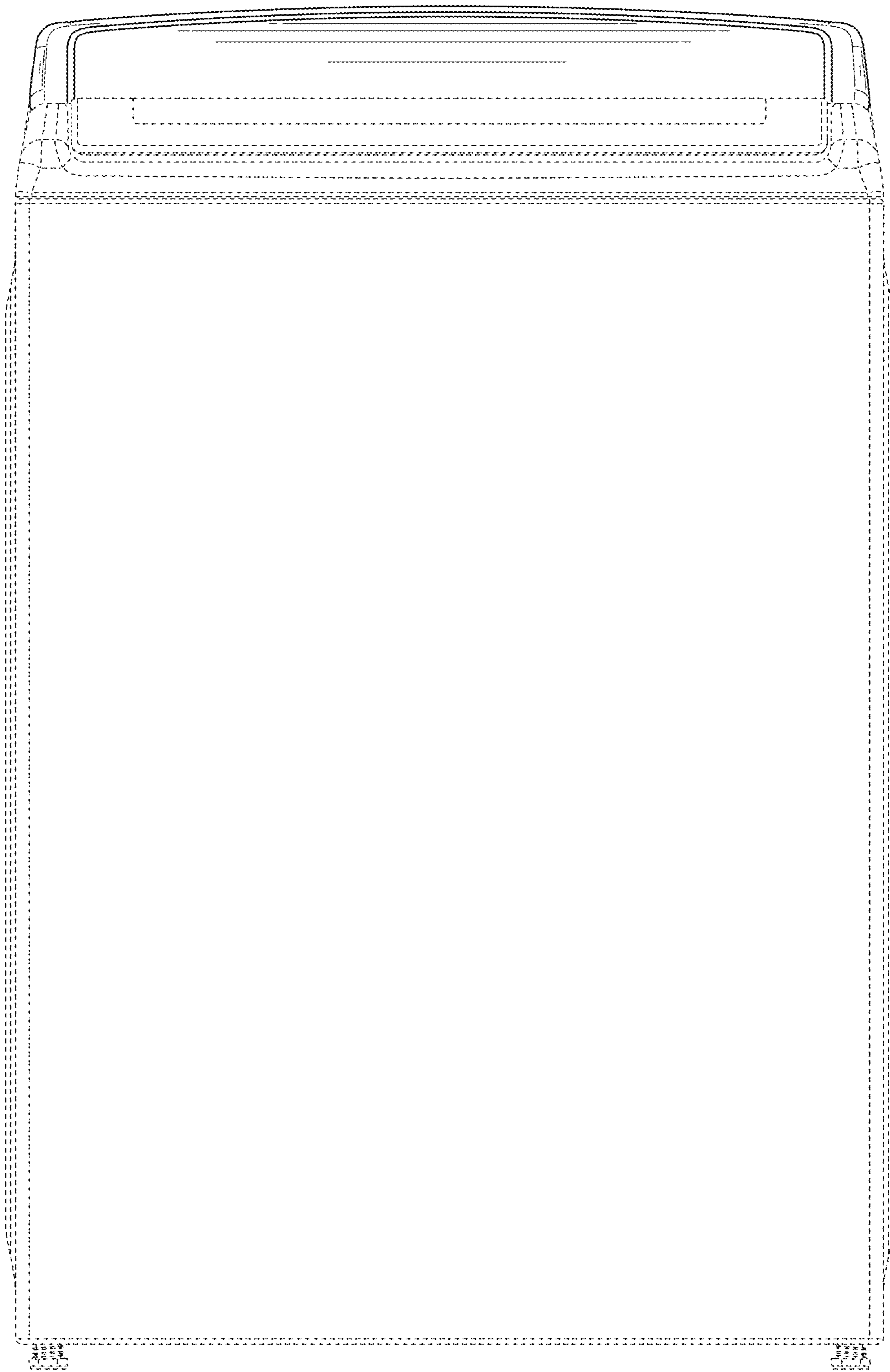


FIG. 5

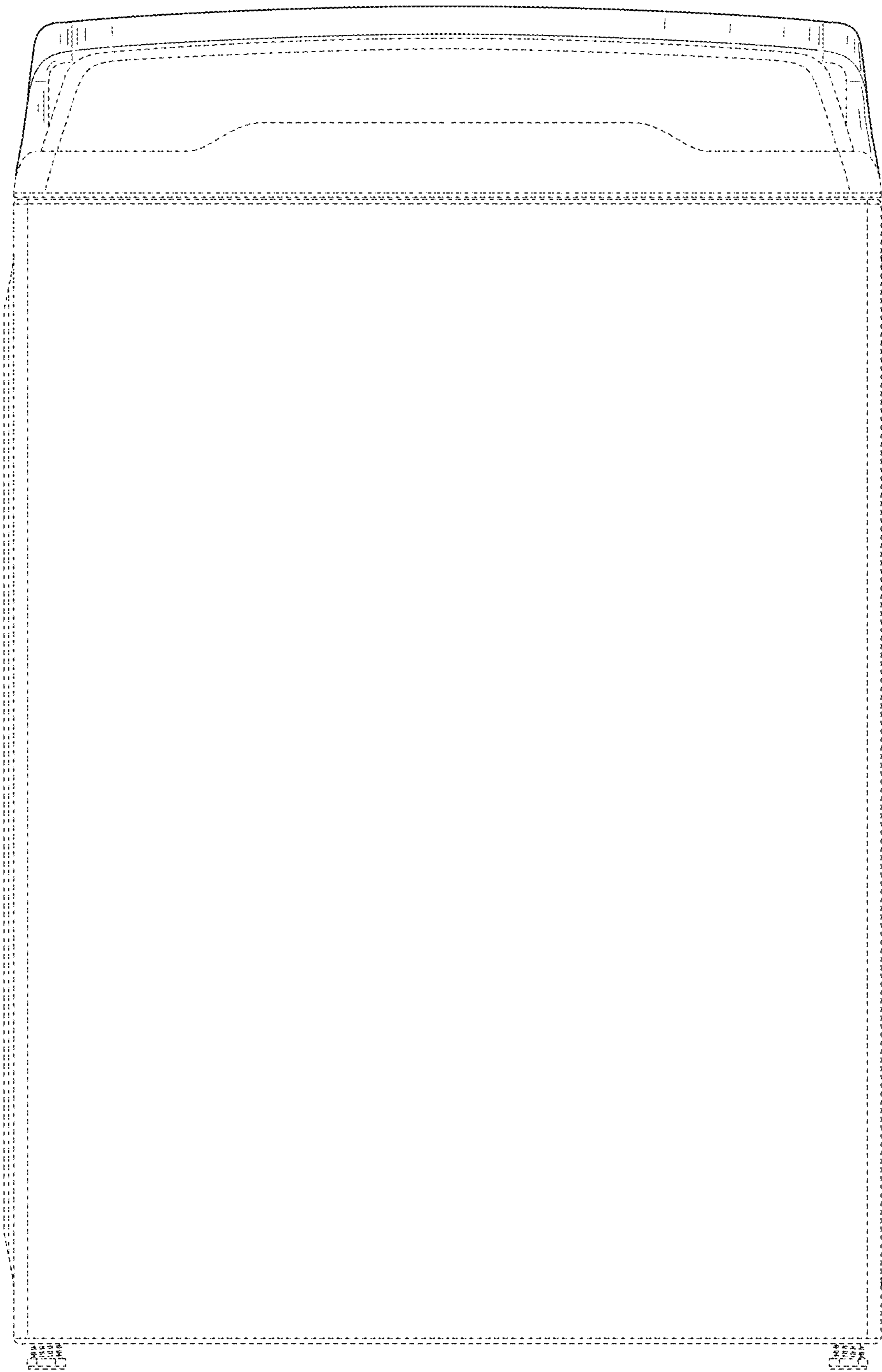


FIG. 6

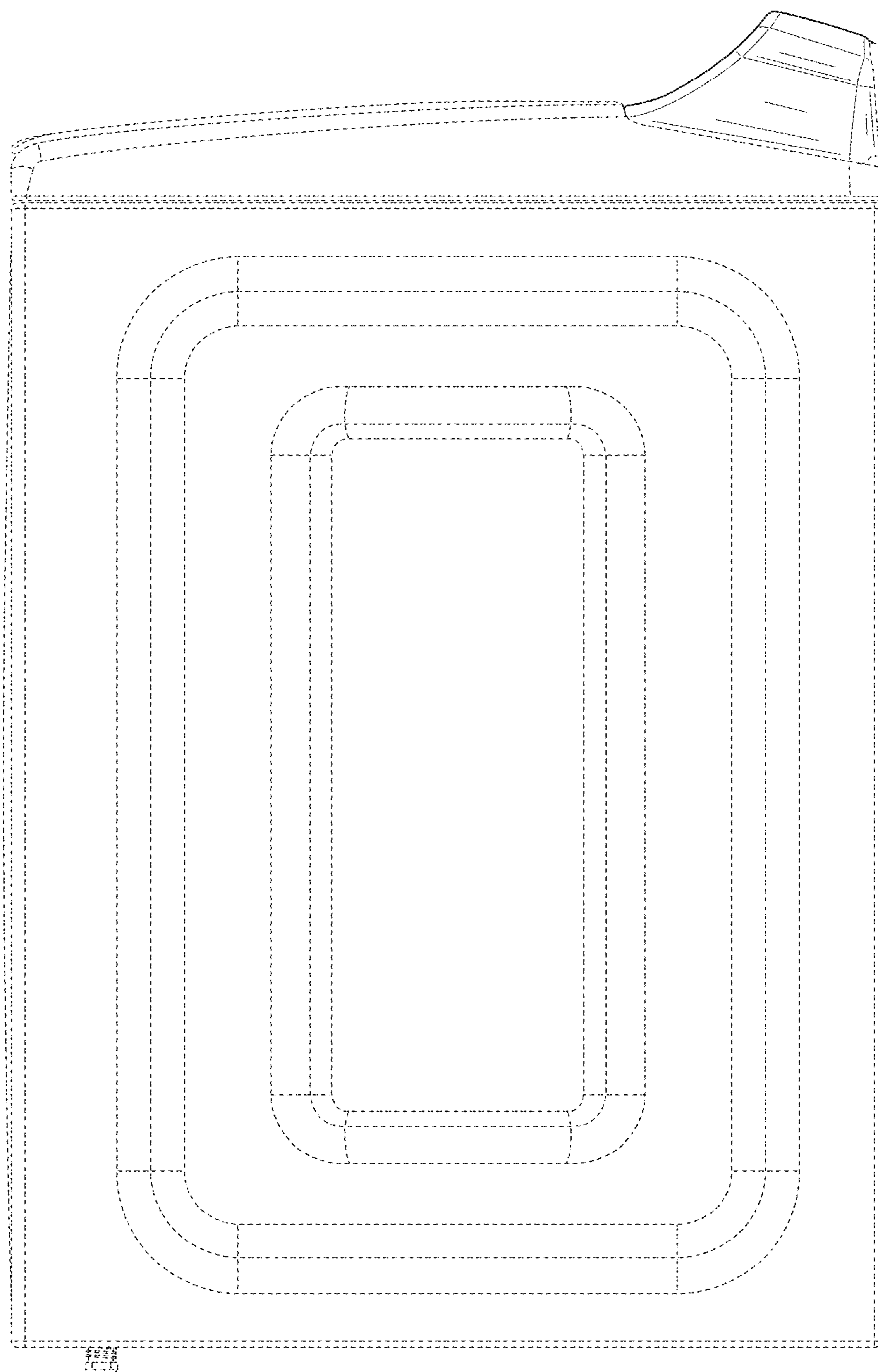


FIG. 7

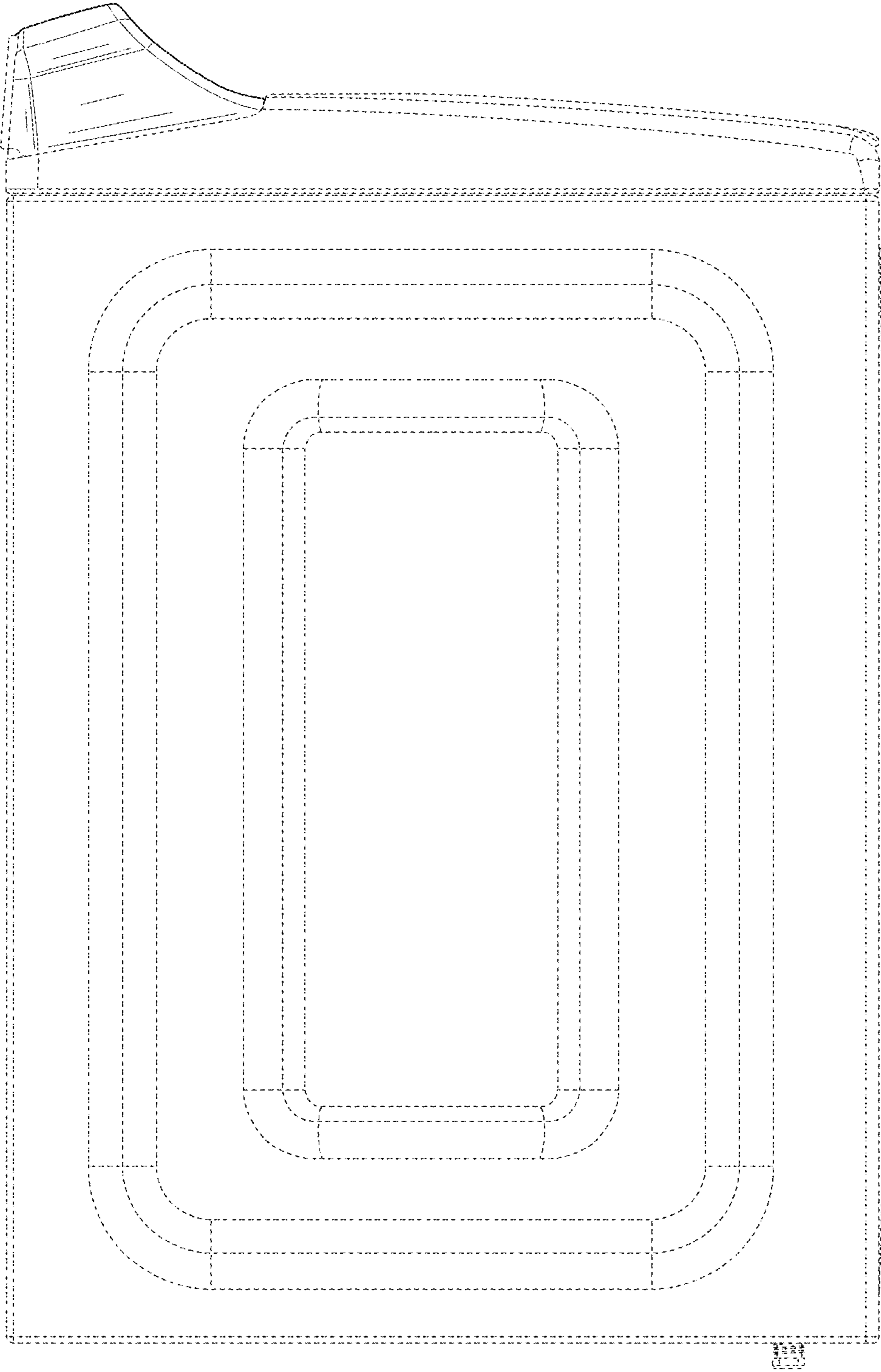


FIG. 8

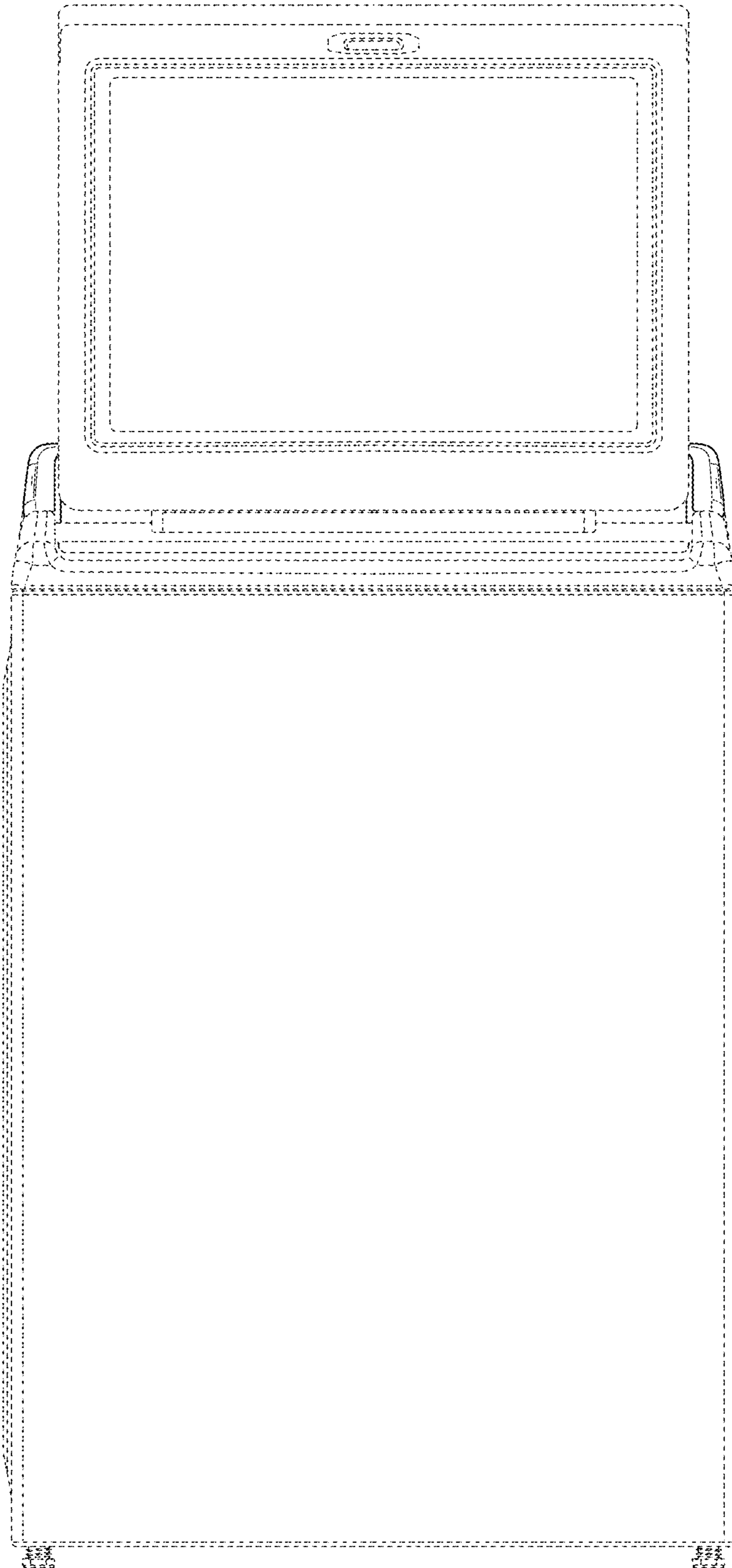


FIG. 9