



US00D772504S

(12) **United States Design Patent** (10) **Patent No.:** **US D772,504 S**
Kang et al. (45) **Date of Patent:** **** Nov. 22, 2016**

(54) **DOOR FOR WASHING MACHINE**
(71) Applicant: **Samsung Electronics Co., Ltd.**,
Suwon-si (KR)
(72) Inventors: **Yoonjong Kang**, Seoul (KR); **Dongwon Chun**, Seoul (KR)
(73) Assignee: **Samsung Electronics Co., Ltd.**,
Suwon-si (KR)

9,217,215 B2 * 12/2015 Kim D06F 39/08
D754,937 S * 4/2016 Kim D32/8
D758,028 S * 5/2016 Bixby D32/25
D758,033 S * 5/2016 Bixby D32/25
9,340,915 B2 * 5/2016 Kim D06F 1/04
2009/0229320 A1 * 9/2009 Yoo D06F 39/14
68/3 R
2011/0308281 A1 * 12/2011 Yu D06F 37/24
68/212
2013/0239626 A1 * 9/2013 Ekbundit D06F 39/12
68/3 R
2015/0076977 A1 * 3/2015 Kim D06F 39/005
312/228

(**) Term: **15 Years**

(Continued)

(21) Appl. No.: **29/536,079**

FOREIGN PATENT DOCUMENTS

(22) Filed: **Aug. 13, 2015**

CN 201430062671 9/2014
KR 30-2010-0057222 3/2012
KR 30-2013-0034129 10/2013

(30) **Foreign Application Priority Data**

Feb. 13, 2015 (KR) 30-2015-0007976

Primary Examiner — Rosemary K Tarcza
Assistant Examiner — Yolanda Robinson
(74) *Attorney, Agent, or Firm* — NSIP Law

(51) **LOC (10) Cl.** **15-05**

(52) **U.S. Cl.**
USPC **D32/25**

(58) **Field of Classification Search**
USPC D32/1-6, 8, 10, 25, 28; 312/228, 228.1,
312/236, 294, 326; 220/810; 68/3 R, 5 R,
68/235 R, 196, 212; 34/108, 130, 131, 132,
34/595, 596, 597; 8/137
CPC . A47B 96/00; B29C 45/0053; D06F 39/022;
D06F 39/14; D06F 39/028; D06F 33/02;
D06F 58/00; D06F 37/28
See application file for complete search history.

(57) **CLAIM**

We claim the ornamental design for a door for washing machine, as shown and described.

DESCRIPTION

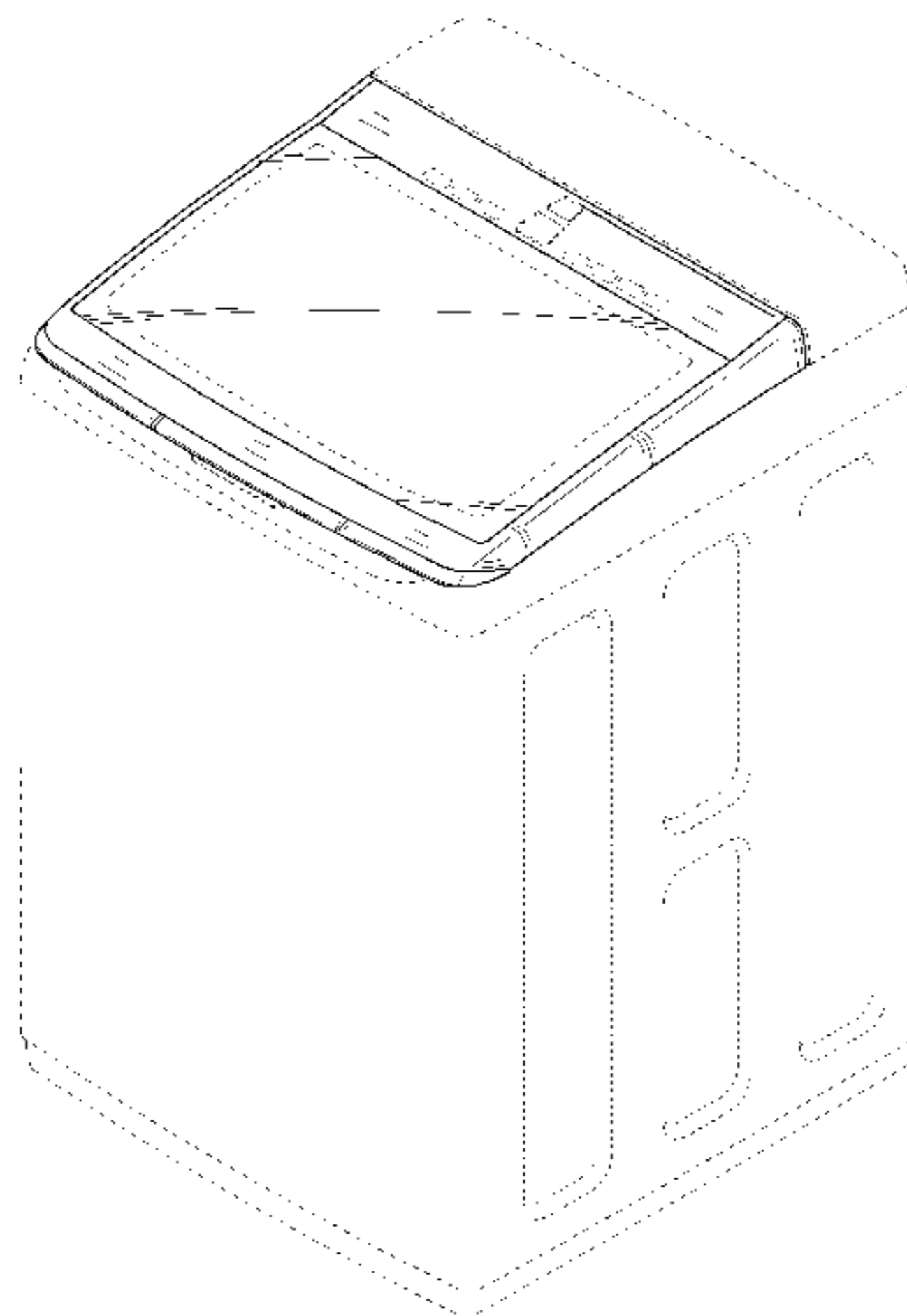
FIG. 1 is a front perspective view of a door for washing machine showing our new design;
FIG. 2 is a front view thereof;
FIG. 3 is a rear view thereof;
FIG. 4 is a left-side view thereof;
FIG. 5 is a right-side view thereof;
FIG. 6 is a top view thereof;
FIG. 7 is a bottom view thereof; and,
FIG. 8 is another perspective view thereof in which a washing machine in broken lines is provided to illustrate an example environment.
The broken lines in the figures are for environmental purposes only and form no part of the claimed design.

(56) **References Cited**

U.S. PATENT DOCUMENTS

D422,387 S 4/2000 Mutoh et al.
D648,084 S * 11/2011 Browne D32/28
D697,680 S * 1/2014 Hwang D32/25
D699,907 S * 2/2014 Choi D32/28
D704,907 S 5/2014 Yoo et al.
D711,605 S * 8/2014 Jo D32/25
8,800,325 B2 * 8/2014 Chung D06F 37/12
134/200

1 Claim, 8 Drawing Sheets



US D772,504 S

Page 2

(56)

References Cited

U.S. PATENT DOCUMENTS

2015/0247274 A1*	9/2015	Kim	D06F 39/08 68/27
2016/0160422 A1*	6/2016	Lee	D06F 37/42 312/326
2015/0123521 A1*	5/2015	Lee	D06F 39/14 312/228

* cited by examiner

FIG. 1

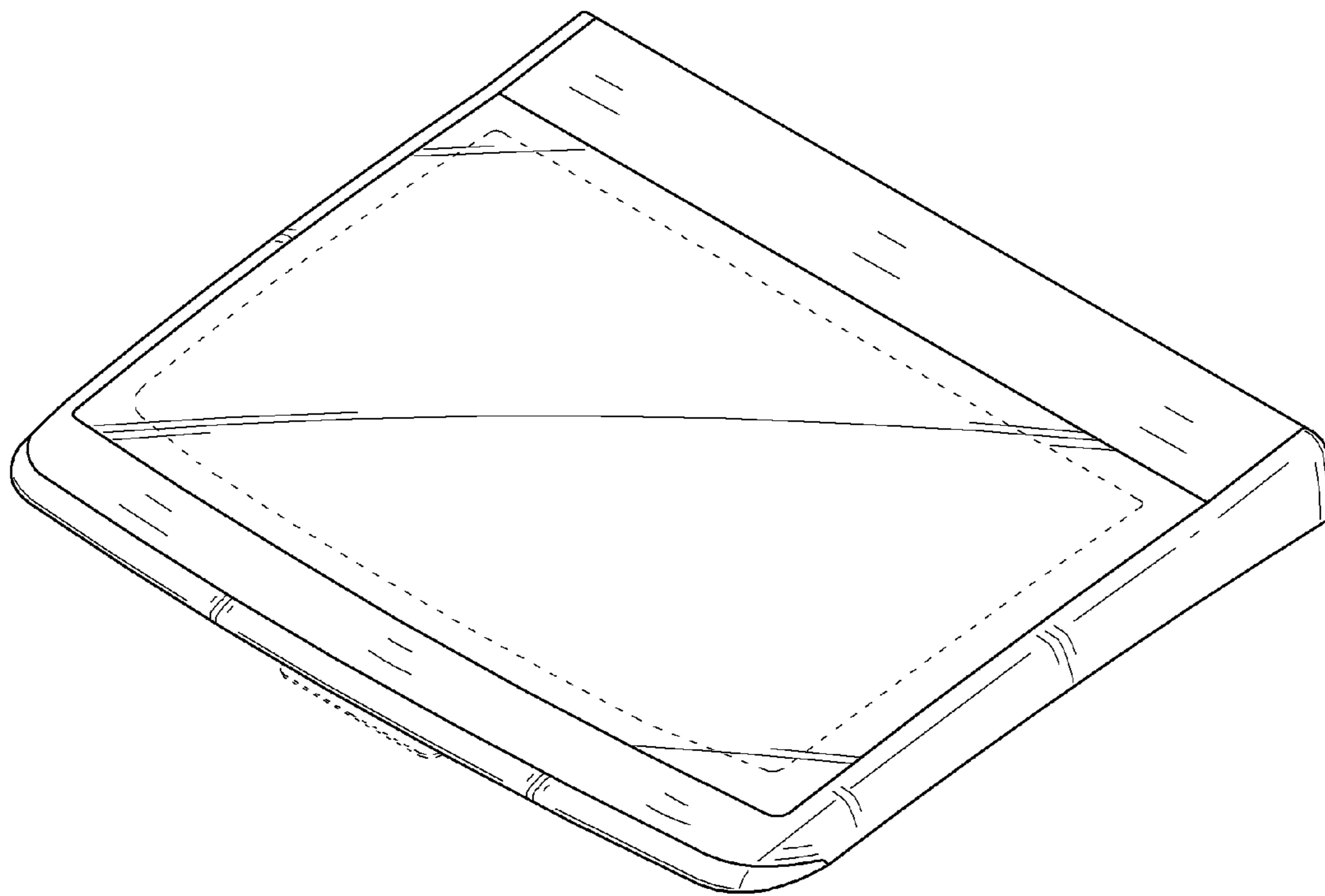


FIG. 2

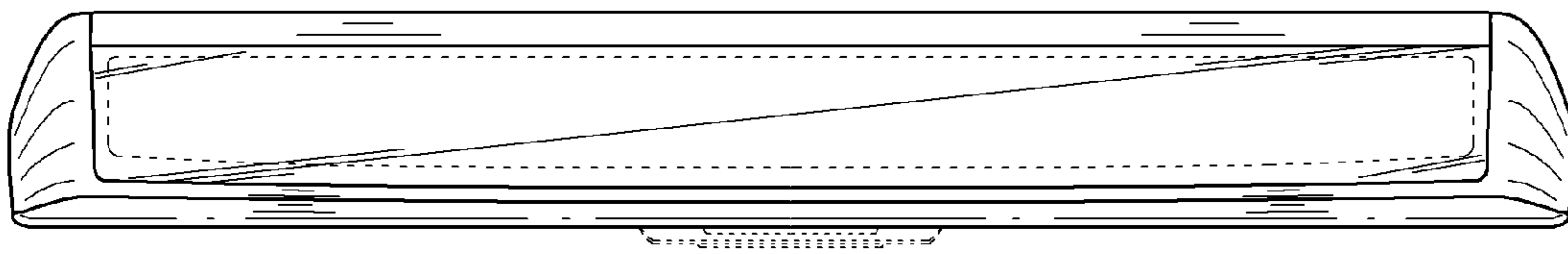


FIG. 3

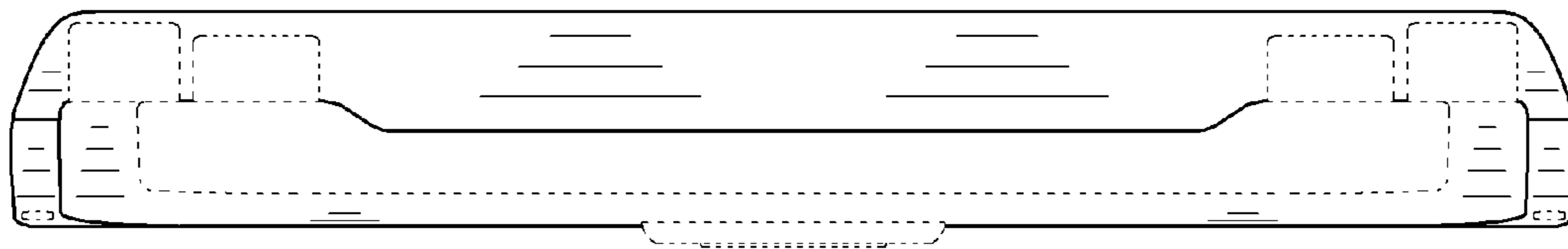


FIG. 4

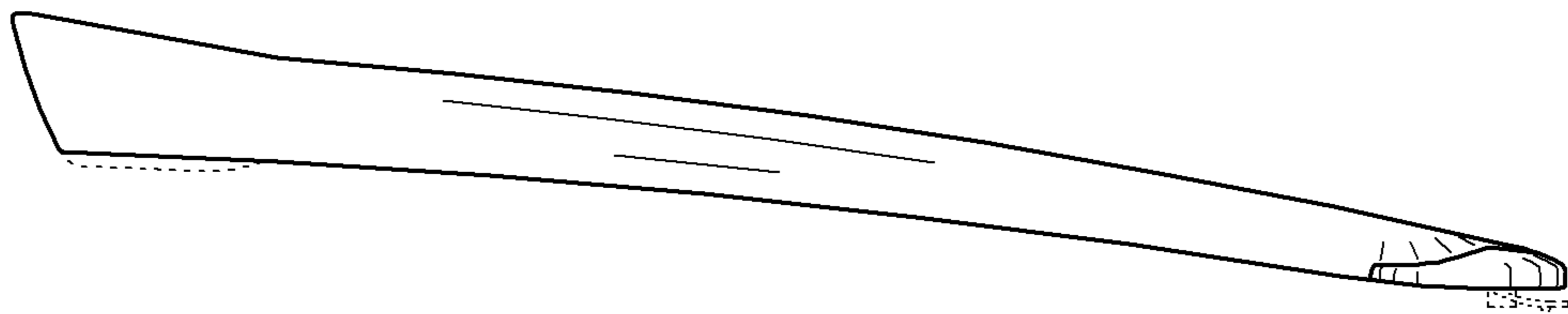


FIG. 5

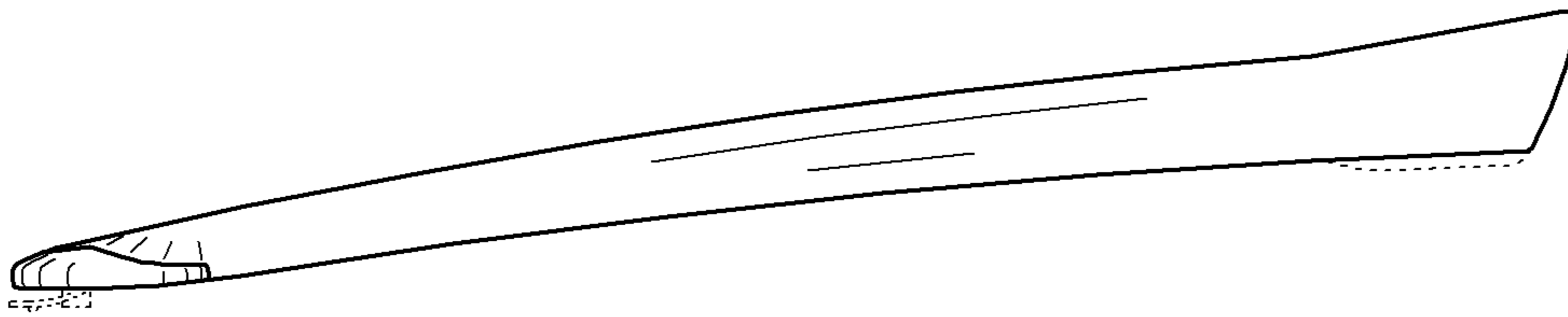


FIG. 6

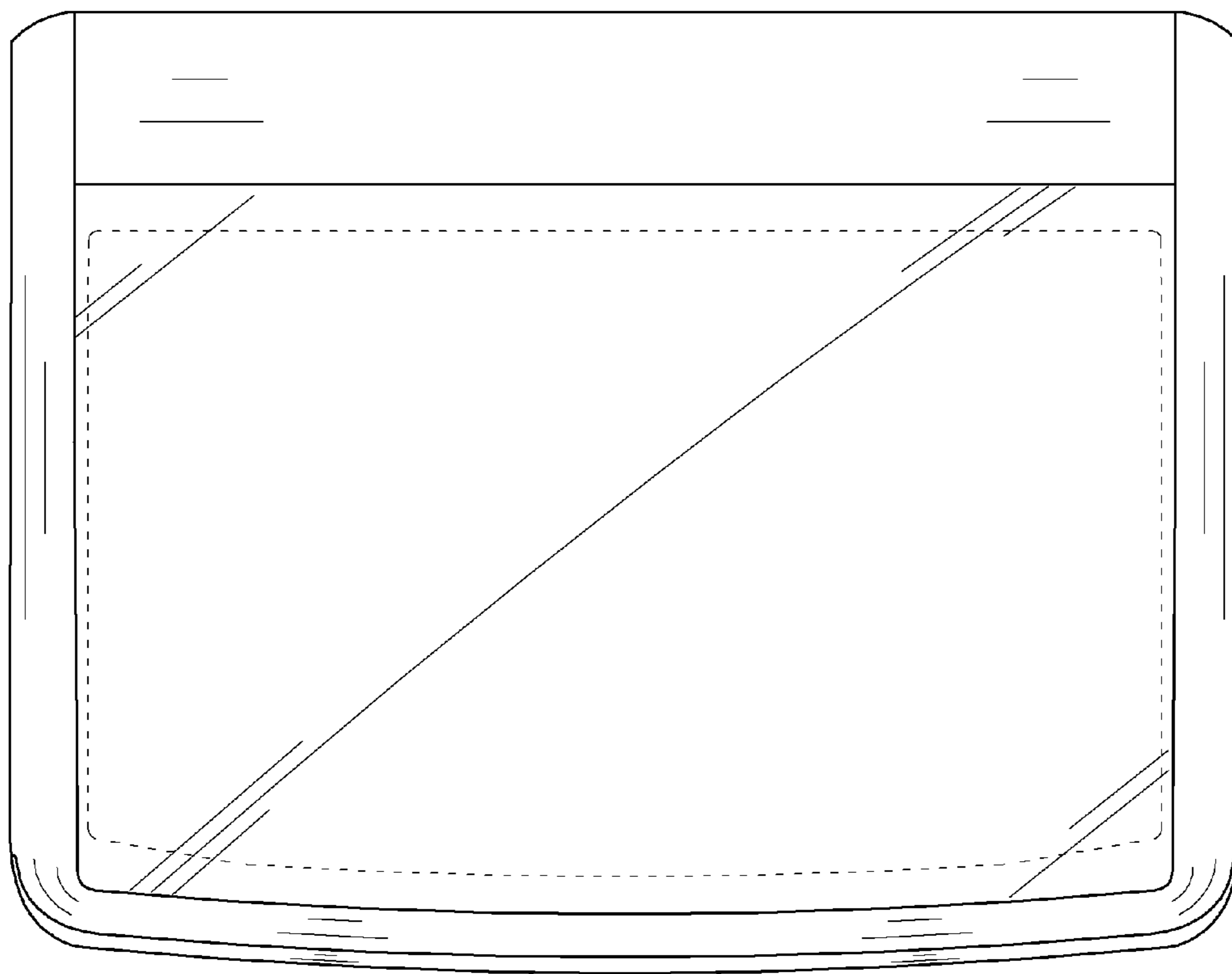


FIG. 7

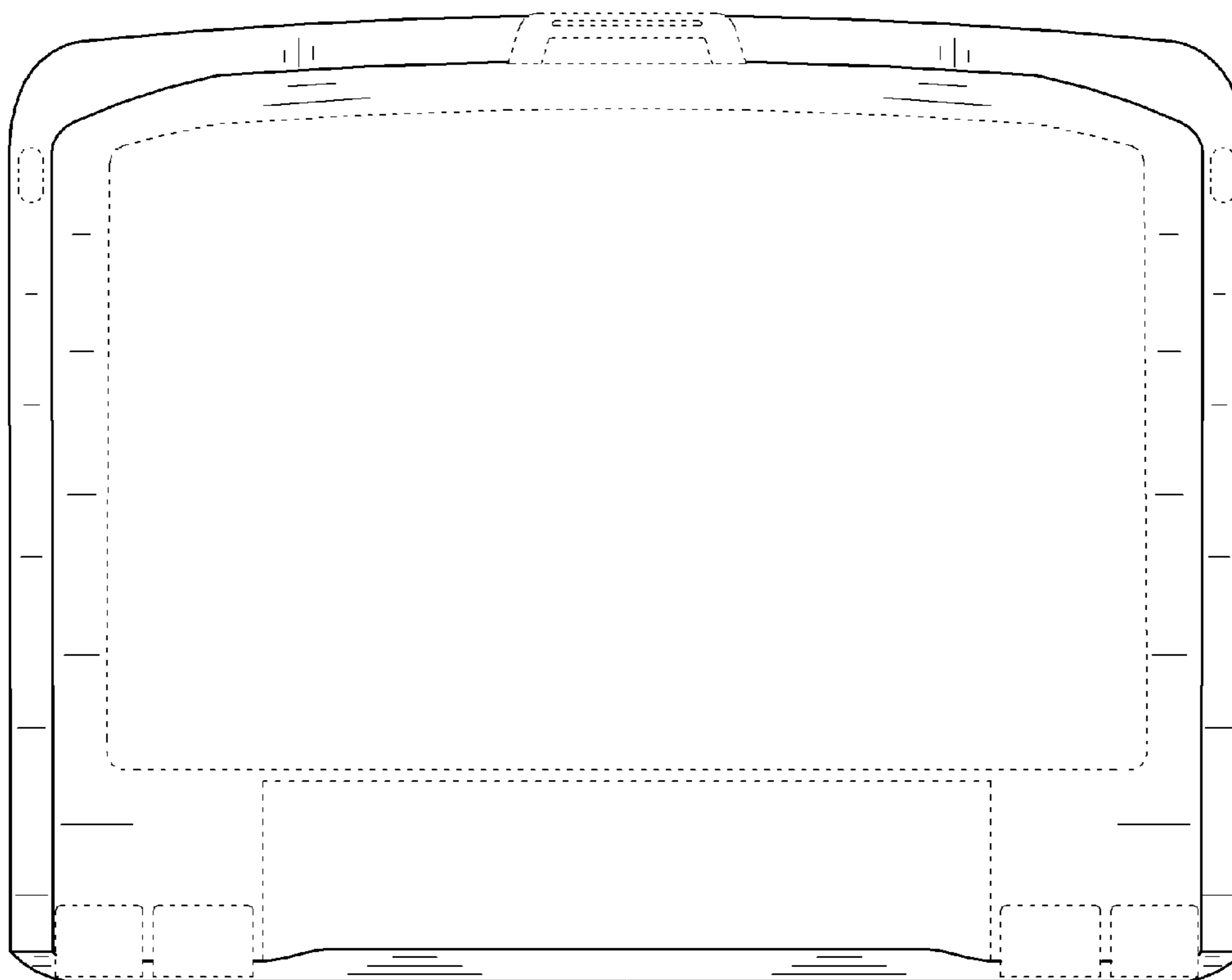


FIG. 8

