



US00D772495S

(12) **United States Design Patent**
Son et al.

(10) **Patent No.:** **US D772,495 S**
(45) **Date of Patent:** **** Nov. 22, 2016**

(54) **CLOTHES DRYER**

D699,907 S * 2/2014 Choi D32/28
D701,656 S * 3/2014 Choi D32/6
D739,096 S * 9/2015 Qin D32/6

(71) Applicant: **LG Electronics Inc.**, Seoul (KR)

* cited by examiner

(72) Inventors: **Ne Rry Son**, Seoul (KR); **Ho Il Jeon**,
Seoul (KR)

Primary Examiner — Susan Bennett Hattan

Assistant Examiner — Rebecca Tsehaye

(73) Assignee: **LG Electronics Inc.**, Seoul (KR)

(74) *Attorney, Agent, or Firm* — Morgan, Lewis &
Bockius LLP

(**) Term: **14 Years**

(21) Appl. No.: **29/514,077**

(57) **CLAIM**

We claim the ornamental design for a clothes dryer, as shown and described.

(22) Filed: **Jan. 8, 2015**

DESCRIPTION

(30) **Foreign Application Priority Data**

Aug. 5, 2014 (KR) 30-2014-0038326

(51) **LOC (10) Cl.** **15-05**

(52) **U.S. Cl.**
USPC **D32/6**

(58) **Field of Classification Search**
USPC D32/6, 8, 5, 10, 1, 25, 28
CPC D06F 58/00; D06F 58/16; D06F 58/18;
D06F 58/20; D06F 58/22; D06F 58/24;
D06F 58/26; D06F 58/203; D06F 59/00;
D06F 59/02; D06F 59/08; F04D 25/00
See application file for complete search history.

FIG. 1 is a perspective view of a clothes dryer showing our new design;
FIG. 2 is a front elevation view thereof;
FIG. 3 is a rear elevation view thereof;
FIG. 4 is a left-side elevation view thereof;
FIG. 5 is a right-side elevation view thereof;
FIG. 6 is a top plan view thereof;
FIG. 7 is a bottom plan view thereof;
FIG. 8 is a perspective view showing a state in which a top cover halfway opened;
FIG. 9 is a top plan view showing a state in which the top cover halfway opened;
FIG. 10 is a perspective view showing a state in which the top cover fully closed; and,
FIG. 11 is a top plan view showing a state in which the top cover fully closed.

(56) **References Cited**

U.S. PATENT DOCUMENTS

D654,640 S * 2/2012 Song D32/6
D694,965 S * 12/2013 Lee D32/6
8,607,471 B2 * 12/2013 Bae D06F 52/203
34/427
D697,680 S * 1/2014 Hwang D32/25

The broken lines in the drawing figures are included for the purpose of depicting portions of the clothes dryer and form no part of the claimed design.

1 Claim, 10 Drawing Sheets

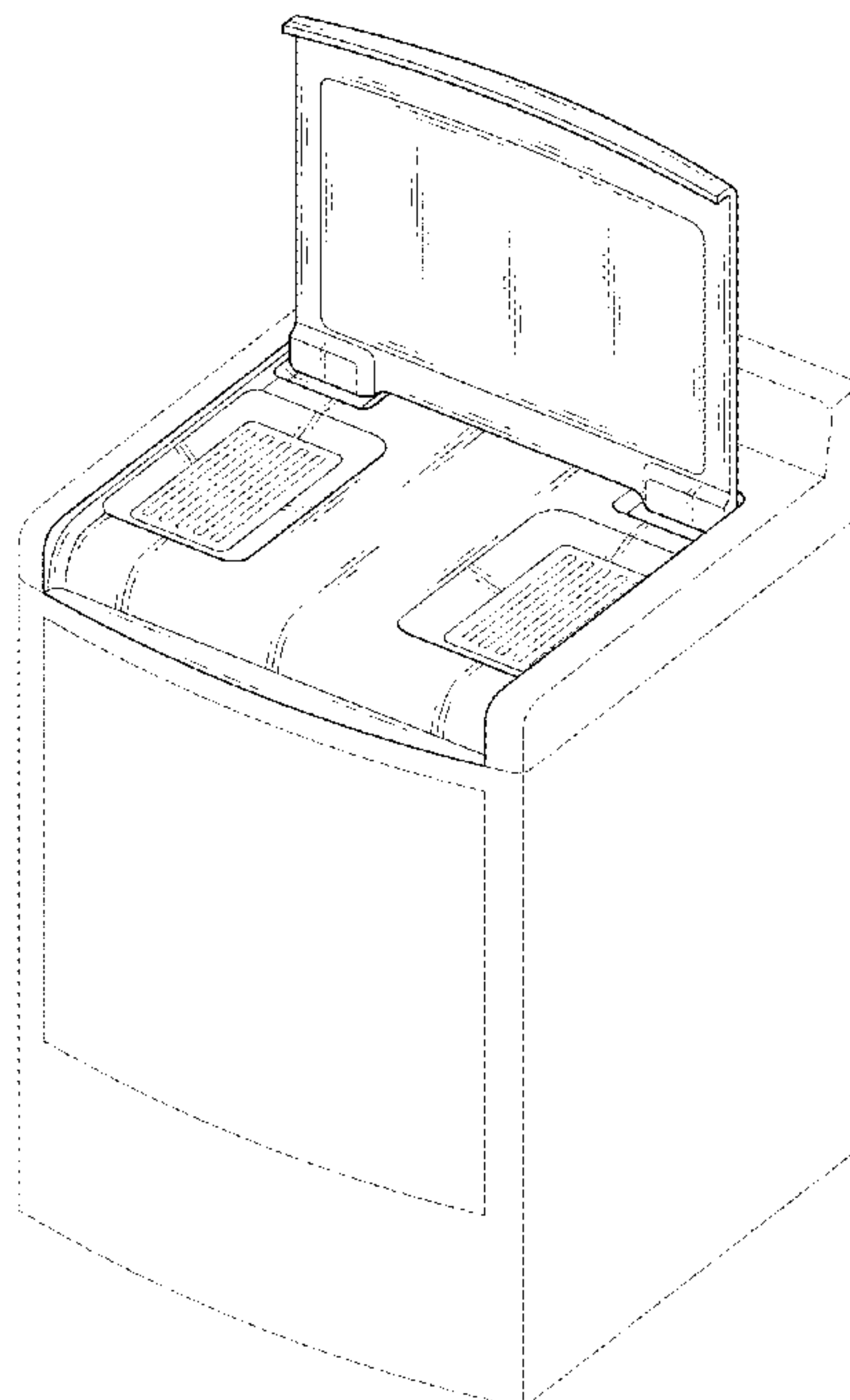


FIG. 1

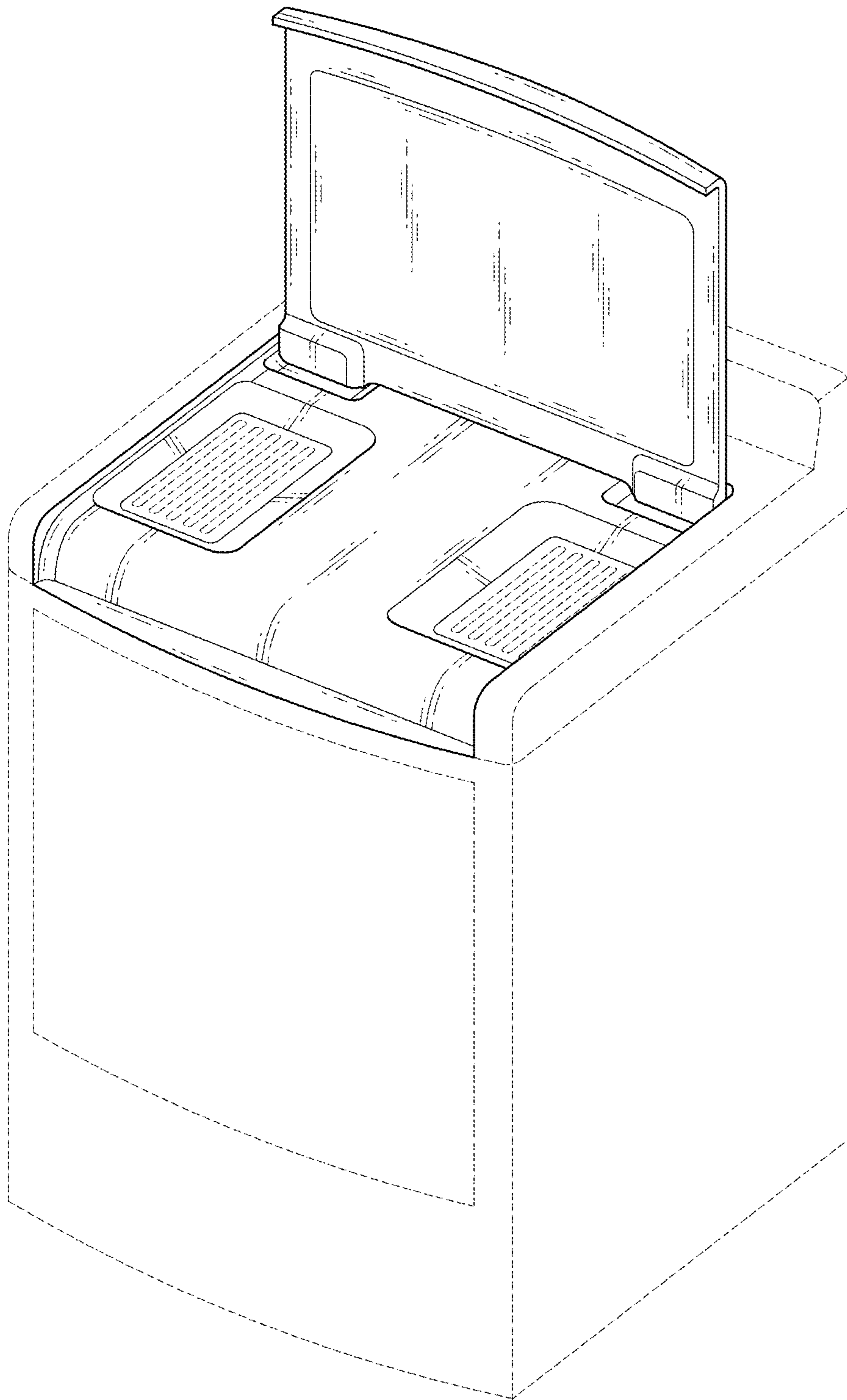


FIG. 2

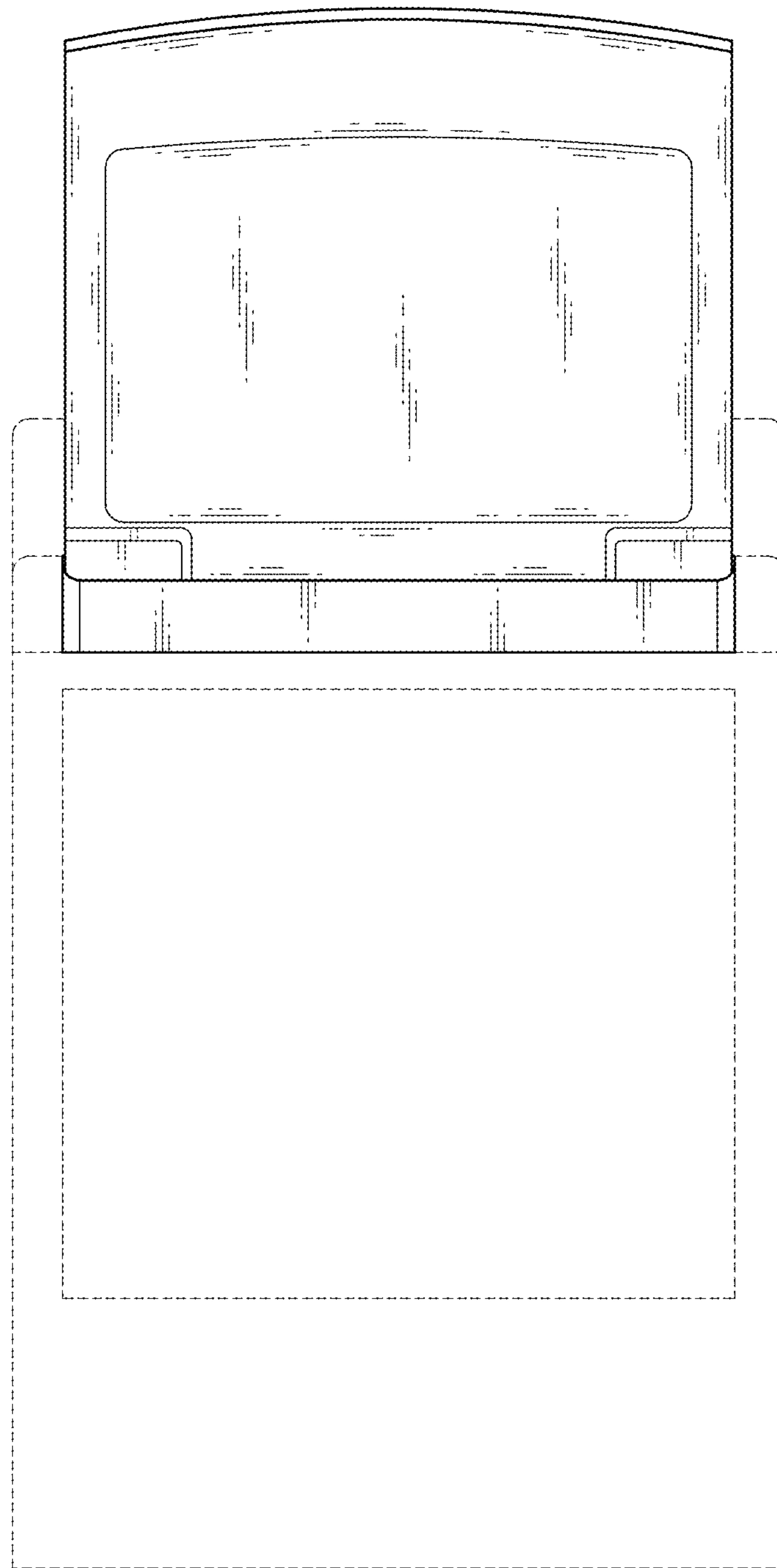


FIG. 3

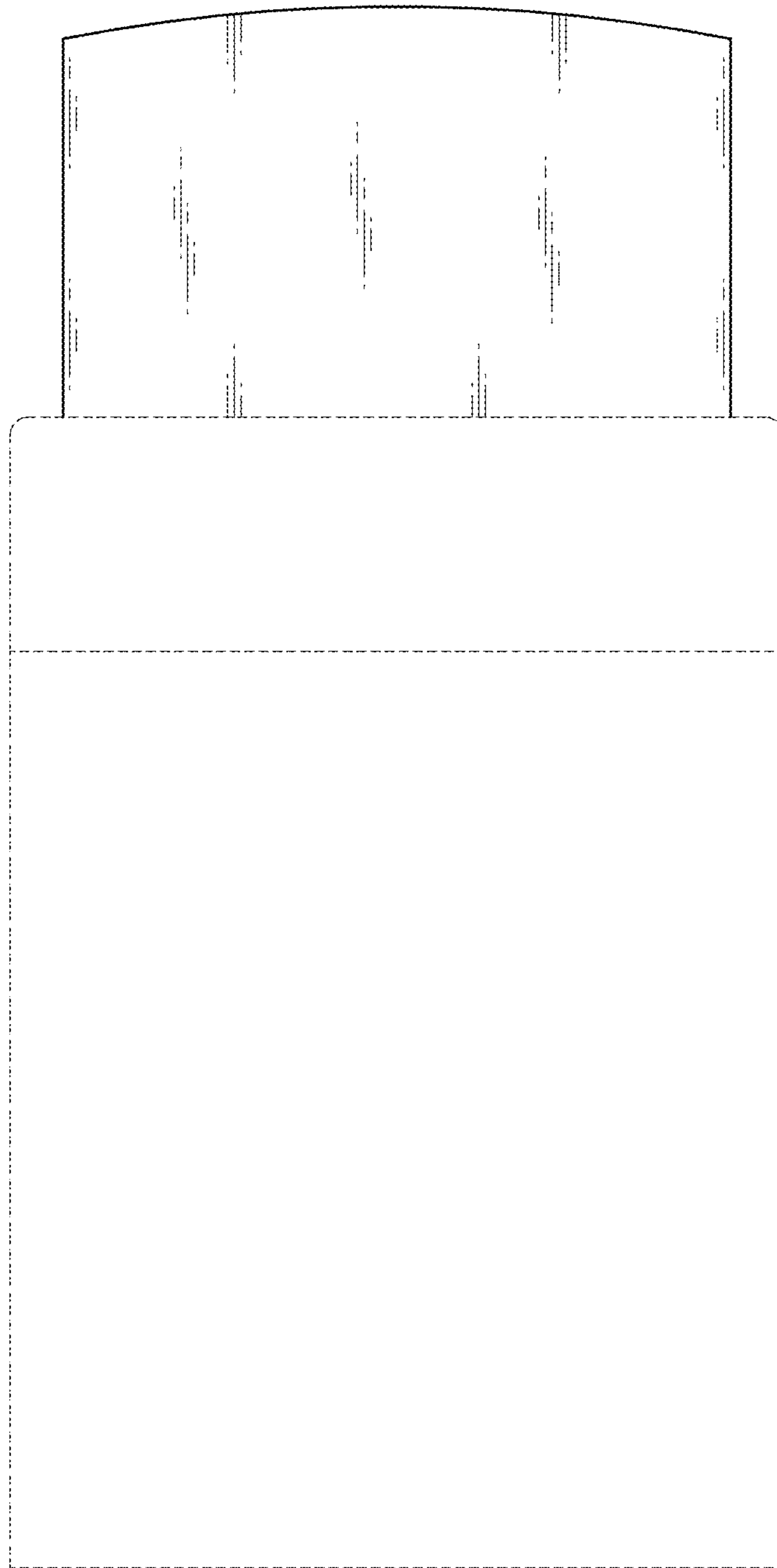


FIG. 4

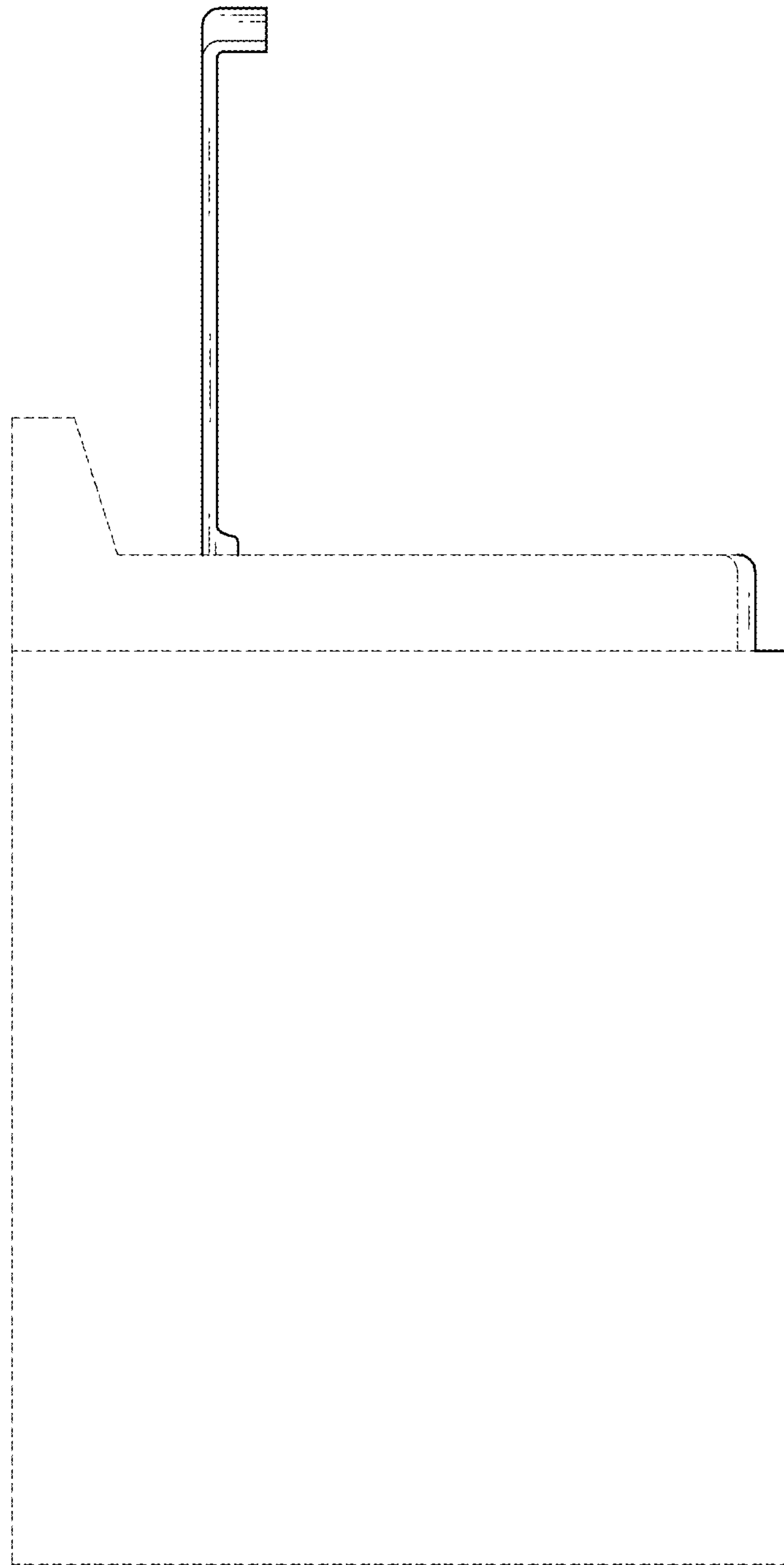


FIG. 5

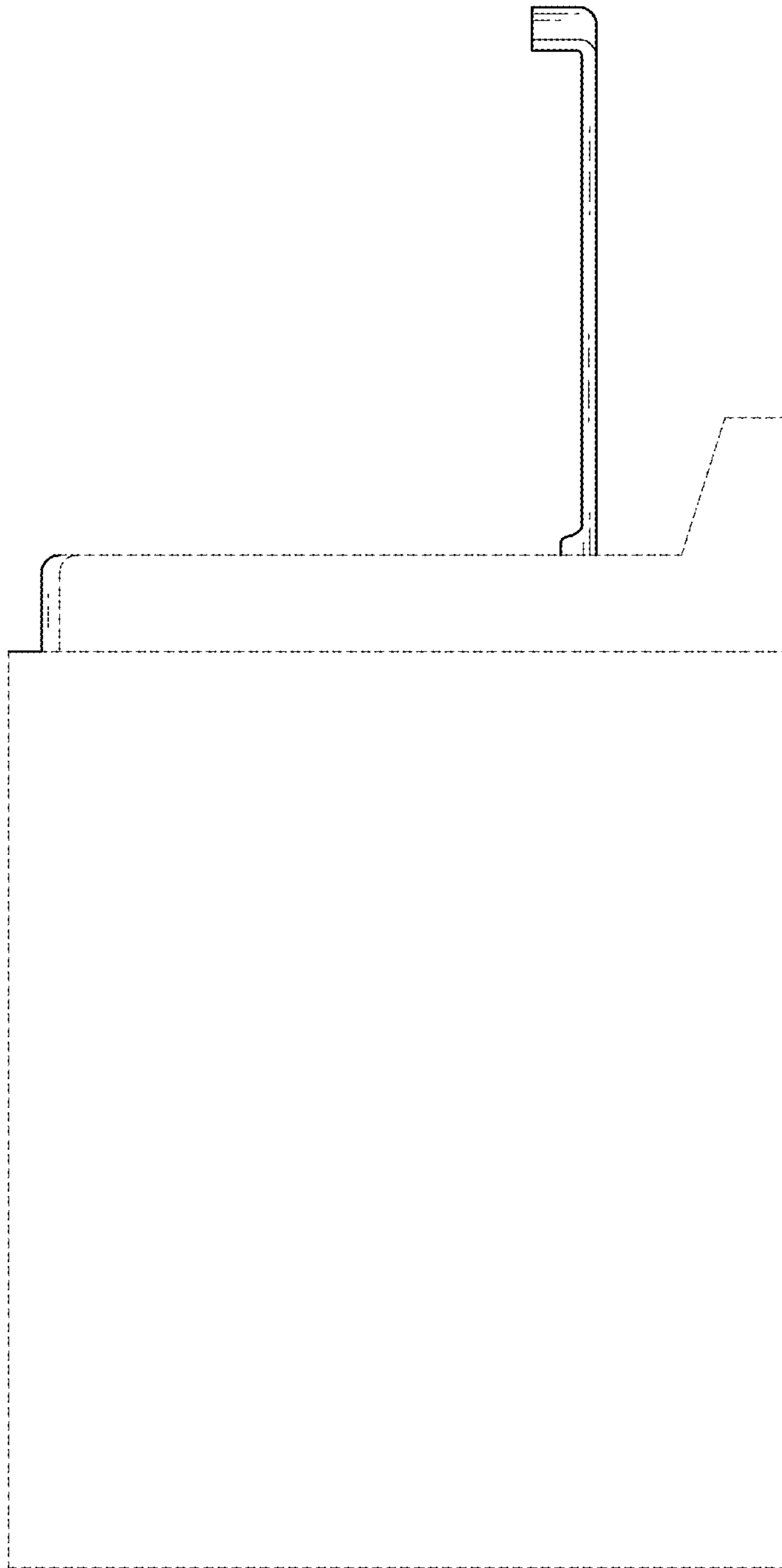


FIG. 6

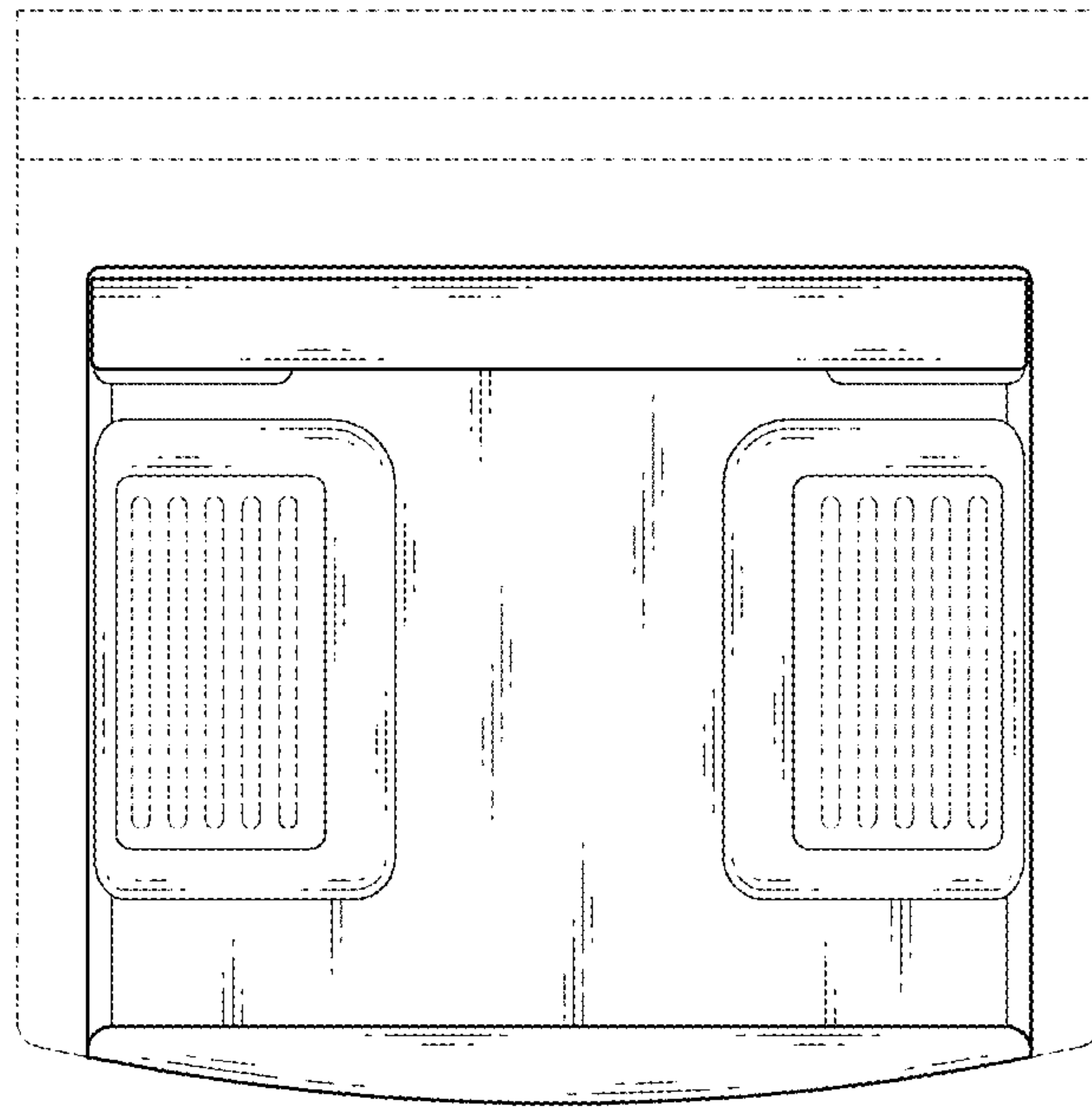


FIG. 7

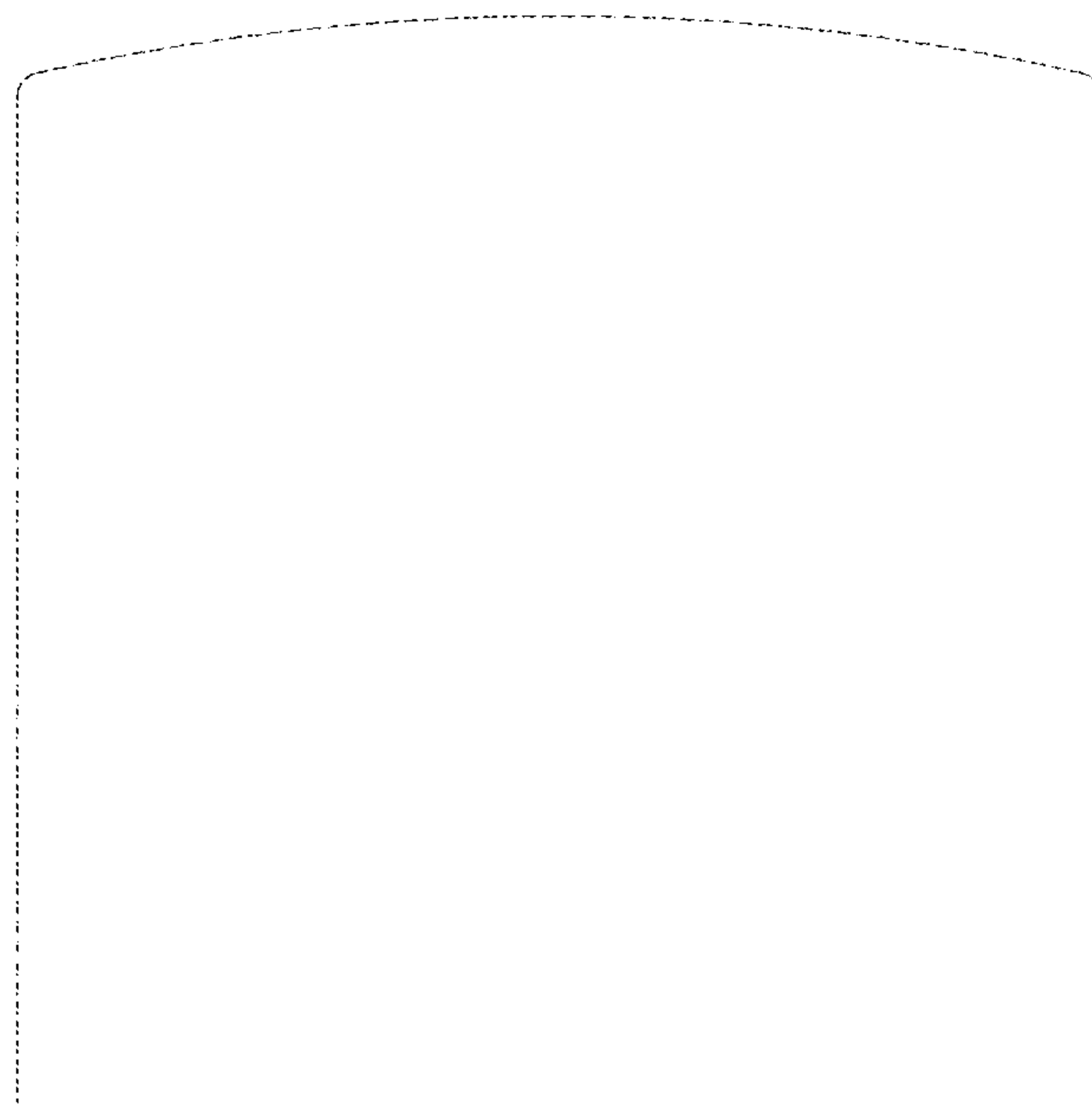


FIG. 8

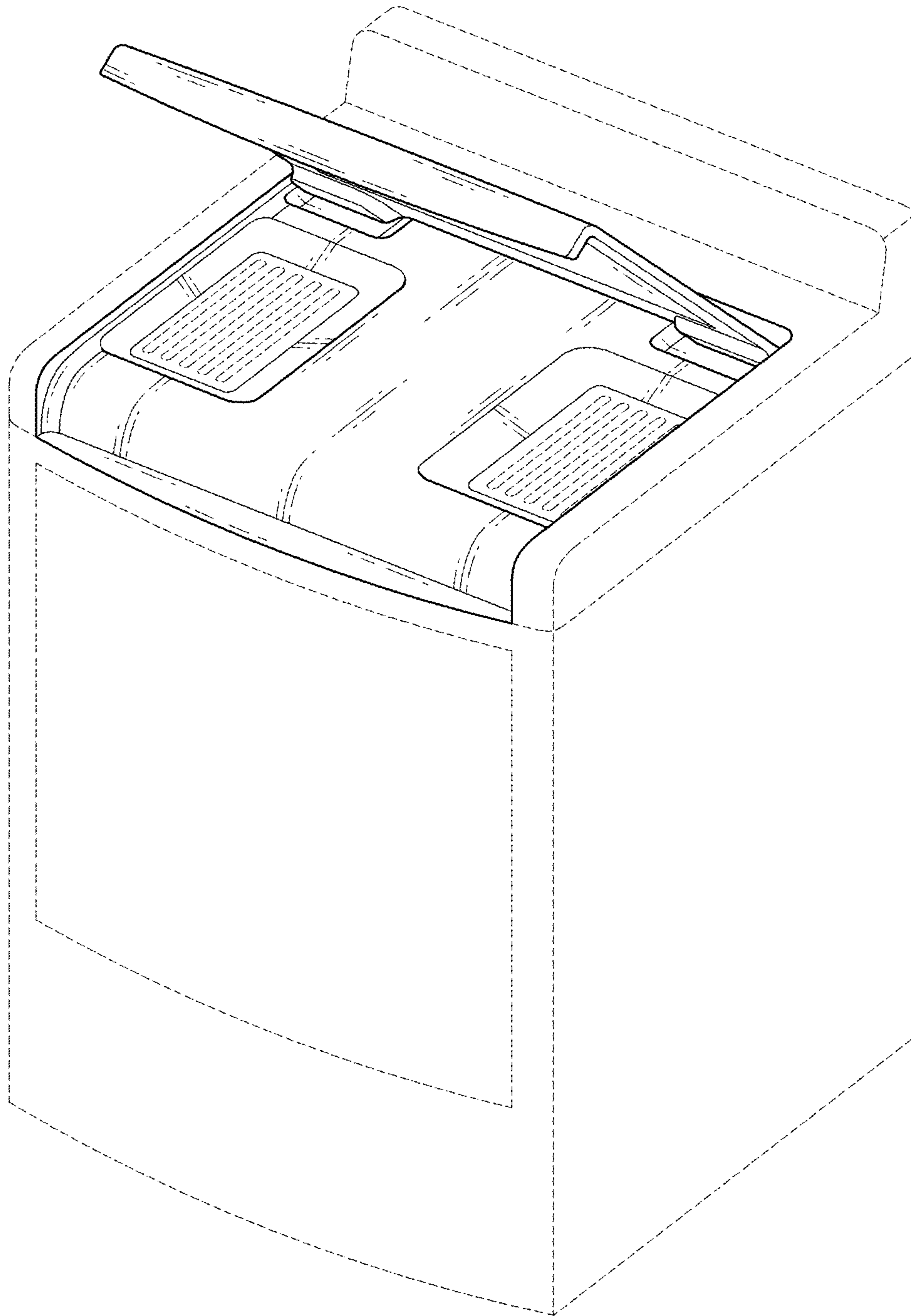


FIG. 9

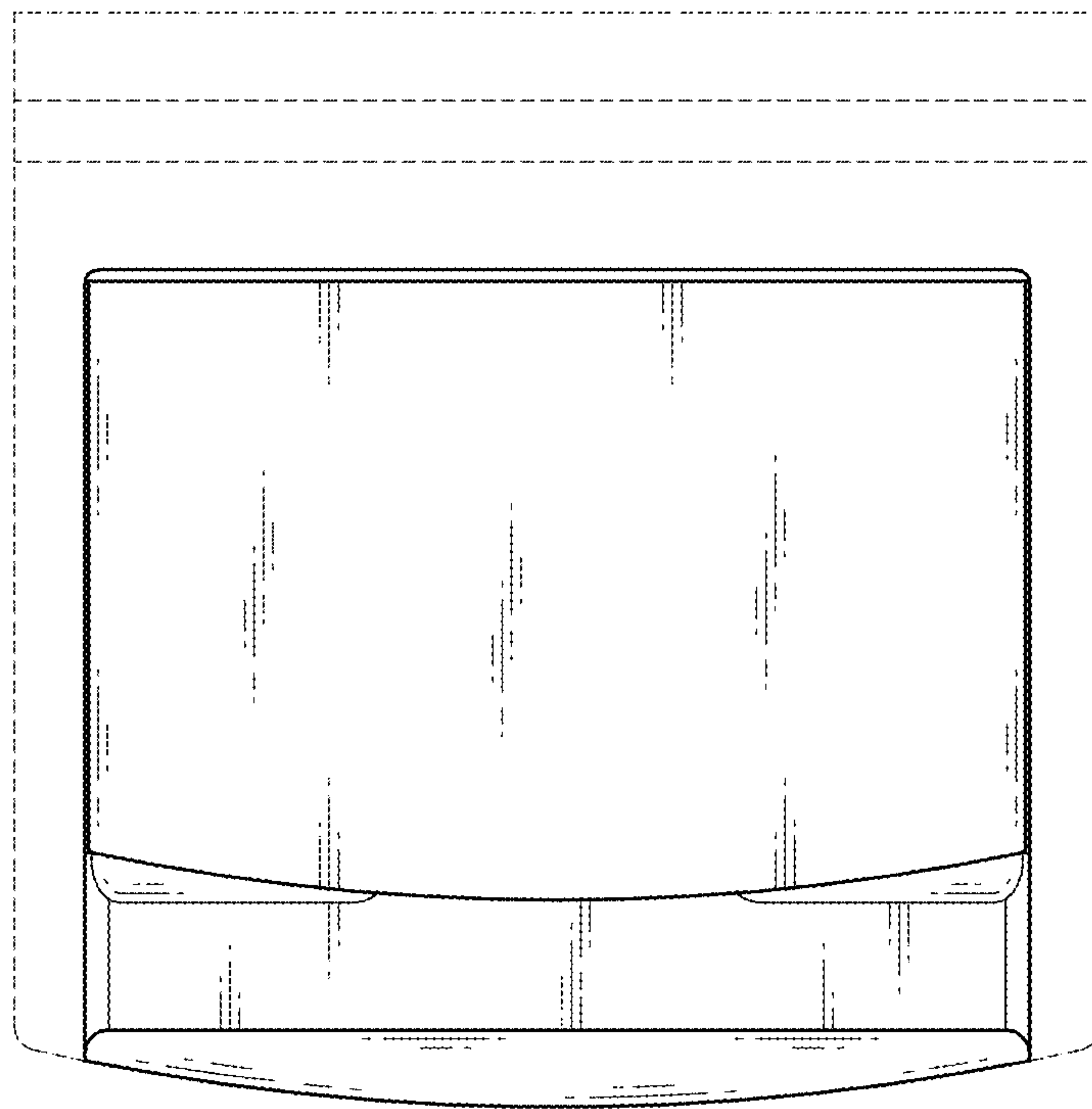


FIG. 10

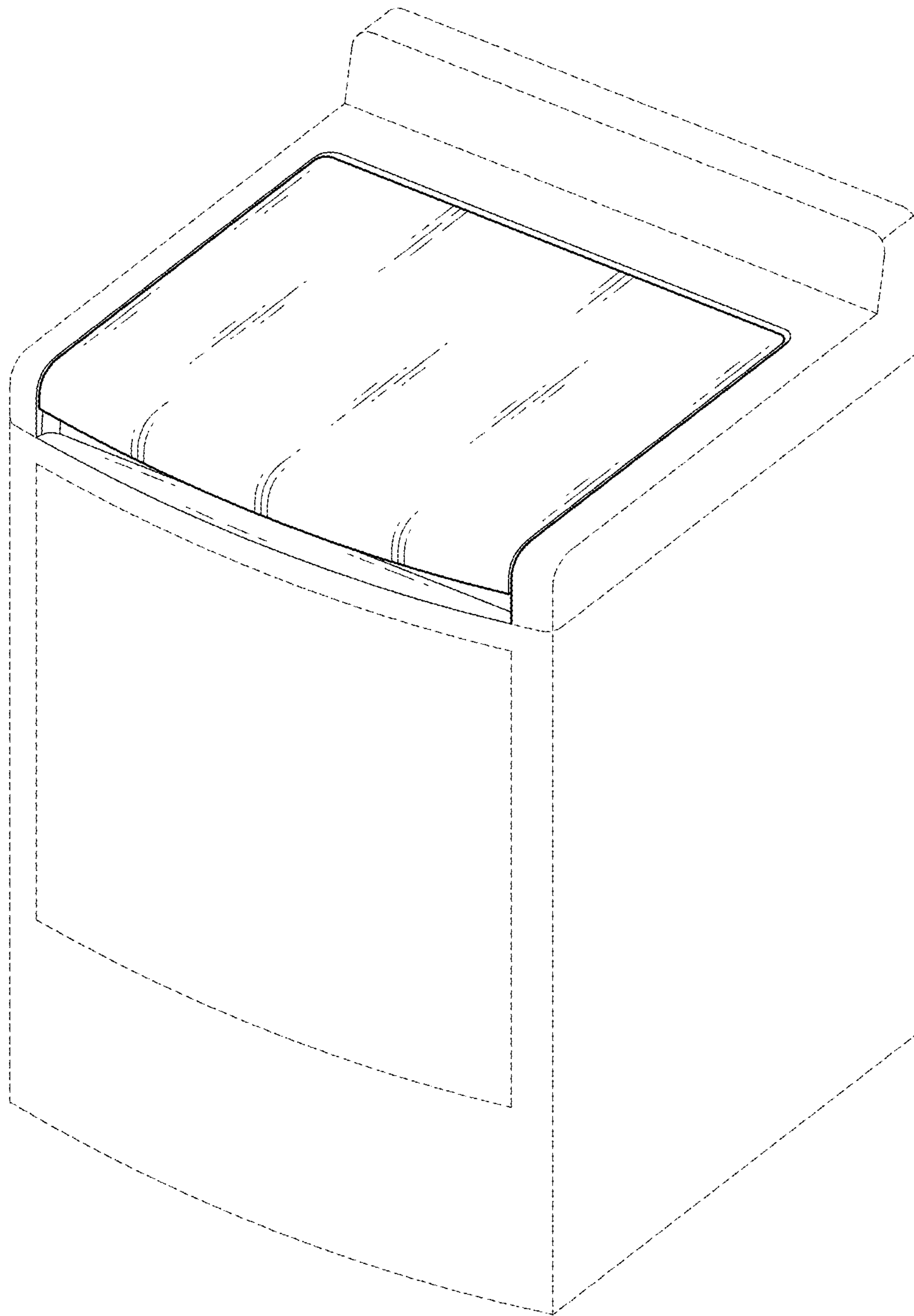


FIG. 11

