



US00D772494S

(12) **United States Design Patent** (10) **Patent No.:** **US D772,494 S**
Wu (45) **Date of Patent:** **** Nov. 22, 2016**

(54) **PET FEEDER TILTED TABLE**
(71) Applicant: **Ying Wu**, Diamond Bar, CA (US)
(72) Inventor: **Ying Wu**, Diamond Bar, CA (US)
(73) Assignee: **Ying Wu**, La Puente, CA (US)
(**) Term: **15 Years**
(21) Appl. No.: **29/542,899**
(22) Filed: **Oct. 19, 2015**
(51) **LOC (10) Cl.** **30-03**
(52) **U.S. Cl.**
USPC **D30/133**
(58) **Field of Classification Search**
USPC D30/133, 121, 128, 130, 132; 119/52.1,
119/55, 61.5, 61.6, 61.57, 61.56, 484;
D6/480-485; 248/188, 133, 132, 130,
248/139, 158, 161, 157, 163.1; 312/204;
108/153.1-157
CPC A01K 5/00; A01K 5/01; A01K 5/0107;
A01K 5/0114; A01K 5/0121; A01K 5/0128;
A01K 5/0135; A01K 7/005; A01K 7/00;
A01K 1/10; A01K 1/0356; A01K 1/0135;
A01K 39/014; A01K 29/00; F16M 11/16;
F16M 11/06; F16M 2200/00; F16M 2200/08
See application file for complete search history.

(56) **References Cited**
U.S. PATENT DOCUMENTS
D38,220 S * 9/1906 Beach 248/111
1,505,299 A * 8/1924 Stim A47J 36/24
126/216
1,855,314 A * 4/1932 Schacht A01K 5/01
119/51.5
2,588,596 A * 3/1952 Weber A01G 9/00
211/75
2,723,037 A * 11/1955 Matesic A47B 13/16
108/44
D178,037 S * 6/1956 Cimo D11/144
2,845,896 A * 8/1958 Copeland A01K 5/0114
119/51.01
D185,809 S * 8/1959 Myers et al. D7/708

2,903,311 A * 9/1959 Earhart A47G 23/06
108/34
2,926,828 A * 3/1960 Kuddie B60N 3/101
211/75
D188,415 S * 7/1960 Scheurer 224/926
D201,984 S * 8/1965 Hervey D6/569
3,338,628 A * 8/1967 Evans A61G 5/10
108/47
D221,217 S * 7/1971 Beychok 206/558
D237,787 S * 11/1975 Weyrich, Jr. D30/133
3,939,986 A * 2/1976 Pierro B60N 3/103
108/44
4,065,195 A * 12/1977 Fahmie A01K 5/0114
119/61.56
D248,909 S * 8/1978 Frazian D12/420
D251,881 S * 5/1979 Shirley D6/527
4,176,819 A * 12/1979 Lowe A01K 97/10
248/513
D256,637 S * 9/1980 Chiklis D6/571
D257,458 S * 10/1980 Benoit D6/531
D259,379 S * 6/1981 Eisenstat D7/701
D262,760 S * 1/1982 Adams D24/230
D263,784 S * 4/1982 Butler D27/126
D264,168 S * 5/1982 Teuber D7/624.1
D267,061 S * 11/1982 Thompson D6/535
D268,316 S * 3/1983 Shamoon D6/300

(Continued)

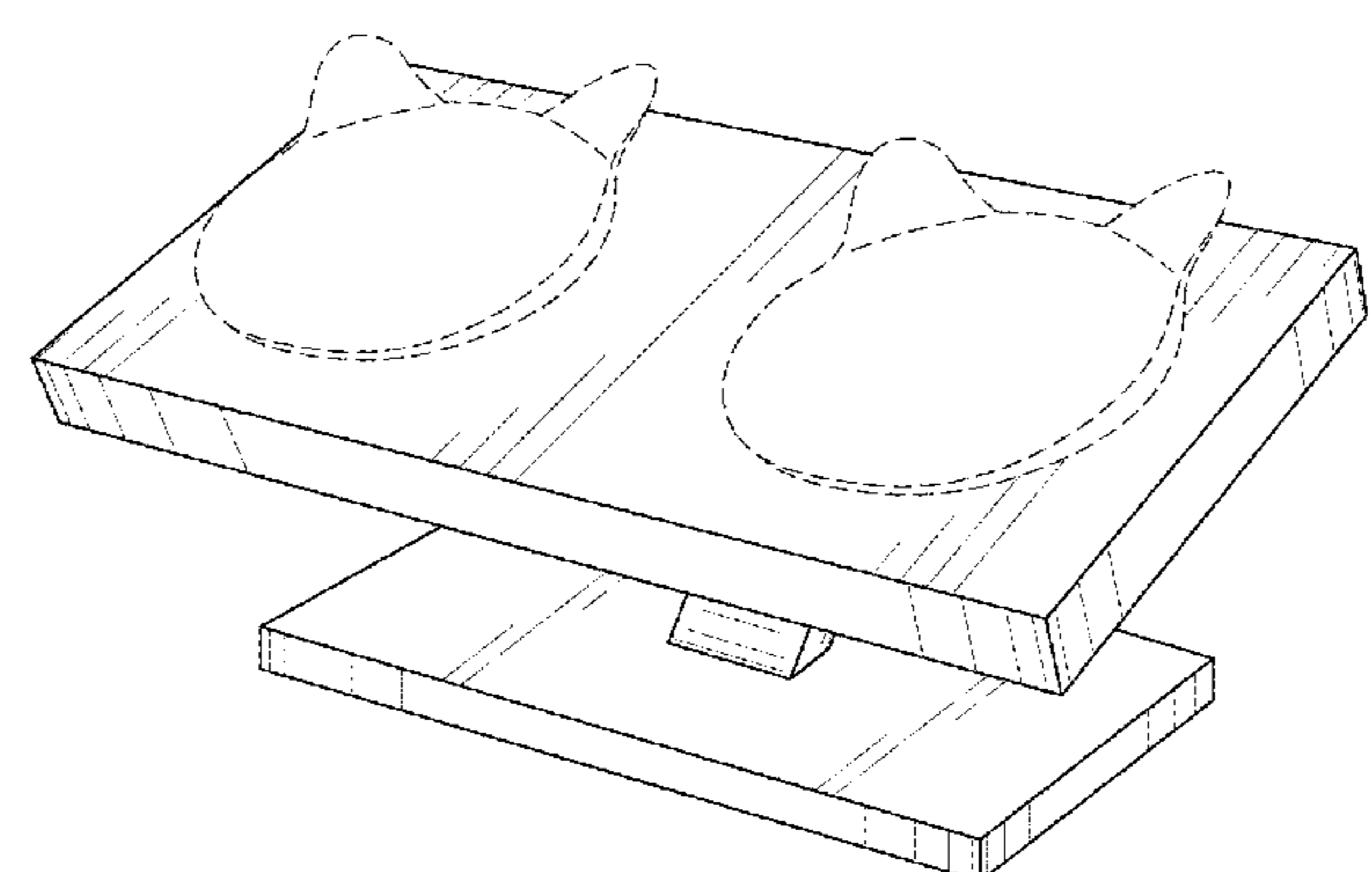
Primary Examiner — Susan Moon Lee
(74) *Attorney, Agent, or Firm* — Ying Wu

(57) **CLAIM**
The ornamental design for a pet feeder tilted table, as shown and described.

DESCRIPTION

FIG. 1 illustrates a perspective view of a pet feeder tilted table when in use;
FIG. 2 illustrates a perspective view of the pet feeder tilted table;
FIG. 3 illustrates a front view thereof;
FIG. 4 illustrates a rear view thereof;
FIG. 5 illustrates a right side view thereof;
FIG. 6 illustrates a left side view thereof;
FIG. 7 illustrates a top view thereof; and,
FIG. 8 illustrates a bottom view thereof.
The broken lines showing of a pet bowl in FIG. 1 is for illustrative purposes only and forms no part of the claimed design.

1 Claim, 8 Drawing Sheets



(56)

References Cited

U.S. PATENT DOCUMENTS

D277,149 S * 1/1985 Hind D6/535
 4,756,572 A * 7/1988 Dykstra B60N 3/102
 297/145
 4,798,360 A * 1/1989 Alter B60N 3/103
 248/151
 D300,290 S * 3/1989 Moberg D6/682.2
 4,901,989 A * 2/1990 Stellato B25H 1/00
 269/17
 D314,314 S * 2/1991 Shipman D7/708
 D322,512 S * 12/1991 Andrykovitz D12/420
 D323,447 S * 1/1992 Booz D7/705
 D323,767 S * 2/1992 Polski D7/620
 D324,192 S * 2/1992 Waltel, Jr. D11/164
 5,141,194 A * 8/1992 Burgess B60N 3/102
 248/150
 D331,174 S * 11/1992 Polski D7/621
 5,170,720 A * 12/1992 Scheurer B60N 3/002
 108/132
 D342,350 S * 12/1993 Gower D30/133
 5,379,978 A * 1/1995 Patel B60N 3/102
 224/281
 D359,862 S * 7/1995 Rousch D12/419
 5,501,176 A * 3/1996 Tully A01K 5/0114
 119/61.57
 D374,517 S * 10/1996 Morrill D30/133
 5,584,531 A * 12/1996 Bowman A47D 3/00
 108/25
 D379,570 S * 6/1997 Moon D6/574

5,743,504 A * 4/1998 Miller B60N 3/107
 224/42.38
 D397,278 S * 8/1998 Wang D7/701
 D406,715 S * 3/1999 Badillo D6/524
 D424,759 S * 5/2000 Sipka D30/130
 D425,262 S * 5/2000 Scott D30/130
 D458,092 S * 6/2002 Rumpf D6/574
 D499,029 S * 11/2004 Maarberg D10/46.3
 D506,295 S * 6/2005 Hammer 119/55
 6,945,502 B2 * 9/2005 Restifo A45F 3/44
 248/146
 D513,151 S * 12/2005 Currie D7/364
 7,658,267 B1 * 2/2010 Welsh B63C 11/22
 108/25
 7,938,083 B1 * 5/2011 Huether A01K 5/0114
 119/61.5
 D646,441 S * 10/2011 Chance D30/130
 8,201,794 B1 * 6/2012 Pesola A45F 3/44
 248/311.2
 D673,015 S * 12/2012 Durnell D7/702
 8,360,441 B2 * 1/2013 Caruso B62B 3/1472
 108/26
 D695,974 S * 12/2013 Young D30/130
 D711,672 S * 8/2014 Bayer D6/682.3
 9,226,478 B1 * 1/2016 Uhl A01K 5/0114
 2003/0106498 A1 * 6/2003 Mersits A01K 5/0142
 119/61.53
 2008/0190372 A1 * 8/2008 Horvath A01K 5/0135
 119/61.56
 2010/0162961 A1 * 7/2010 Hove A01K 5/0142
 119/51.5

* cited by examiner

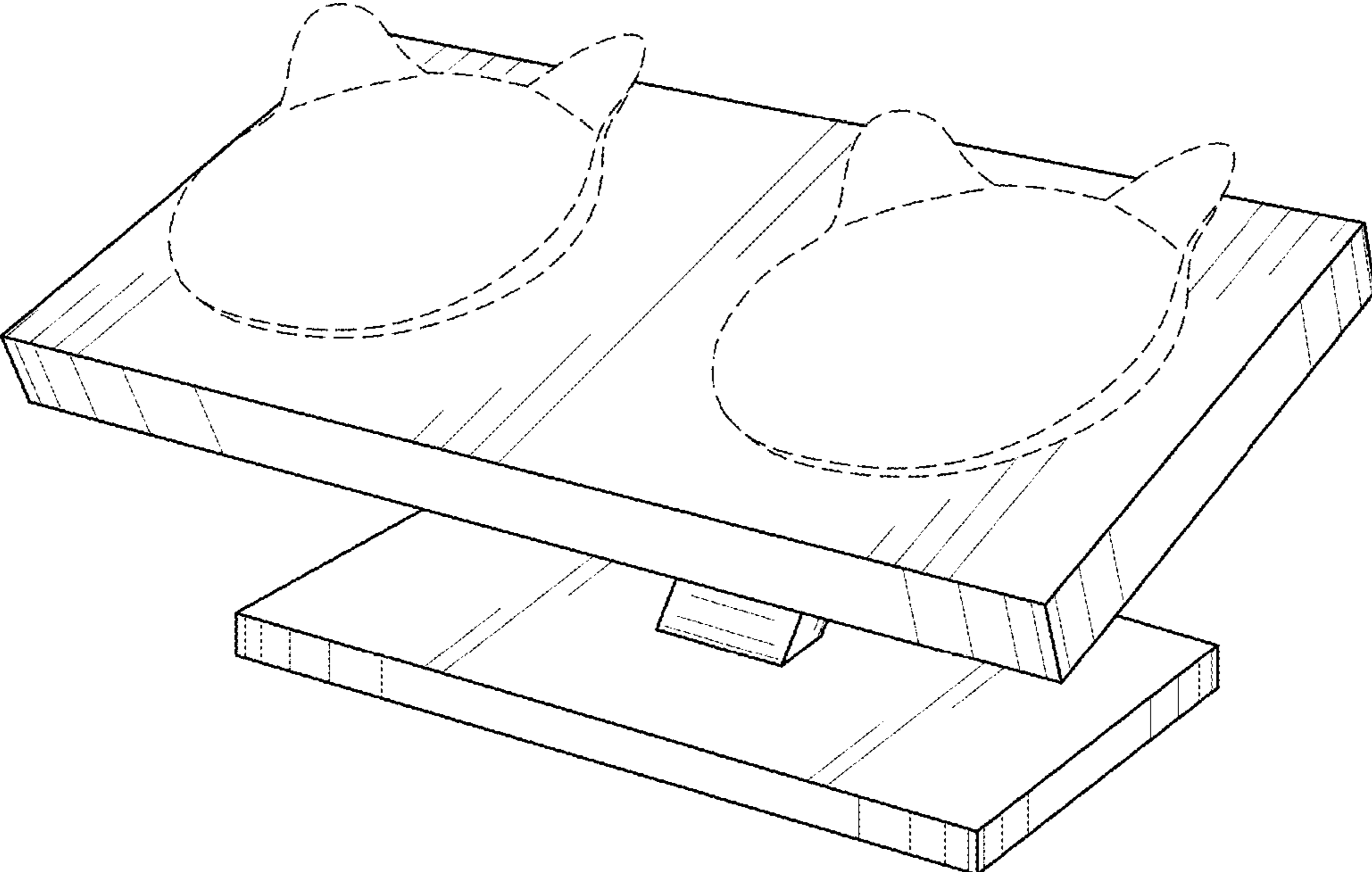


FIG. 1

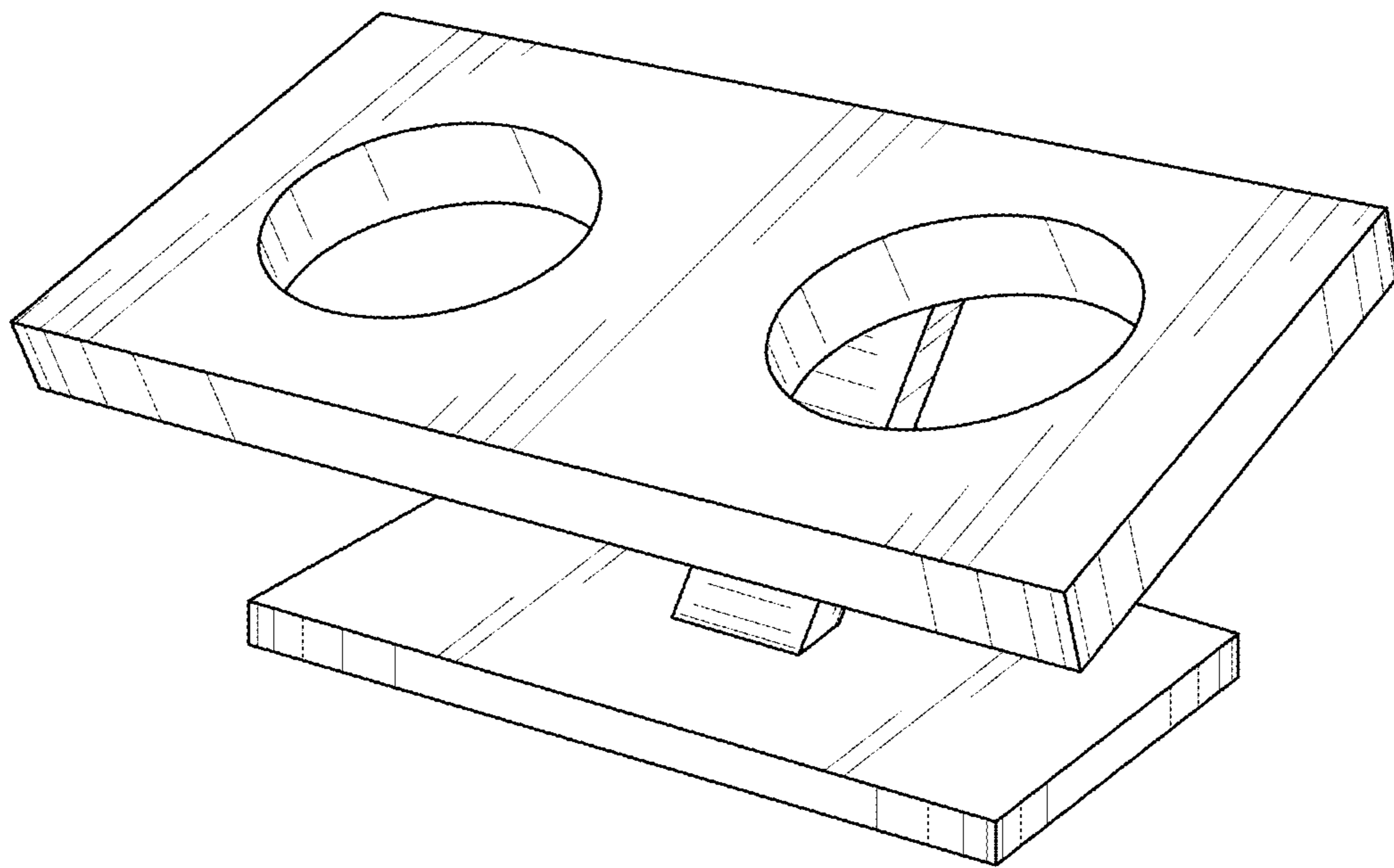


FIG. 2

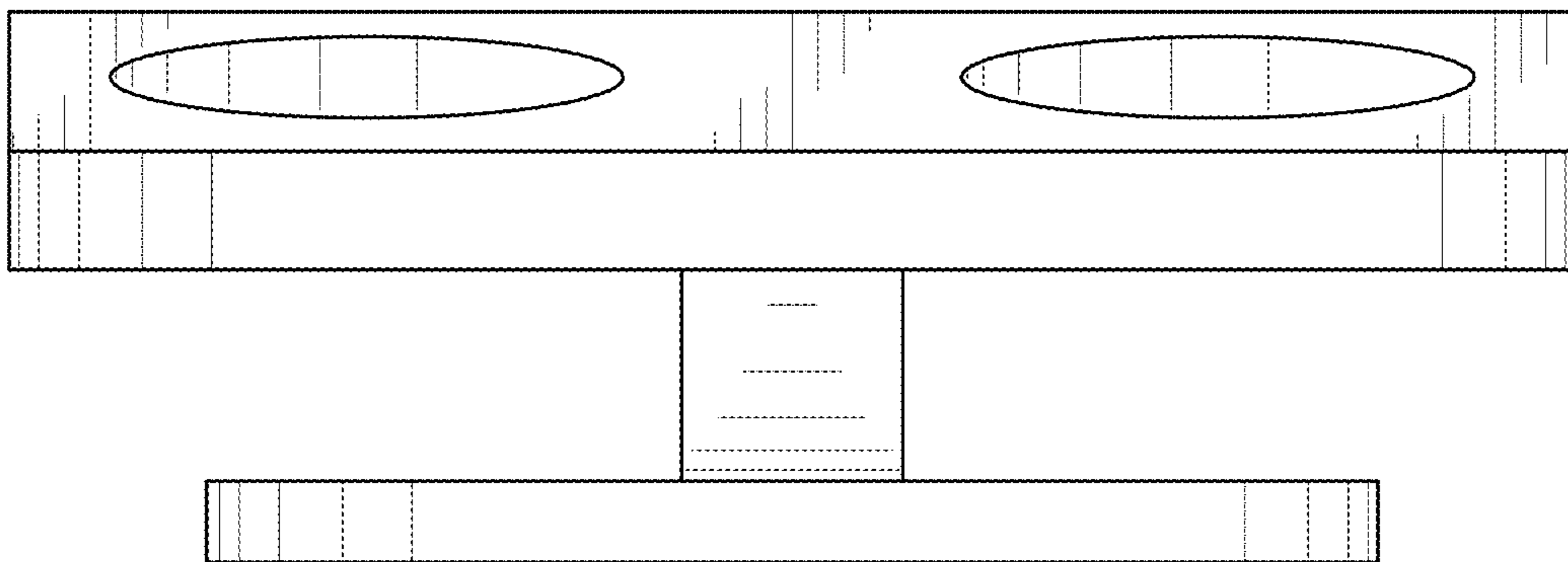


FIG. 3

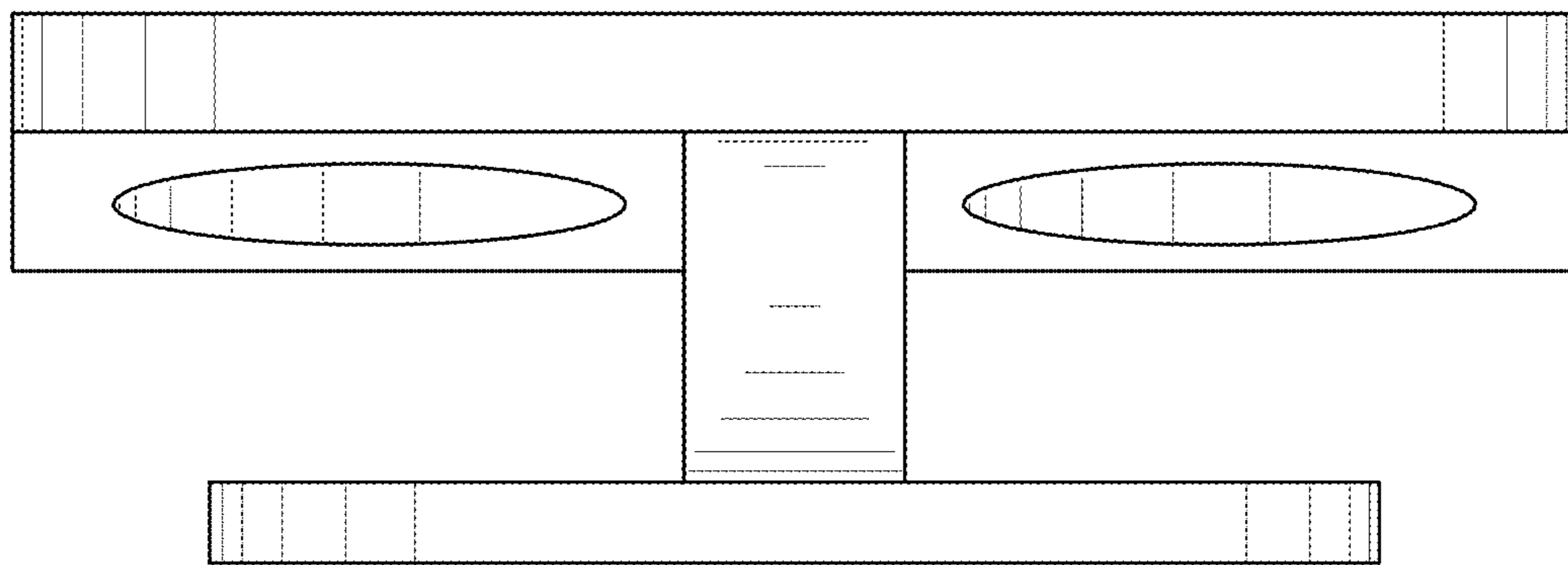


FIG. 4

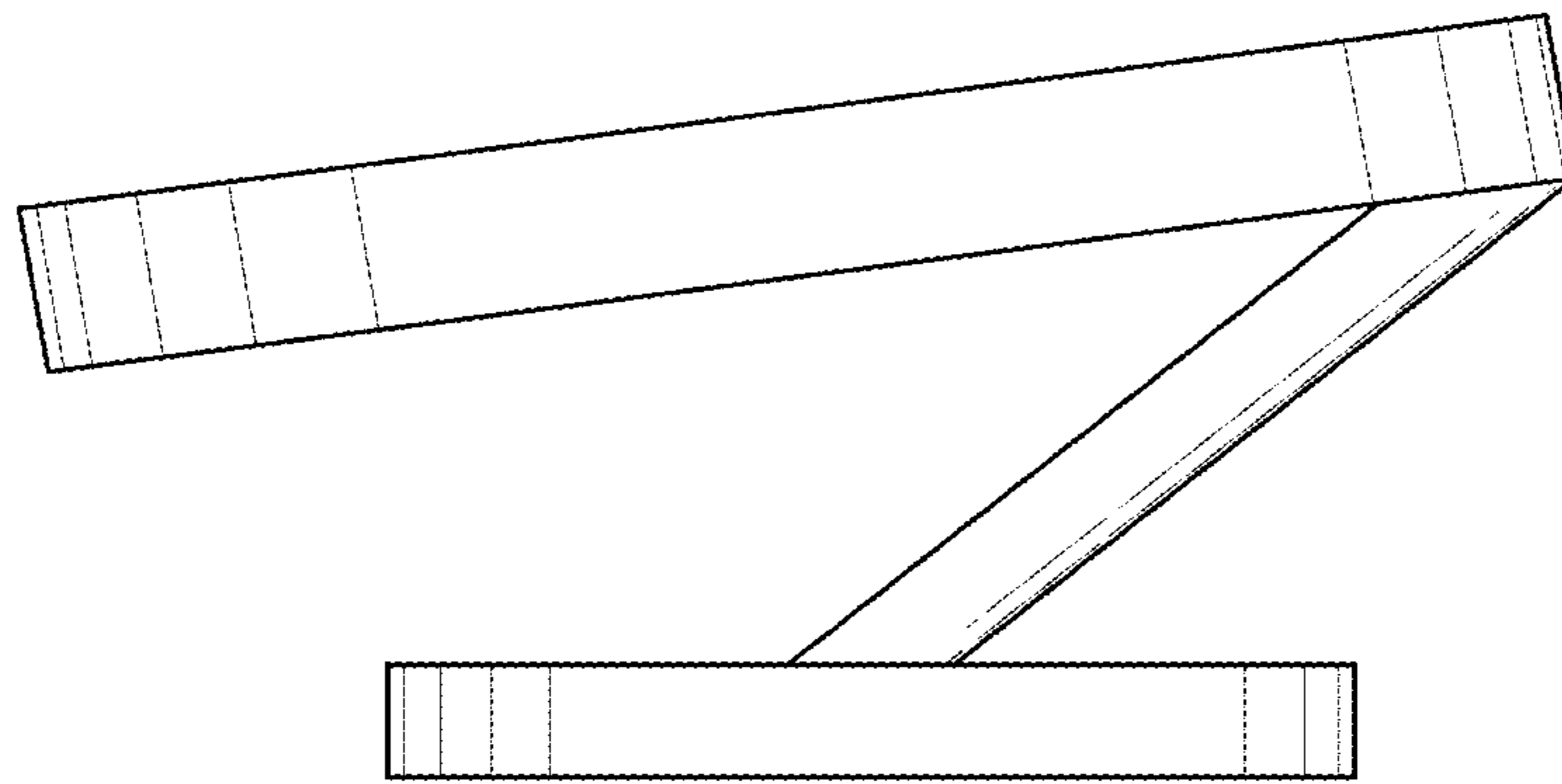


FIG. 5

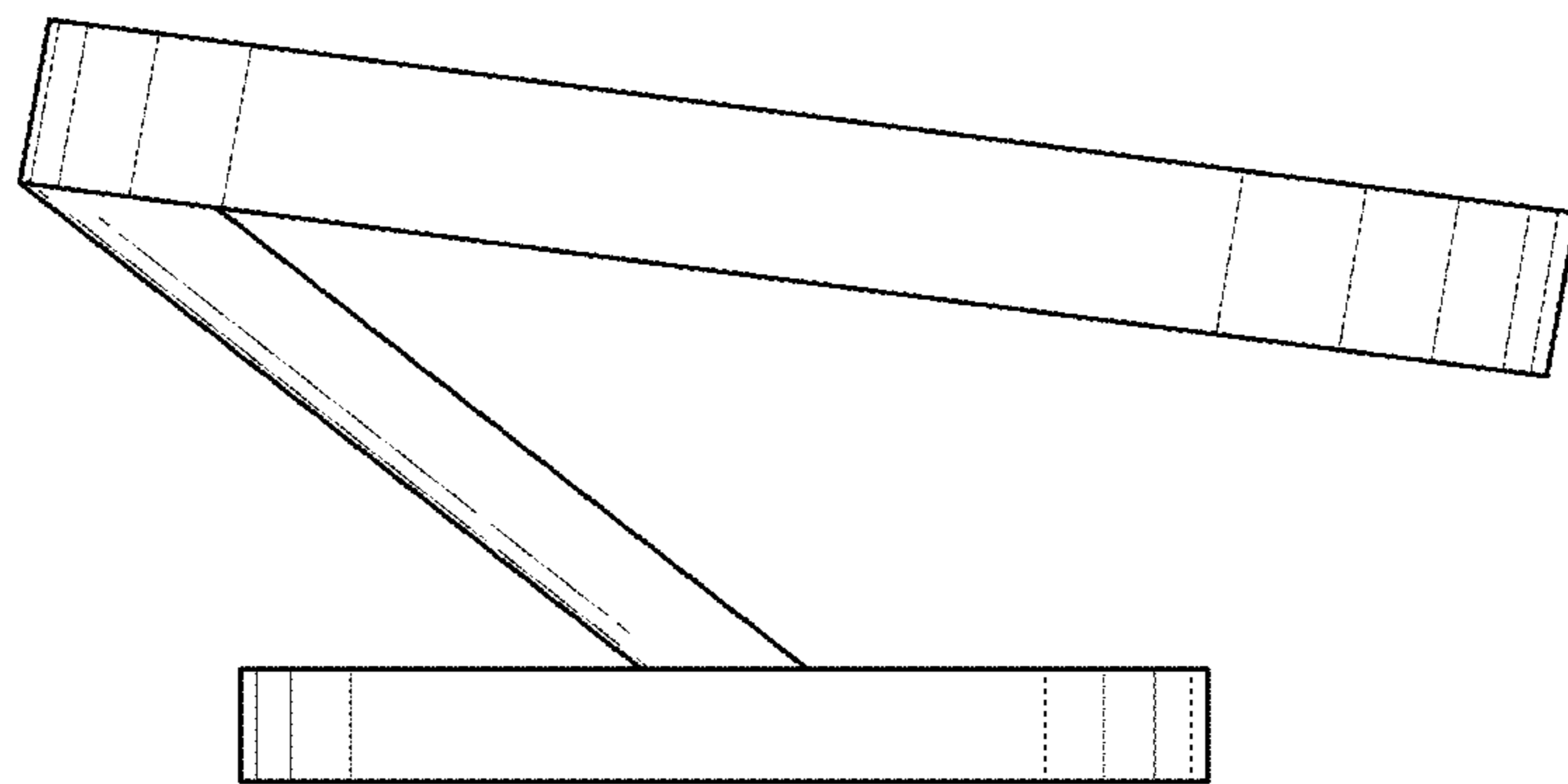


FIG. 6

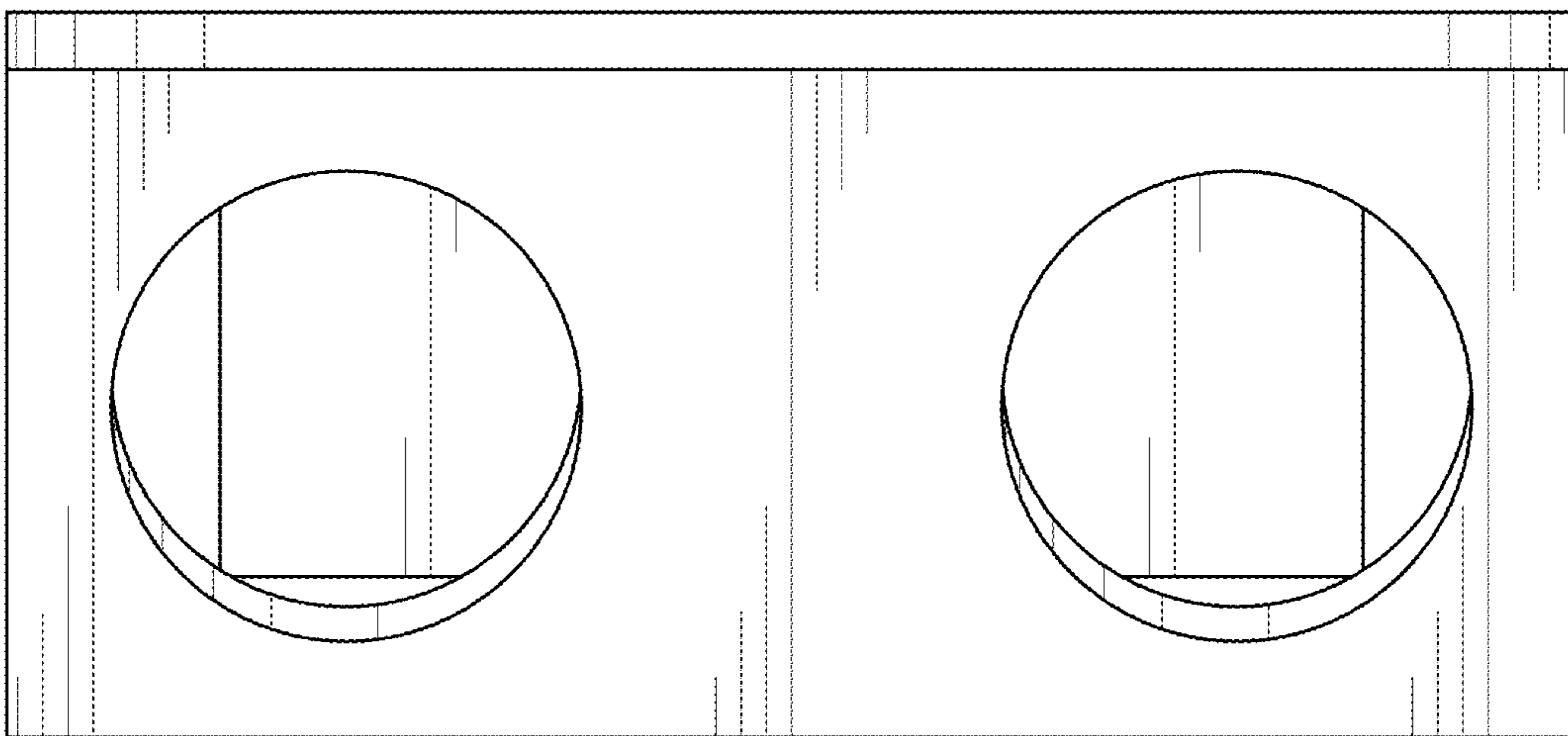


FIG. 7

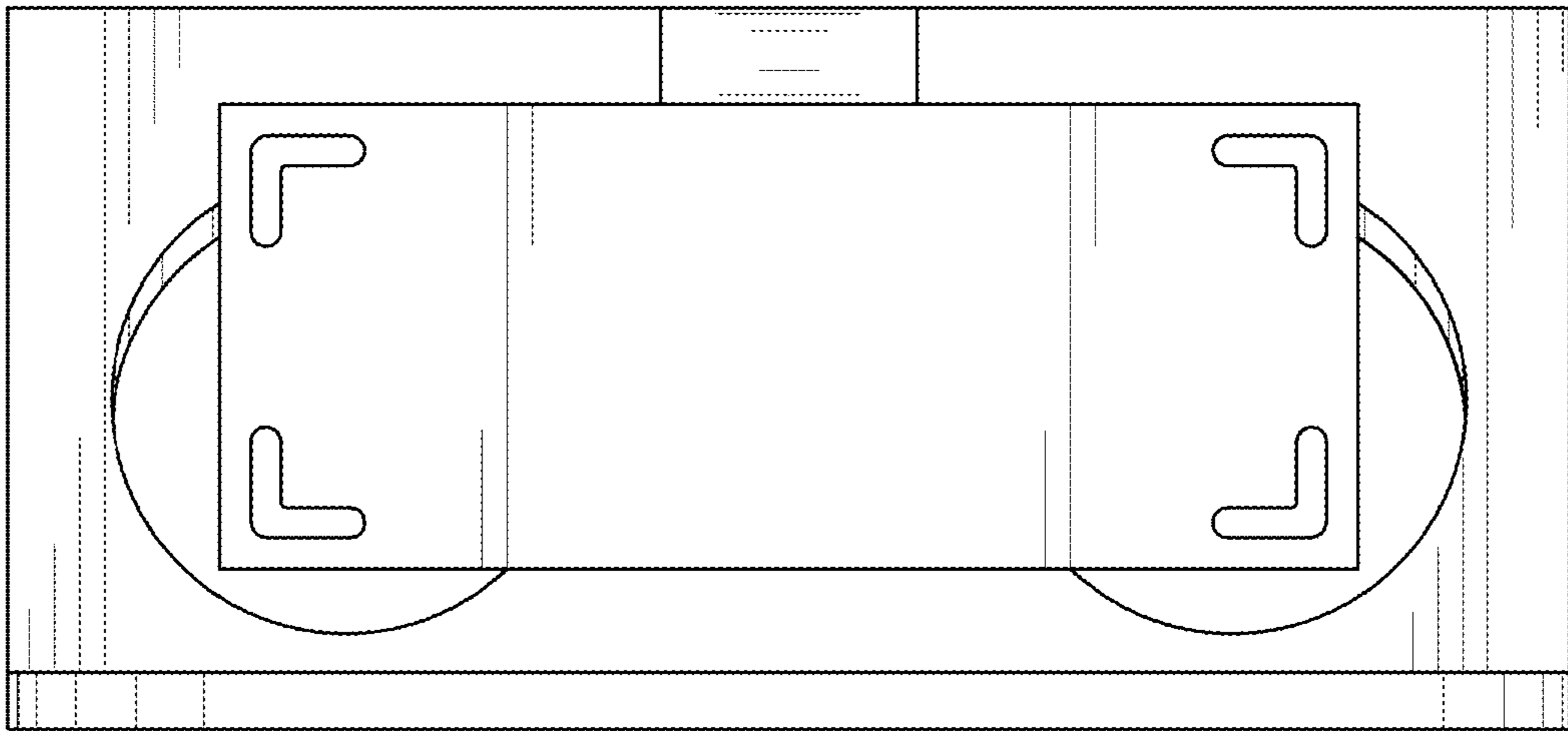


FIG. 8