



US00D772492S

(12) **United States Design Patent**
Kimball

(10) **Patent No.:** **US D772,492 S**

(45) **Date of Patent:** **** Nov. 22, 2016**

(54) **SEAL**

(71) Applicant: **Brooks Equipment Company, LLC**,
Charlotte, NC (US)

(72) Inventor: **Roy Charles Kimball**, Belmont, NC
(US)

(73) Assignee: **BROOKS EQUIPMENT COMPANY, LLC**,
Charlotte, NC (US)

(**) Term: **14 Years**

(21) Appl. No.: **29/523,427**

(22) Filed: **Apr. 9, 2015**

(51) **LOC (10) Cl.** **29-01**

(52) **U.S. Cl.**
USPC **D29/129**

(58) **Field of Classification Search**
USPC D29/129, 130, 125; D8/382, 394, 396;
24/16 PB; 292/322, 318, 307
CPC A62C 2/00; A62C 8/00; A62C 13/76
See application file for complete search history.

(56) **References Cited**

U.S. PATENT DOCUMENTS

6,667,091 B1 * 12/2003 Castro Netto G09F 3/037
24/16 PB
D542,928 S * 5/2007 Bauer D24/217
7,246,830 B2 * 7/2007 Graves B65D 63/1054
292/307 R
7,740,210 B2 * 6/2010 Pilon B65D 63/1081
24/16 PB
7,934,297 B2 * 5/2011 Williams B65D 63/1072
24/16 PB

8,453,937 B2 * 6/2013 Kolton G06K 19/041
235/375
8,480,140 B2 * 7/2013 Zhang G09F 3/0323
24/16 PB
8,555,467 B2 * 10/2013 Kelly B65D 63/1081
24/16 PB
D745,225 S * 12/2015 Siria-Womach D29/129

OTHER PUBLICATIONS

Office Action issued on Jun. 3, 2016 in Mexican Patent Application
No. MX/f/2015/003052.

* cited by examiner

Primary Examiner — Randall Gholson

(74) *Attorney, Agent, or Firm* — Oblon, McClelland,
Maier & Neustadt, L.L.P.

(57) **CLAIM**

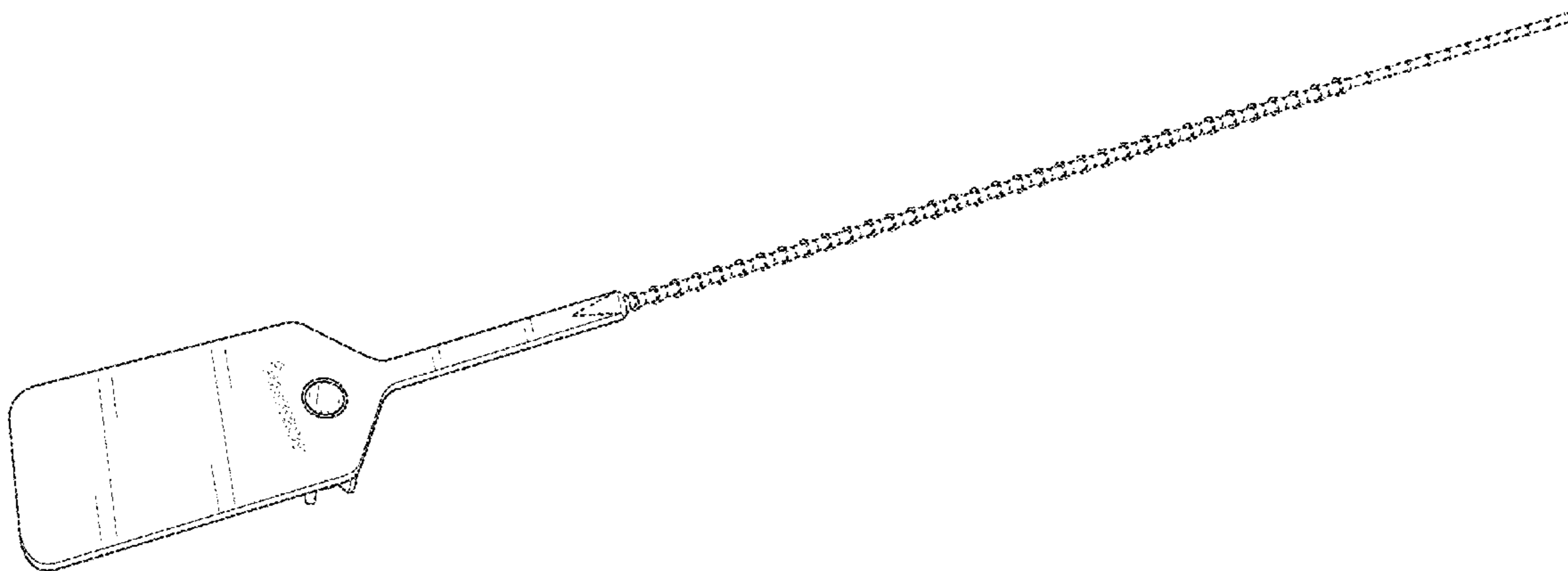
The ornamental design for a seal, as shown and described.

DESCRIPTION

FIG. 1 is a front and right side perspective view of a seal;
FIG. 2 is a rear and left side perspective view thereof;
FIG. 3 is a top plan view thereof;
FIG. 4 is a bottom plan view thereof;
FIG. 5 is a right side elevational view thereof, the left side
elevational view being a mirror image of the right side
elevational view shown;
FIG. 6 is a front elevational view thereof;
FIG. 7 is a rear elevational view thereof; and,
FIG. 8 is a cross-sectional view thereof, from line 8-8 in
FIG. 6.

The broken lines depict portions of the seal that form no part
of the claimed design.

1 Claim, 7 Drawing Sheets



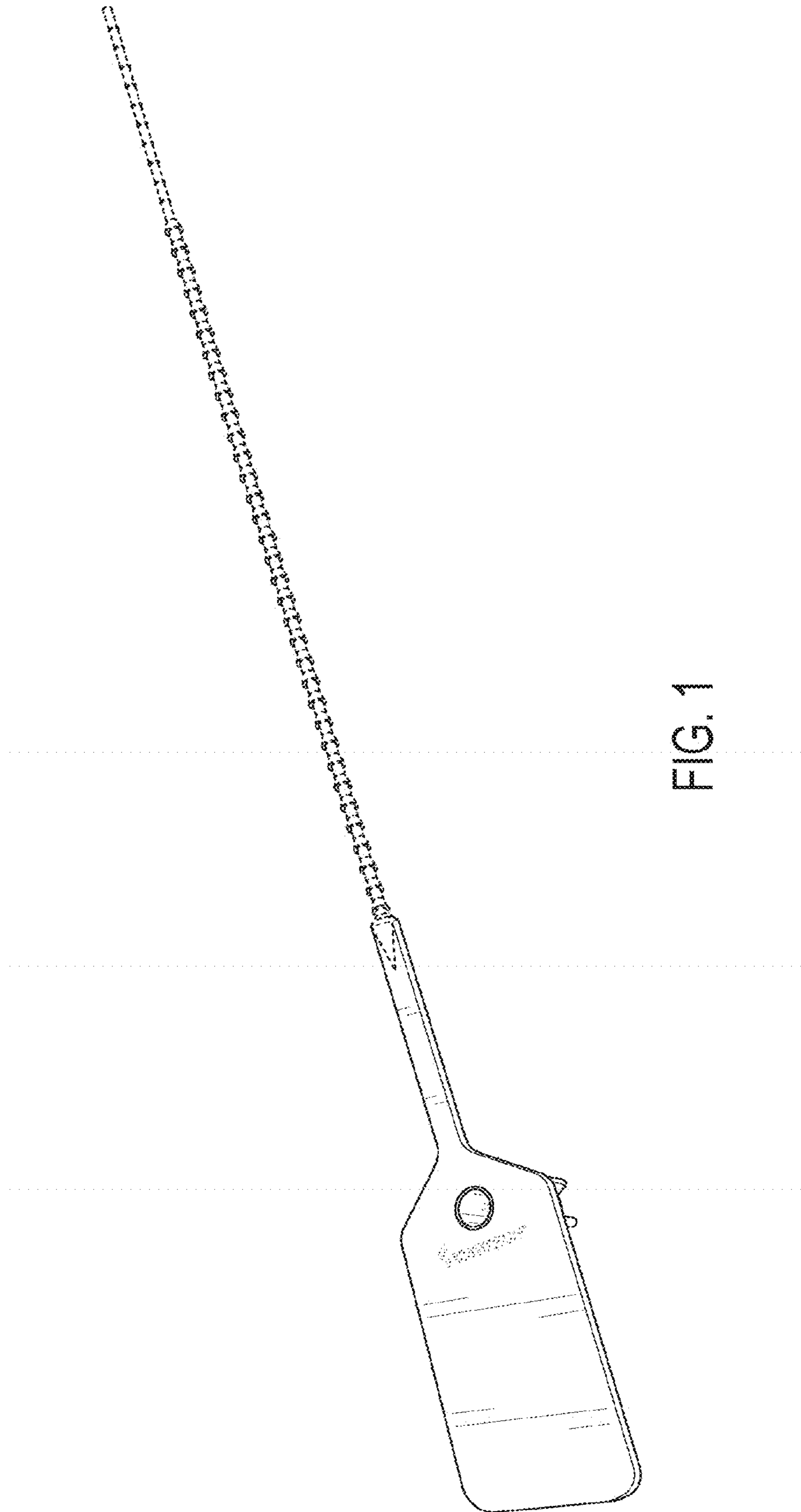


FIG. 1

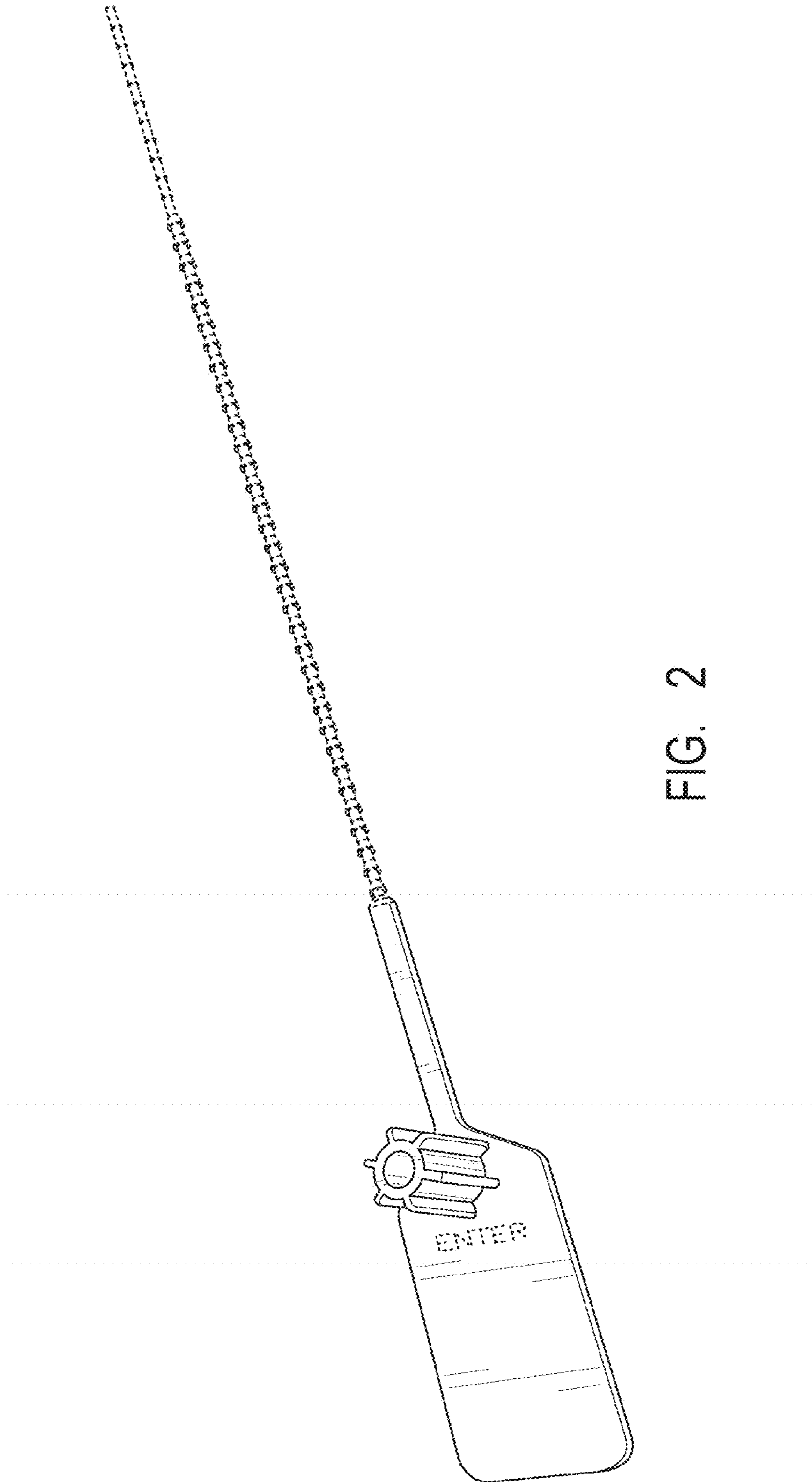


FIG. 2

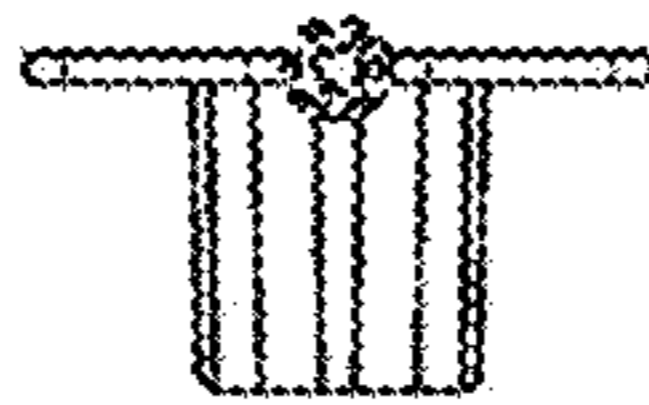


FIG. 3

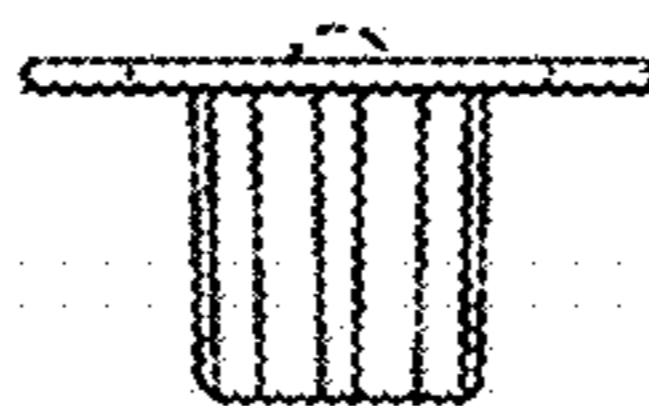


FIG. 4

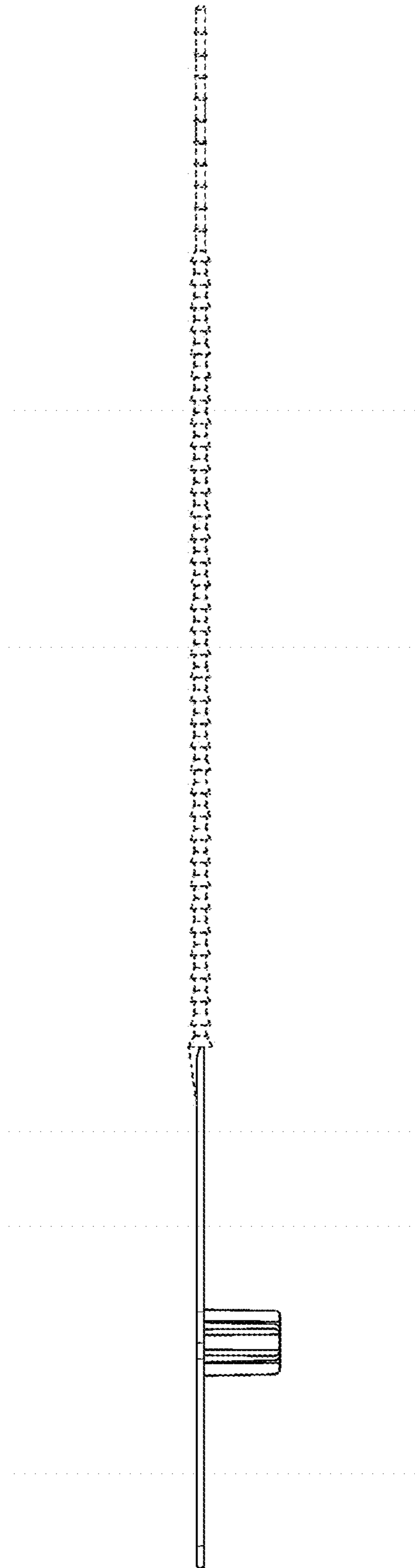


FIG. 5

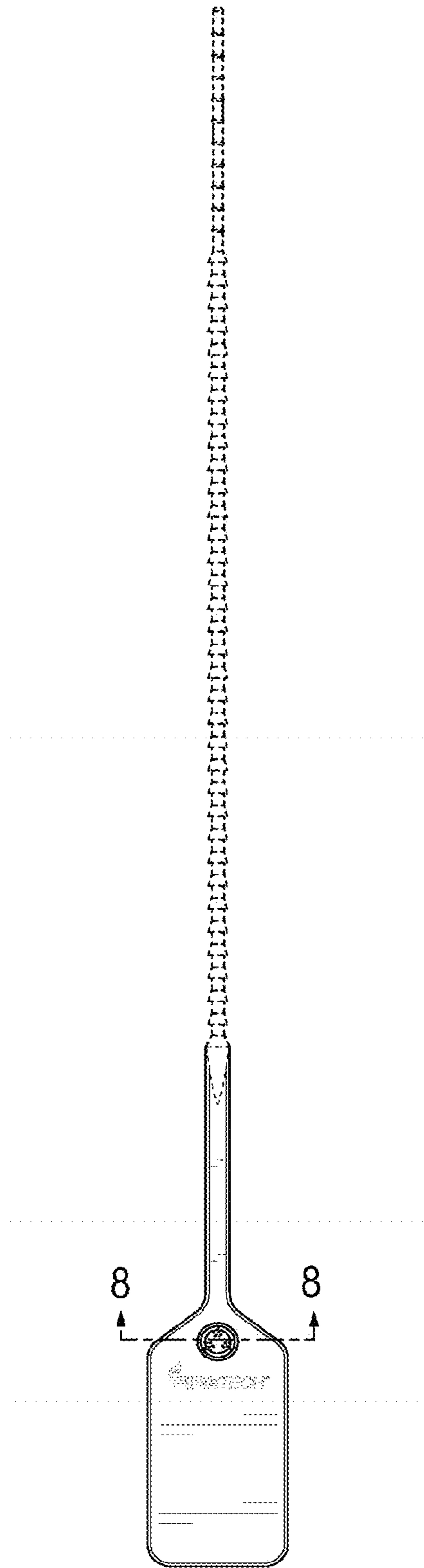


FIG. 6

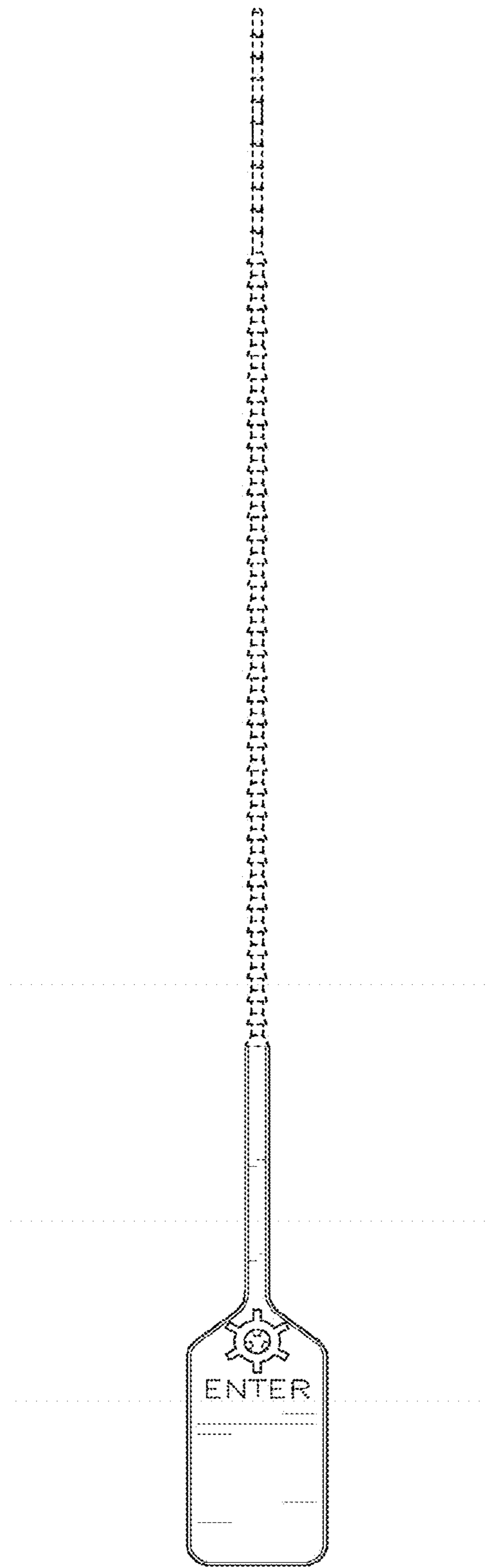


FIG. 7

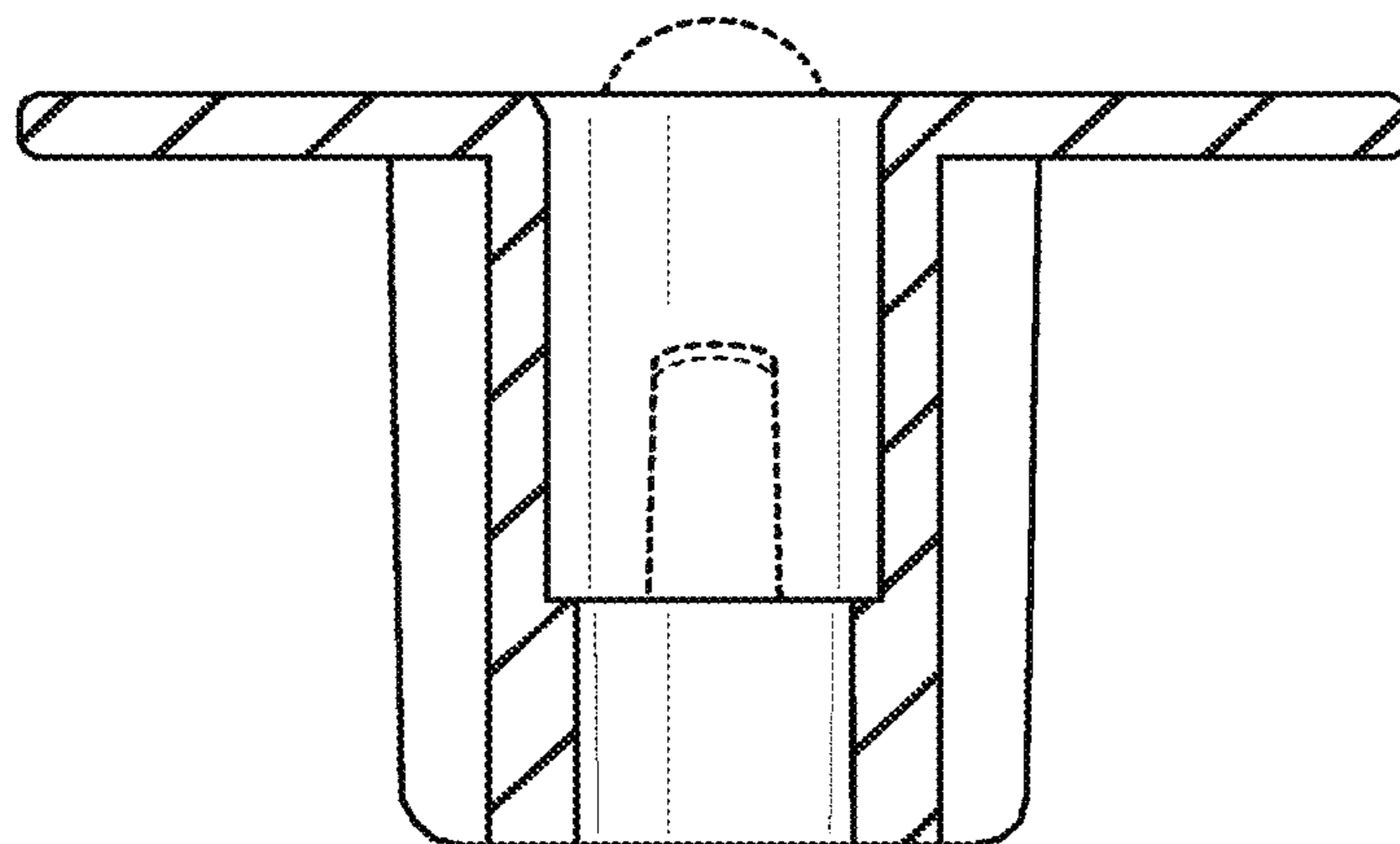


FIG. 8