



US00D772491S

(12) **United States Design Patent**  
**Kempin**

(10) **Patent No.:** **US D772,491 S**

(45) **Date of Patent:** **\*\* Nov. 22, 2016**

(54) **GOGGLE STOPPER**

(71) Applicant: **Jeffrey Kempin**, Oakland, NJ (US)

(72) Inventor: **Jeffrey Kempin**, Oakland, NJ (US)

(73) Assignee: **JMA Holding, LLC**, Fair Lawn, NJ (US)

(\*\*) Term: **14 Years**

(21) Appl. No.: **29/502,521**

(22) Filed: **Sep. 17, 2014**

(51) **LOC (10) Cl.** ..... **29-02**

(52) **U.S. Cl.**  
USPC ..... **D29/122**

(58) **Field of Classification Search**  
USPC ..... D29/102-107, 122; D8/382, 349, 394,  
D8/395; 411/488; D2/867, 894; 248/74.2,  
248/316.7, 309.1  
CPC ..... A42B 1/00; A42B 1/24; B43K 23/00  
See application file for complete search history.

(56) **References Cited**

**U.S. PATENT DOCUMENTS**

4,434,514 A \* 3/1984 Sundahl ..... A42B 3/281  
2/171.3  
D580,925 S \* 11/2008 McClaude ..... D14/253

D586,503 S \* 2/2009 Lau ..... D28/39  
D617,055 S \* 6/2010 Higgins ..... D29/122  
D622,007 S \* 8/2010 Higgins ..... D29/122  
D660,554 S \* 5/2012 Blackshear ..... D2/872

\* cited by examiner

*Primary Examiner* — Randall Gholson

(74) *Attorney, Agent, or Firm* — Gearhart Law LLC

(57) **CLAIM**

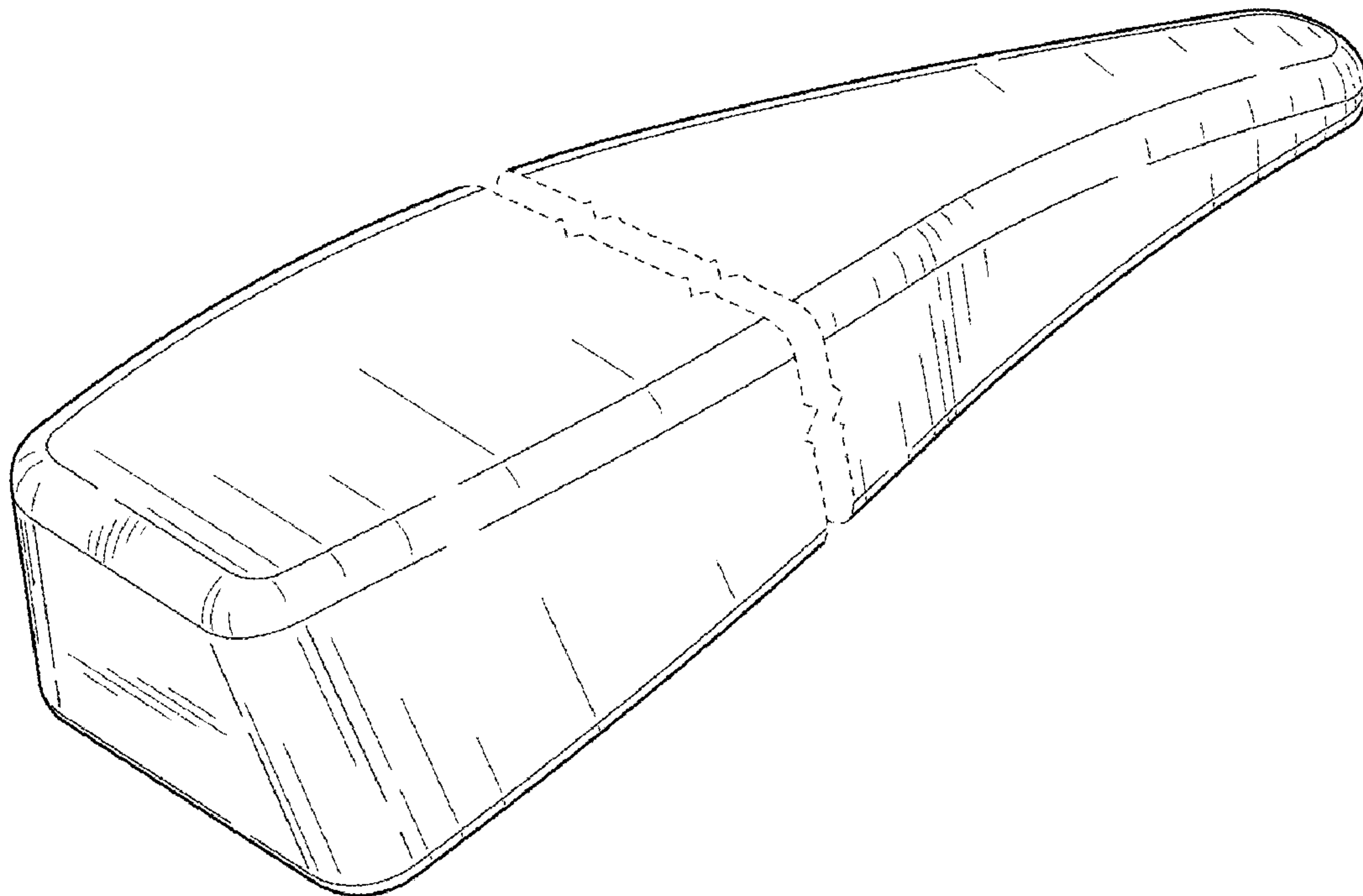
I claim the ornamental design for a goggle stopper, as shown and described.

**DESCRIPTION**

FIG. 1 is a perspective view of a goggle stopper.  
FIG. 2 is a top view of a goggle stopper.  
FIG. 3 is a bottom view of a goggle stopper.  
FIG. 4 is a front view of a goggle stopper.  
FIG. 5 is a side view of a goggle stopper  
FIG. 6 is another side view of a goggle stopper; and,  
FIG. 7 is a side view of a goggle stopper in use on an article of headwear.

The goggle stopper is shown with a symbolic break in its length. The appearance of any portion of the goggle stopper between the break lines forms no part of the claimed design.

**1 Claim, 3 Drawing Sheets**



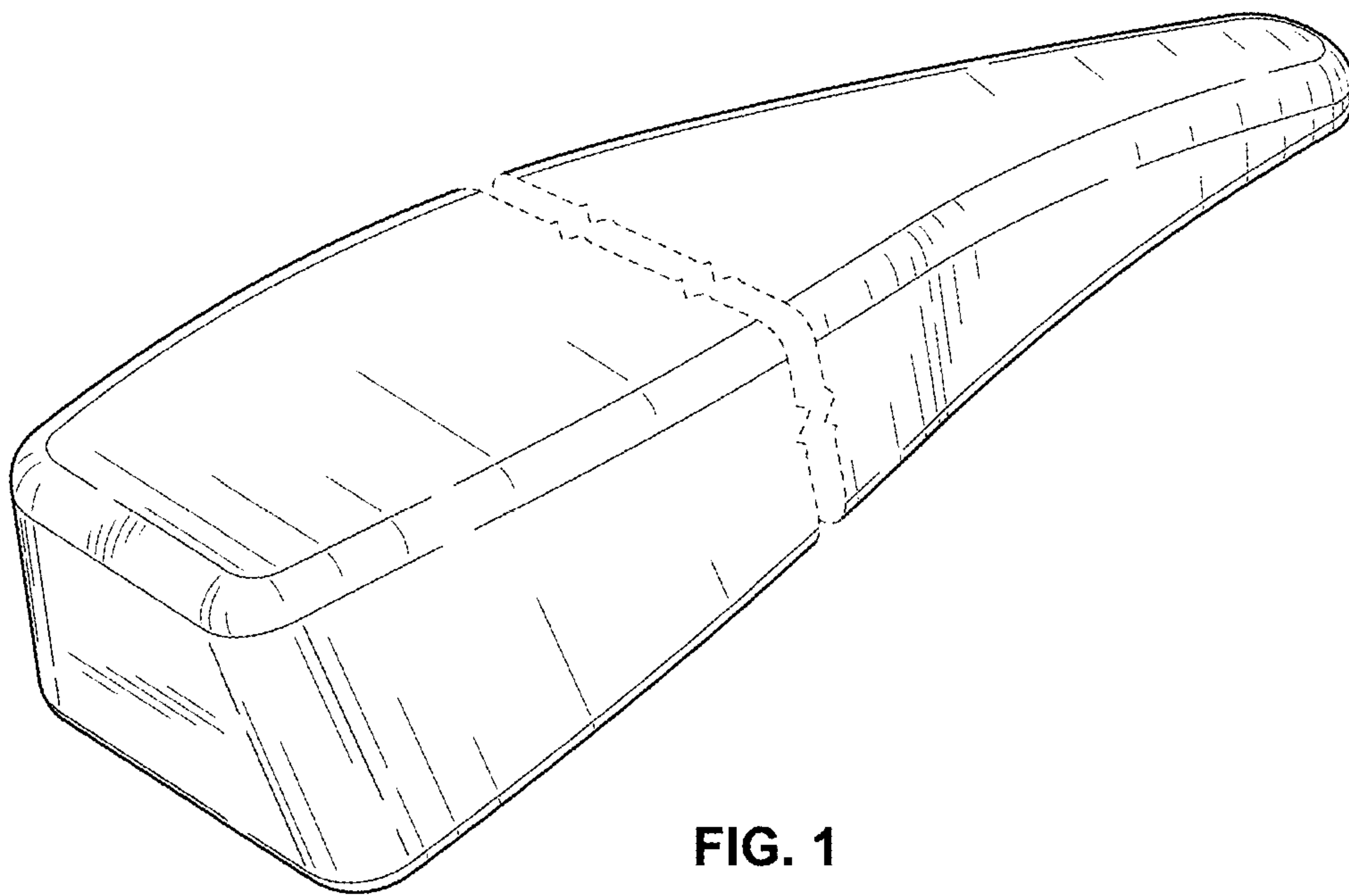


FIG. 1

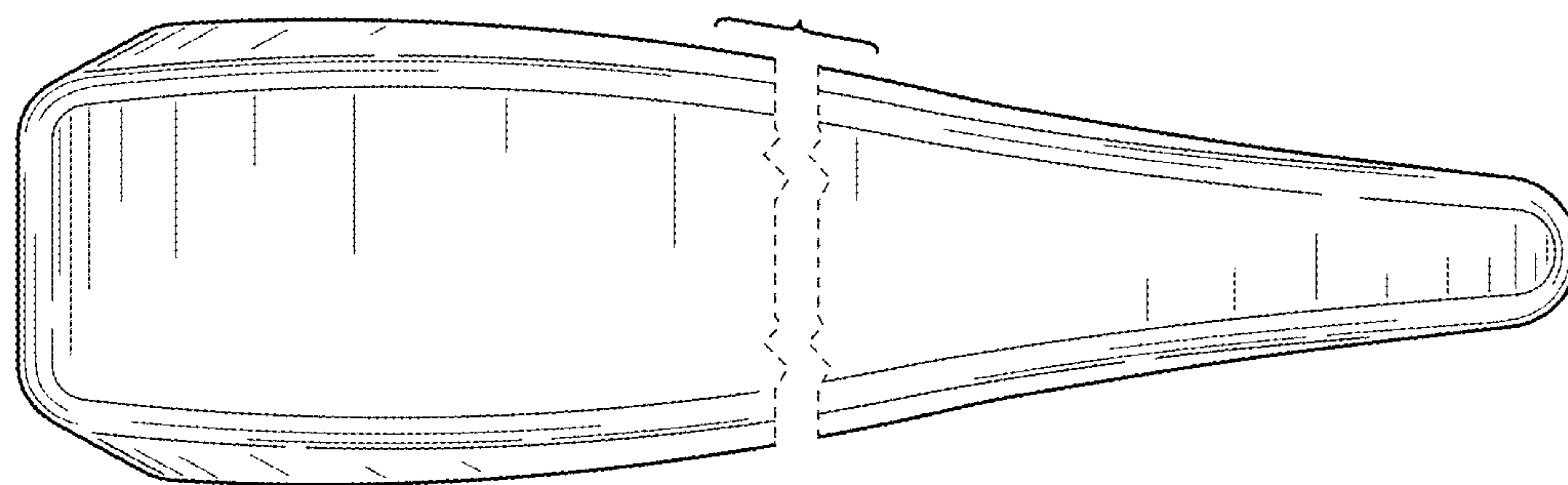


FIG. 2

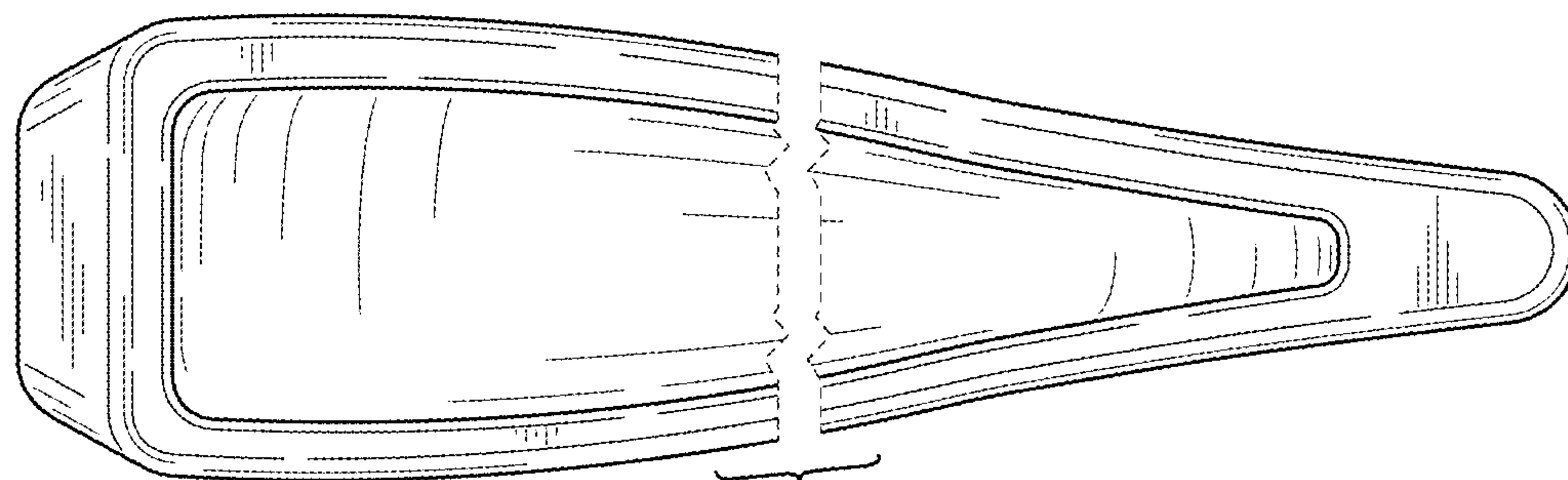


FIG. 3

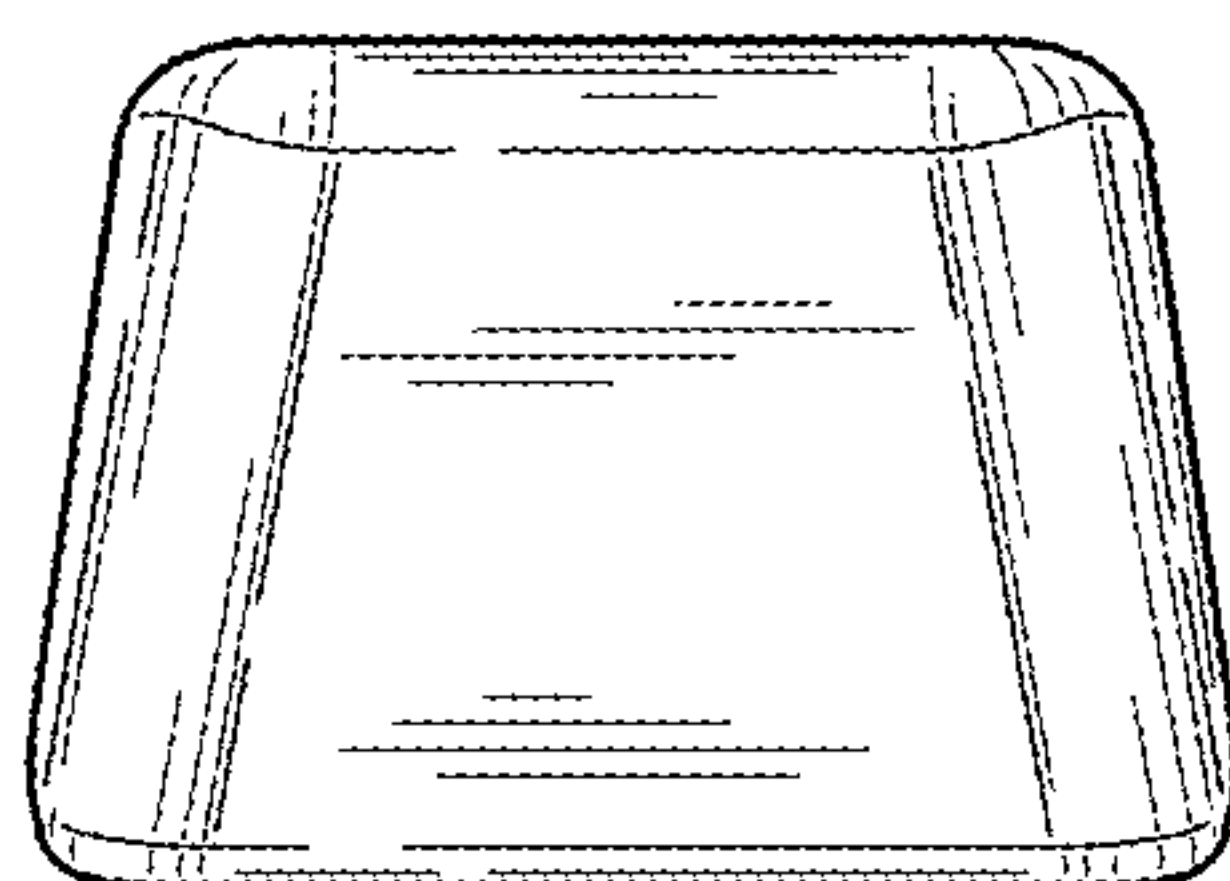


FIG. 4

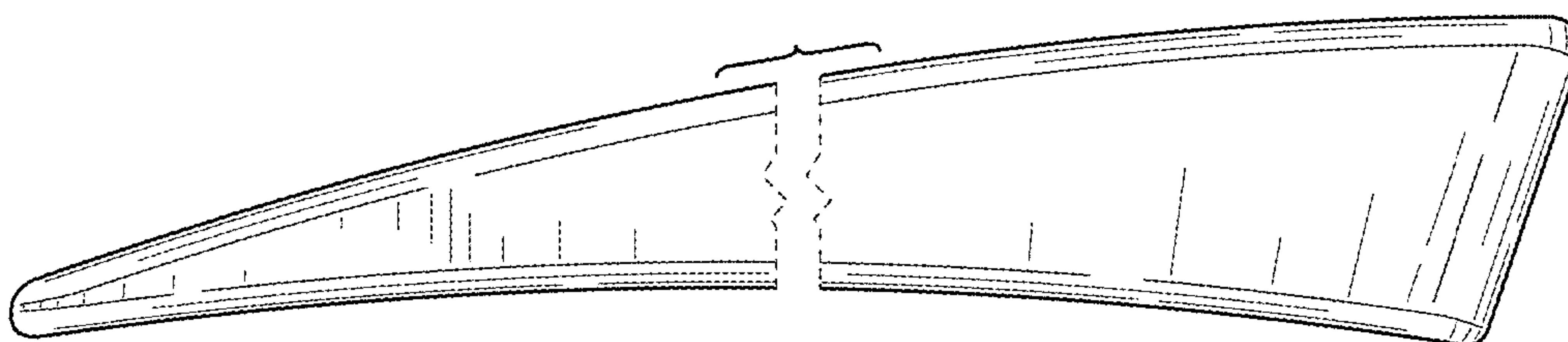


FIG. 5

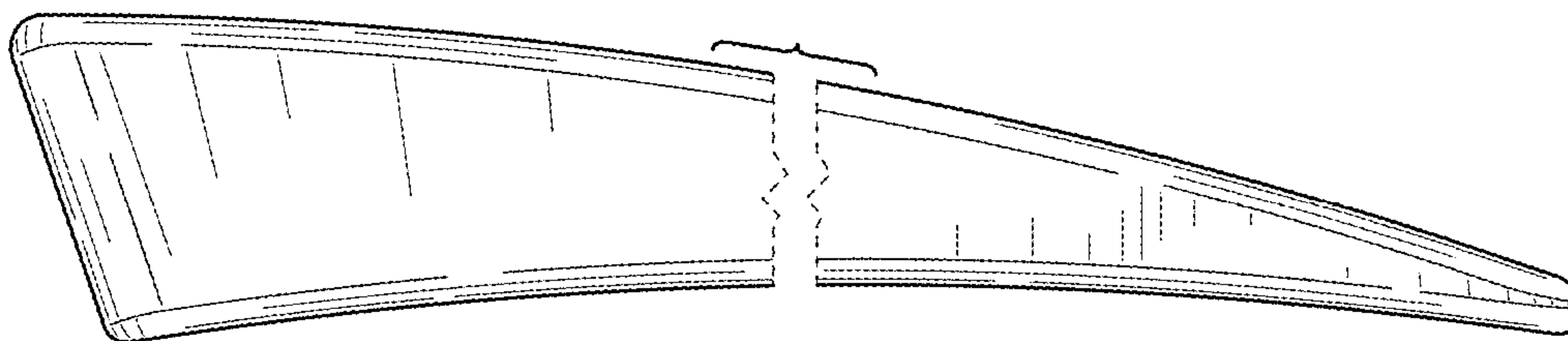


FIG. 6

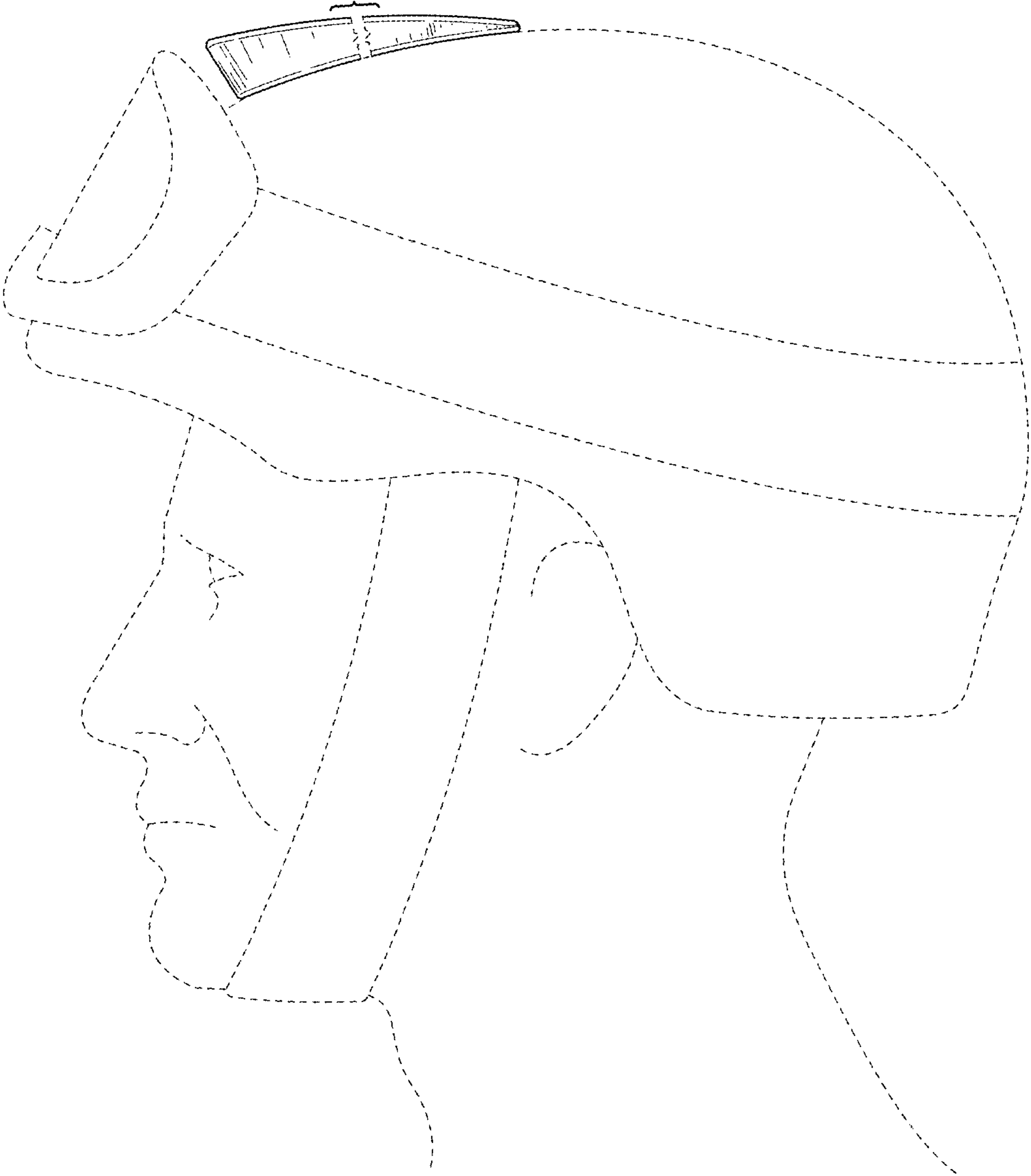


FIG. 7