



US00D772489S

(12) **United States Design Patent** (10) **Patent No.:** **US D772,489 S**
Lamson (45) **Date of Patent:** **** Nov. 22, 2016**

(54) **FOOTBALL HELMET FACEMASK**

(71) Applicant: **Kyle Lamson**, Chelmsford, MA (US)

(72) Inventor: **Kyle Lamson**, Chelmsford, MA (US)

(73) Assignee: **Xenith, LLC**, Lowell, MA (US)

(**) Term: **14 Years**

(21) Appl. No.: **29/521,334**

(22) Filed: **Mar. 23, 2015**

(51) **LOC (10) Cl.** **29-02**

(52) **U.S. Cl.**
USPC **D29/111**

(58) **Field of Classification Search**
USPC D29/102, 108, 111, 122; D2/866, 891, D2/875
CPC A42B 3/00; A42B 3/18; A42B 3/20; A42B 3/32; A42B 3/324
See application file for complete search history.

(56) **References Cited**

U.S. PATENT DOCUMENTS

- 4,736,466 A * 4/1988 Kallstrom A63B 71/10 D29/111
5,806,088 A * 9/1998 Zide A42B 3/20 2/424
D508,298 S * 8/2005 Bernacchi D29/111

- D758,669 S * 6/2016 Collette D29/111
2007/0199136 A1 * 8/2007 Brine A42B 3/324 2/410
2009/0044316 A1 * 2/2009 Udelhofen A42B 3/20 2/424

* cited by examiner

Primary Examiner — Elizabeth J Oswecki

(74) *Attorney, Agent, or Firm* — Morgan, Lewis & Bockius LLP

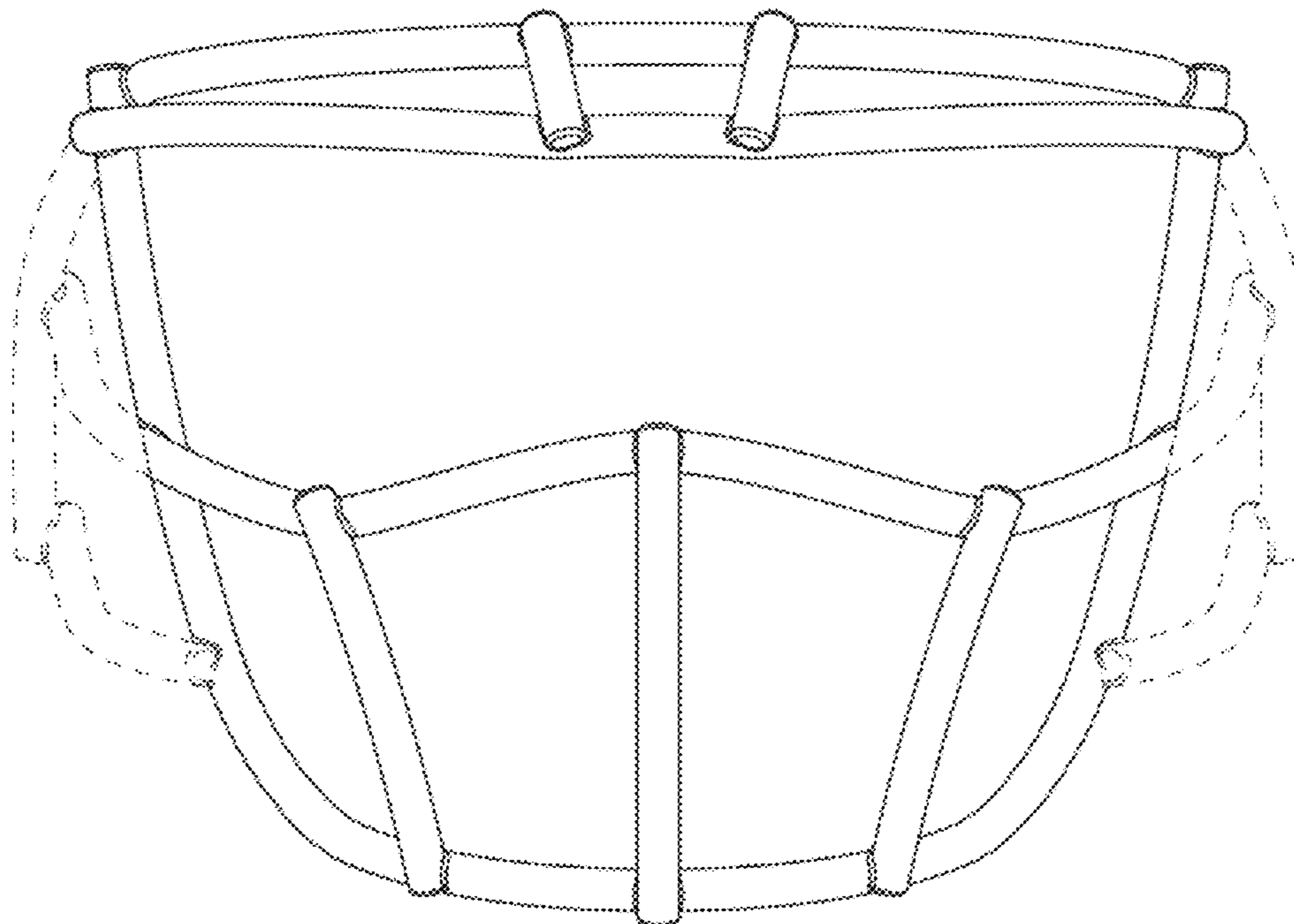
(57) **CLAIM**

The ornamental design for a football helmet facemask, as shown and described.

DESCRIPTION

FIG. 1 is a top plan view of a football helmet facemask showing my new design;
FIG. 2 is a left, front, perspective view thereof;
FIG. 3 is a front elevation view thereof; and,
FIG. 4 is a left side elevation view thereof, the right side being a mirror image of the left side.
The broken lines shown in the drawings represent portions of the football helmet facemask that form no part of the claimed design. The broken lines adjoining the solid line claimed matter define the bounds of the claimed design and form no part thereof.
All surfaces which are not shown, other than the right side, form no part of the claimed design.

1 Claim, 4 Drawing Sheets



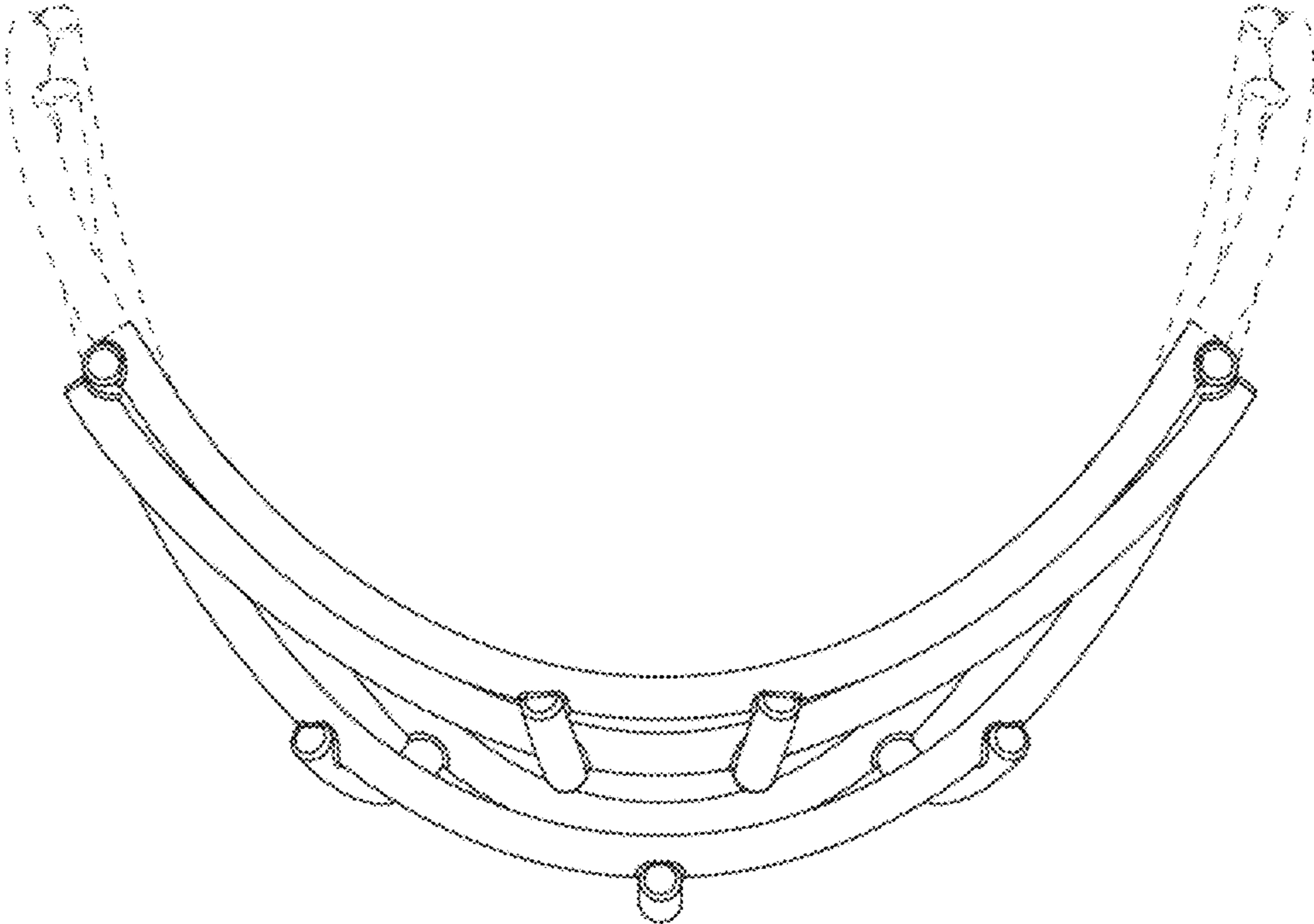


Fig. 1

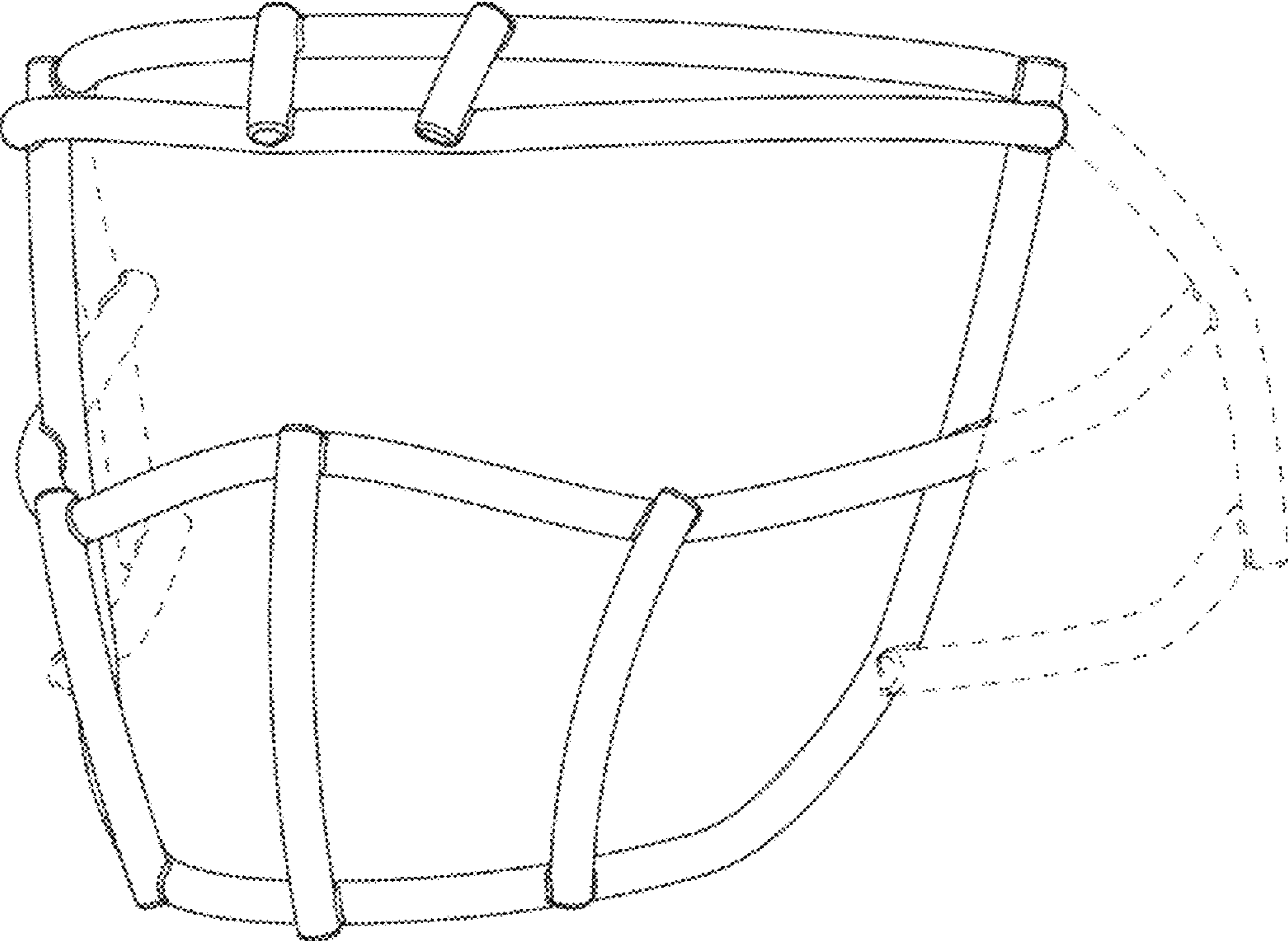


Fig. 2

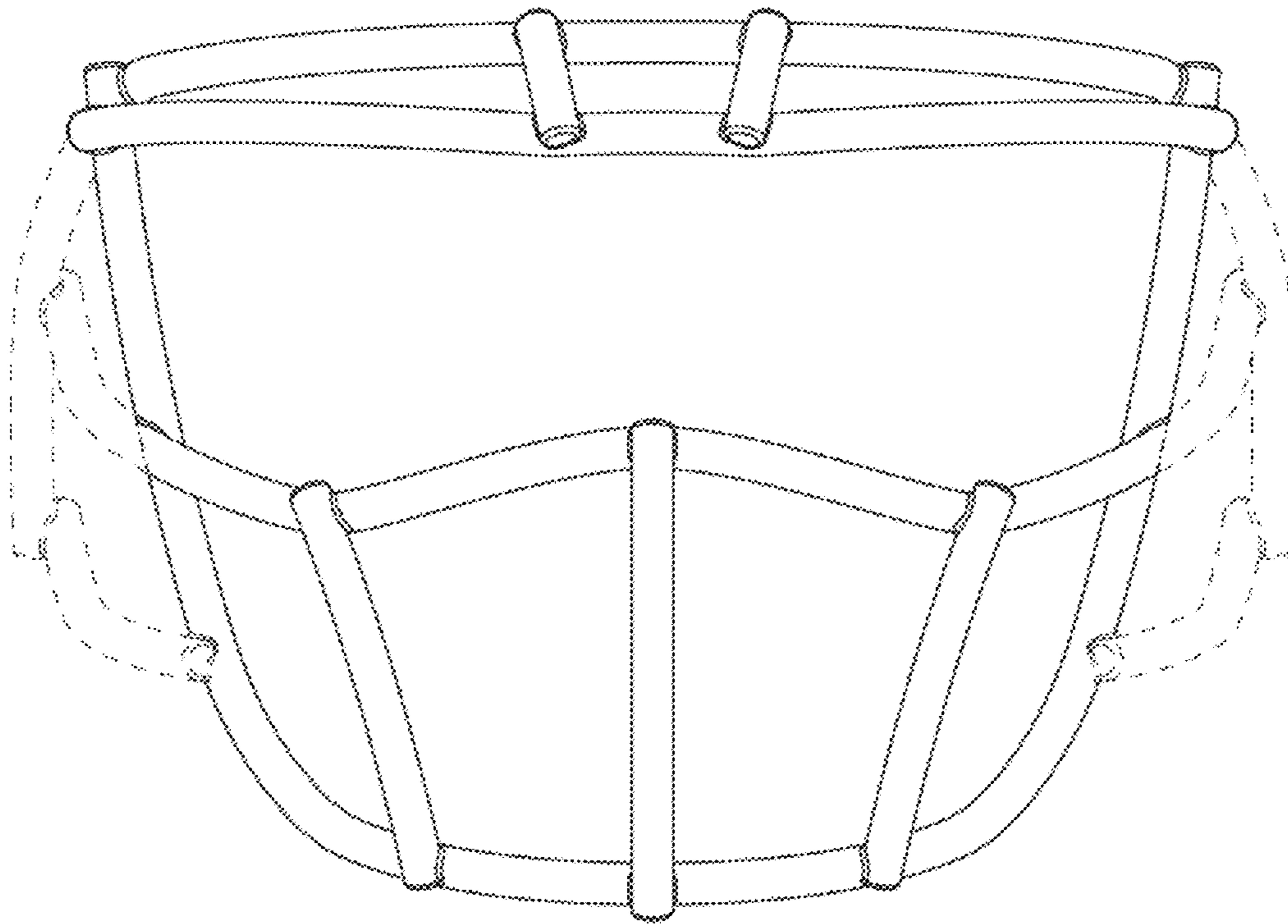


Fig. 3

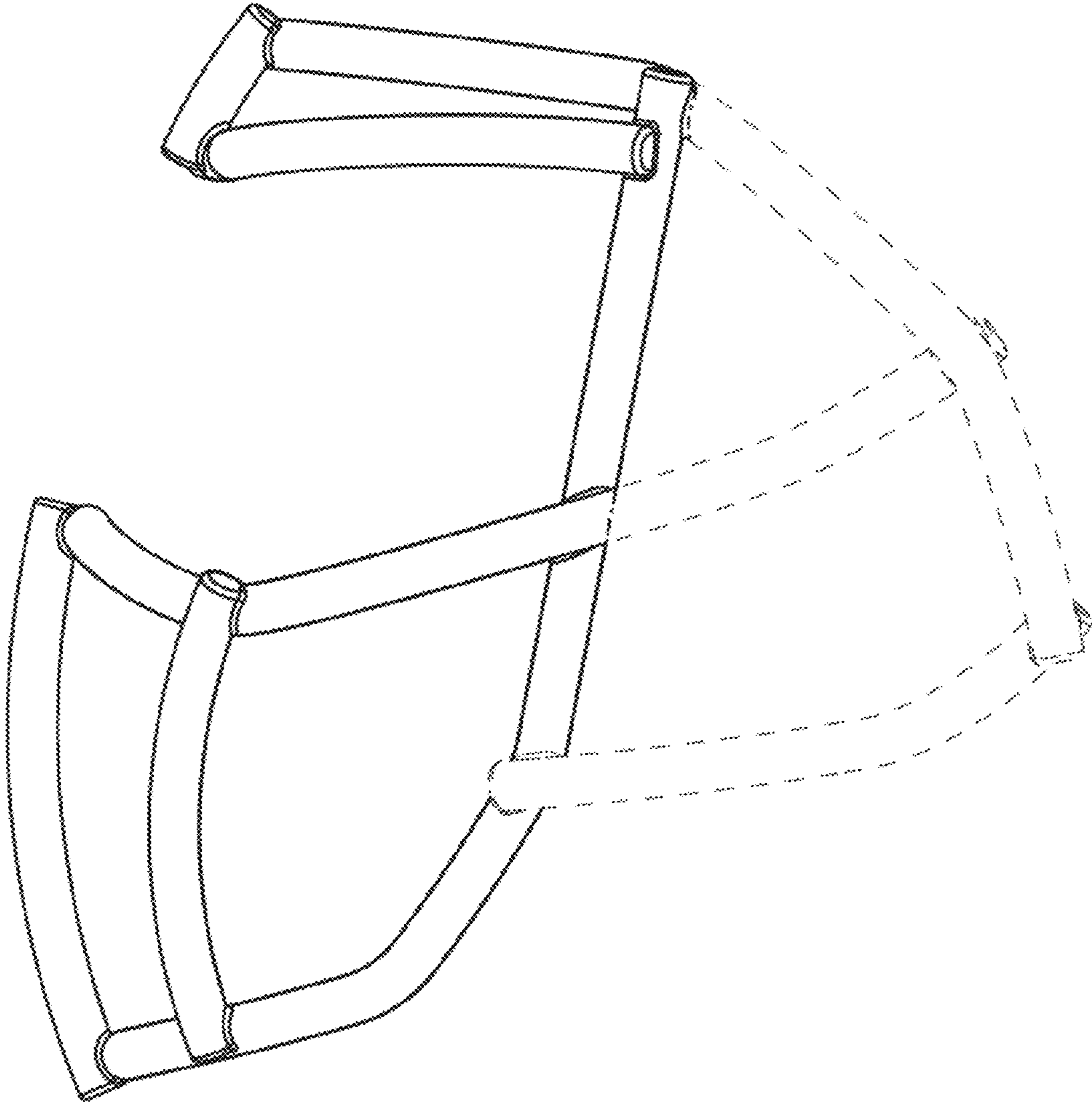


Fig. 4