

US00D772488S

(12) **United States Design Patent** (10) **Patent No.:** **US D772,488 S**  
**Reed** (45) **Date of Patent:** **\*\* Nov. 22, 2016**

(54) **CUP COOLING LINER**  
(71) Applicant: **Michael R. Reed**, Wichita, KS (US)  
(72) Inventor: **Michael R. Reed**, Wichita, KS (US)  
(\*\*) Term: **15 Years**  
(21) Appl. No.: **29/539,266**  
(22) Filed: **Sep. 11, 2015**

D632,020 S \* 2/2011 Onrot ..... D29/120.1  
7,900,285 B2 \* 3/2011 Steszyn ..... A63B 71/1216  
2/466  
8,245,327 B2 \* 8/2012 Wilson, II ..... A41B 9/12  
2/466  
D670,436 S \* 11/2012 Diamond ..... D29/101.5  
8,500,669 B2 \* 8/2013 Sheu ..... A63B 71/1216  
2/466

(Continued)

**FOREIGN PATENT DOCUMENTS**

WO 2003022375 A1 3/2003

**OTHER PUBLICATIONS**

NJ Fight Shop product information for “Combat Sports Gel Protective Cup”, 2013, [www.nifightshop.com/combat-sports-gel-protective-cup/](http://www.nifightshop.com/combat-sports-gel-protective-cup/).

(Continued)

*Primary Examiner* — Randall Gholson  
(74) *Attorney, Agent, or Firm* — James R. Eley; Eley Law Firm Co. LPA

(57) **CLAIM**  
The ornamental design for a cup cooling liner, as shown and described.

**DESCRIPTION**

FIG. 1 is a rear perspective view of a cup cooling liner showing my new design;  
FIG. 2 is a front perspective view of the cup cooling liner of FIG. 1;  
FIG. 3 is a right side elevational view of the cup cooling liner of FIG. 1, the left side being a mirror image;  
FIG. 4 is rear view of the cup cooling liner of FIG. 1;  
FIG. 5 is front view of the cup cooling liner of FIG. 1; and,  
FIG. 6 is a section view through the cup cooling liner of FIG. 5.

**1 Claim, 6 Drawing Sheets**

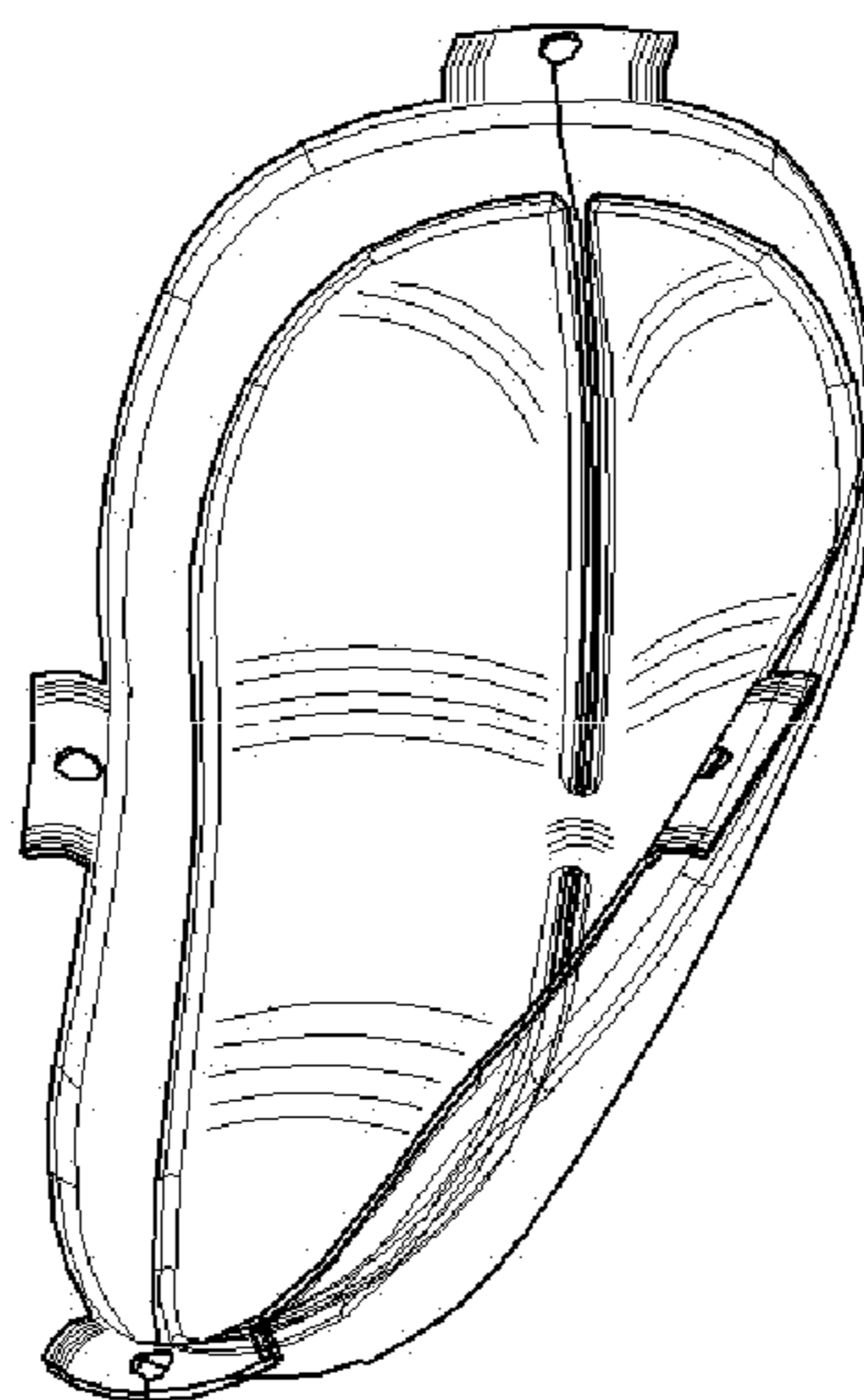
**Related U.S. Application Data**

(63) Continuation-in-part of application No. 14/323,020, filed on Jul. 3, 2014.  
(51) **LOC (10) Cl.** ..... **29-02**  
(52) **U.S. Cl.**  
USPC ..... **D29/101.5**  
(58) **Field of Classification Search**  
USPC ..... D29/10, 11, 100, 101.5, 122; D2/711, D2/713; 128/95.1, 96.1, 98.1, 846, 891; 602/67, 72, 73, 96, 108, 114; 2/2, 455; 450/38, 228, 267, 403, 405; 623/7; 604/352, 353, 395  
CPC ... A41D 13/05; A41D 13/0525; A63B 71/08  
See application file for complete search history.

(56) **References Cited**

**U.S. PATENT DOCUMENTS**

1,830,572 A 11/1931 Taylor  
2,283,684 A \* 5/1942 Matthews ..... A63B 71/12  
602/72  
4,471,772 A 9/1984 Miller, Jr.  
5,243,974 A 9/1993 Allen  
5,314,455 A 5/1994 Johnson, Jr. et al.  
5,557,804 A \* 9/1996 Ovortrup ..... A41D 13/0506  
128/888  
5,807,299 A 9/1998 McRoberts et al.  
6,048,327 A 4/2000 Kieffer  
6,068,607 A 5/2000 Palmer et al.  
D528,702 S \* 9/2006 Wong ..... D29/101.5  
D595,902 S \* 7/2009 Wiens ..... D29/101.5



(56)

**References Cited**

U.S. PATENT DOCUMENTS

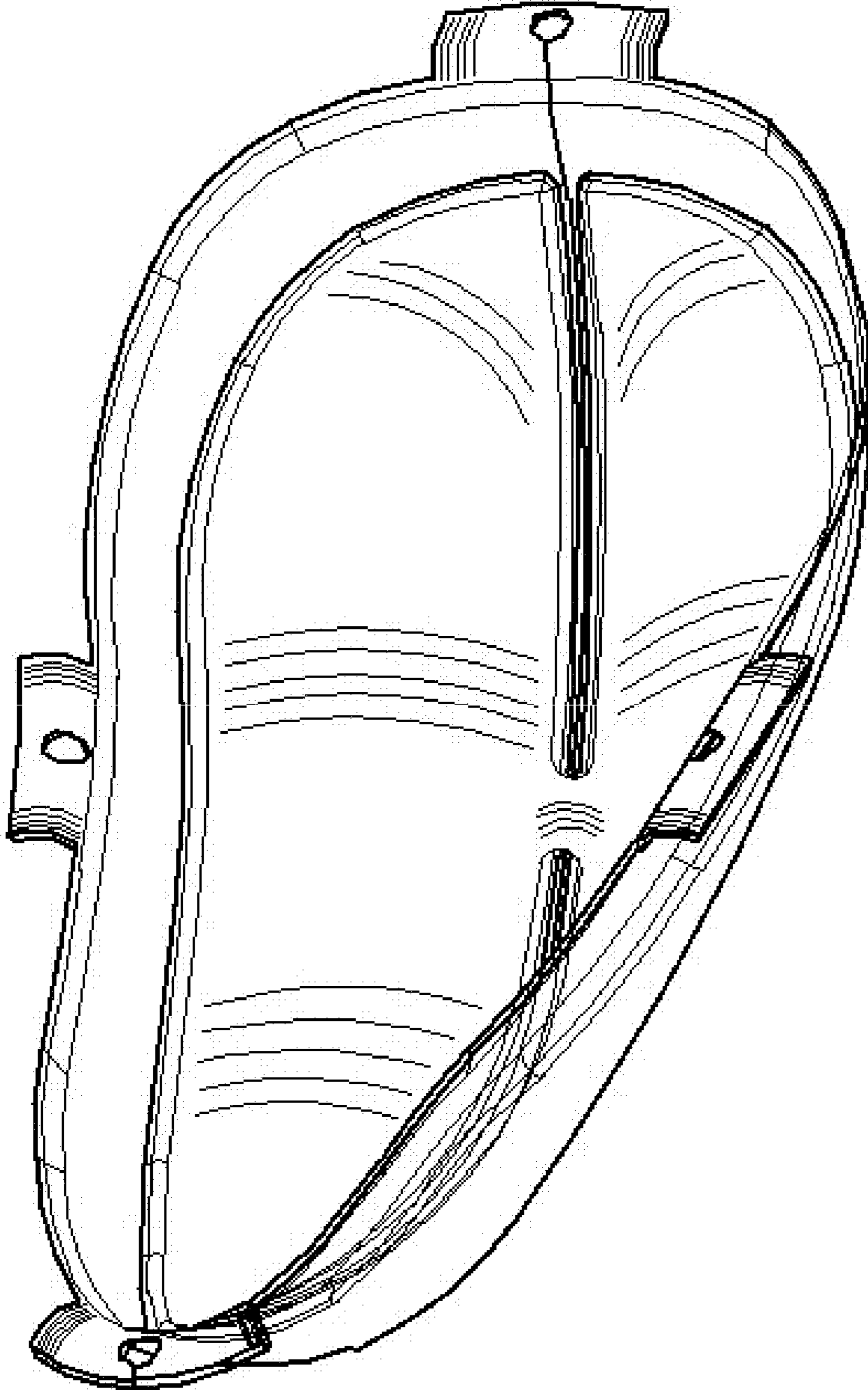
8,752,217 B1 \* 6/2014 Cheney ..... A41D 13/0525  
128/846  
D732,745 S \* 6/2015 Stewart ..... D29/101.5  
D734,553 S \* 7/2015 Stewart ..... D29/101.5  
2002/0052566 A1 5/2002 Sequeira  
2008/0262404 A1 10/2008 McKenzie

2008/0289351 A1 11/2008 Taylor  
2010/0275351 A1 11/2010 Wong  
2012/0316626 A1 12/2012 Dolivier et al.

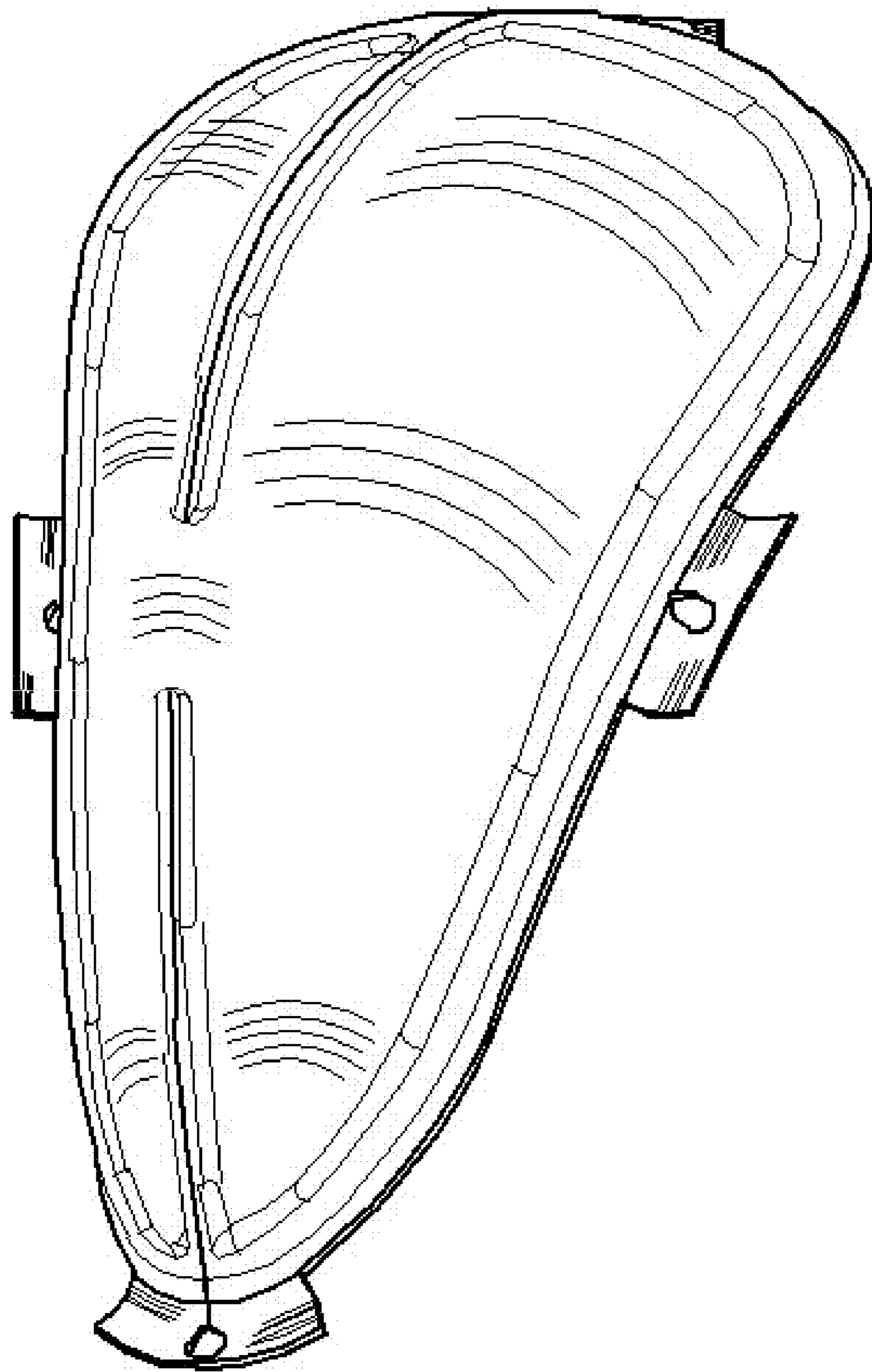
OTHER PUBLICATIONS

International Search Report, Patent Cooperation Treaty Application  
No. PCT/US2014/045567, Mailed Nov. 4, 2014.

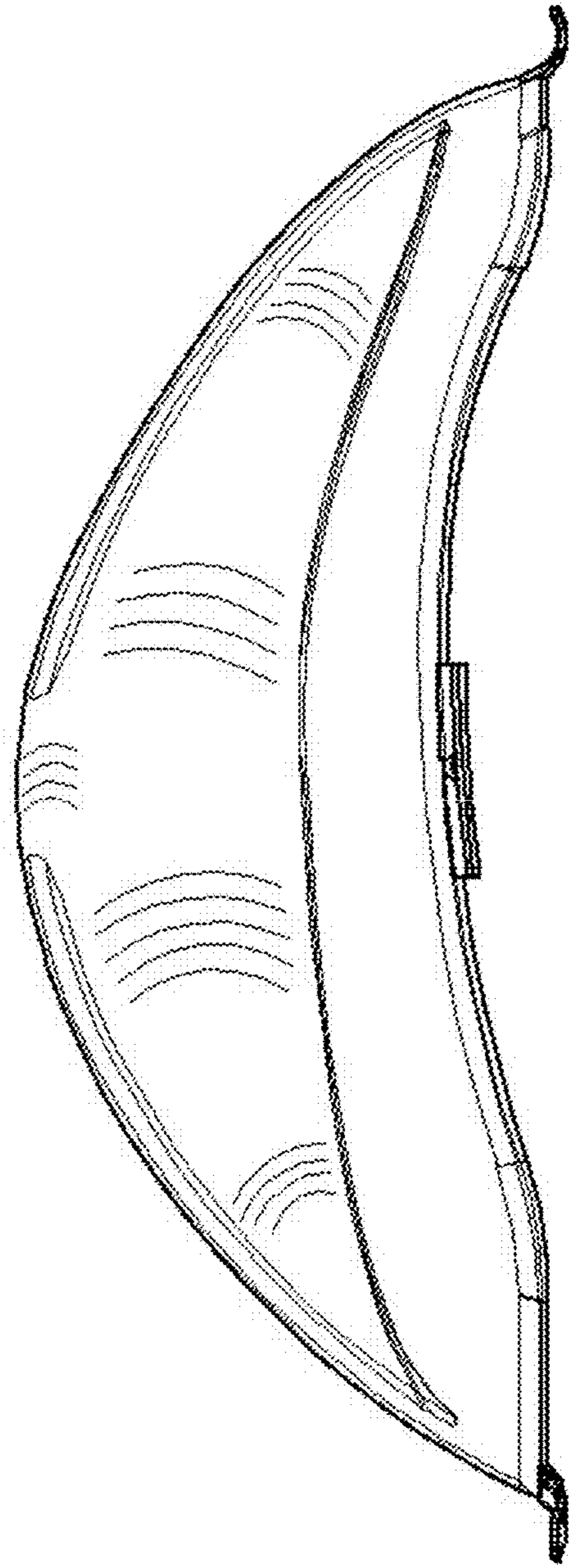
\* cited by examiner



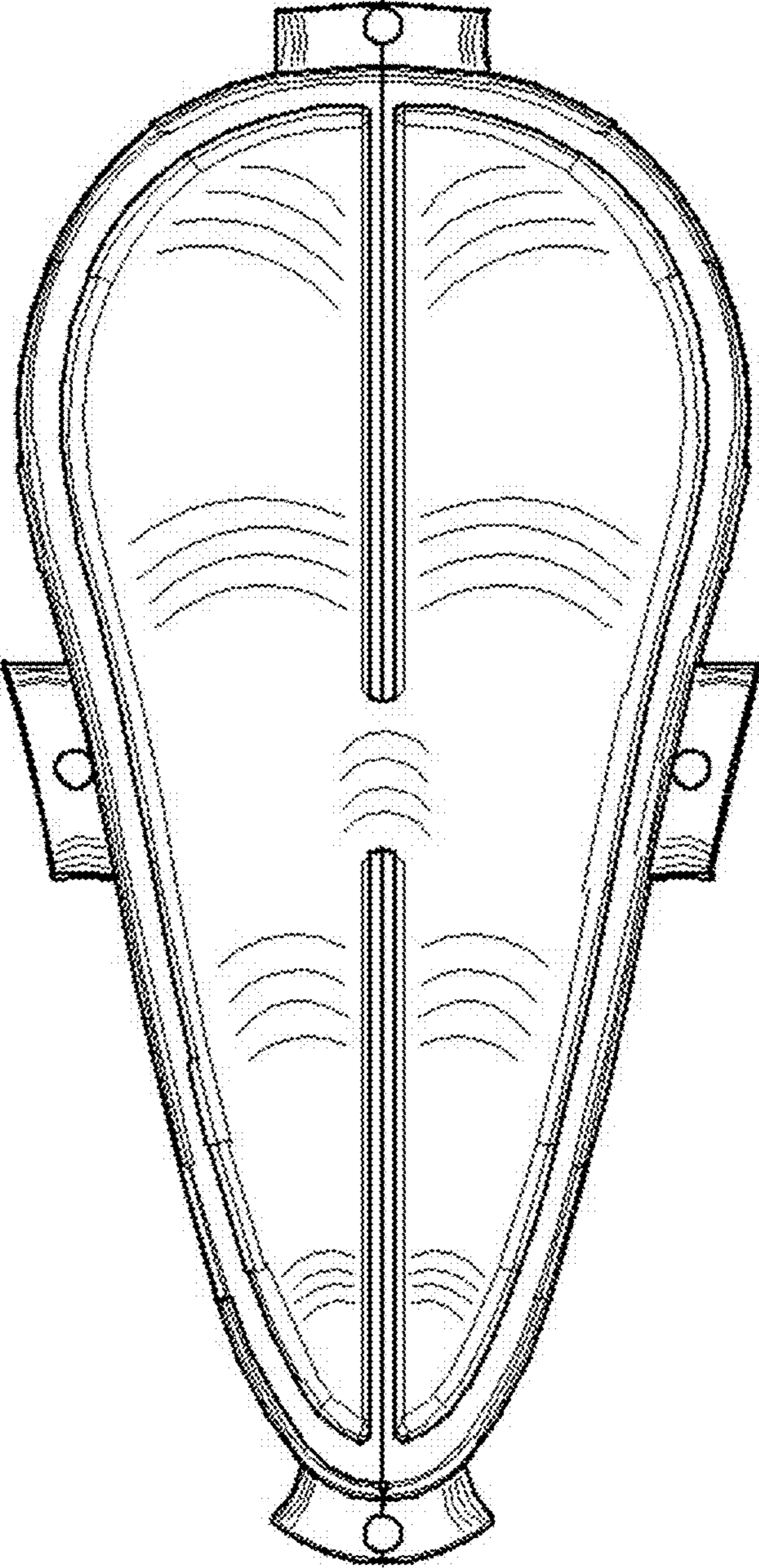
*Fig. 1*



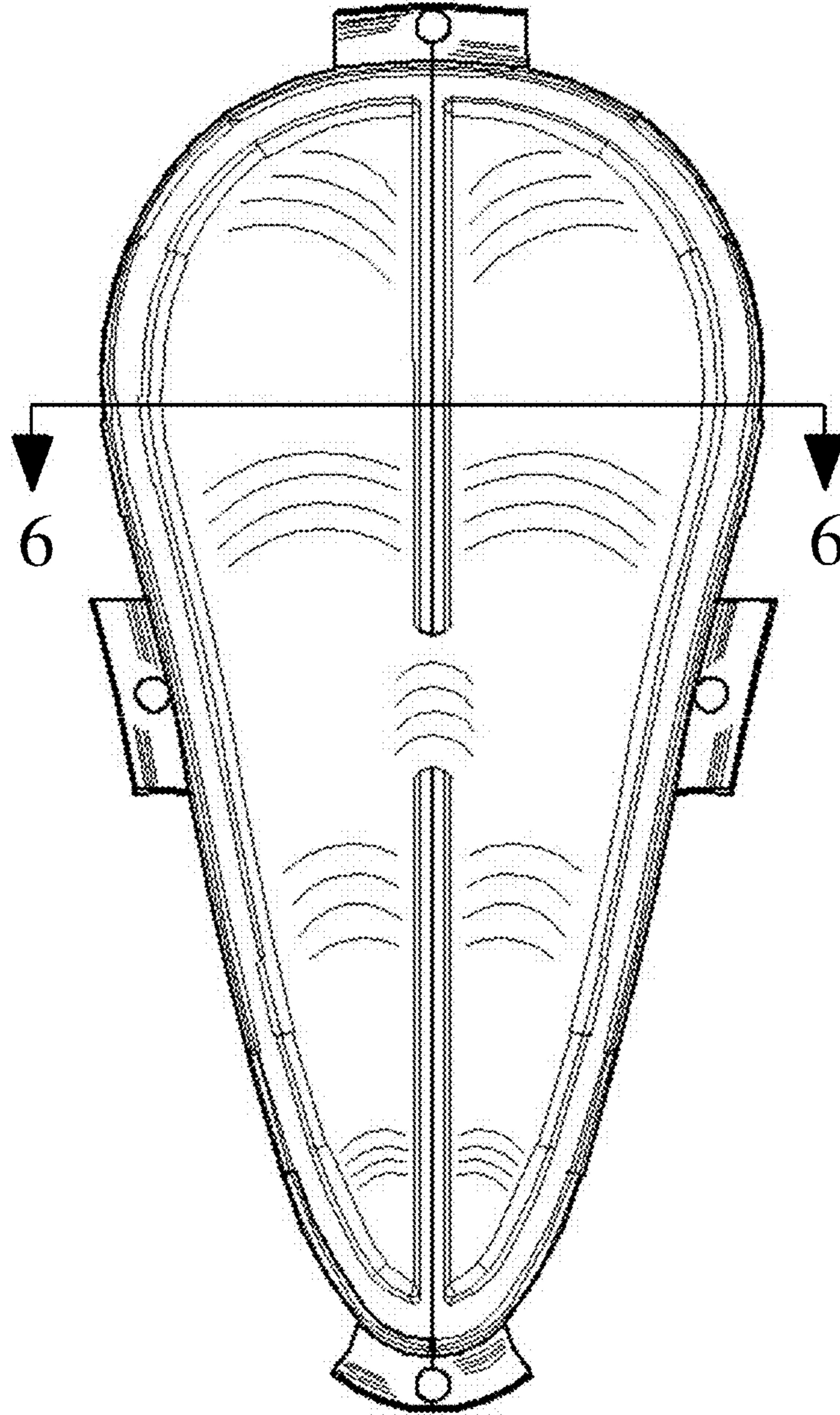
*Fig. 2*



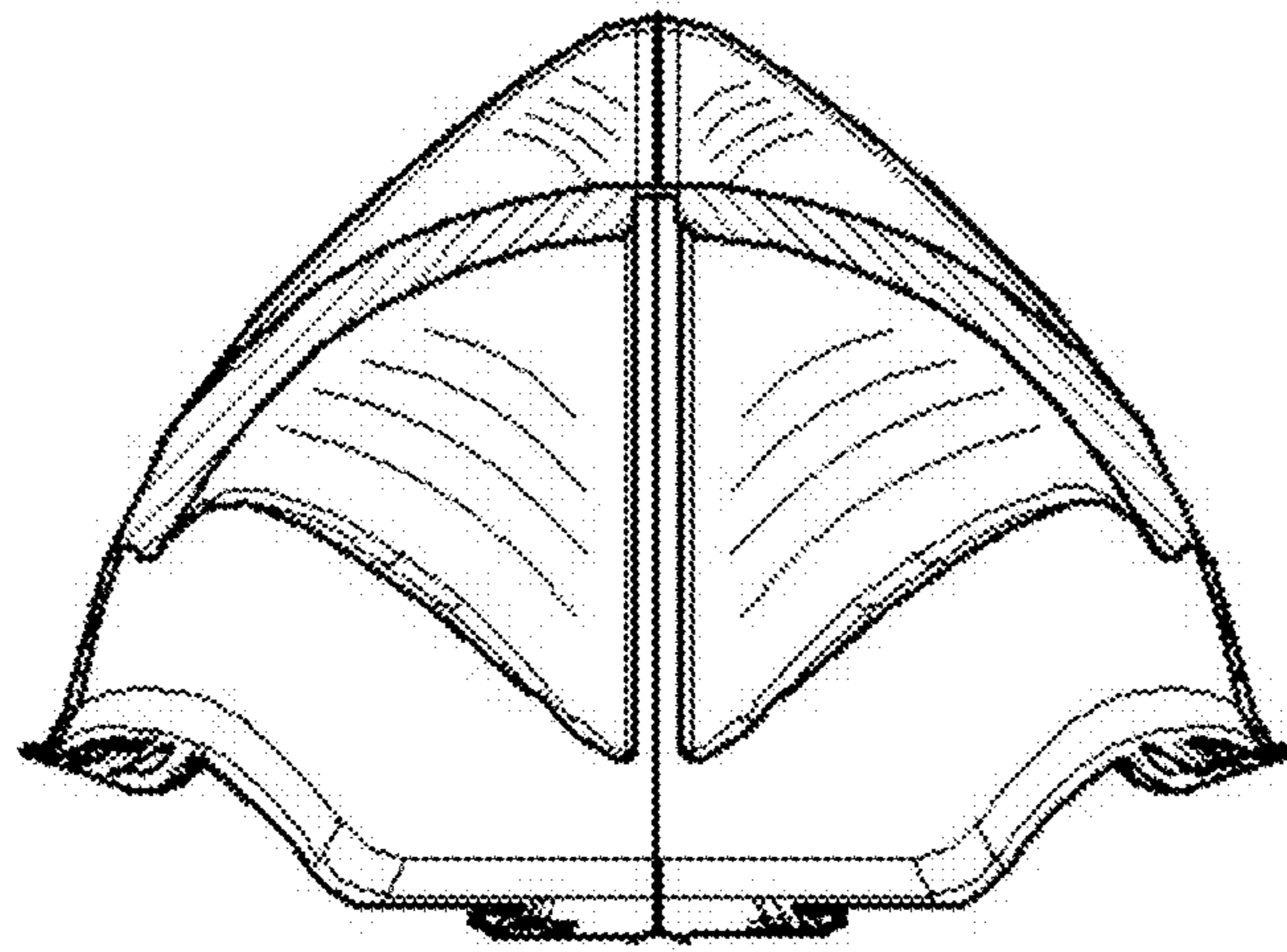
*Fig. 3*



*Fig. 4*



*Fig. 5*



*Fig. 6*