



US00D772482S

(12) **United States Design Patent** (10) **Patent No.:** **US D772,482 S**
Crawford (45) **Date of Patent:** **** Nov. 22, 2016**

(54) **SOAP BAR** D467,385 S 12/2002 Crawford
D470,385 S 2/2003 Chen
(71) Applicant: **COLGATE-PALMOLIVE** D478,394 S * 8/2003 McLeish D28/8.1
COMPANY, New York, NY (US) D520,186 S * 5/2006 Caroen D28/8.1
D547,492 S * 7/2007 Caroen D28/8.1
(72) Inventor: **John C. Crawford, Mahopac, NY (US)** 7,428,965 B2 * 9/2008 Johnson B65D 75/08
206/77.1
(73) Assignee: **Colgate-Palmolive Company, New** D624,696 S * 9/2010 Hsiao D24/125
York, NY (US) 7,867,964 B2 * 1/2011 McFann C11D 9/02
510/141
(**) Term: **15 Years** D665,945 S * 8/2012 Macias D28/8.1
D743,100 S * 11/2015 Crawford D28/8.1
D752,809 S * 3/2016 Crawford D28/8.1
(21) Appl. No.: **29/557,143** 2009/0192070 A1 * 7/2009 Feng C11D 13/14
510/449
(22) Filed: **Mar. 7, 2016**

FOREIGN PATENT DOCUMENTS

AR 81924 10/2011
BR DI 7100077-1 10/2011
CD 002023226-0001 4/2012
MX 16178 10/2000
WO DM/053532 10/2000
WO DM/075416 2/2011

* cited by examiner

Primary Examiner — Jennifer Rivard

(57) **CLAIM**

The ornamental design for a soap bar, as shown and described.

DESCRIPTION

FIG. 1 is a front perspective view of a soap bar according to the new design;
FIG. 2 is a rear perspective view thereof;
FIG. 3 is a front view thereof;
FIG. 4 is a rear view thereof;
FIG. 5 is a left side view thereof;
FIG. 6 is a right side view thereof;
FIG. 7 is a top plan view thereof; and,
FIG. 8 is a bottom plan view thereof.

1 Claim, 5 Drawing Sheets

Related U.S. Application Data

(62) Division of application No. 29/501,345, filed on Sep. 3, 2014, now Pat. No. Des. 752,809.

(51) **LOC (10) Cl.** **28-02**

(52) **U.S. Cl.**
USPC **D28/8.1**

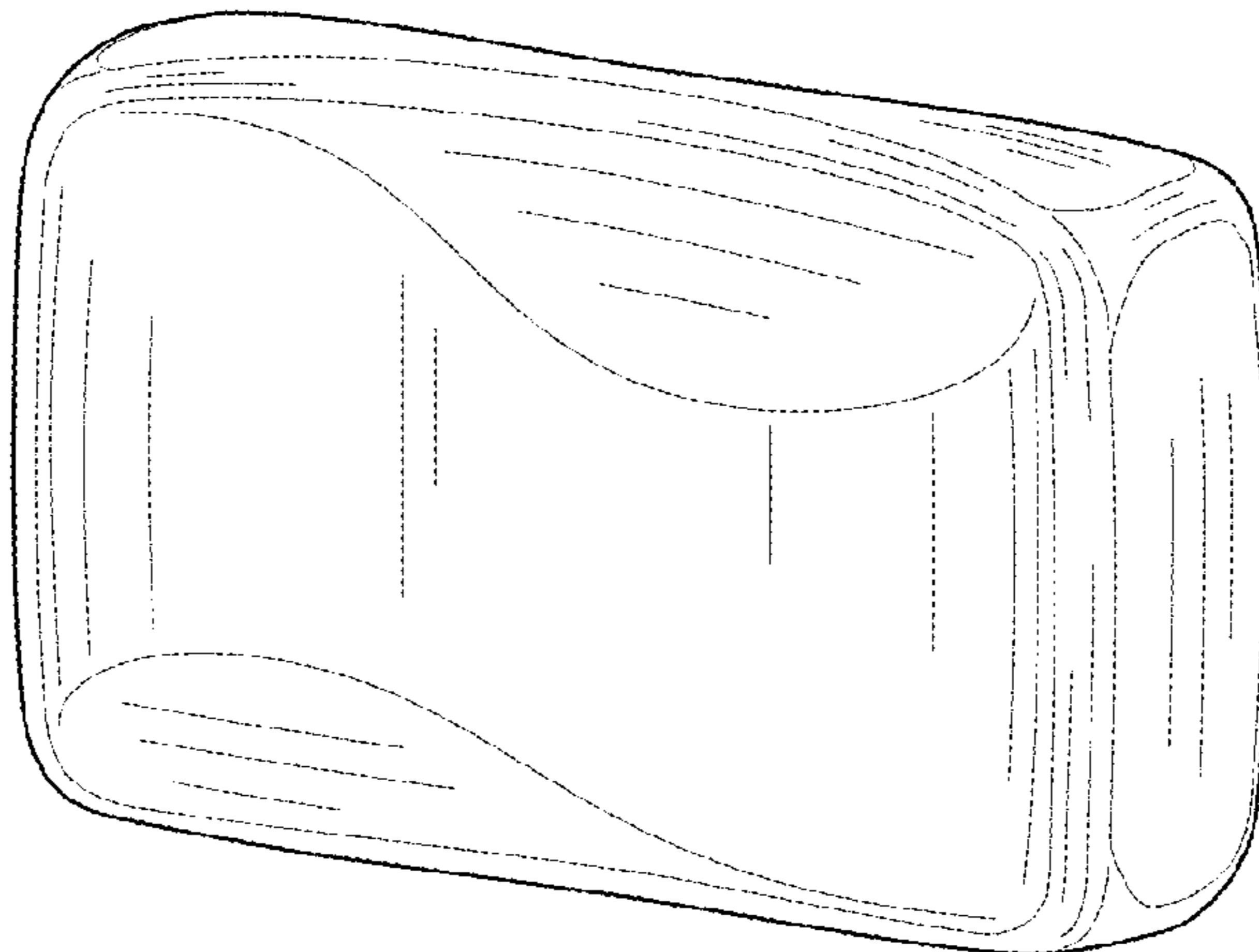
(58) **Field of Classification Search**
USPC 510/141, 147, 148; D28/8.1-8.2
CPC C11D 17/00; C11D 17/0017; C11D
17/0026; C11D 17/0047-17/0095; C11D
13/16; C11D 13/18; C11D 13/20; C11D
17/02

See application file for complete search history.

(56) **References Cited**

U.S. PATENT DOCUMENTS

D51,395 S 10/1917 Schwartzberg
D201,228 S * 5/1965 Horne D24/101
D201,229 S * 5/1965 Burke D24/101
D204,648 S 5/1966 Bonardi
D209,881 S * 1/1968 Vanderhyde D28/8.1
D210,709 S 4/1968 Douglas
D348,541 S 7/1994 Crawford
D352,364 S * 11/1994 Dietz D28/8.1
D356,474 S 3/1995 Chow



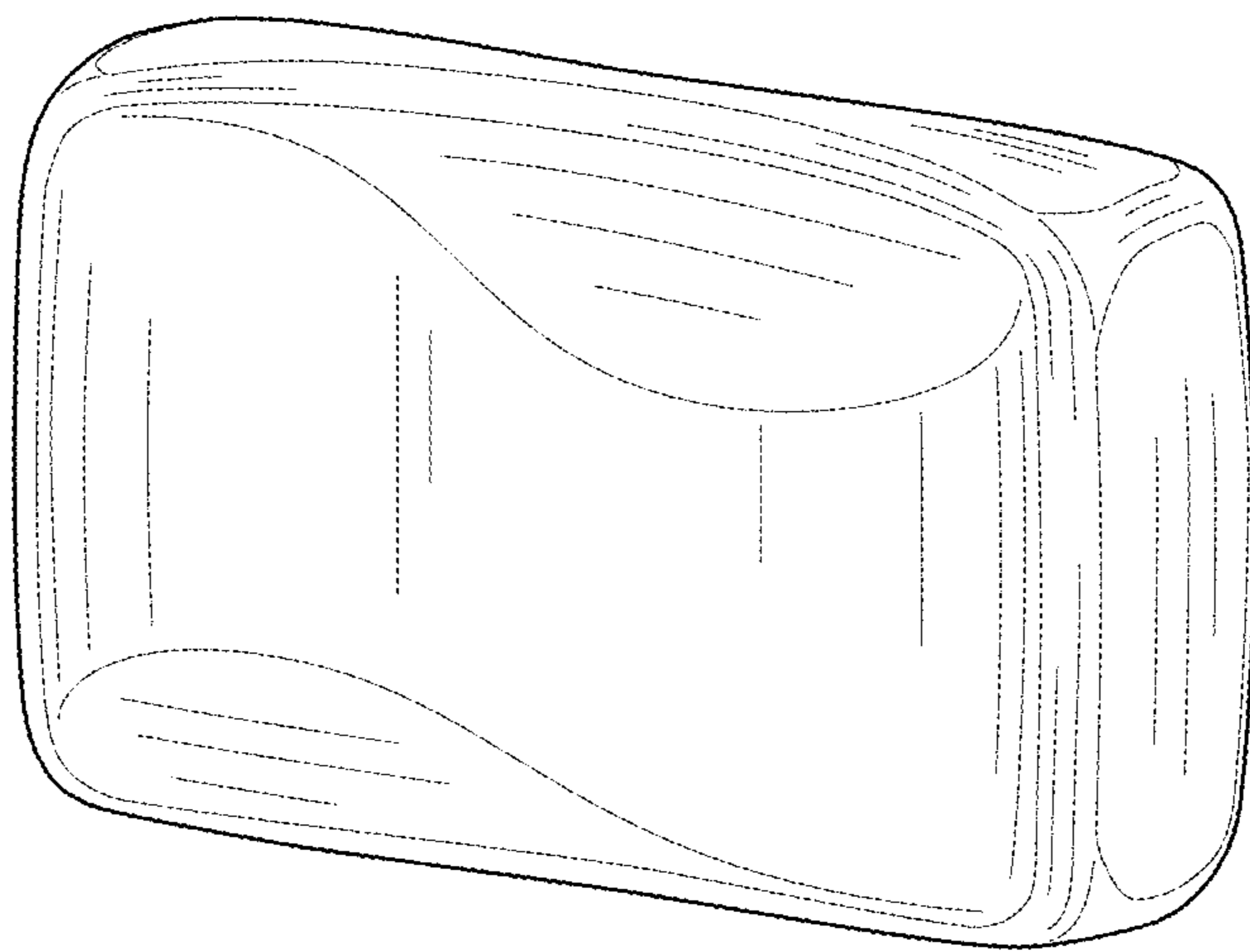


FIG. 1

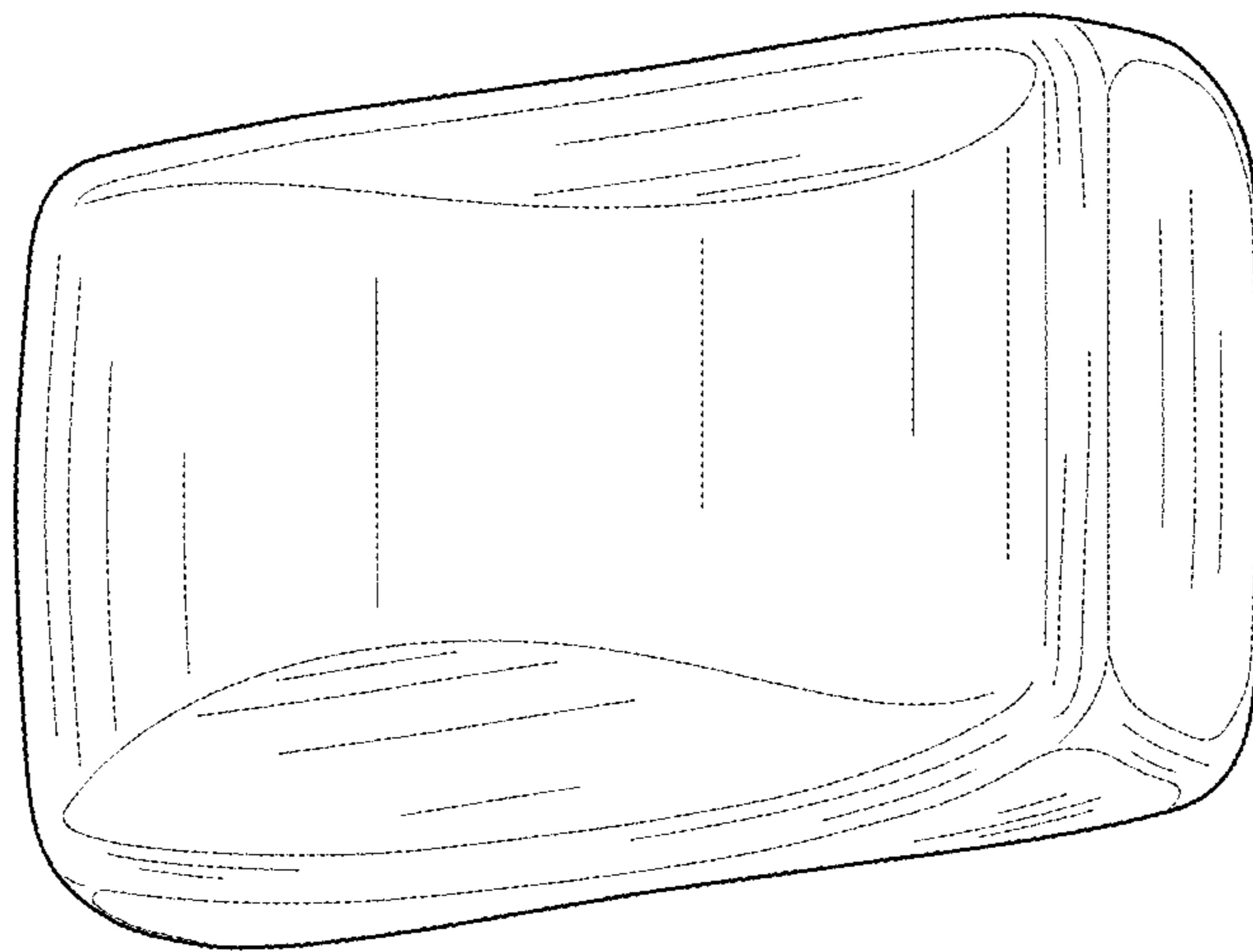


FIG. 2

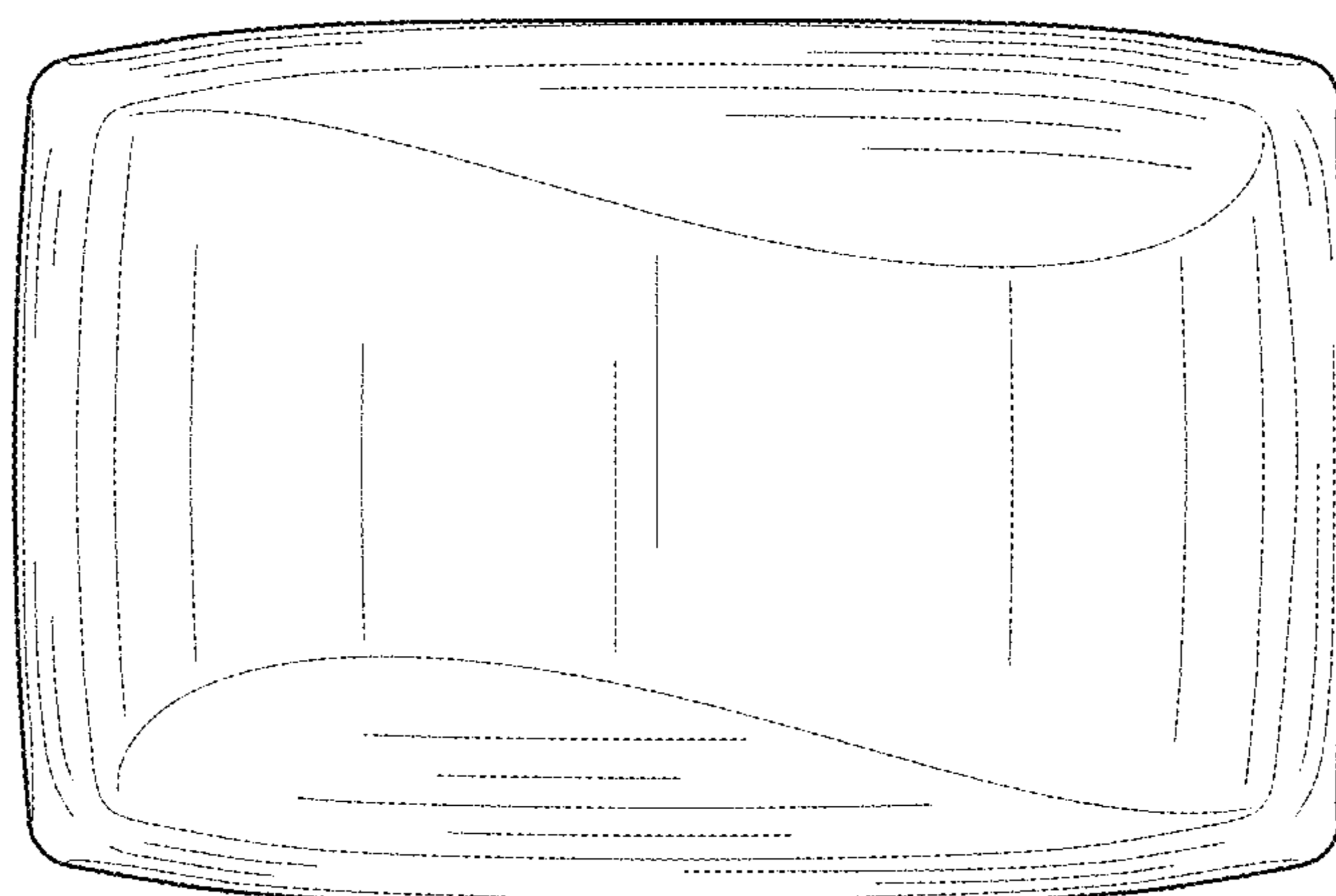


FIG. 3

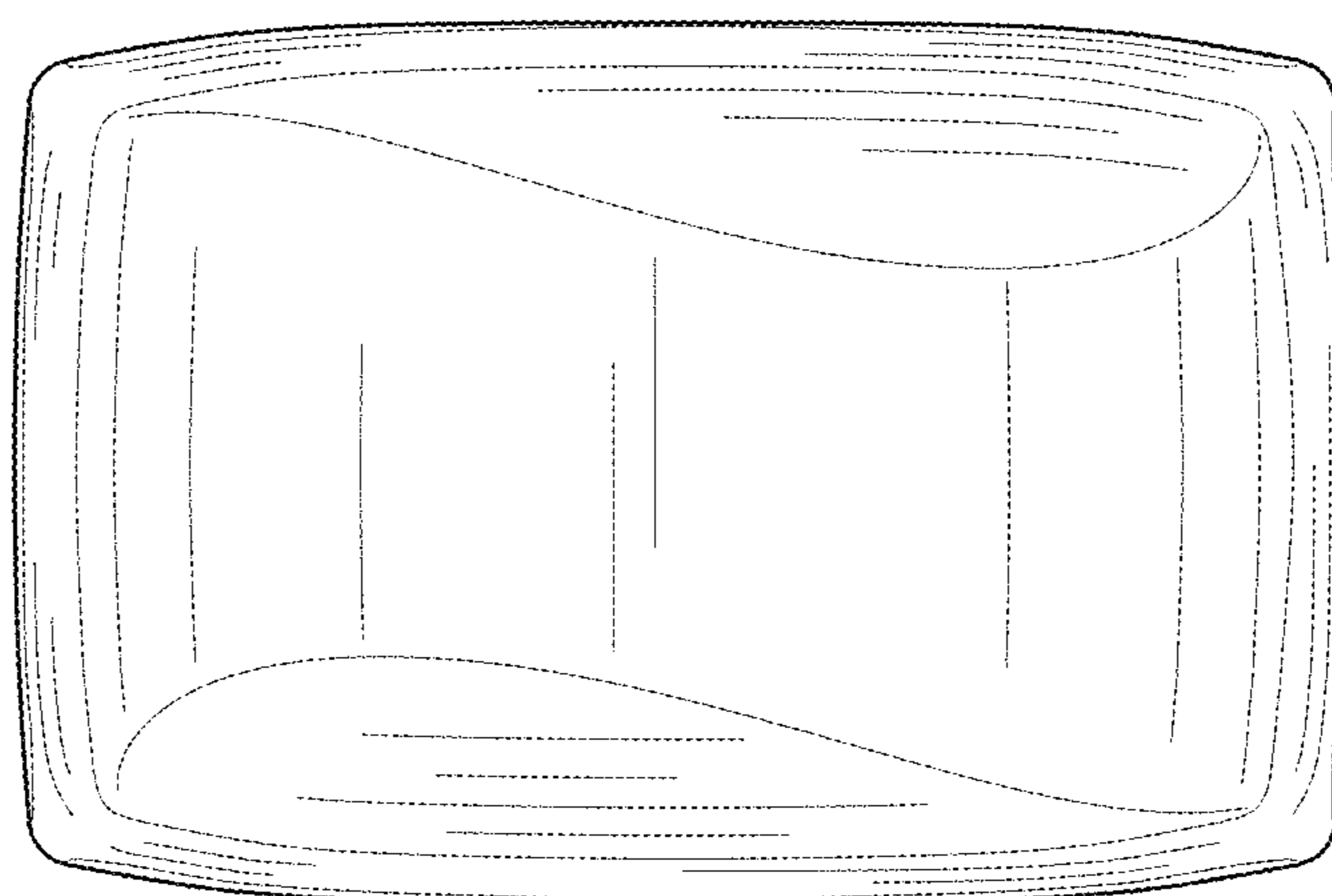


FIG. 4

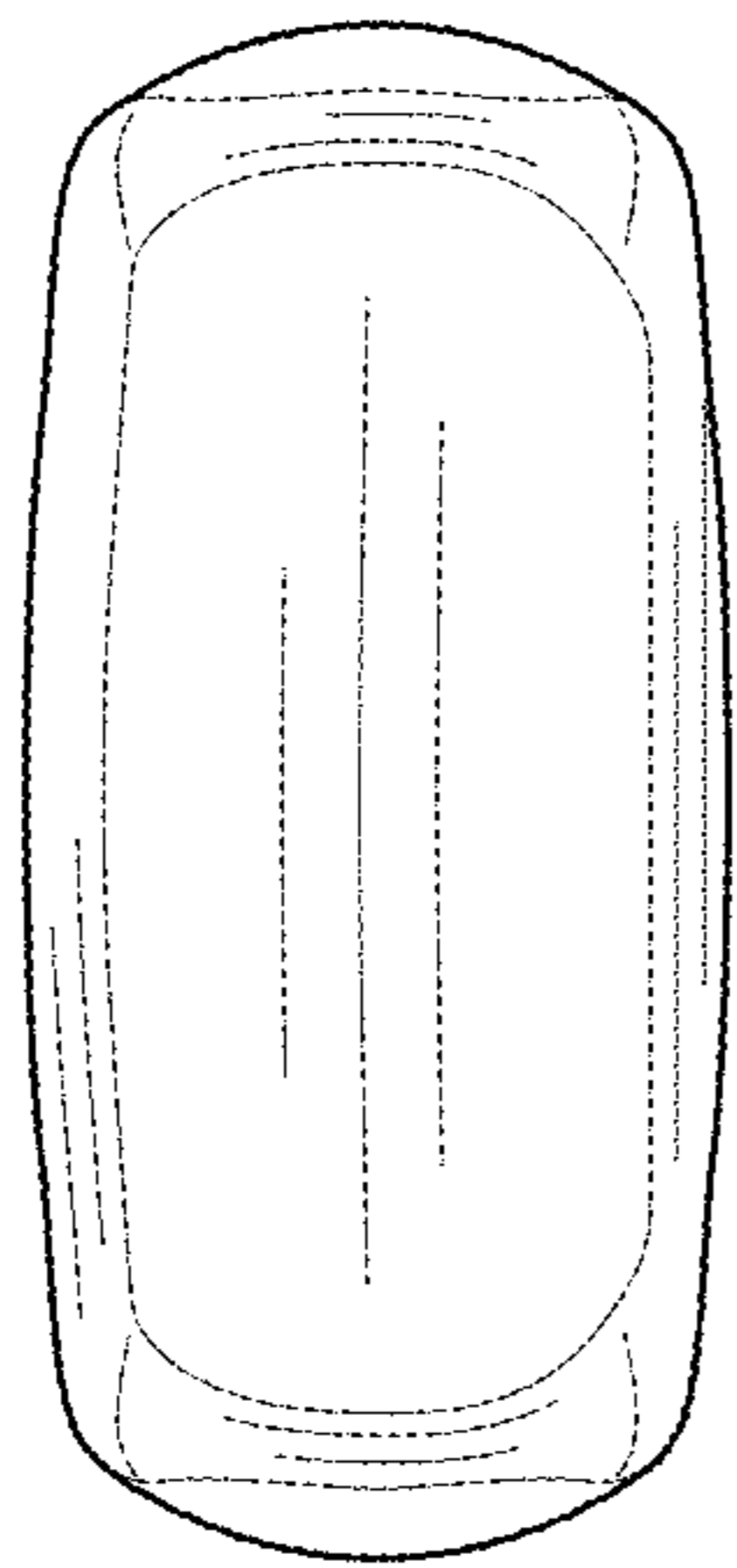


FIG. 5

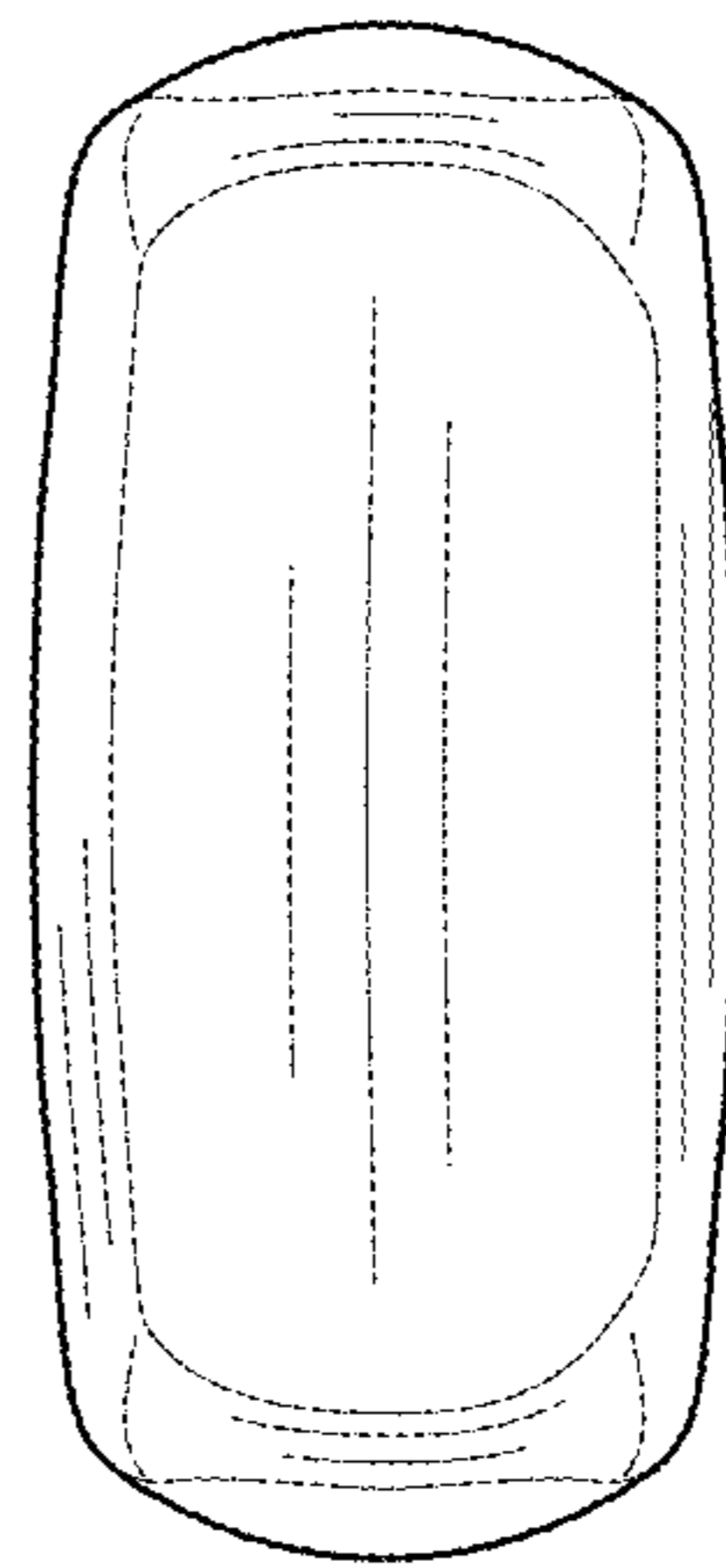


FIG. 6

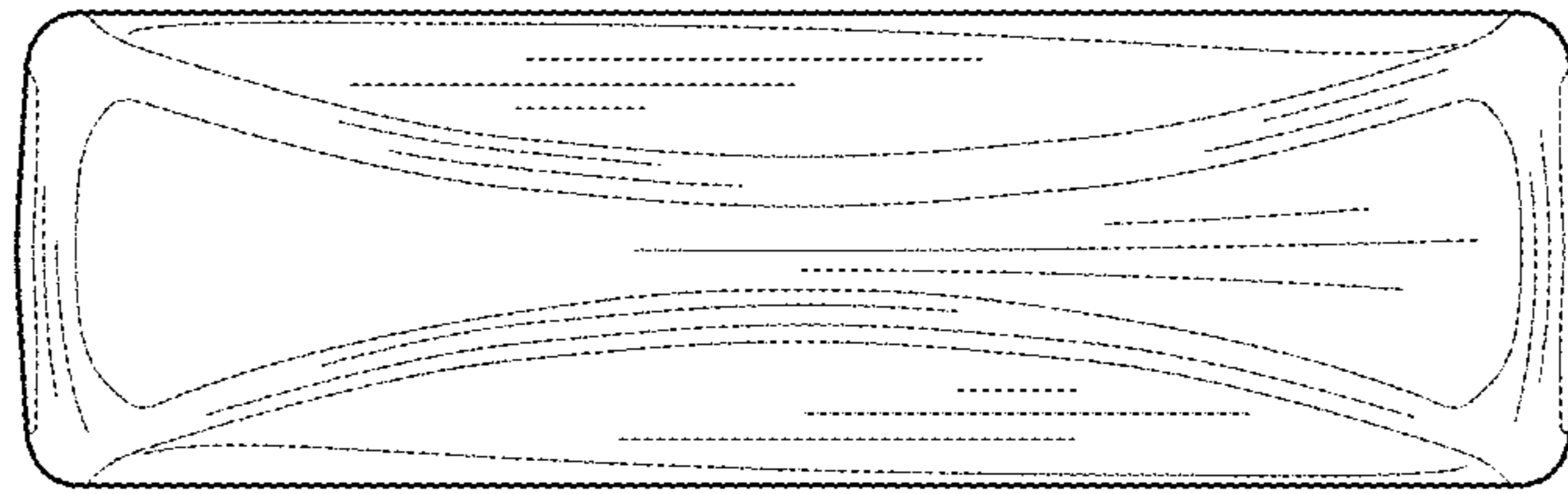


FIG. 7

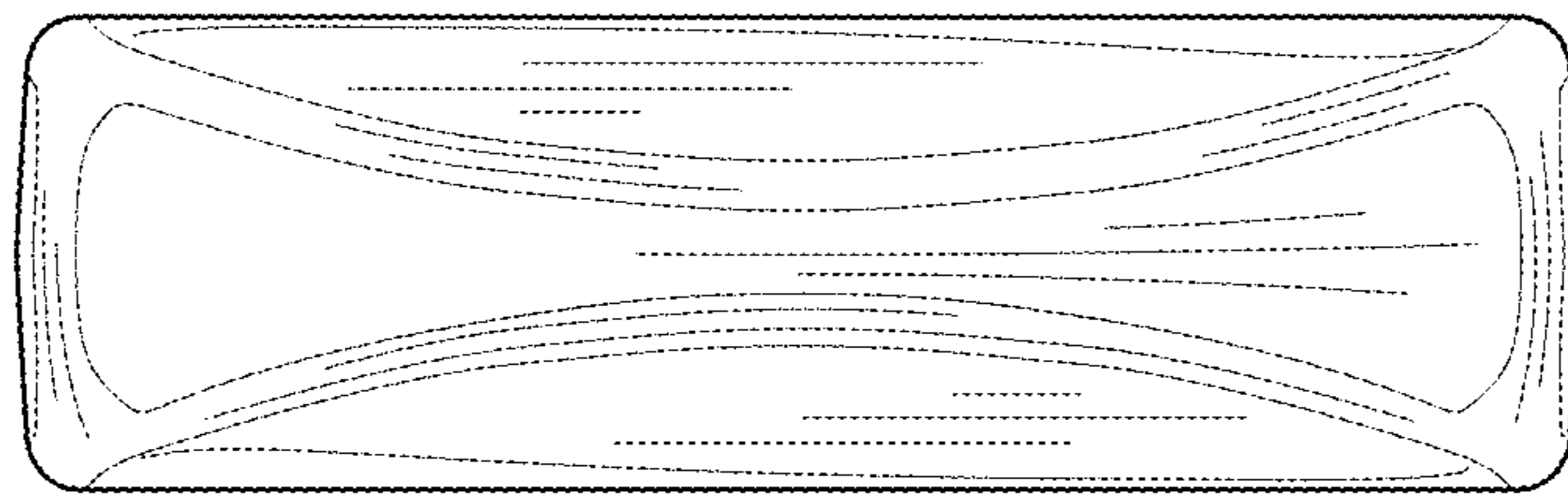


FIG. 8