



US00D772481S

(12) **United States Design Patent** (10) **Patent No.:** **US D772,481 S**
Paquet (45) **Date of Patent:** **** Nov. 22, 2016**

(54) **APPLICATOR**
(71) Applicant: **Ken Paquet**, North York (CA)
(72) Inventor: **Ken Paquet**, North York (CA)
(73) Assignee: **Intel Plastics Inc.**, Toronto, Ontario (CA)
(**) Term: **15 Years**
(21) Appl. No.: **29/505,529**

D651,903 S 1/2012 Teller
8,215,857 B2 7/2012 Carroll
8,444,337 B2 5/2013 Teller
D694,112 S * 11/2013 Brown D9/428
D699,112 S * 2/2014 Jung D28/76
8,651,308 B1 2/2014 Sung
D708,790 S * 7/2014 Schlatter D28/89
D709,652 S 7/2014 Teller
D728,382 S * 5/2015 Goswell D9/504
D733,967 S * 7/2015 Schlatter D28/85
D734,894 S * 7/2015 Schlatter D28/76
D739,741 S * 9/2015 Staab D9/454
D756,037 S * 5/2016 Schlatter D28/85
D765,512 S * 9/2016 Joulia D28/7

(22) Filed: **Dec. 7, 2015**
(51) **LOC (10) Cl.** **28-03**
(52) **U.S. Cl.**
USPC **D28/7; D28/85; D9/428; D9/503**
(58) **Field of Classification Search**
USPC D28/4, 76, 77, 85, 86, 87, 88, 89, 90;
D9/651, 737, 738, 516, 522, 529, 549,
D9/551, 553, 555, 560, 559, 564, 566, 504,
D9/432, 726, 502, 530
CPC A45D 33/00; A45D 33/14; A45D 34/06;
A45D 40/02; A45D 40/06; A45D 40/20
See application file for complete search history.

FOREIGN PATENT DOCUMENTS

WO WO 02/03830 A1 1/2002
WO WO 2015/177669 11/2015

* cited by examiner

Primary Examiner — Jennifer Rivard
Assistant Examiner — April Rivas

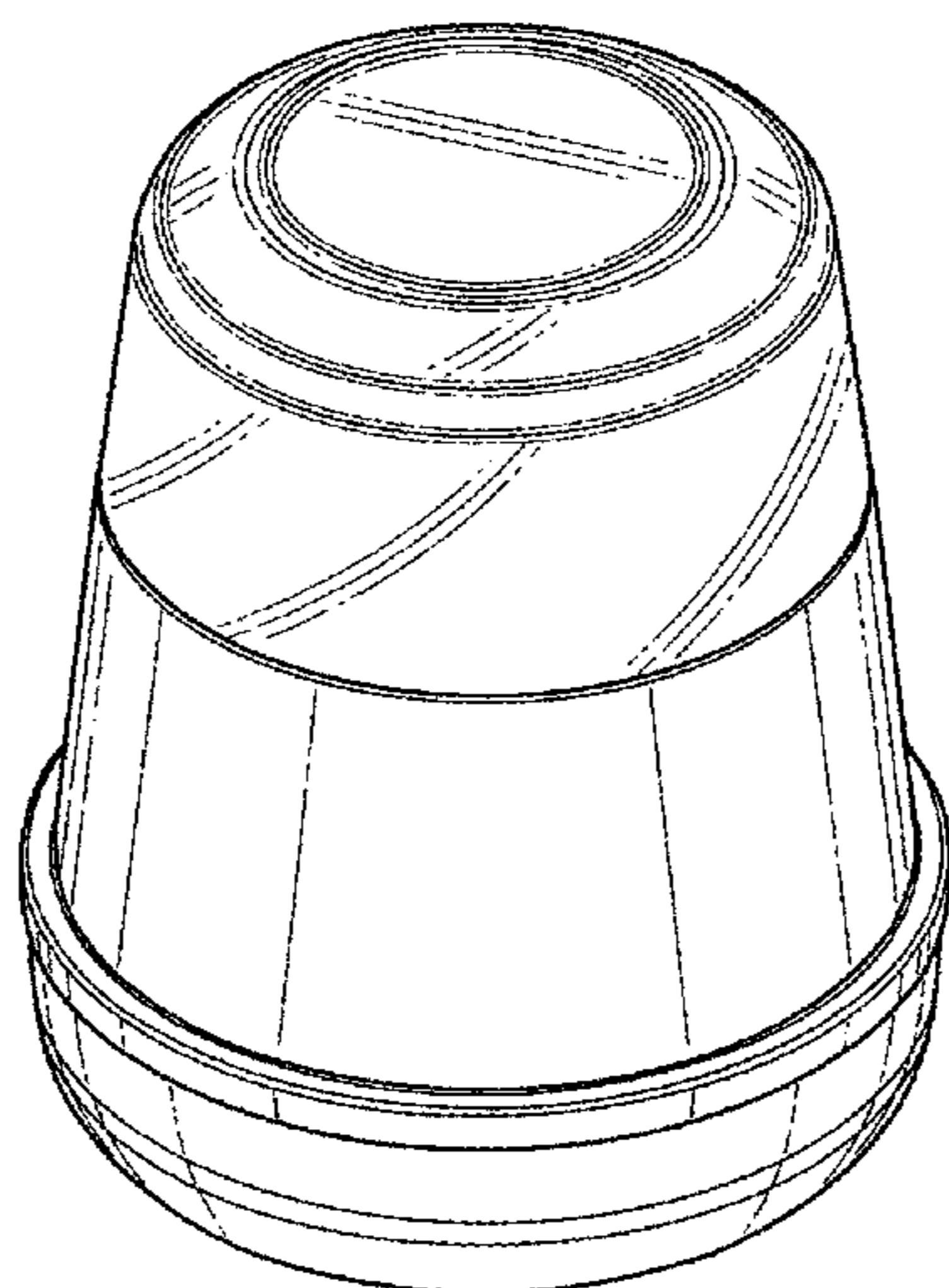
(57) **CLAIM**
I claim the ornamental design for an applicator, as shown and described.

DESCRIPTION

FIG. 1 is a top isometric view of an applicator showing my new design;
FIG. 2 is a bottom isometric view thereof;
FIG. 3 is a front elevational view thereof, the rear elevational view being identical;
FIG. 4 is a left side view thereof, the right side view being identical;
FIG. 5 is a top plan view thereof;
FIG. 6 is a bottom plan view thereof; and,
FIG. 7 is an exploded front view thereof.
The broken lines illustrate environment and form no part of the claimed design.

1 Claim, 5 Drawing Sheets

(56) **References Cited**
U.S. PATENT DOCUMENTS
D210,057 S * 1/1968 Pfrommer D28/76
D229,120 S * 11/1973 Bell D26/49
5,800,086 A 9/1998 Piscopo et al.
5,897,263 A 4/1999 Fattori
5,988,424 A * 11/1999 Kovens B65D 43/169
206/540
6,193,427 B1 2/2001 Benguigui
7,021,849 B2 4/2006 Ramet
D593,372 S * 6/2009 Carreno D7/608
D618,397 S 6/2010 Dubitsky
D625,469 S 10/2010 Dubitsky
D631,204 S 1/2011 Dubitsky
7,997,461 B2 8/2011 Lester et al.
D644,939 S 9/2011 Teller



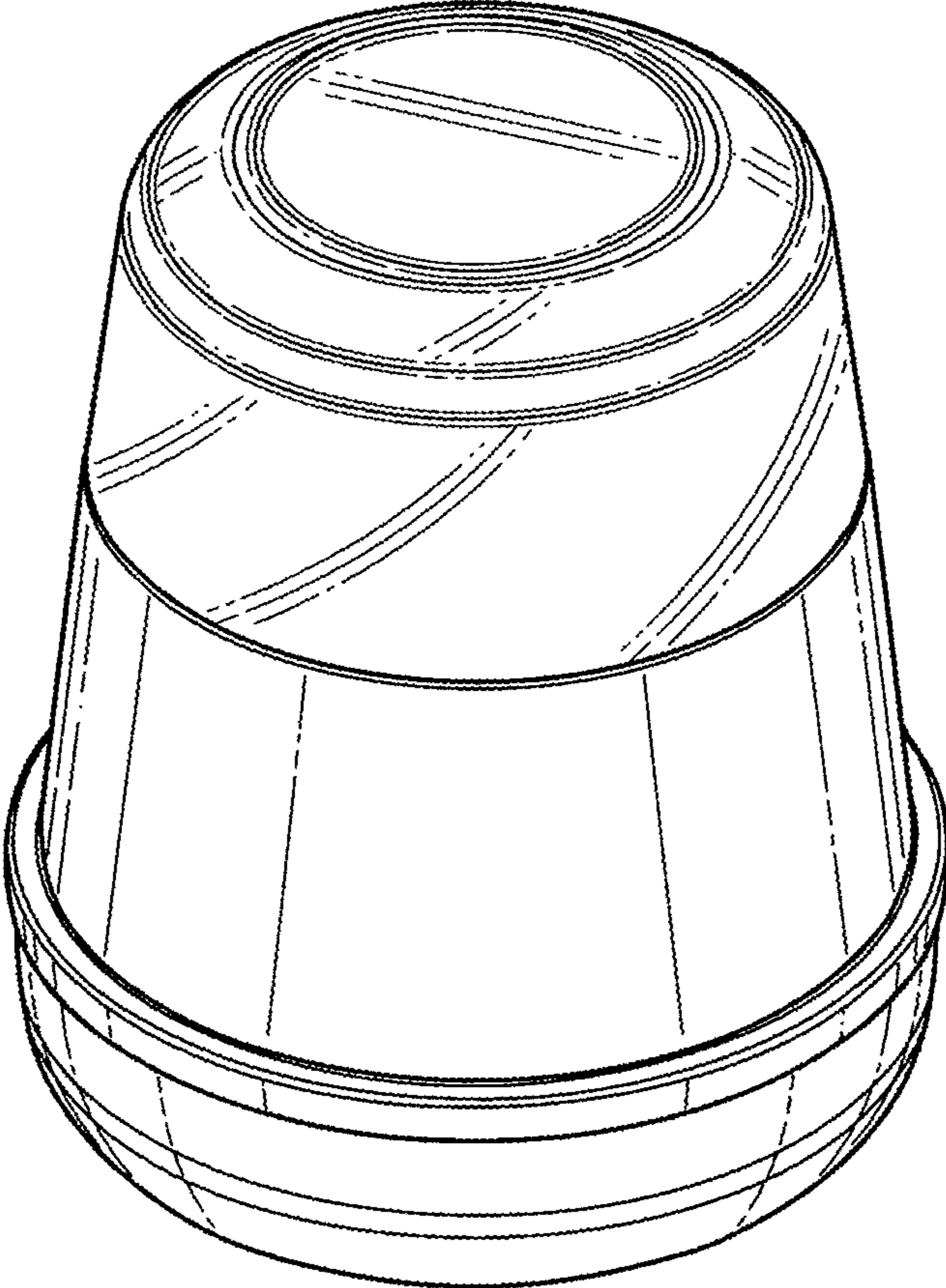


FIG. 1

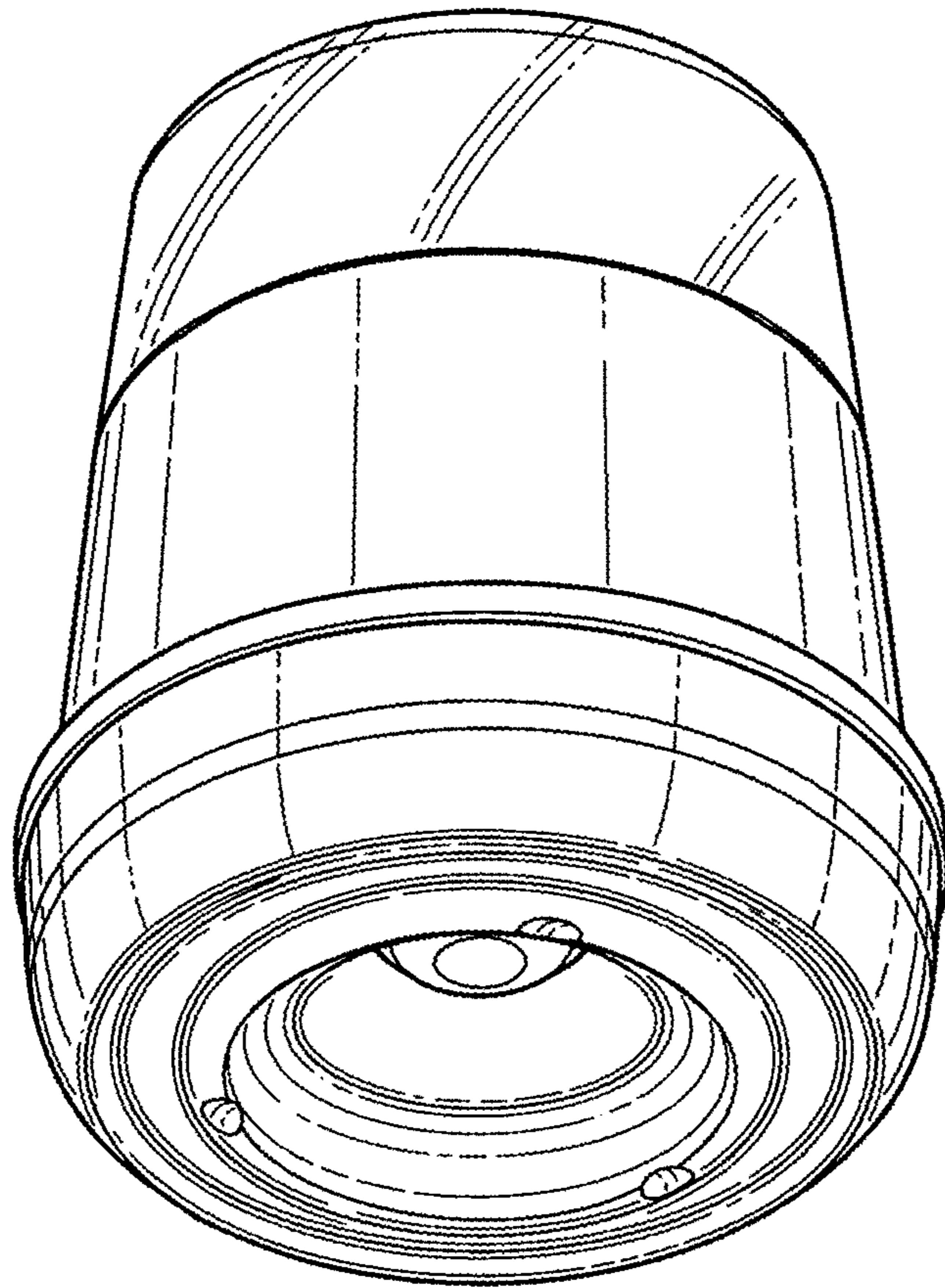


FIG. 2

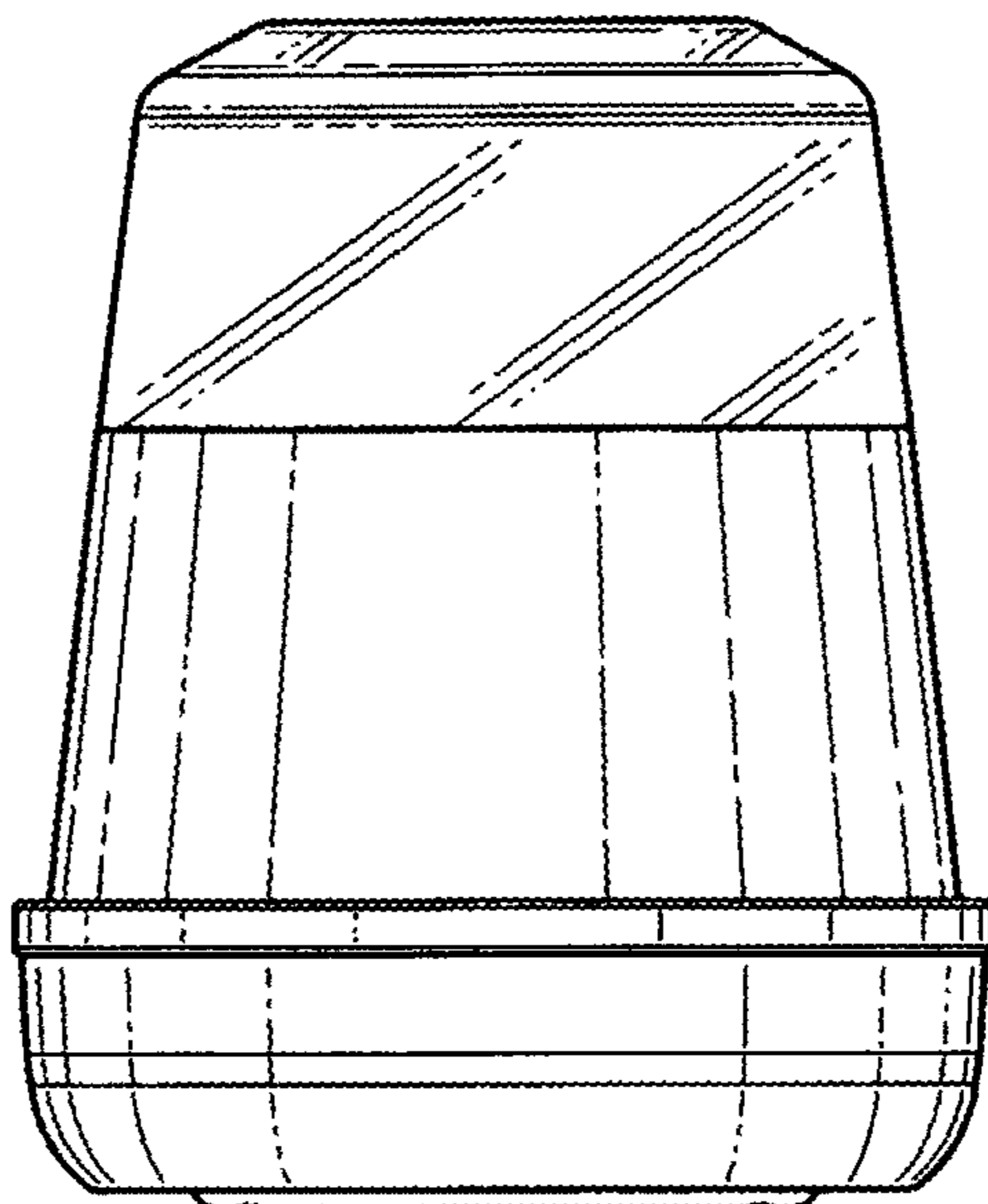


FIG. 3

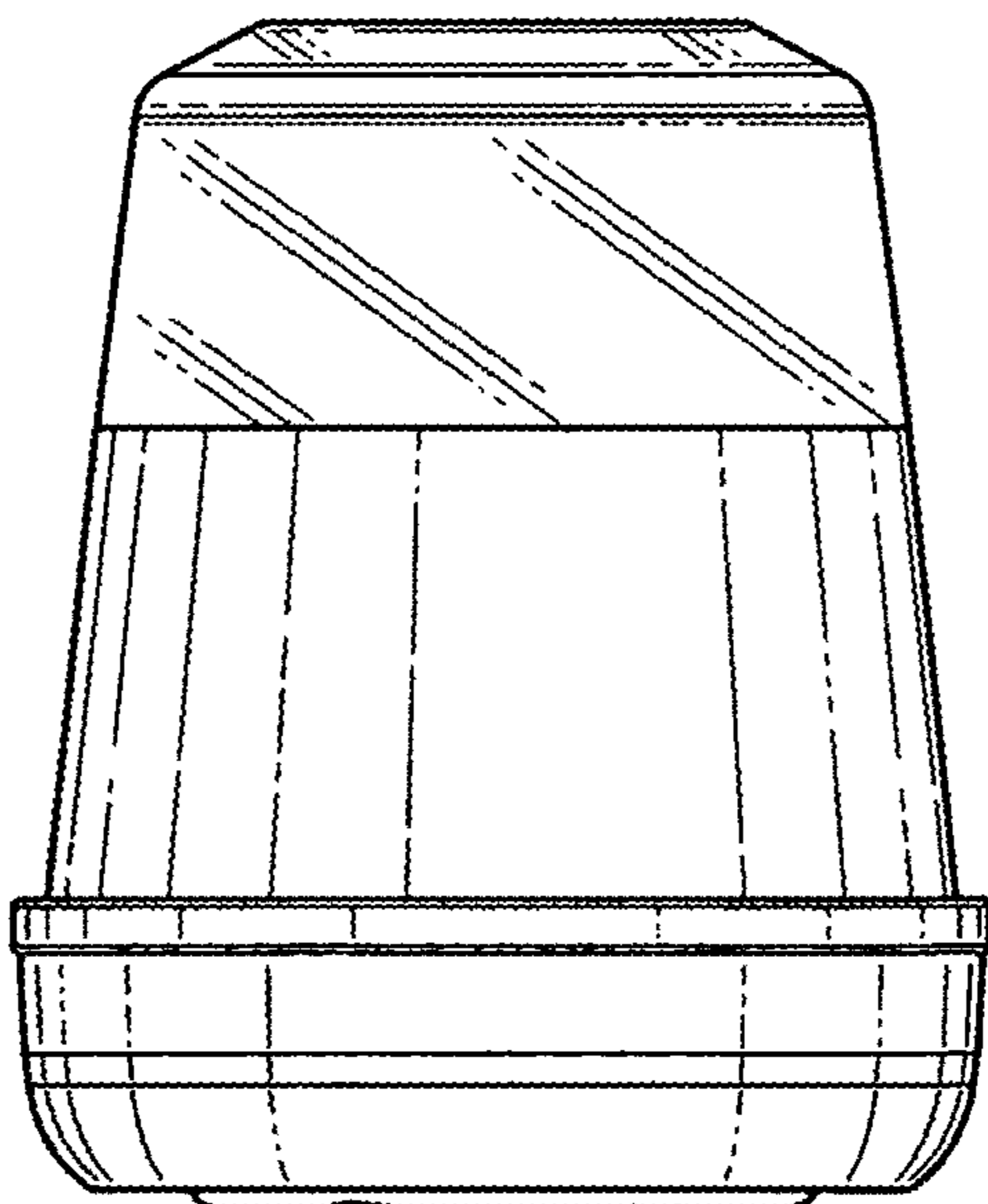


FIG. 4

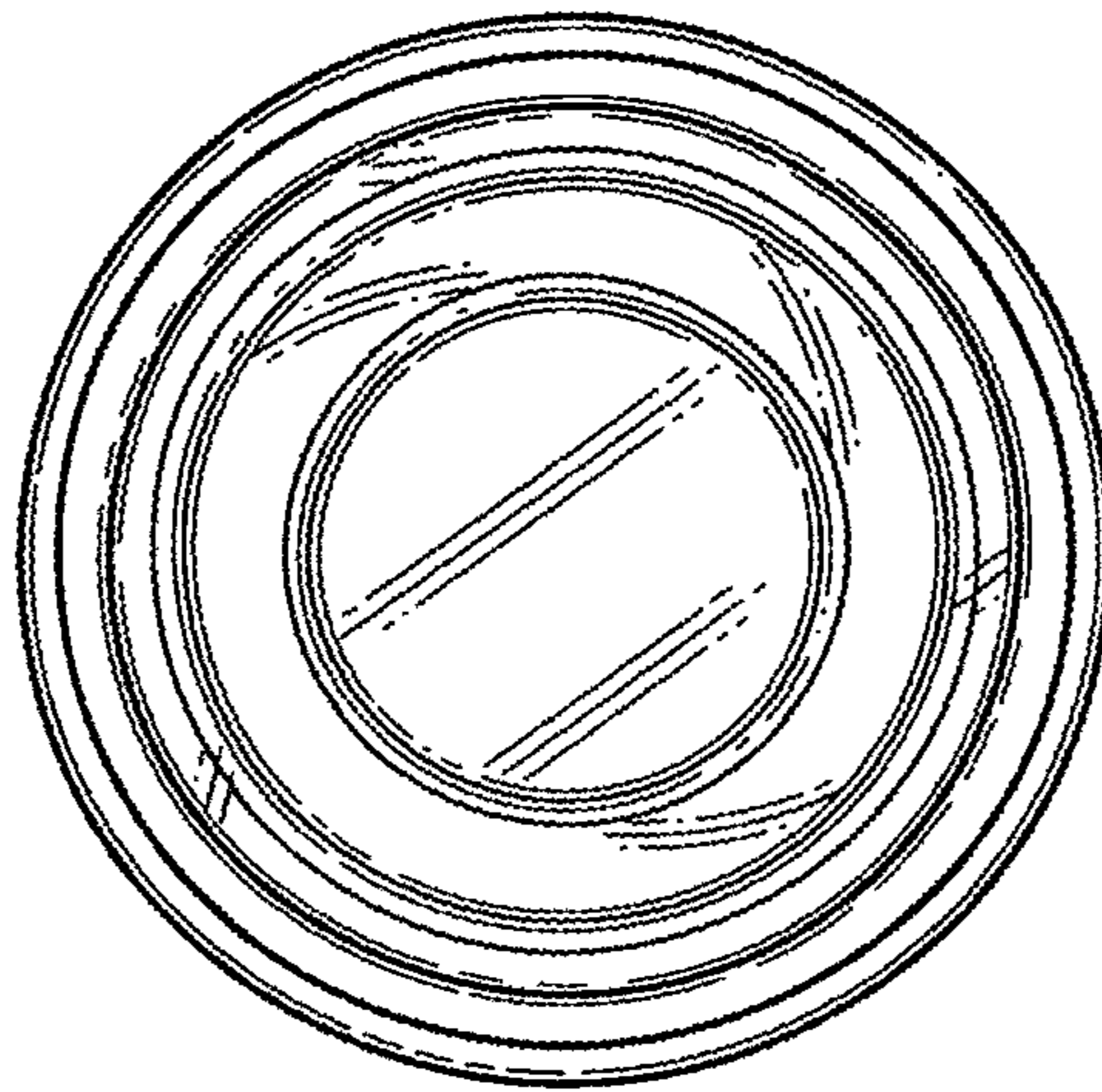


FIG. 5

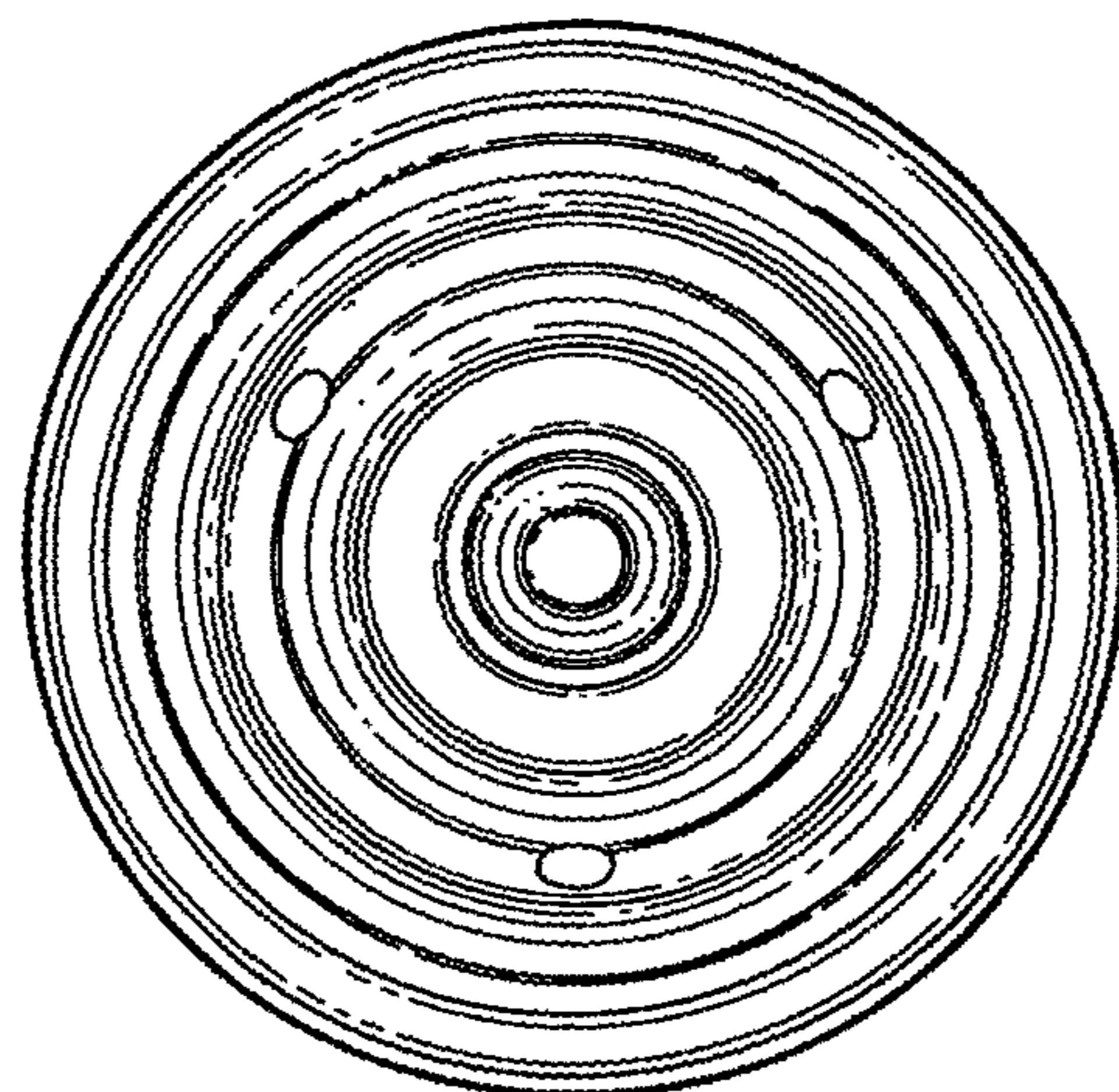


FIG. 6

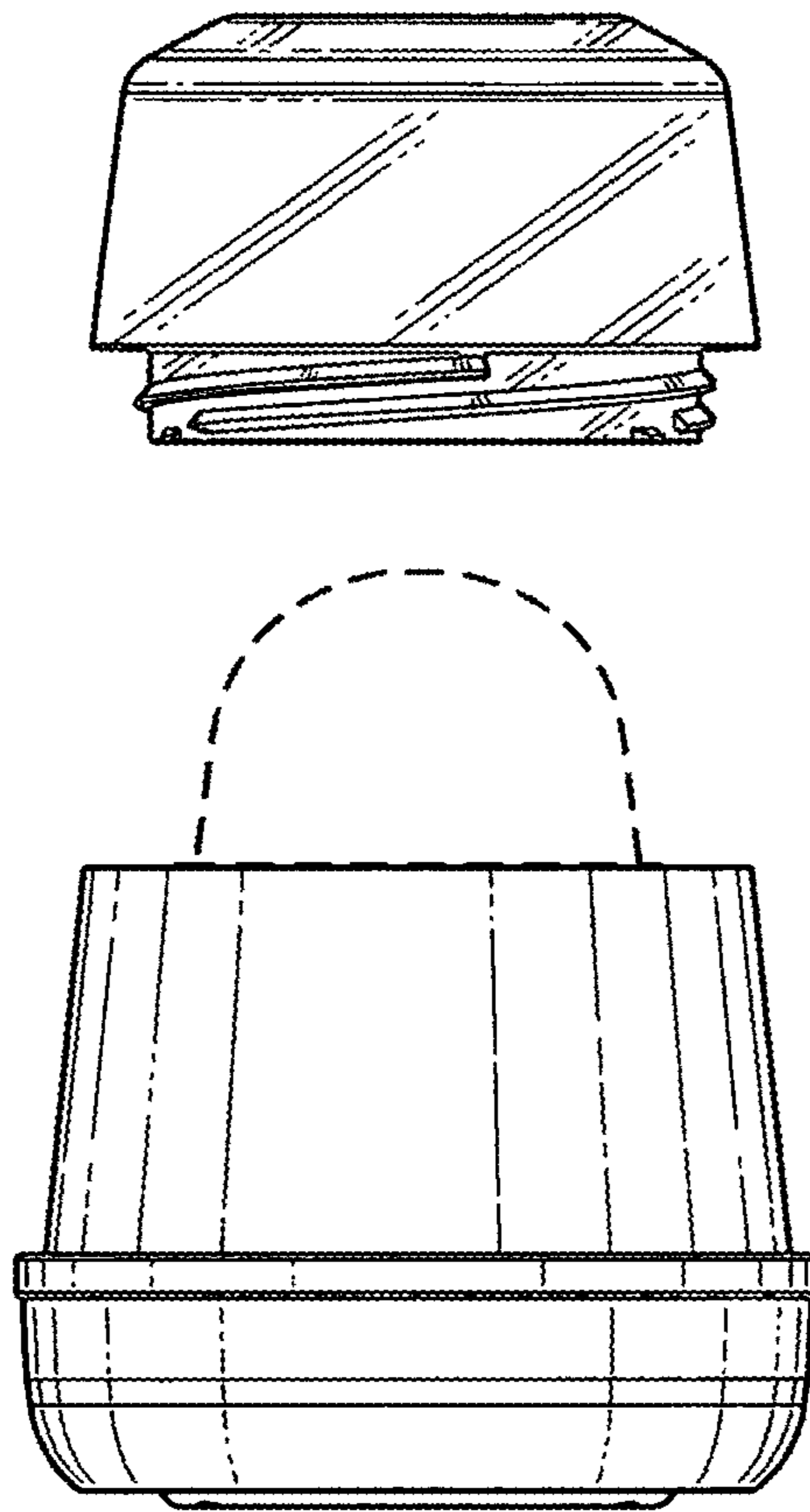


FIG. 7