



US00D772479S

(12) **United States Design Patent** (10) **Patent No.:** **US D772,479 S**
Stowers et al. (45) **Date of Patent:** **** Nov. 22, 2016**

- (54) **TOP CAP FOR AN ELECTRONIC CIGARETTE**
- (71) Applicants: **Joseph W. Stowers**, Anderson, IN (US); **Catherine Chiarelli**, Prescott, AZ (US)
- (72) Inventors: **Joseph W. Stowers**, Anderson, IN (US); **Catherine Chiarelli**, Prescott, AZ (US)
- (**) Term: **15 Years**
- (21) Appl. No.: **29/550,655**
- (22) Filed: **Jan. 6, 2016**

D72,012 S *	2/1927	Gurnee	D27/170
1,671,960 A *	6/1928	Anchor	A24F 13/02 131/178
D86,086 S *	1/1932	Johnston	D27/170
3,204,643 A *	9/1965	Redford	A24F 13/06 131/187
3,348,553 A *	10/1967	Huber	A24F 13/06 131/194
D483,148 S *	12/2003	Merideth	D27/170
D485,639 S *	1/2004	Stronski	D27/170
D588,741 S *	3/2009	Murdaugh, III	D27/169
D724,780 S *	3/2015	Wu	D27/101
D728,156 S *	4/2015	Wu	D27/101
D747,549 S *	1/2016	Stowers	D27/167
2013/0180533 A1 *	7/2013	Kim	A24F 47/008 131/273
2015/0090253 A1 *	4/2015	Farrow	A24F 47/008 128/200.14

* cited by examiner

Related U.S. Application Data

- (62) Division of application No. 29/480,945, filed on Jan. 30, 2014, now Pat. No. Des. 747,549.
- (51) **LOC (10) Cl.** **27-02**
- (52) **U.S. Cl.**
USPC **D27/170; D27/167**
- (58) **Field of Classification Search**
USPC D27/101, 162, 163, 167, 169, 170, 172, 131/183, 193, 194; 131/71, 76, 175, 187, 131/191, 258, 270, 273, 361; D24/110
CPC A24F 7/00; A24F 7/02; A24F 7/04
See application file for complete search history.

Primary Examiner — Susan Bennett Hattan
Assistant Examiner — Janice Hallmark
 (74) *Attorney, Agent, or Firm* — Taft Stettinius & Hollister LLP; Ryan O. White

(57) **CLAIM**

The ornamental design for the top cap for an electronic cigarette, as shown and described.

DESCRIPTION

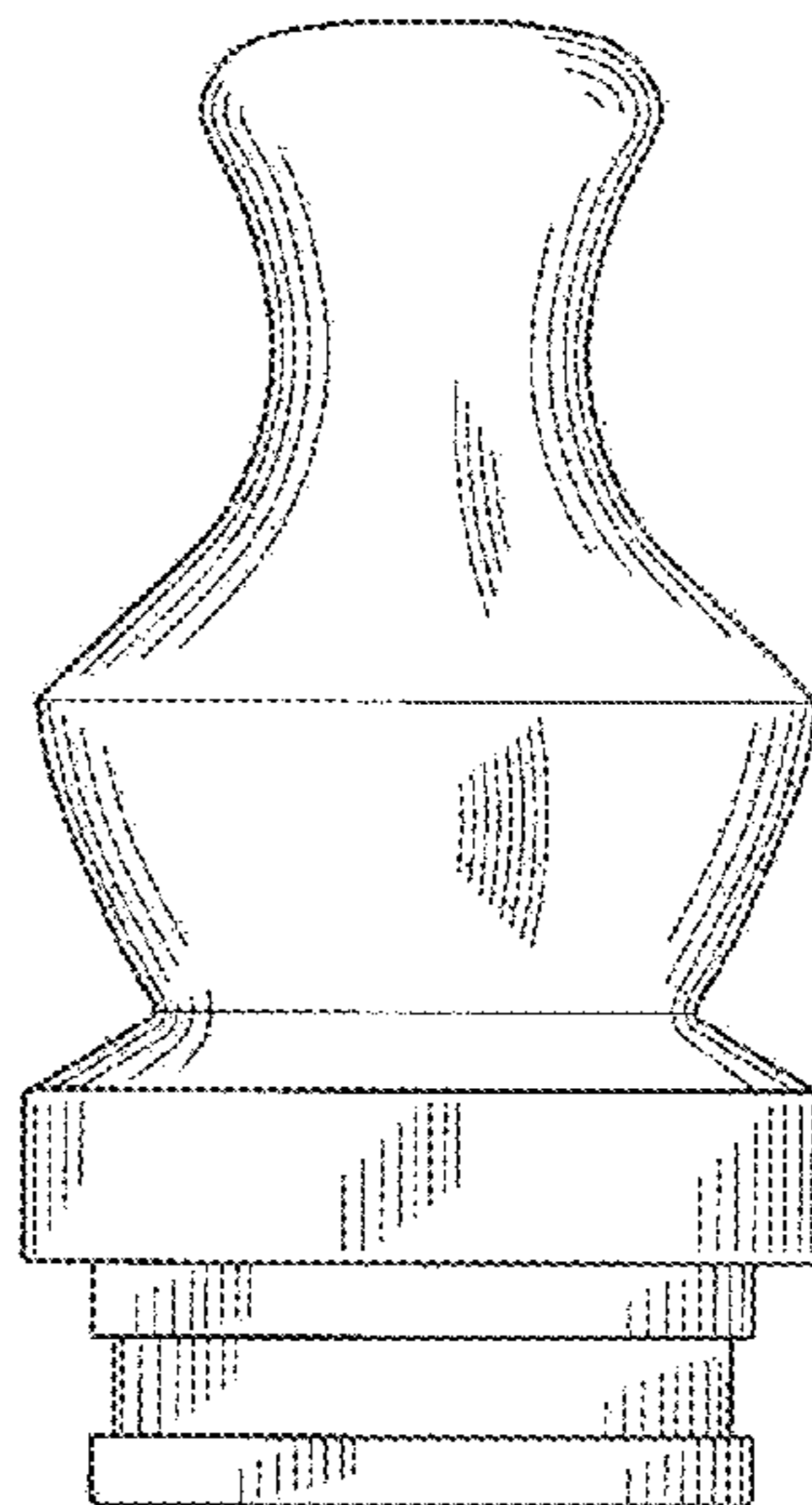
FIG. 1 is a front view of the top cap for an electronic cigarette showing our new design, the left side, right side, and rear views are identical;
 FIG. 2 is a top view thereof;
 FIG. 3 is a bottom view thereof; and,
 FIG. 4 is a front view thereof, showing the top cap for an electronic cigarette in a state of use, for clarity of disclosure, coupled to the body of an electronic cigarette.
 The broken lines in FIG. 4 depict the body of an electronic cigarette that forms no part of the claimed design.

(56) **References Cited**

U.S. PATENT DOCUMENTS

150,000 A *	4/1874	Dale	A24F 13/06 131/187
D33,412 S *	10/1900	Schulte	D27/170
D42,092 S *	1/1912	Shunk	D11/160
1,312,490 A *	8/1919	McAuliffe	A24D 1/042 131/187
1,383,121 A *	6/1921	James	A24F 13/02 131/187

1 Claim, 2 Drawing Sheets



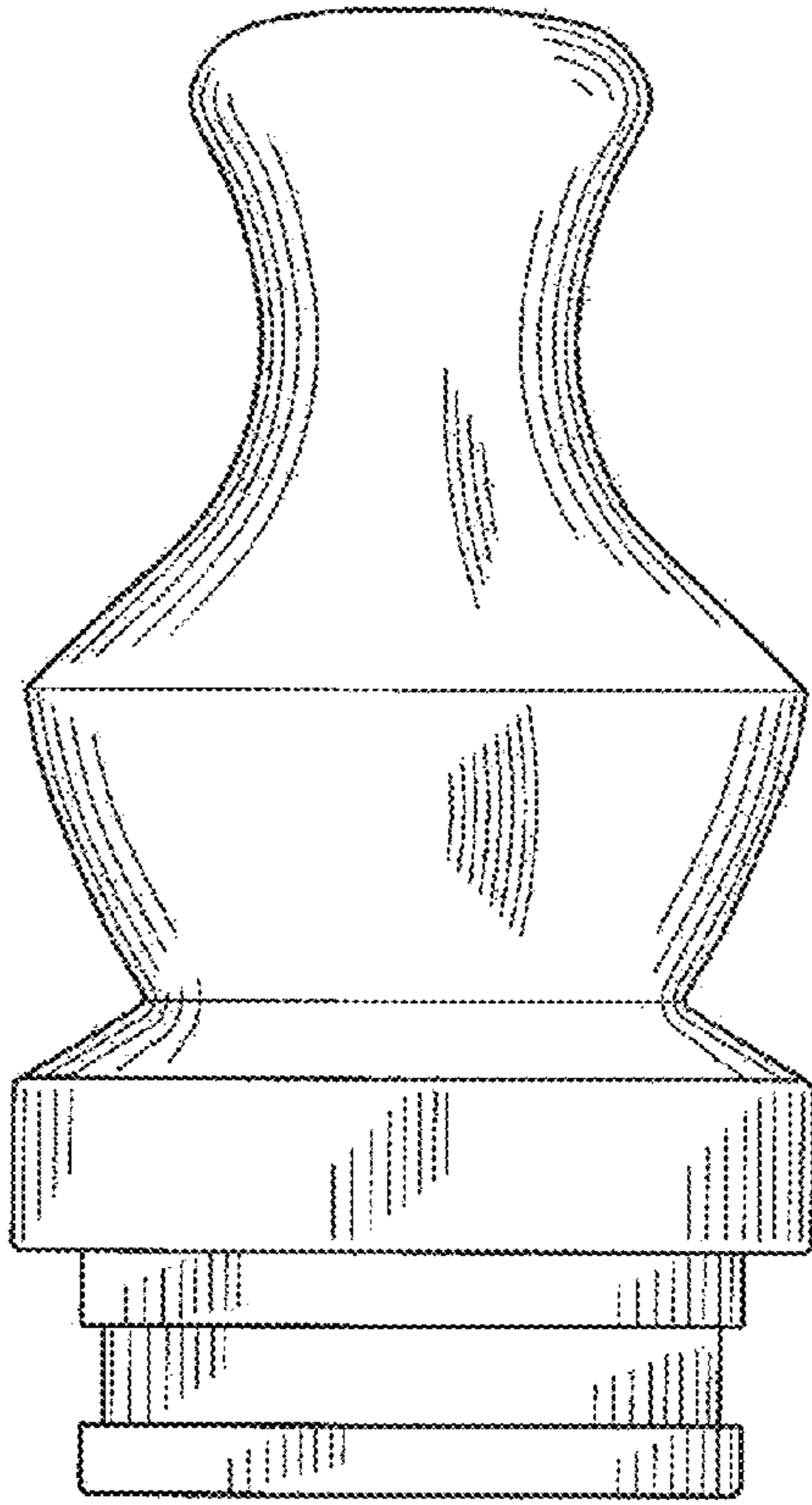


Fig. 1

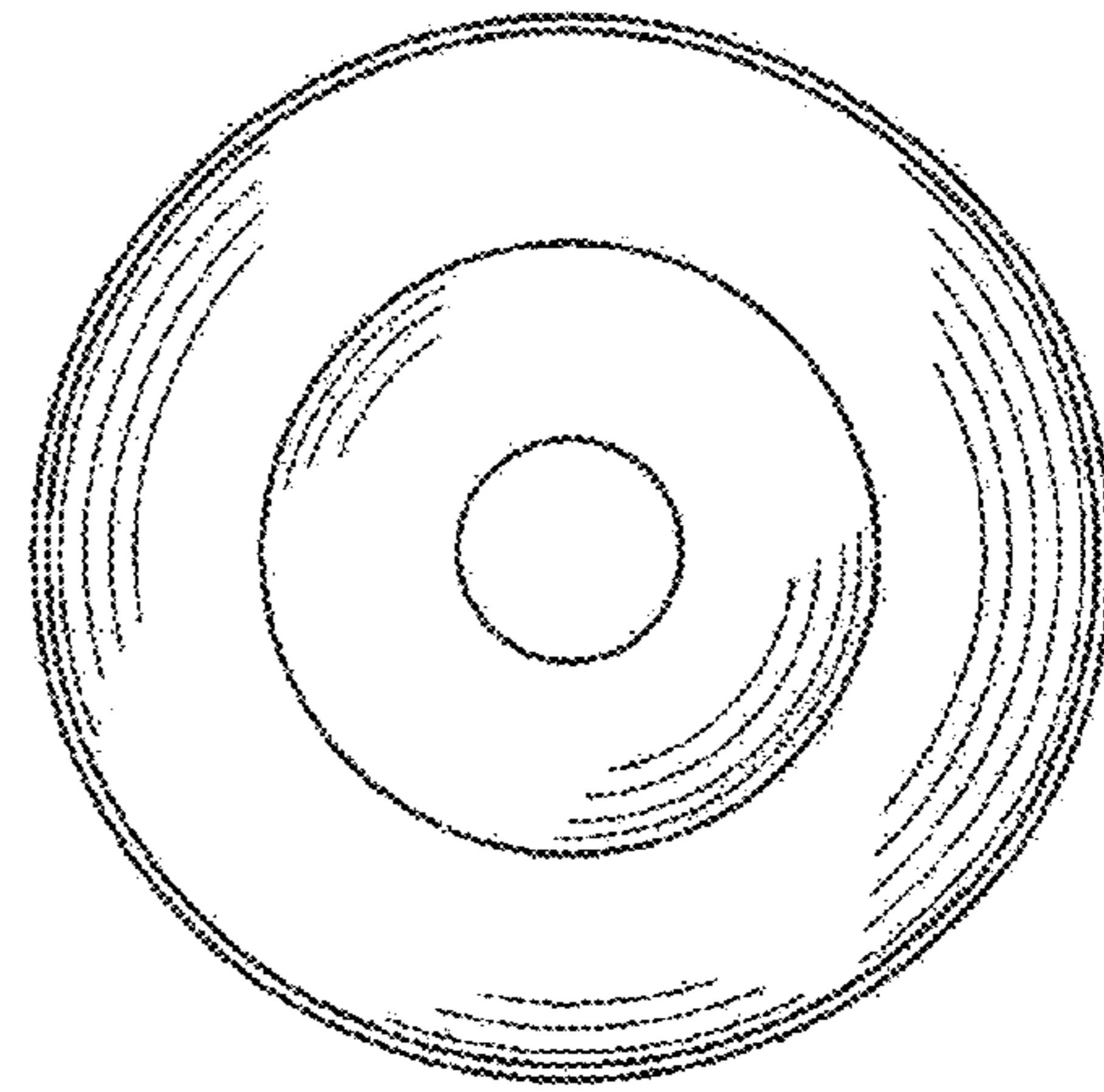


Fig. 2

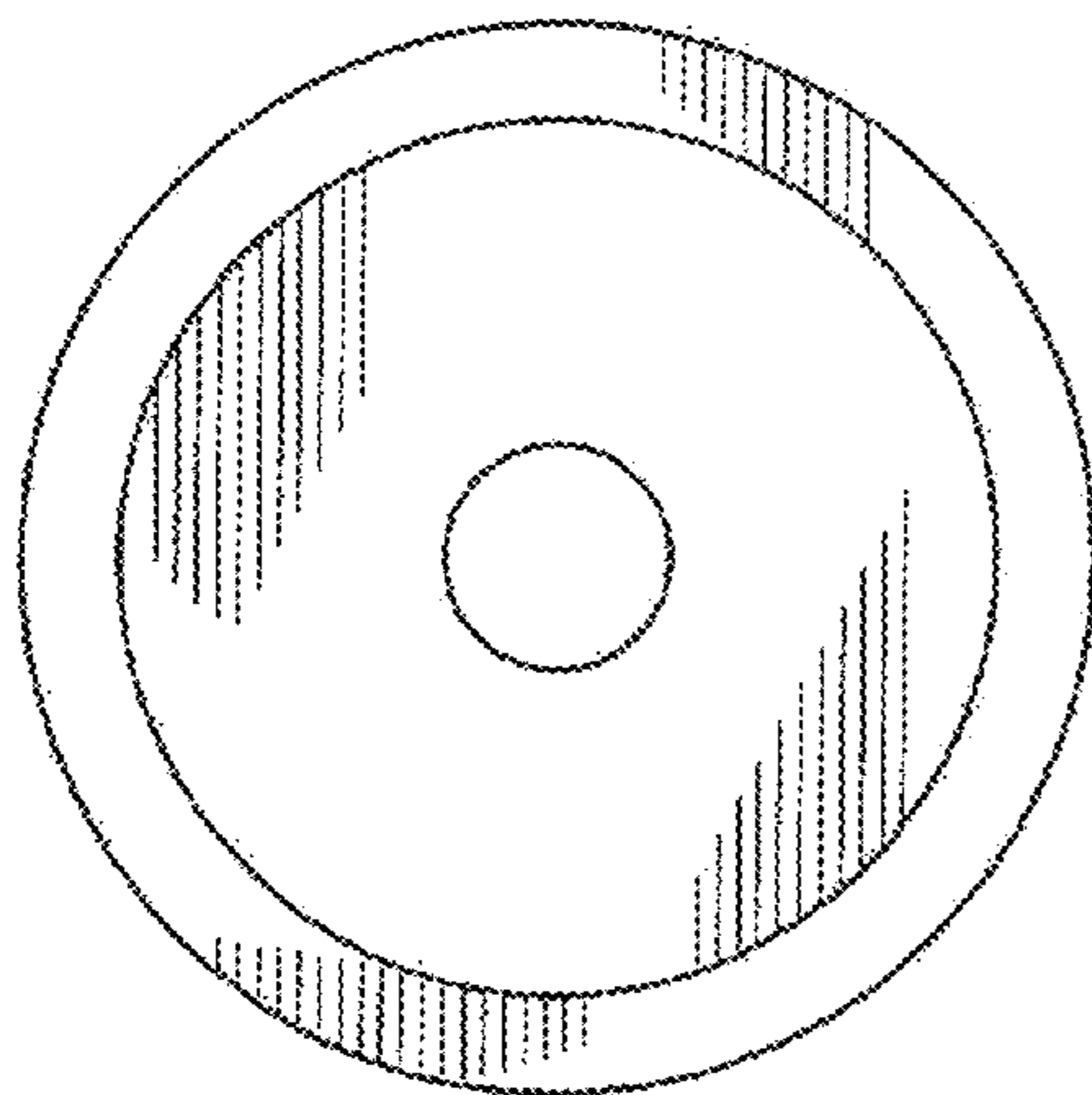


Fig. 3

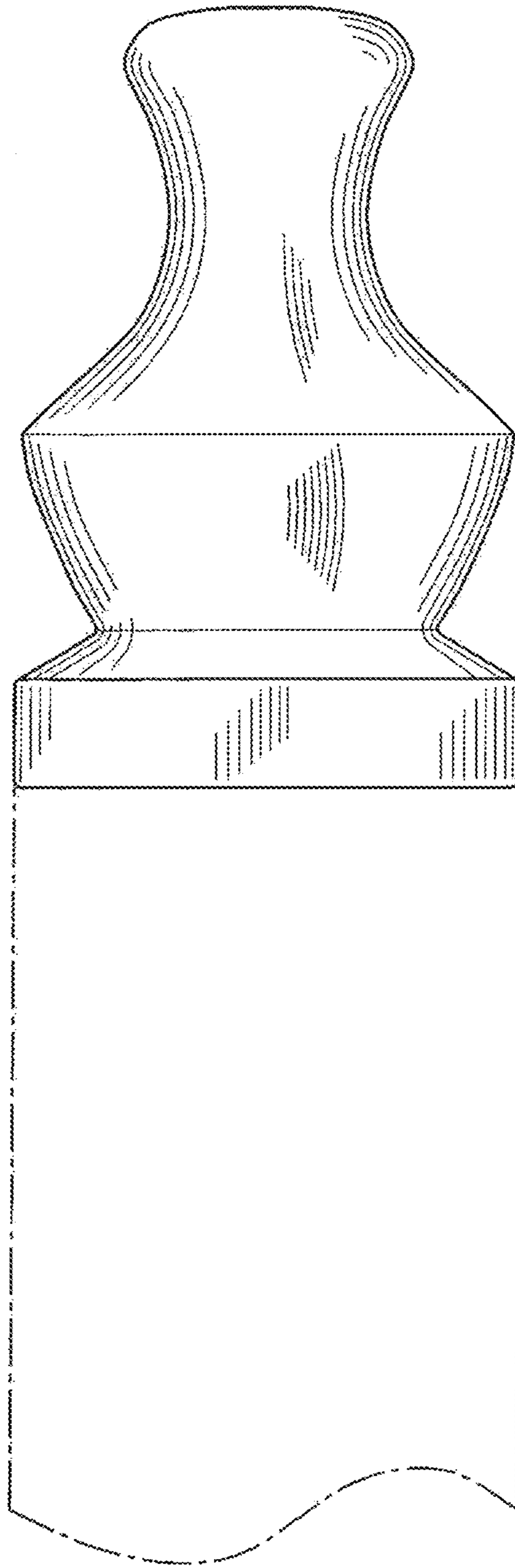


Fig. 4