



US00D772478S

(12) **United States Design Patent**
Liu

(10) **Patent No.:** **US D772,478 S**

(45) **Date of Patent:** **** Nov. 22, 2016**

(54) **ELECTRONIC CIGARETTE ATOMIZER**

(71) Applicant: **Huizhou Kimree Technology Co.,Ltd,**
Huizhou (CN)

(72) Inventor: **Qiuming Liu,** Guangdong (CN)

(73) Assignee: **HUIZHOU KIMREE**
TECHNOLOGY CO., LTD, Huizhou
(CN)

(**) Term: **15 Years**

(21) Appl. No.: **29/528,247**

(22) Filed: **May 27, 2015**

(30) **Foreign Application Priority Data**

Nov. 28, 2014 (CN) 2014 3 0485459

(51) **LOC (10) Cl.** **27-02**

(52) **U.S. Cl.**
USPC **D27/167**

(58) **Field of Classification Search**
USPC D3/20; D13/107, 118, 119, 184;
D19/23, 115; D27/100, 101, 162, 170,
D27/175, 183, 186, 187, 189, 193, 194;
D24/214, 215
CPC A24F 47/008; A24F 47/002; A24F 15/18;
A24F 13/02; A24F 13/06; A24F 15/00;
A24F 7/04

See application file for complete search history.

(56) **References Cited**

U.S. PATENT DOCUMENTS

D426,311 S * 6/2000 Horowitz D24/215
D644,375 S * 8/2011 Zhou D27/101

(Continued)

Primary Examiner — Robert M Spear

Assistant Examiner — Marissa J Cash

(74) *Attorney, Agent, or Firm* — Tim Tingkang Xia, Esq.;
Locke Lord LLP

(57) **CLAIM**

The ornamental design for an electronic cigarette atomizer,
as shown and described.

DESCRIPTION

FIG. 1 is a front elevation view of a first embodiment of an
electronic cigarette atomizer;

FIG. 2 is a rear elevation view of the first embodiment
thereof;

FIG. 3 is a left side elevation view of the first embodiment
thereof;

FIG. 4 is a right side elevation view of the first embodiment
thereof;

FIG. 5 is a top plan the view of the first embodiment thereof;

FIG. 6 is a bottom plan the view of the first embodiment
thereof;

FIG. 7 is a perspective view of the first embodiment thereof;

FIG. 8 is a front elevation view of a second embodiment
thereof;

FIG. 9 is a rear elevation view of the second embodiment
thereof;

FIG. 10 is a left side elevation view of the second embodi-
ment thereof;

FIG. 11 is a right side elevation view of the second embodi-
ment thereof;

FIG. 12 is a top plan the view of the second embodiment
thereof;

FIG. 13 is a bottom plan the view of the second embodiment
thereof;

FIG. 14 is a perspective view of the second embodiment
thereof;

FIG. 15 is a front elevation view of a third embodiment of
thereof;

FIG. 16 is a rear elevation view of the third embodiment
thereof;

FIG. 17 is a left side elevation view of the third embodiment
thereof;

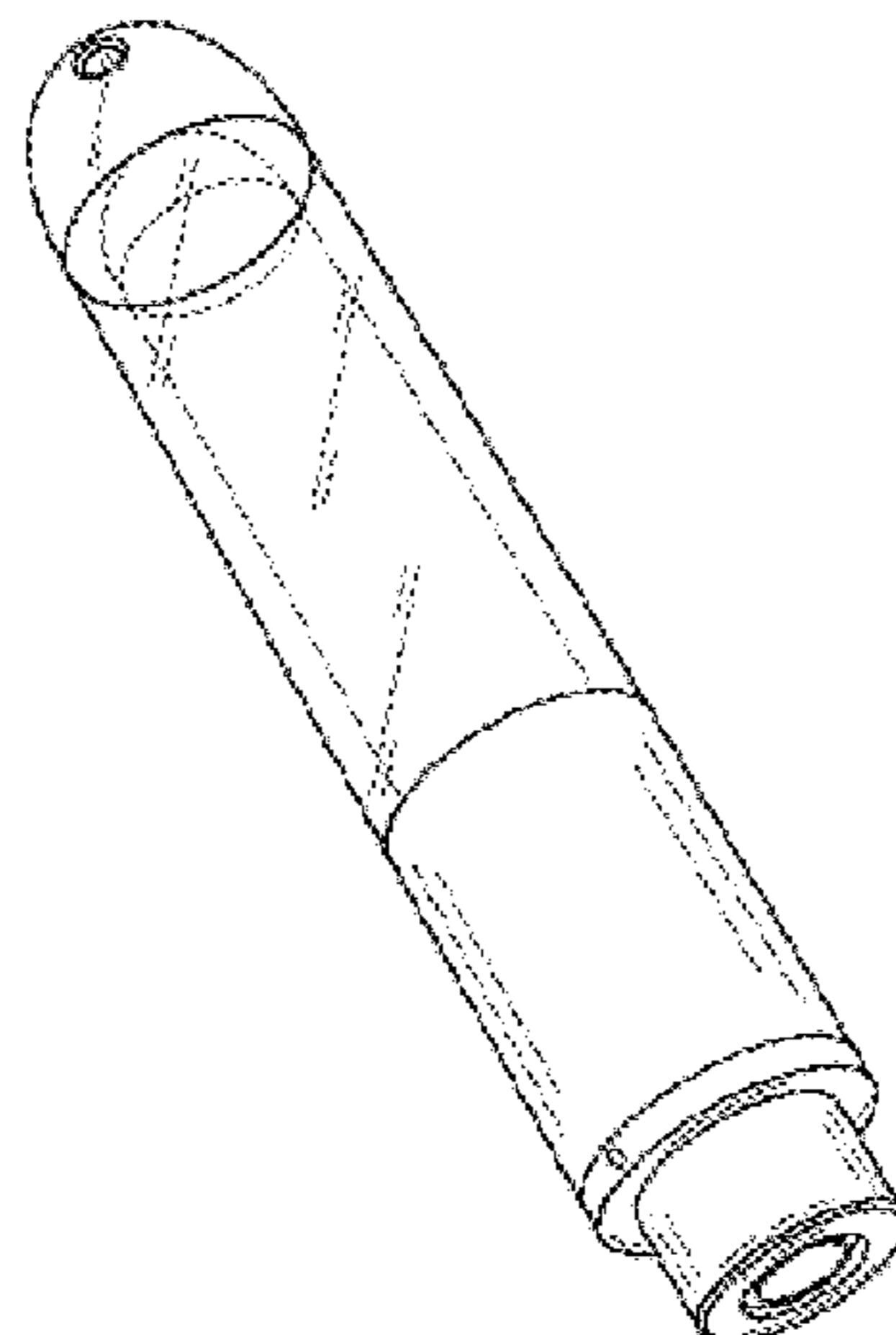
FIG. 18 is a right side elevation view of the third embodi-
ment thereof;

FIG. 19 is a top plan the view of the third embodiment
thereof;

FIG. 20 is a bottom plan the view of the third embodiment
thereof; and,

FIG. 21 is a perspective view of the third embodiment
thereof.

1 Claim, 15 Drawing Sheets



(56)

References Cited

U.S. PATENT DOCUMENTS

D683,897 S * 6/2013 Liu D27/170
 D687,181 S * 7/2013 Goch D27/101
 D695,450 S * 12/2013 Benassayag D24/110.5
 D720,881 S * 1/2015 Liu D27/101
 D720,883 S * 1/2015 Albanese D27/101
 D721,202 S * 1/2015 Liu D27/101
 D724,782 S * 3/2015 Wu D27/101
 D725,821 S * 3/2015 Levin D27/101
 D728,155 S * 4/2015 Liu D27/101
 D728,156 S * 4/2015 Wu D27/101
 D731,112 S * 6/2015 Li D27/101
 D732,239 S * 6/2015 Chen D27/101
 D733,903 S * 7/2015 Tong D24/215
 D747,547 S * 1/2016 Liu D27/101
 D749,261 S * 2/2016 Chen D27/162
 2006/0272659 A1 * 12/2006 Kobal A24F 13/06
 131/187
 2012/0272979 A1 * 11/2012 Cooper A24C 1/38
 131/352
 2013/0087159 A1 * 4/2013 Sweeney A24B 15/30
 131/275
 2013/0167853 A1 * 7/2013 Liu A24F 47/008
 131/329
 2014/0174458 A1 * 6/2014 Katz A24F 47/008
 131/200

2014/0261500 A1 * 9/2014 Park A24F 47/008
 131/329
 2014/0290677 A1 * 10/2014 Liu A24F 47/008
 131/329
 2014/0334804 A1 * 11/2014 Choi A61M 15/06
 392/404
 2015/0034104 A1 * 2/2015 Zhou A24F 47/008
 131/329
 2015/0114406 A1 * 4/2015 Newton A24F 47/002
 131/329
 2015/0122252 A1 * 5/2015 Frija A24F 47/008
 128/202.21
 2015/0181944 A1 * 7/2015 Li A24F 47/008
 131/329
 2015/0257449 A1 * 9/2015 Gabbay A24F 47/008
 392/386
 2015/0282530 A1 * 10/2015 Johnson A24F 47/008
 392/387
 2015/0335073 A1 * 11/2015 Li A24F 47/008
 131/329
 2015/0342255 A1 * 12/2015 Wu A61M 15/06
 131/329
 2015/0342258 A1 * 12/2015 Chen H05B 3/06
 131/329
 2016/0007653 A1 * 1/2016 Tu A24F 47/008
 392/403
 2016/0015082 A1 * 1/2016 Liu A24F 47/008
 131/329
 2016/0021929 A1 * 1/2016 Sawalha A24F 1/30
 131/329

* cited by examiner

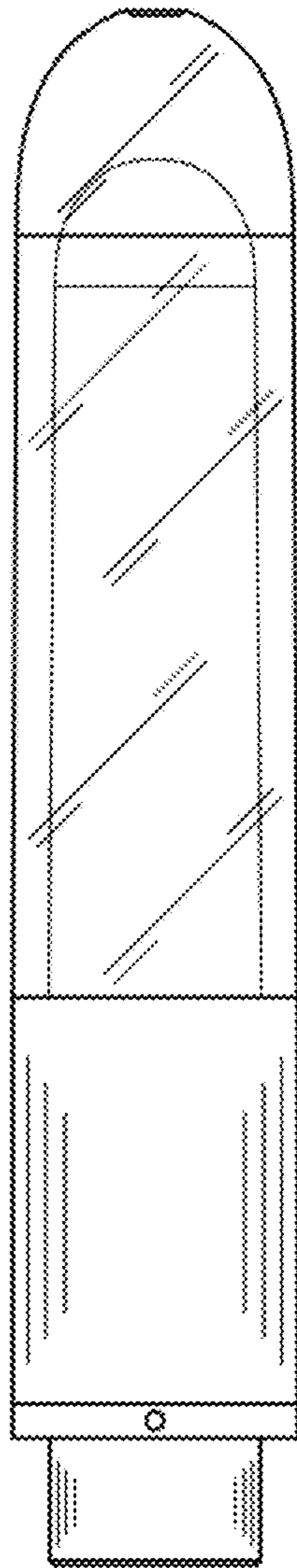


Fig. 1

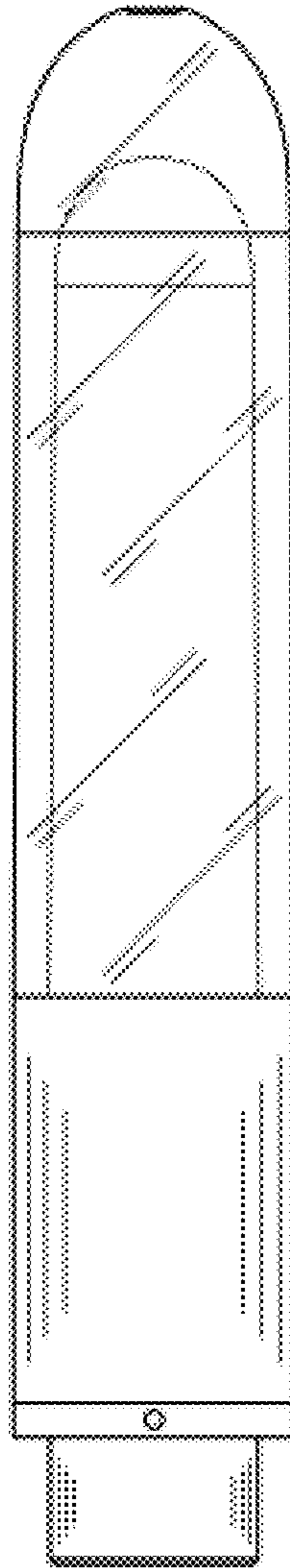


Fig. 2

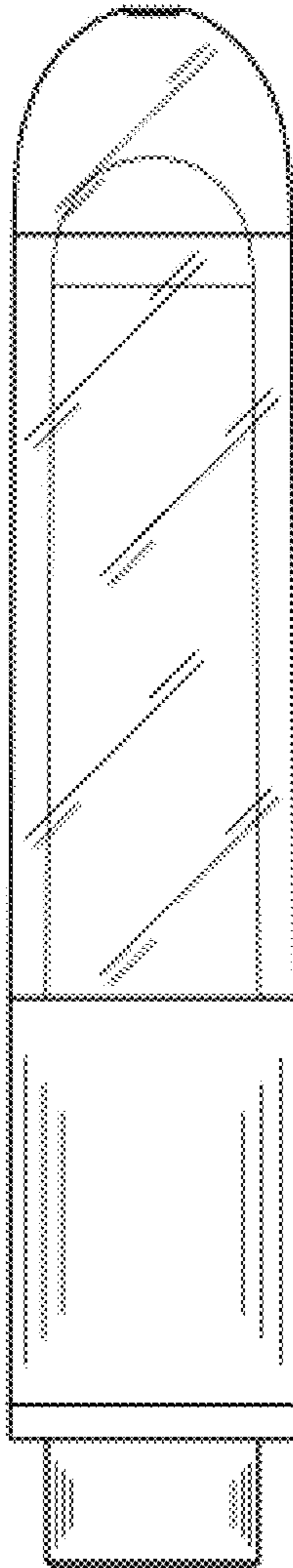


Fig. 3

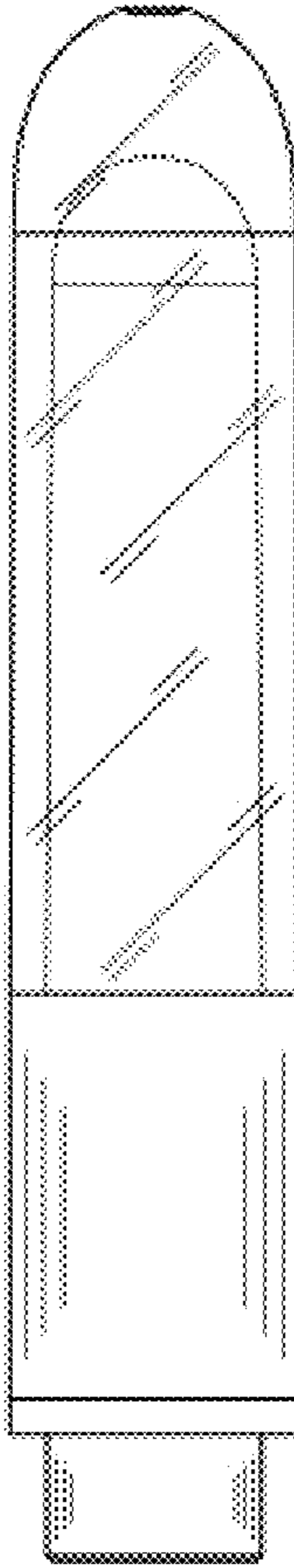


Fig. 4

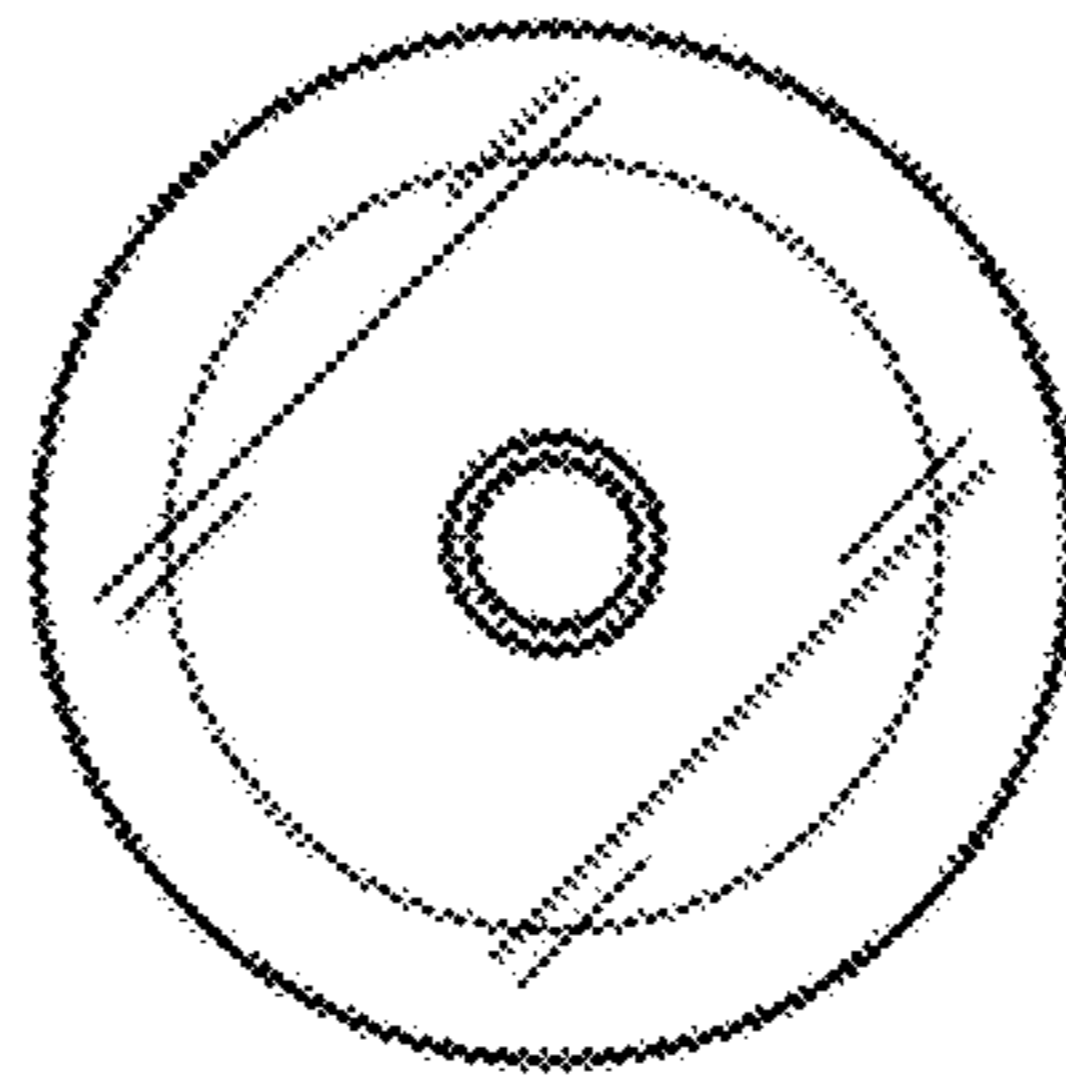


Fig. 5

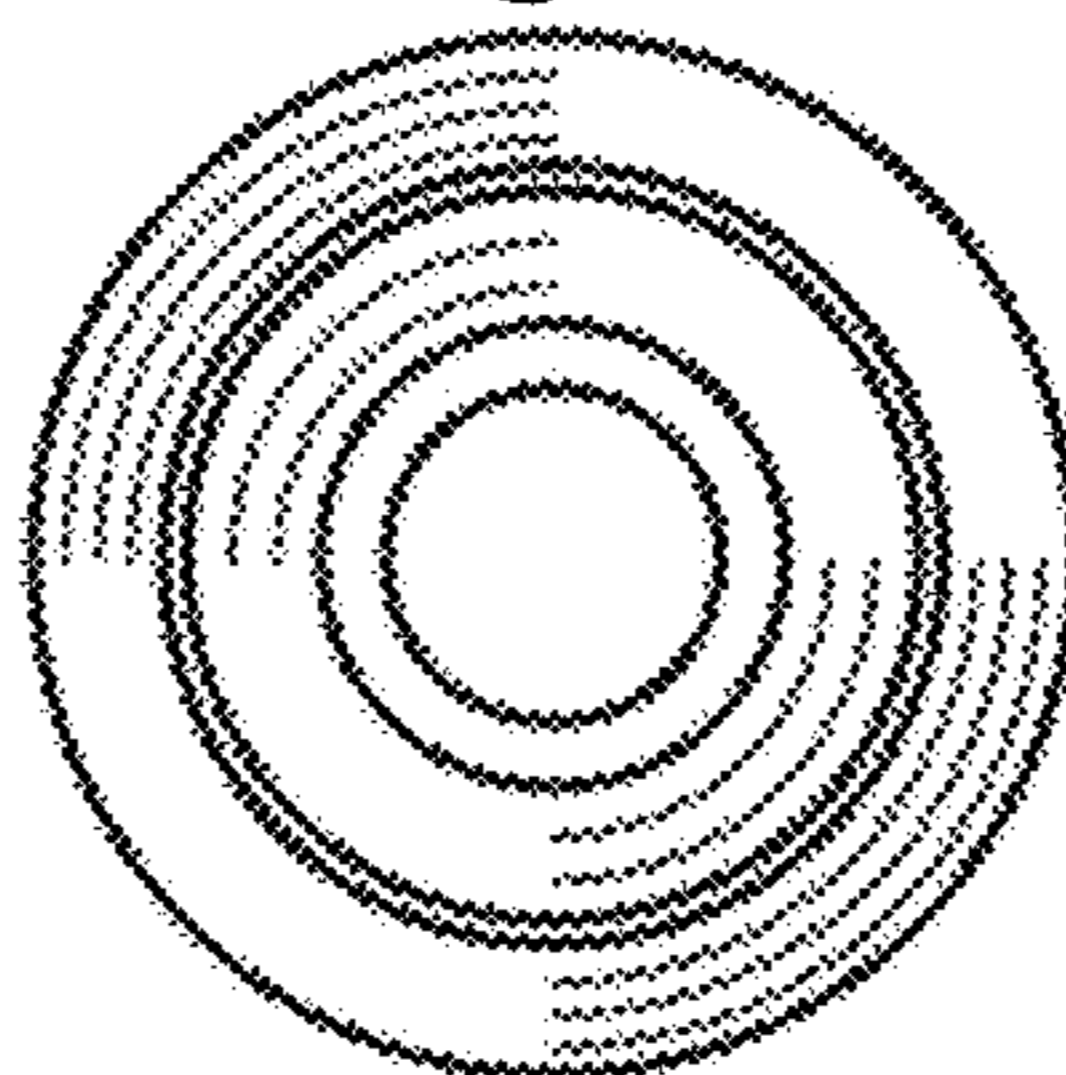


Fig. 6

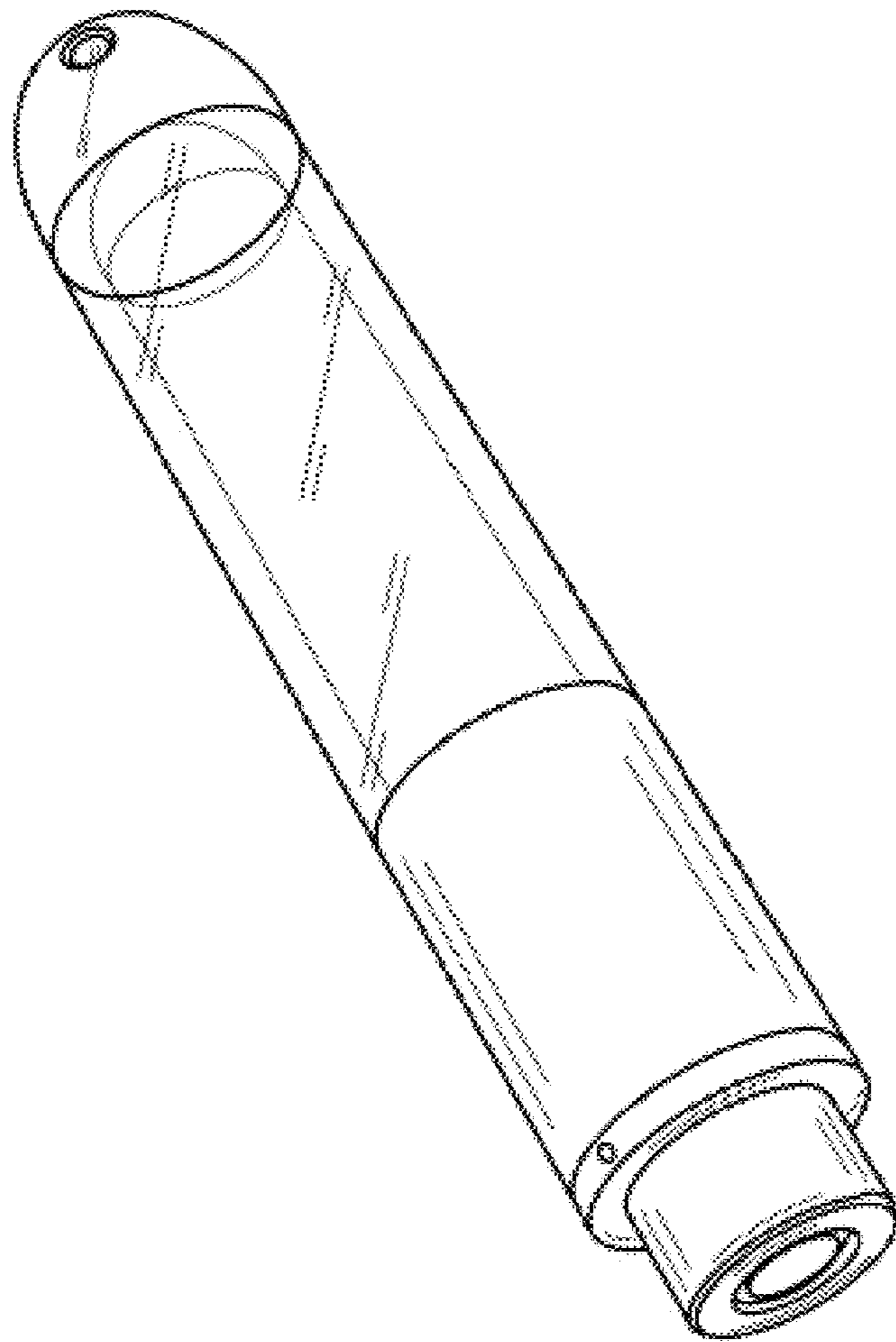


Fig. 7

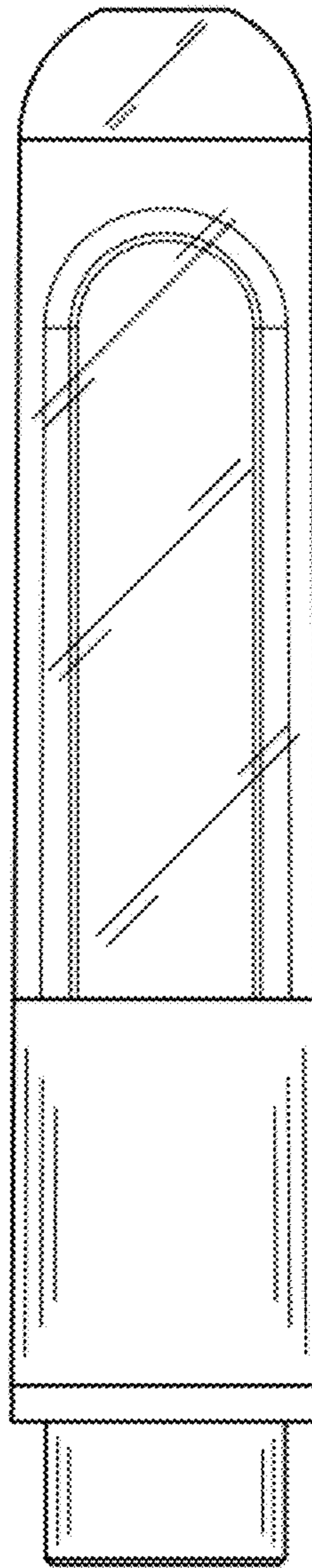


Fig. 8

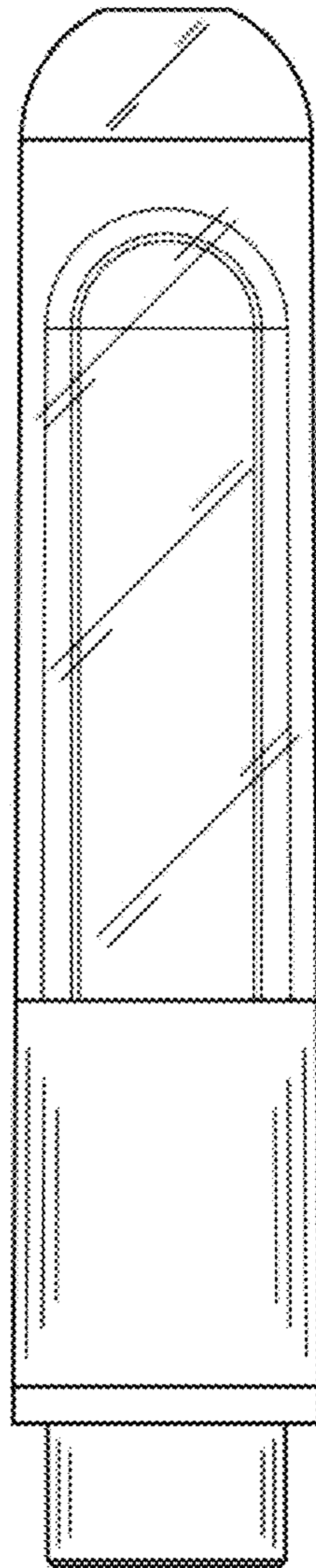


Fig. 9

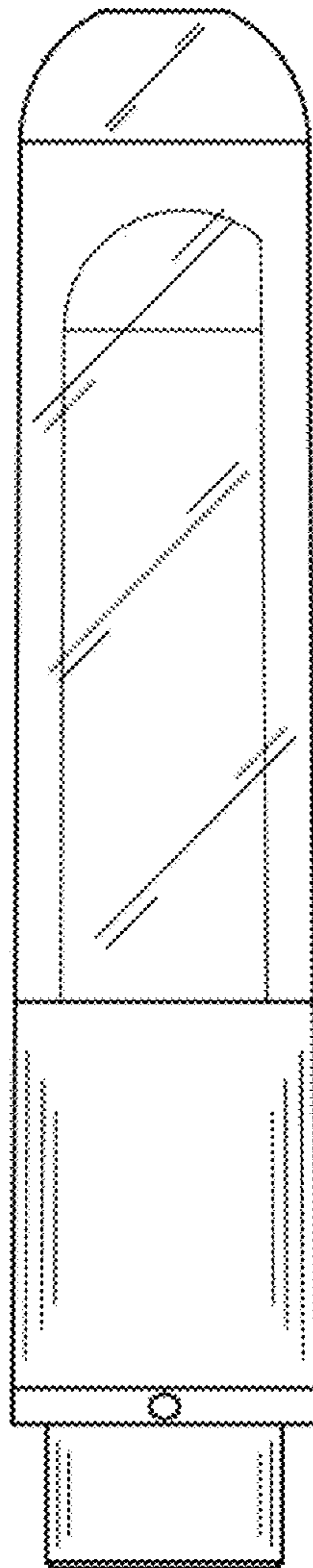


Fig. 10

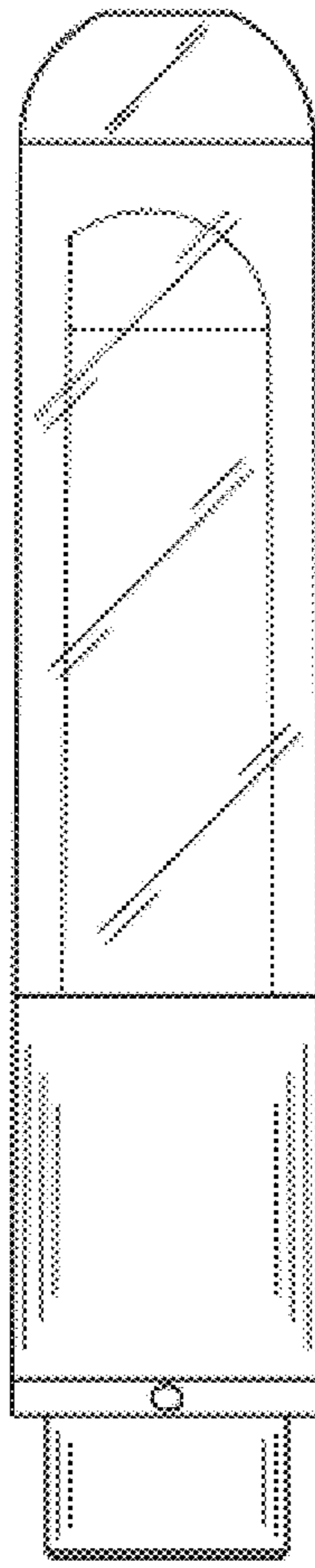


Fig. 11

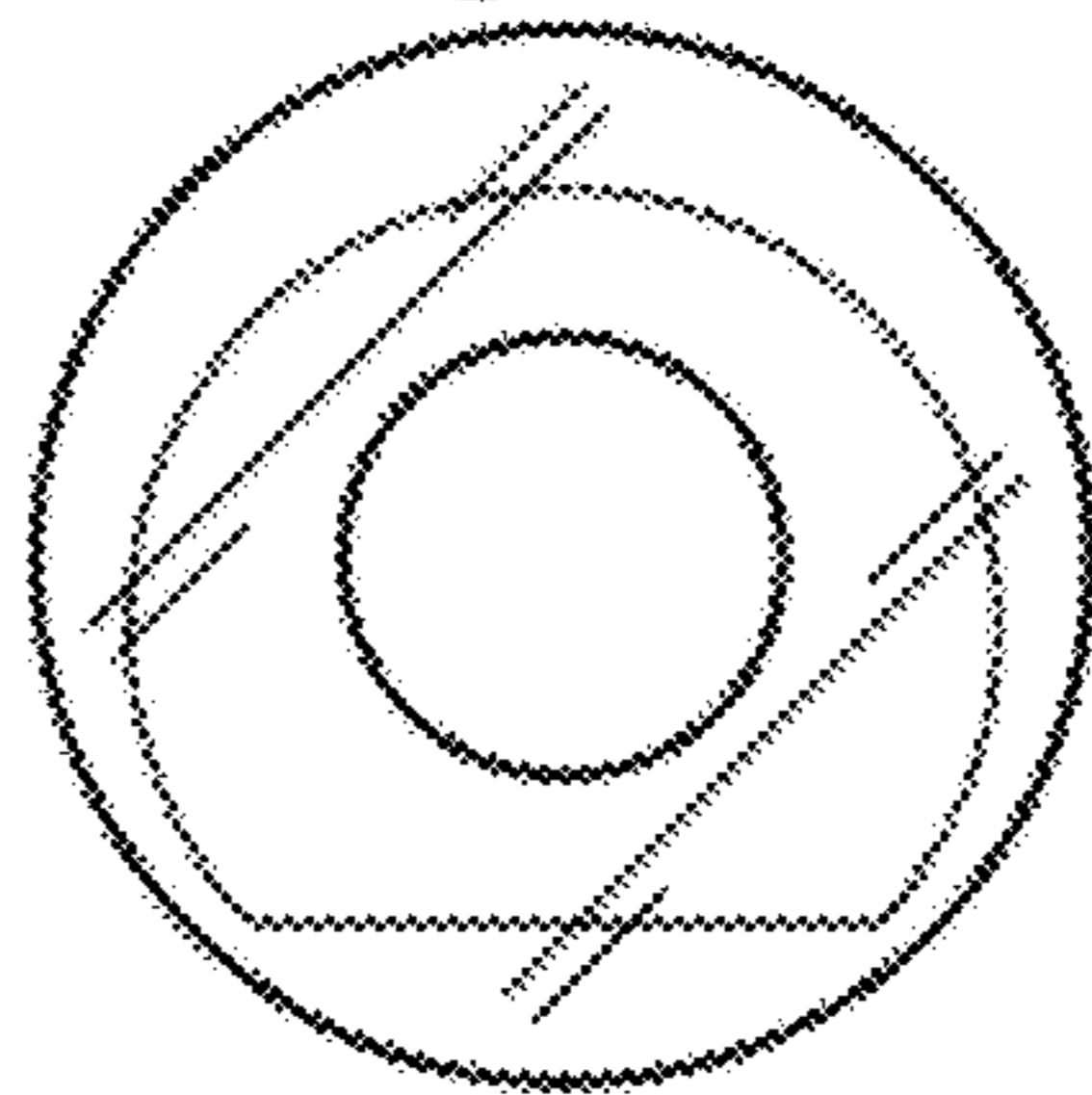


Fig. 12

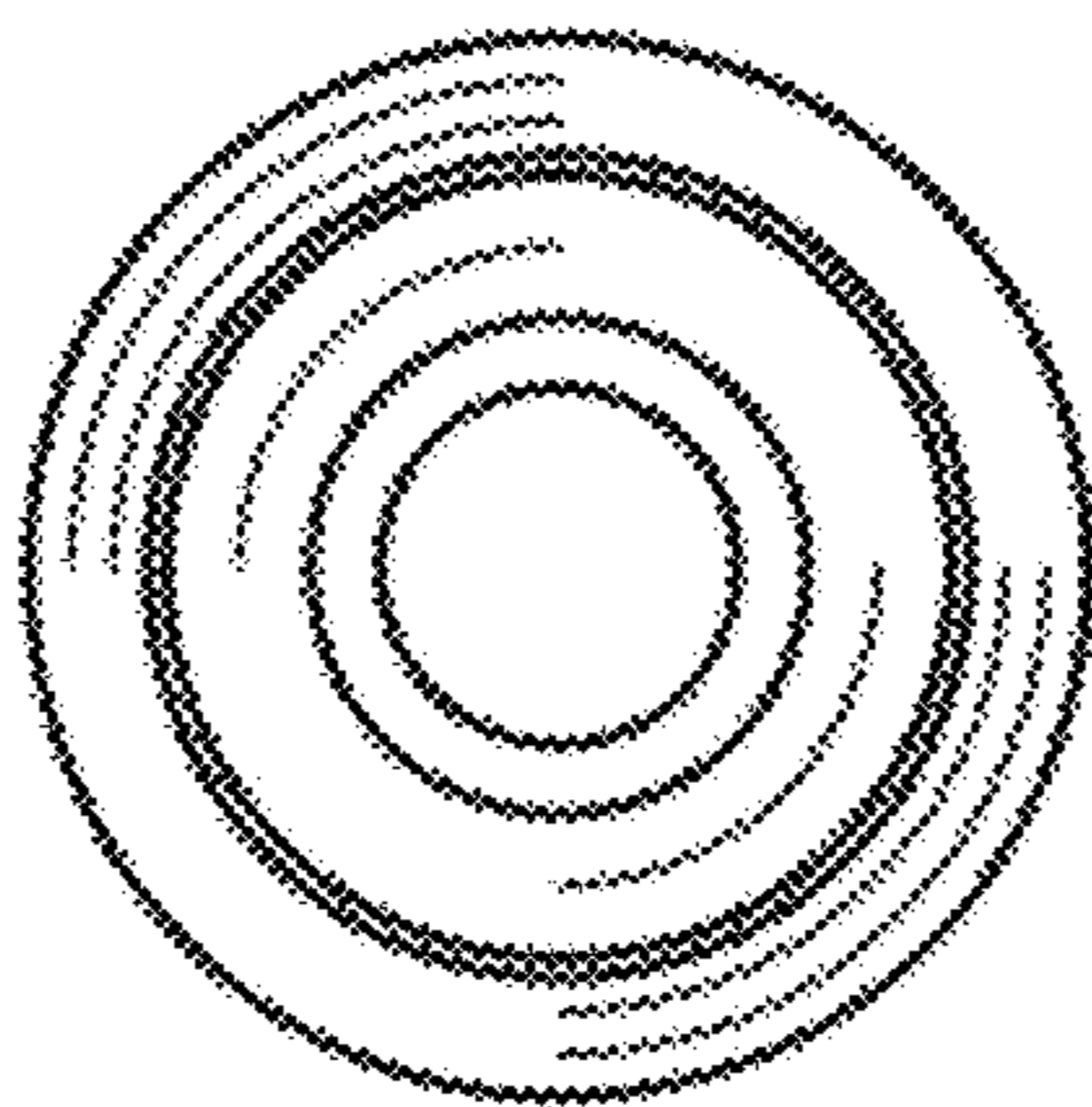


Fig. 13

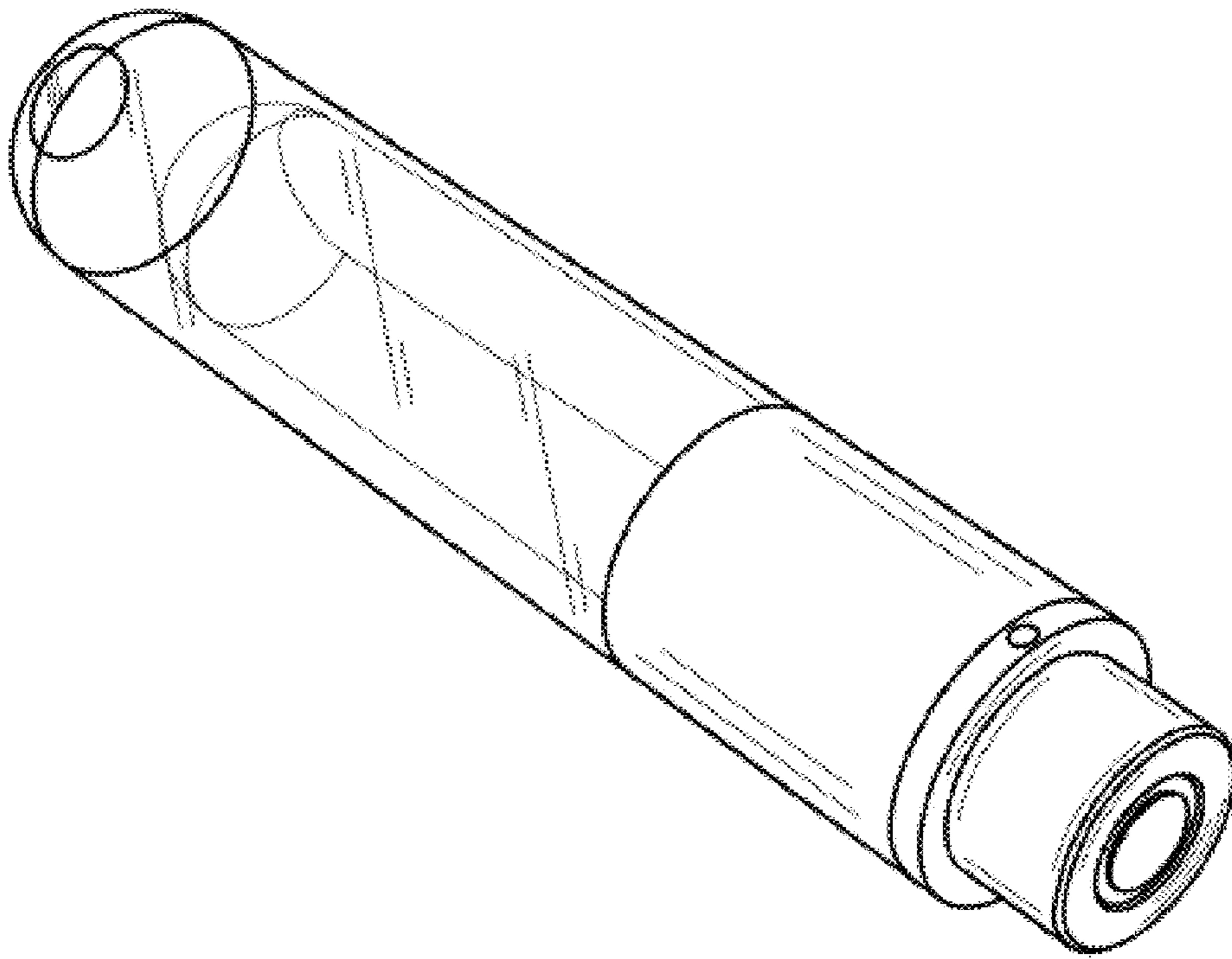


Fig. 14

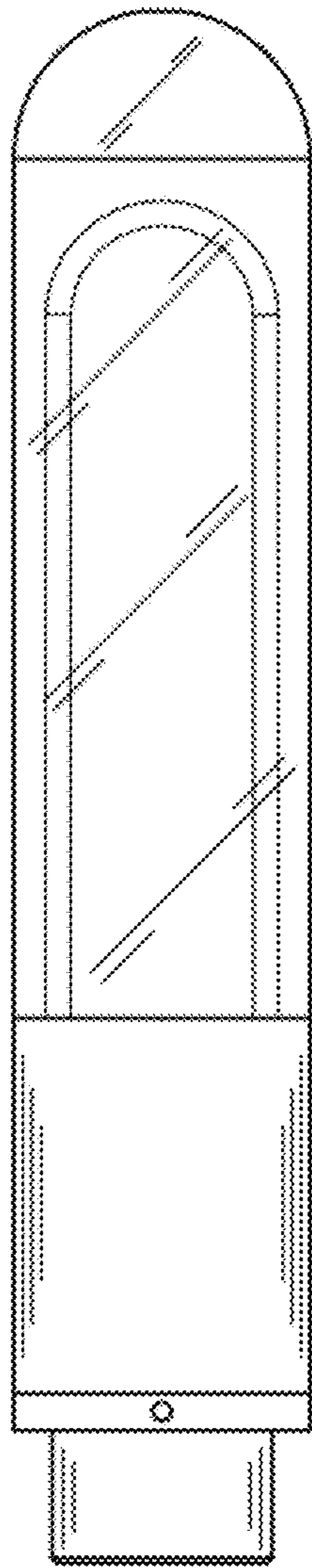


Fig. 15

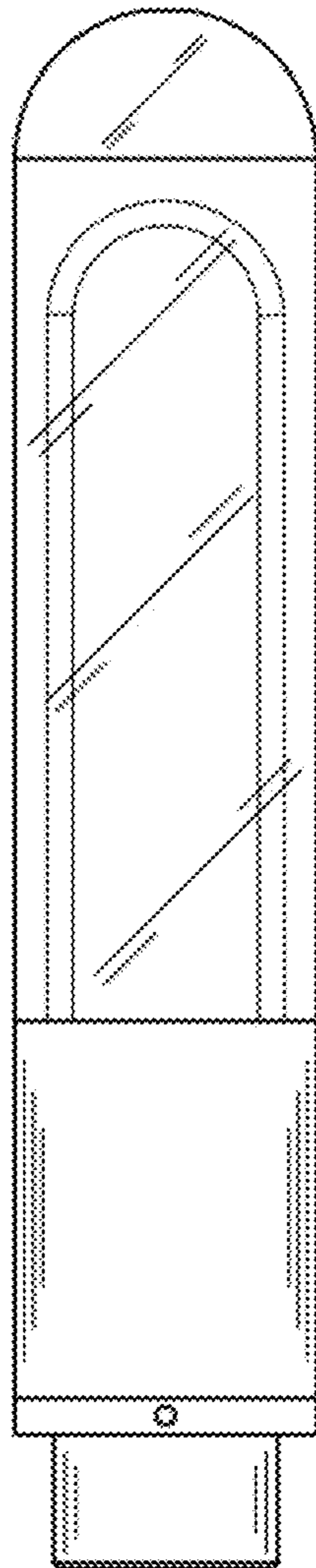


Fig. 16

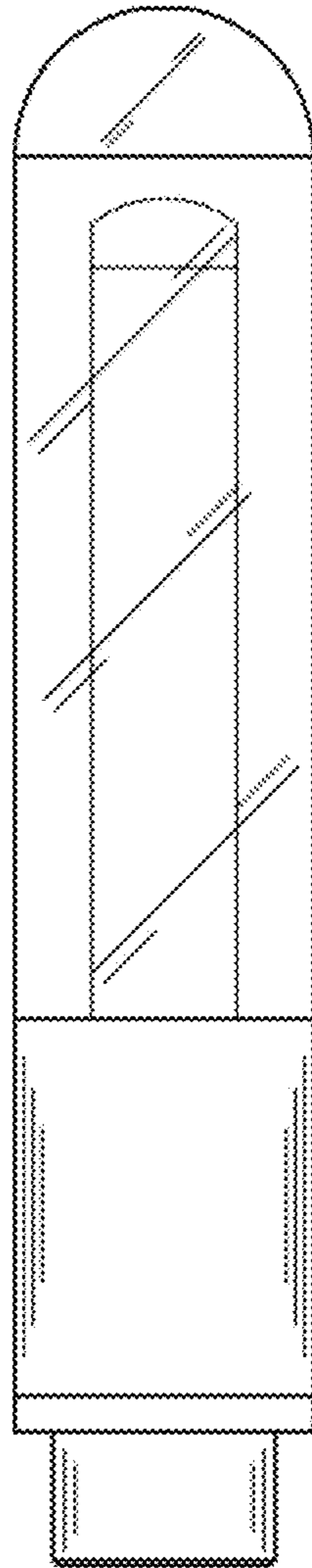


Fig. 17

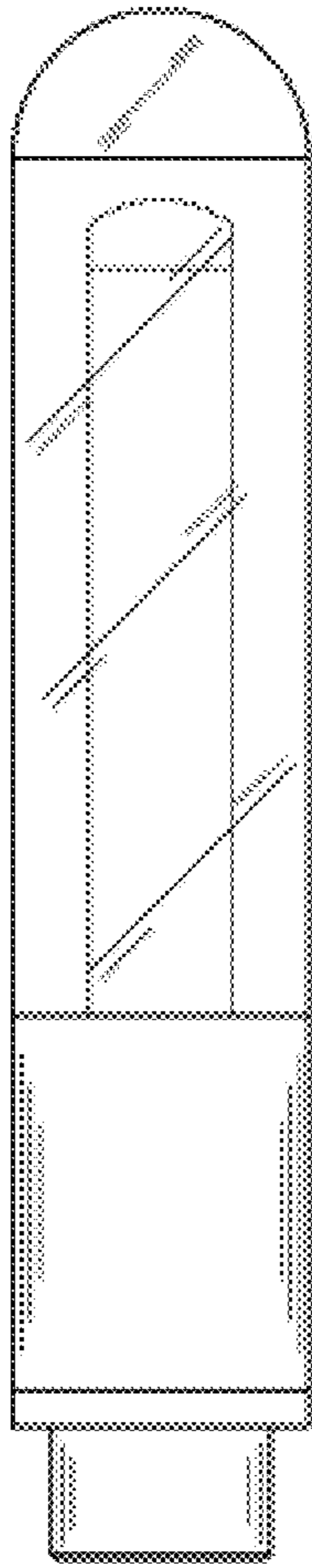


Fig. 18

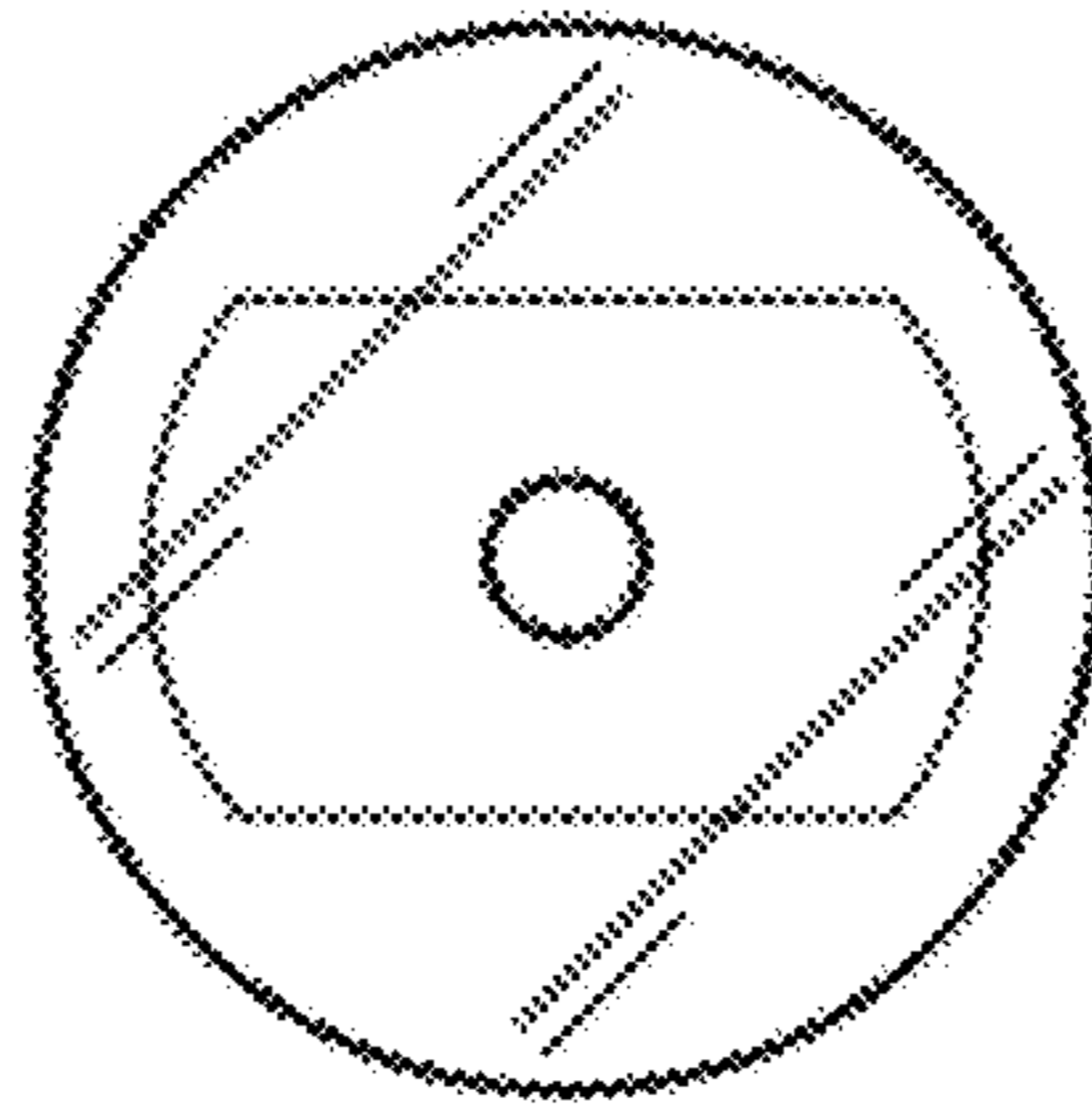


Fig. 19

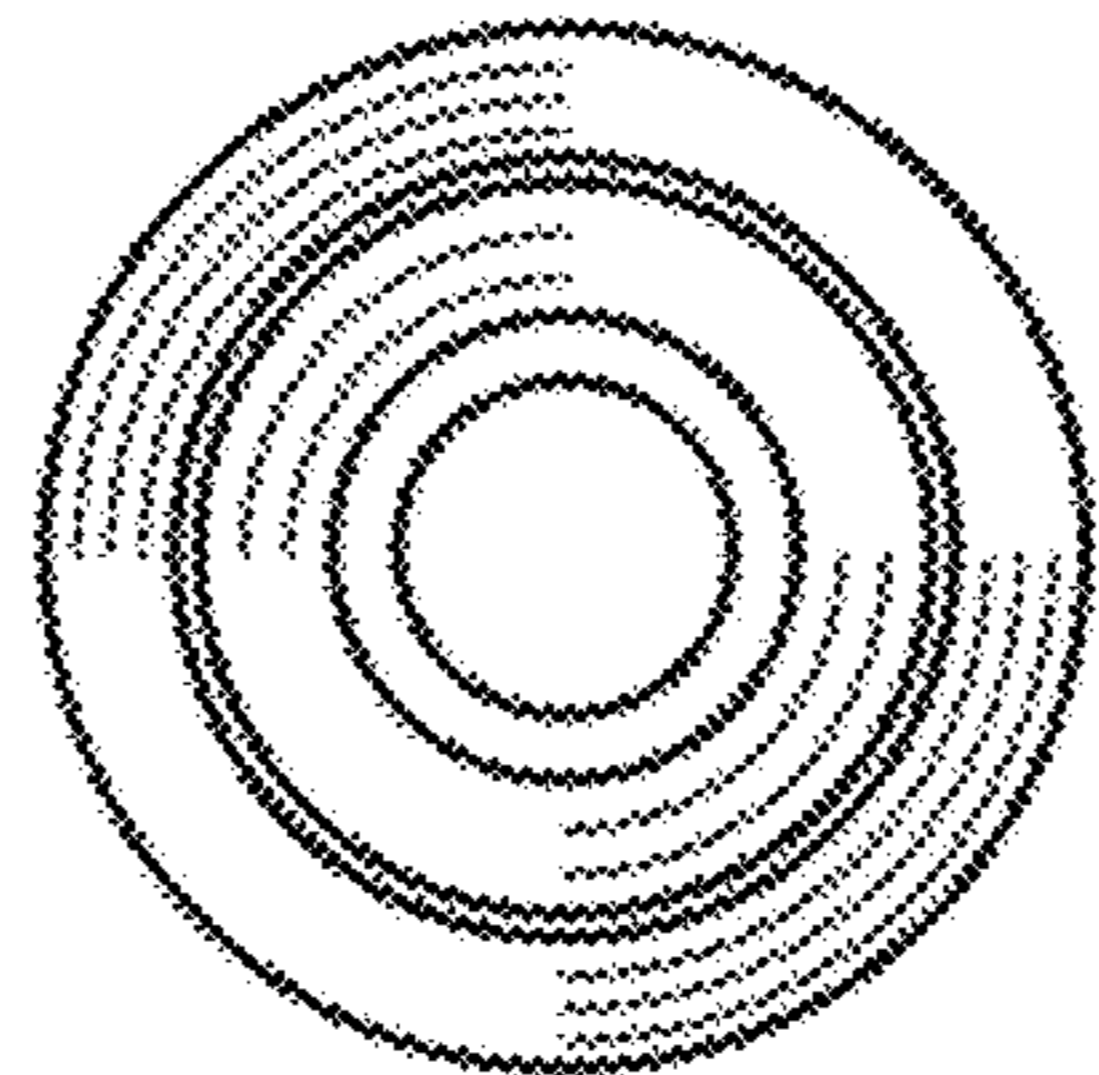


Fig. 20

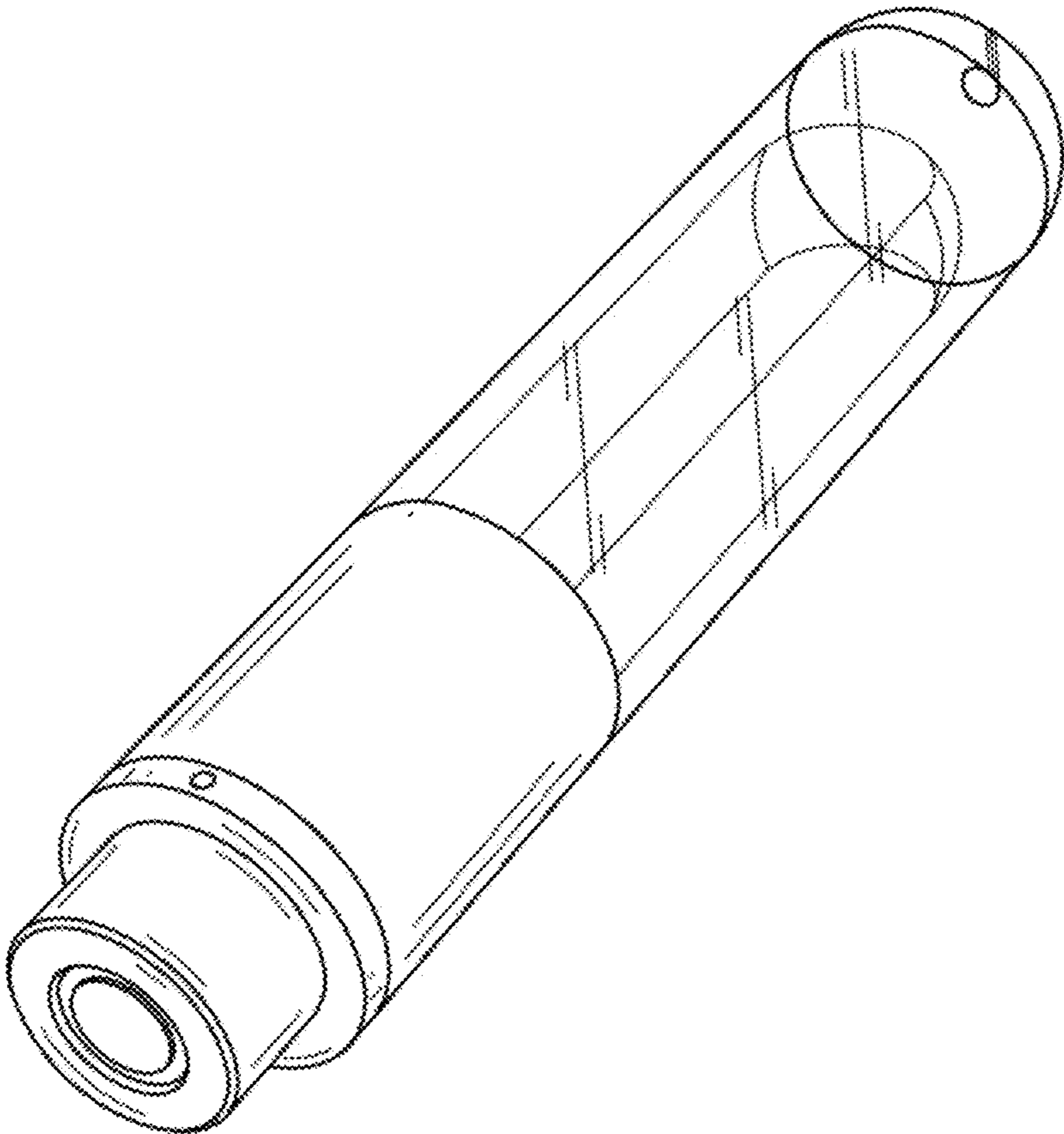


Fig. 21