



US00D772477S

(12) **United States Design Patent** (10) **Patent No.:** **US D772,477 S**
Shin (45) **Date of Patent:** **** Nov. 22, 2016**

(54) **ELECTRONIC CIGARETTE**
(71) Applicant: **Jong-Soo Shin**, Chungbuk (KR)
(72) Inventor: **Jong-Soo Shin**, Chungbuk (KR)
(**) Term: **14 Years**
(21) Appl. No.: **29/506,088**
(22) Filed: **Oct. 13, 2014**
(30) **Foreign Application Priority Data**
Apr. 17, 2014 (KR) 30-2014-0019448
(51) **LOC (10) Cl.** **27-02**
(52) **U.S. Cl.**
USPC **D27/163**
(58) **Field of Classification Search**
USPC D3/203.1, 203.6; D9/432; D13/118,
D13/119; D27/100, 139, 141, 142, 143,
D27/144, 162, 163, 164, 167, 172-193, 194
CPC A24F 47/00; A24F 47/008; H05B 3/03;
A61M 16/108; A61M 16/10
See application file for complete search history.

(56) **References Cited**

U.S. PATENT DOCUMENTS

D368,552 S * 4/1996 Adams D27/194
D411,332 S * 6/1999 Zelenik D27/187
5,934,289 A * 8/1999 Watkins A24F 47/008
128/202.21
D433,532 S * 11/2000 Higgins D27/186
6,615,840 B1 * 9/2003 Fournier A24F 47/008
131/194
D547,440 S * 7/2007 Louet-Feisser D24/110
D547,859 S * 7/2007 Choi D24/113
D617,042 S * 6/2010 Wong D27/139
D649,708 S * 11/2011 Oneil D27/163
D654,160 S * 2/2012 Yomtov D23/360
D681,875 S * 5/2013 Park D27/141
D717,488 S * 11/2014 Martin D27/141
D728,855 S * 5/2015 Liu D27/163
D736,455 S * 8/2015 Liu D27/189

D743,099 S * 11/2015 Oglesby D27/101
D745,213 S * 12/2015 Alima D27/143
D748,325 S * 1/2016 Leidel D27/163
D751,756 S * 3/2016 Hearn D27/189
2002/0005207 A1 * 1/2002 Wrenn A24C 5/478
131/194
2010/0163063 A1 * 7/2010 Fernando A24F 47/008
131/184.1
2010/0313901 A1 * 12/2010 Fernando A24F 47/008
131/330
2013/0167854 A1 * 7/2013 Shin A24F 47/008
131/329
2014/0014125 A1 * 1/2014 Fernando A24F 47/008
131/328
2014/0217085 A1 * 8/2014 Alima F23Q 7/16
219/474
2015/0114410 A1 * 4/2015 Doster A24F 47/008
131/329
2016/0160967 A1 * 6/2016 Shin F16H 21/44
74/103

* cited by examiner

Primary Examiner — Robert M Spear
Assistant Examiner — Marissa J Cash
(74) *Attorney, Agent, or Firm* — Workman Nydegger

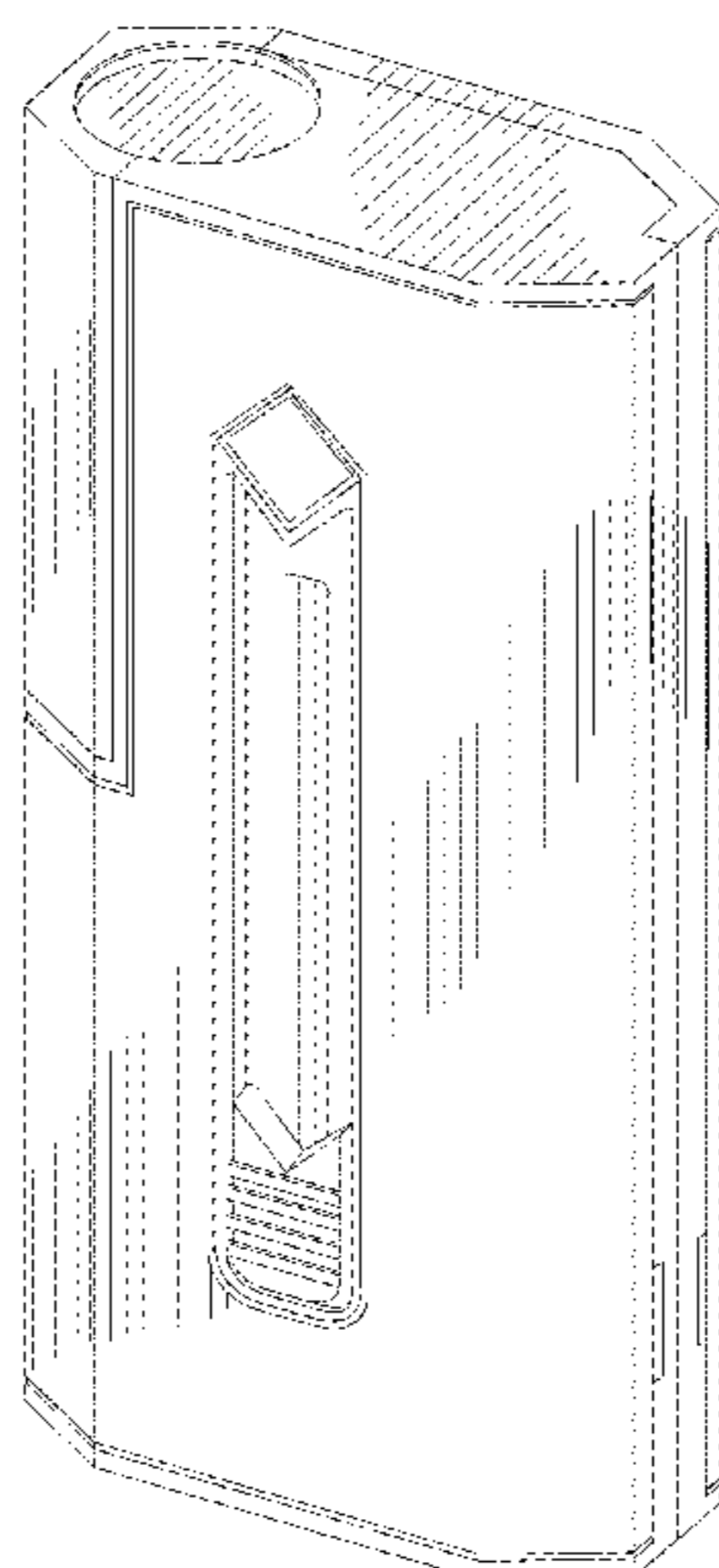
(57) **CLAIM**

The ornamental design for an electronic cigarette, as shown and described.

DESCRIPTION

FIG. 1 is a perspective view of an electronic cigarette showing my new design;
FIG. 2 is a front elevational view thereof;
FIG. 3 is a rear elevational view thereof;
FIG. 4 is a left side elevational view thereof;
FIG. 5 is a right side elevational view thereof;
FIG. 6 is a top plan view thereof; and,
FIG. 7 is a bottom plan view thereof.
The broken lines are shown for the purpose of depicting parts of the electronic cigarette that are unclaimed subject matter and form no part of the claimed design.

1 Claim, 4 Drawing Sheets



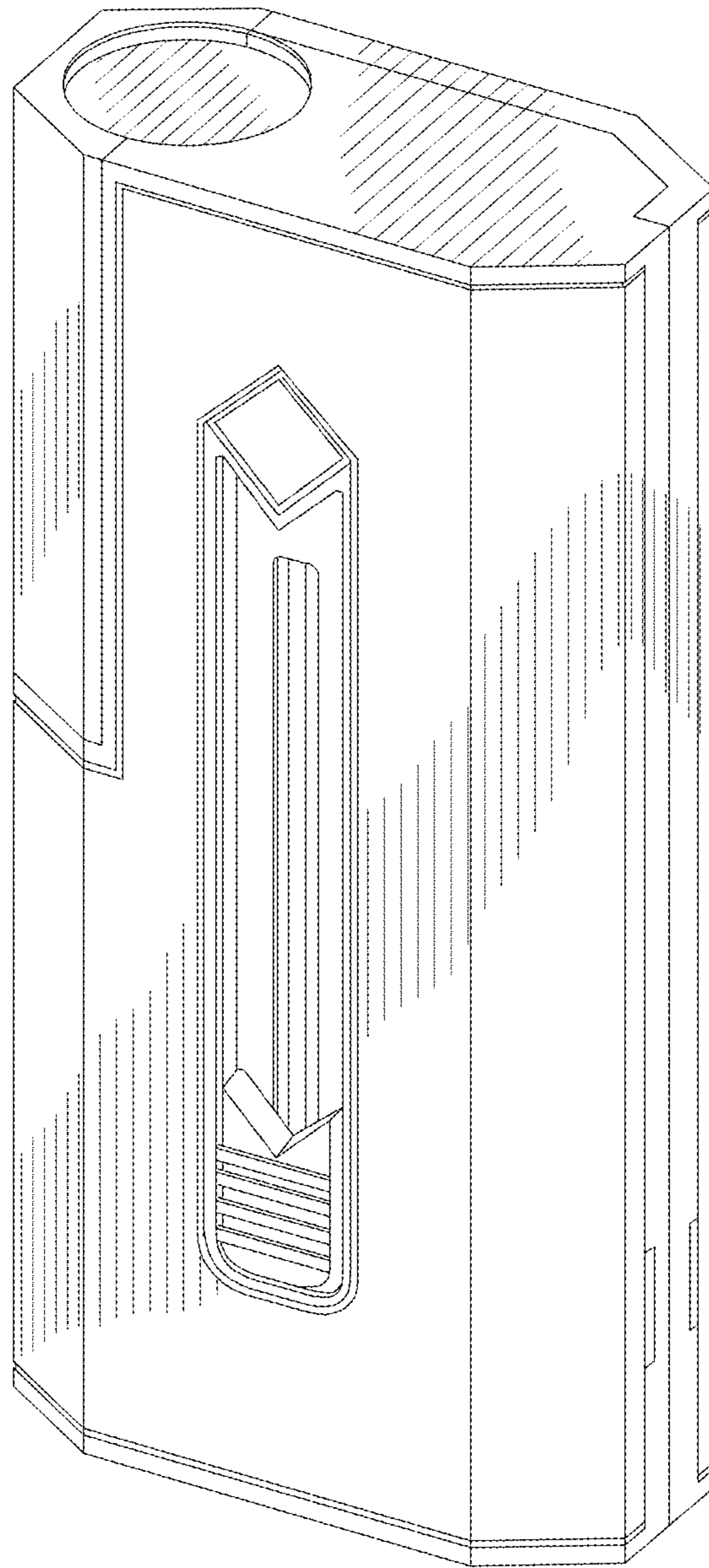


FIG. 1

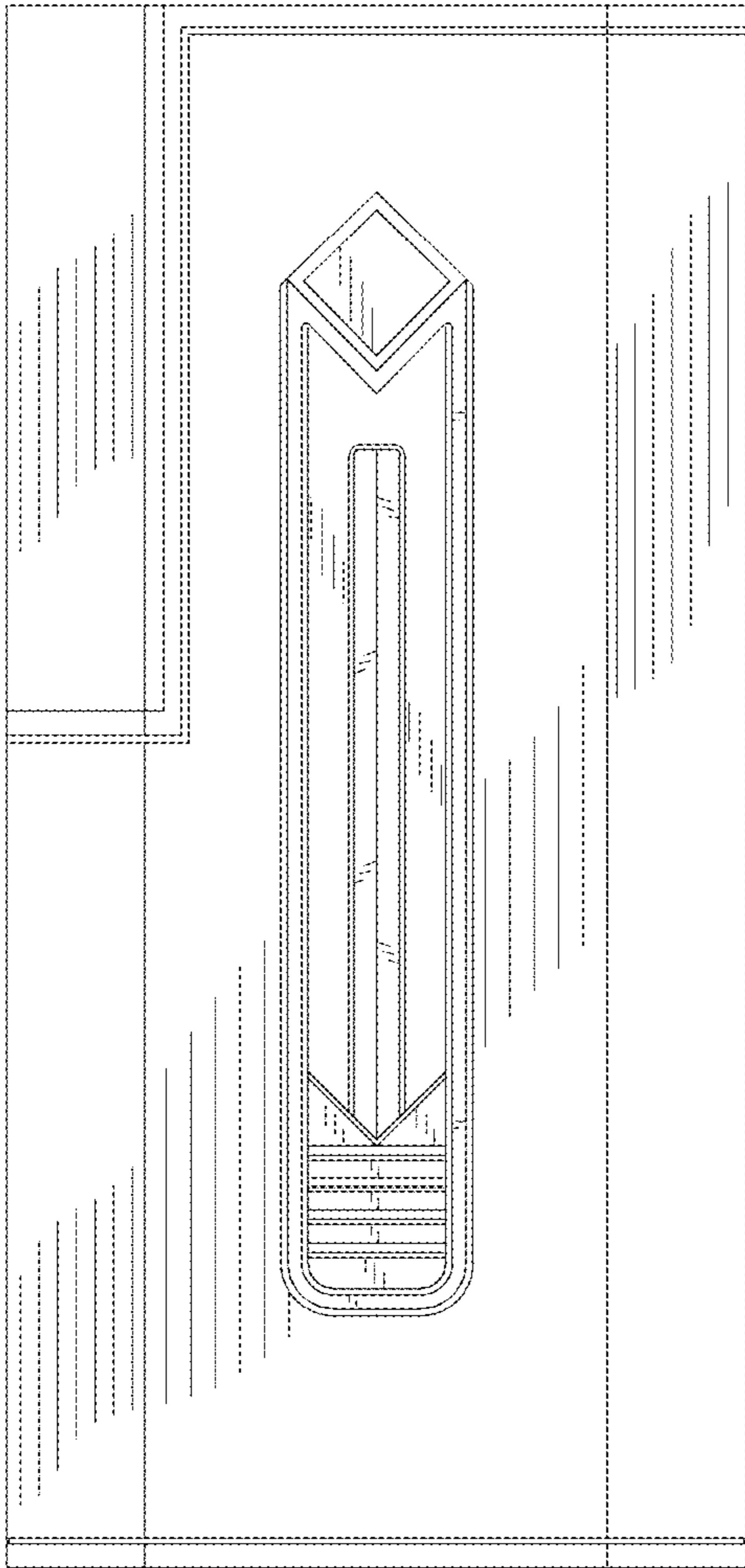


FIG. 2

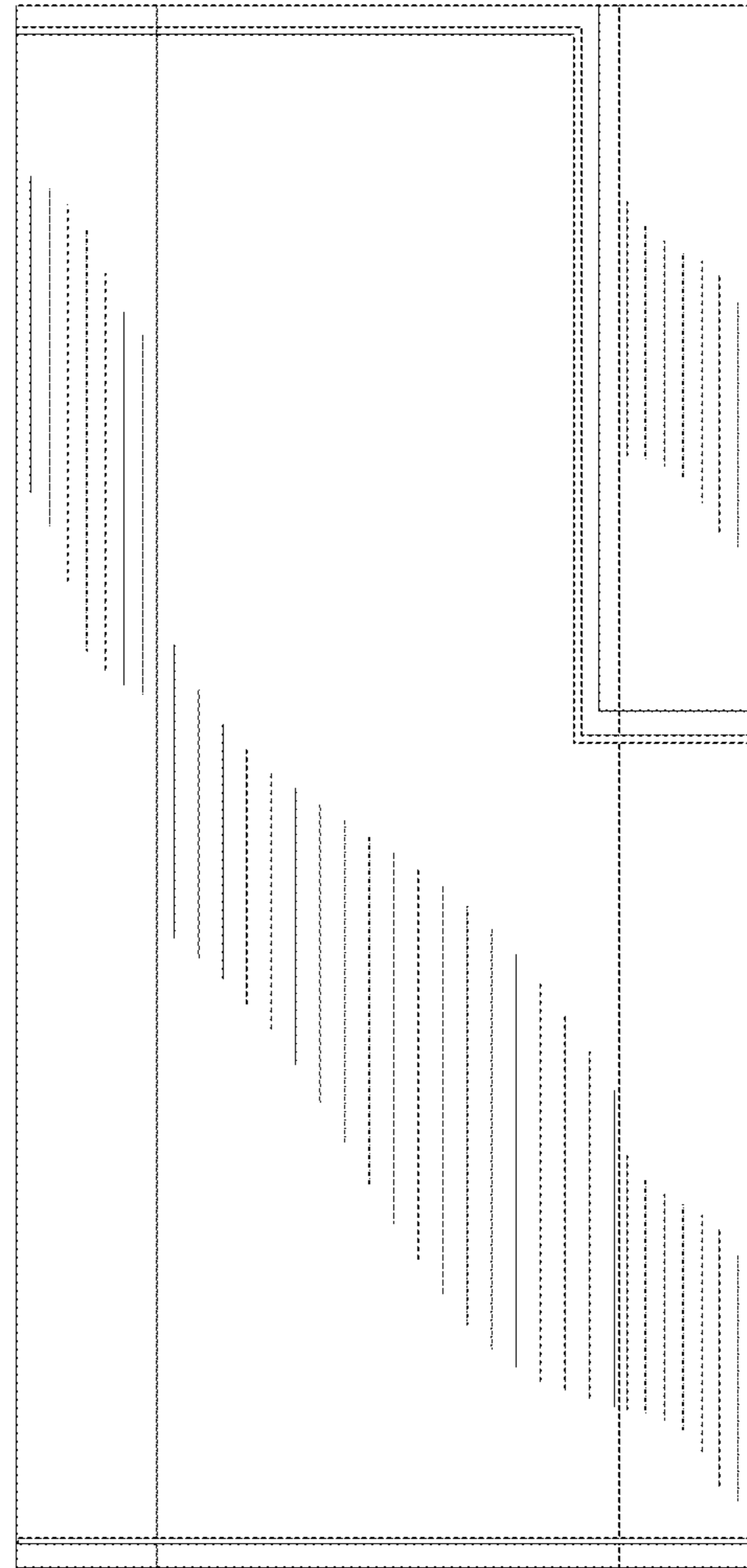


FIG. 3

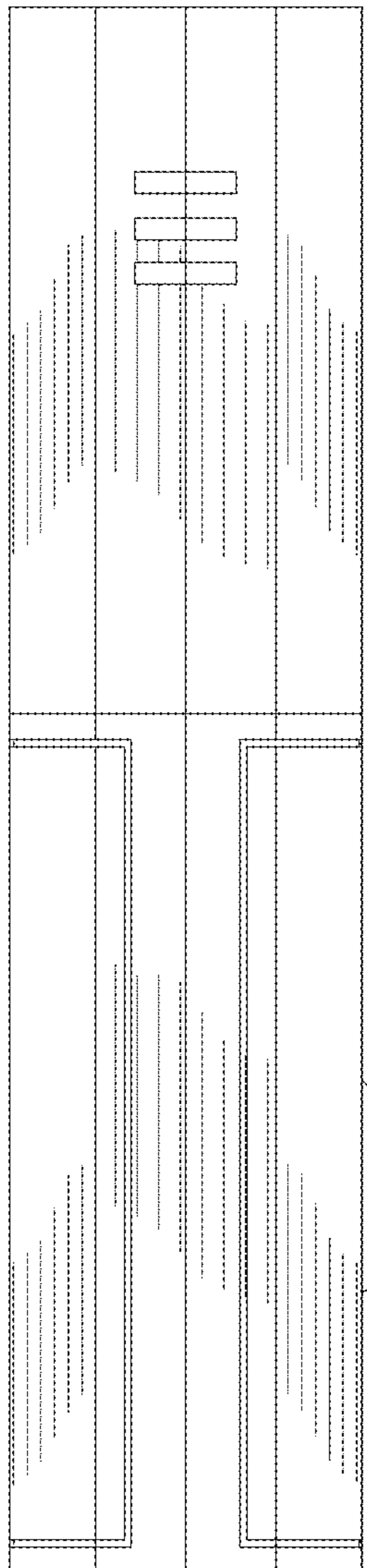


FIG. 4

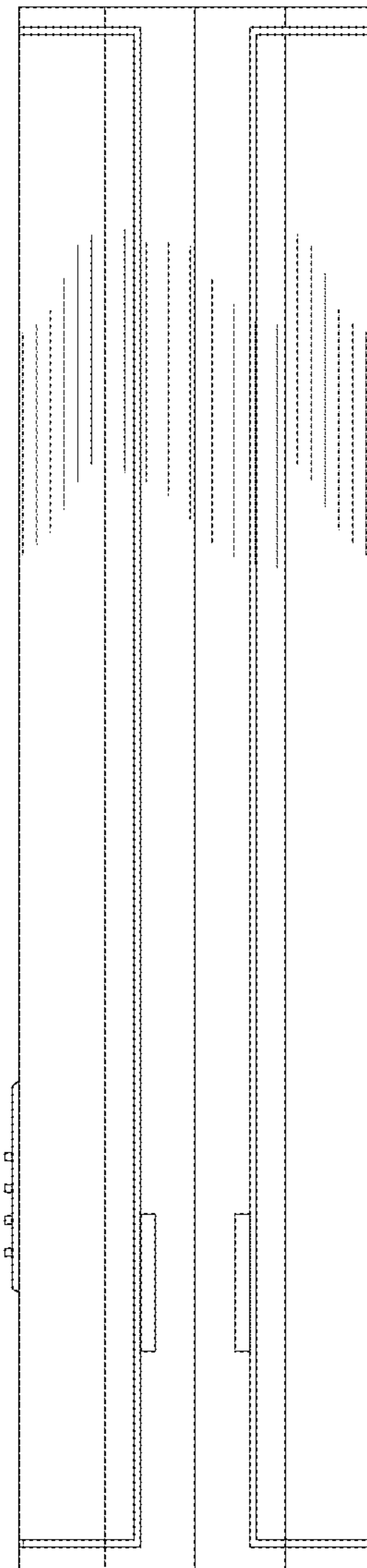


FIG. 5

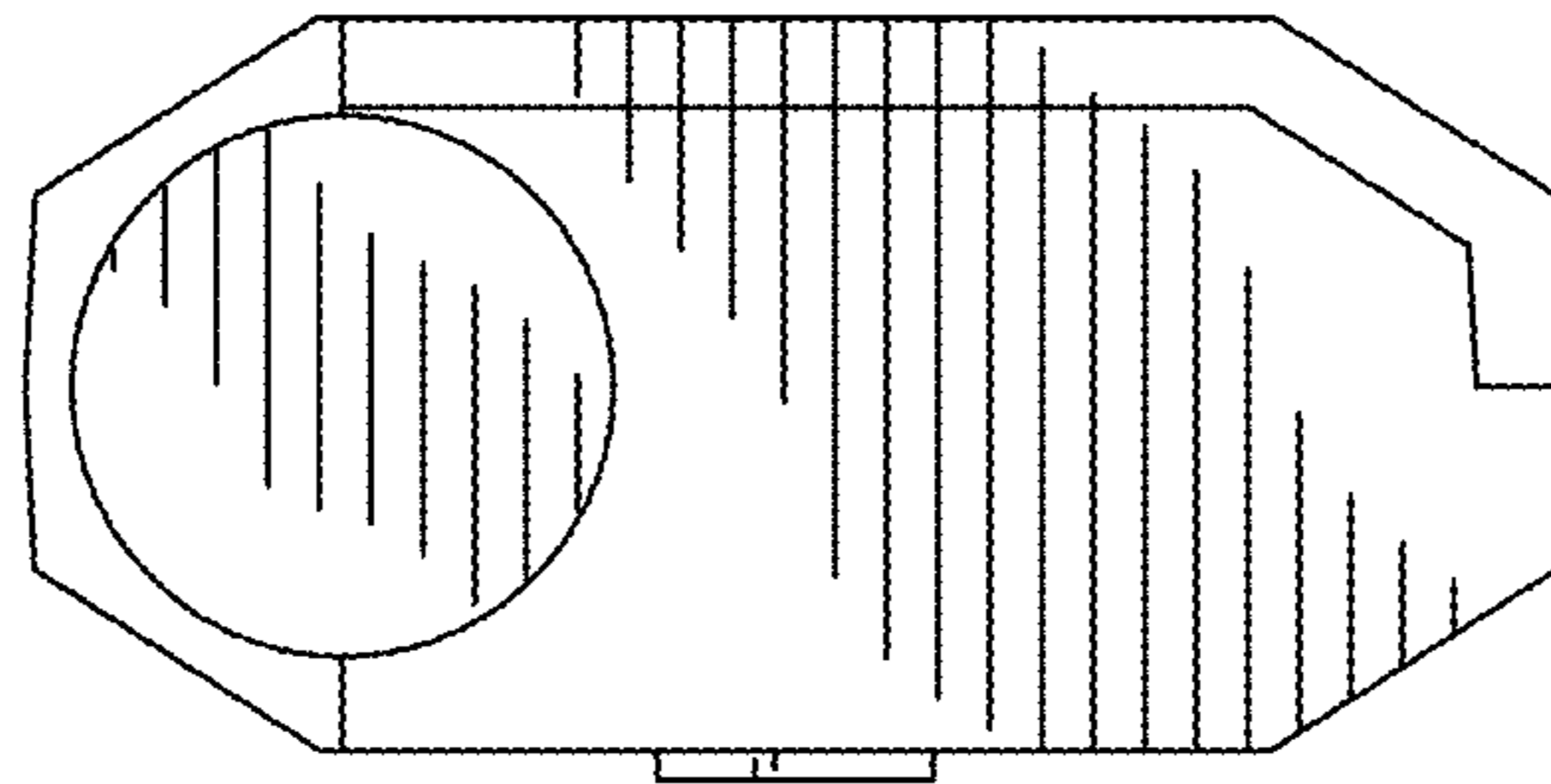


FIG. 6

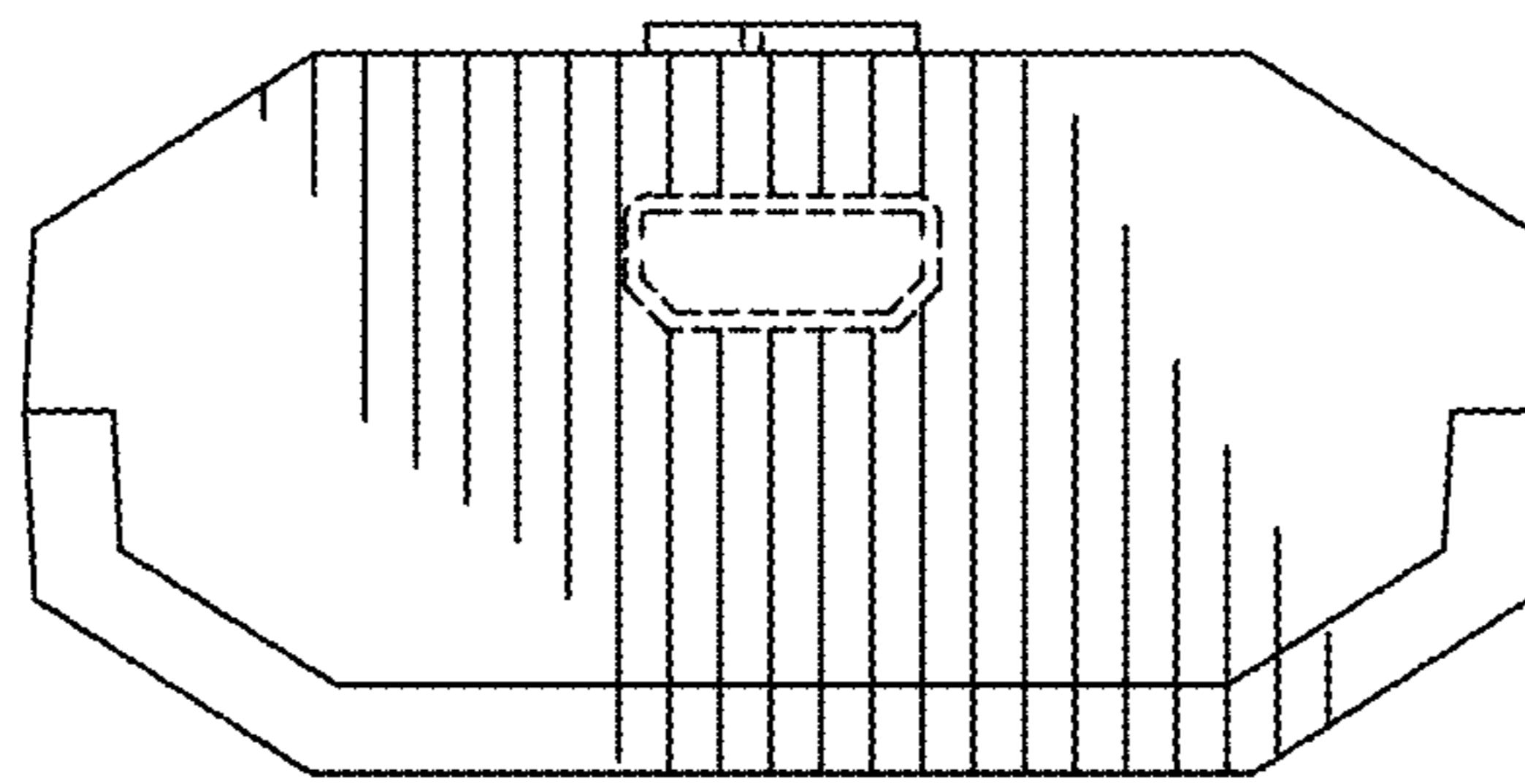


FIG. 7