



US00D772476S

(12) **United States Design Patent** (10) **Patent No.:** **US D772,476 S**  
**Smith et al.** (45) **Date of Patent:** **\*\* Nov. 22, 2016**

- (54) **CLIP-STYLE LIGHT**
- (71) Applicant: **Sol-Light, LLC**, Las Vegas, NV (US)
- (72) Inventors: **John Smith**, San Francisco, CA (US);  
**David Nelson**, Las Vegas, NV (US);  
**Wai-Ming Law**, Yuen Long (HK)
- (73) Assignee: **Sol-Light, LLC**, Las Vegas, NV (US)
- (\*\*) Term: **14 Years**
- (21) Appl. No.: **29/520,741**
- (22) Filed: **Mar. 17, 2015**
- (51) **LOC (10) Cl.** ..... **26-99**
- (52) **U.S. Cl.**  
USPC ..... **D26/142**
- (58) **Field of Classification Search**  
USPC ..... D26/2, 28, 72, 89, 113, 118, 119, 120,  
D26/122, 124, 128, 138, 142, 143, 145, 60;  
D13/180  
CPC .... F41C 27/00; F41C 33/0254; G02B 5/045;  
G02B 5/189; F21S 8/00; F21S 8/03; F21S  
8/026; F21S 8/02; F21S 8/003; F21S 8/043;  
F21S 8/06; F21S 8/04; F21V 7/005; F21V  
15/01; F21V 15/04; F21V 25/00; G02F  
2001/133607; F21Y 2103/00  
See application file for complete search history.

- (56) **References Cited**  
U.S. PATENT DOCUMENTS

D173,068 S *	9/1954	Harsh .....	D25/134
D177,916 S *	6/1956	Keck .....	D26/145
D214,253 S *	5/1969	Sonneman .....	D26/104
D264,633 S *	5/1982	Pearlman .....	D26/118
D269,297 S *	6/1983	Lebowitz .....	D26/60
D271,526 S *	11/1983	Zeller .....	D26/60
D280,030 S *	8/1985	Matthews .....	D26/60
D312,885 S *	12/1990	Louis .....	D26/60
D407,517 S *	3/1999	Zeller .....	D26/60
D436,202 S *	1/2001	Chen .....	D26/60

- D498,322 S \* 11/2004 Schnell ..... D26/60
- D509,012 S \* 8/2005 Chan ..... D26/60
- D522,157 S \* 5/2006 Schnell ..... D26/60
- D524,977 S \* 7/2006 Smith ..... D26/113
- D525,736 S 7/2006 Smith et al.
- D527,137 S \* 8/2006 Urich ..... D26/138
- D529,651 S \* 10/2006 Chan ..... D26/60
- D535,046 S 1/2007 Smith et al.
- 7,390,105 B2 \* 6/2008 Nelson ..... F21V 21/088  
362/198
- D590,533 S \* 4/2009 Li ..... D26/60
- D600,852 S \* 9/2009 Clepper ..... D26/138
- D600,853 S \* 9/2009 Clepper ..... D26/138
- 7,686,467 B2 3/2010 Nelson et al.
- D618,385 S 6/2010 Nelson et al.
- D618,386 S 6/2010 Nelson et al.
- D624,237 S \* 9/2010 Lavallee ..... D26/141
- D625,866 S \* 10/2010 Kang ..... D26/60

(Continued)

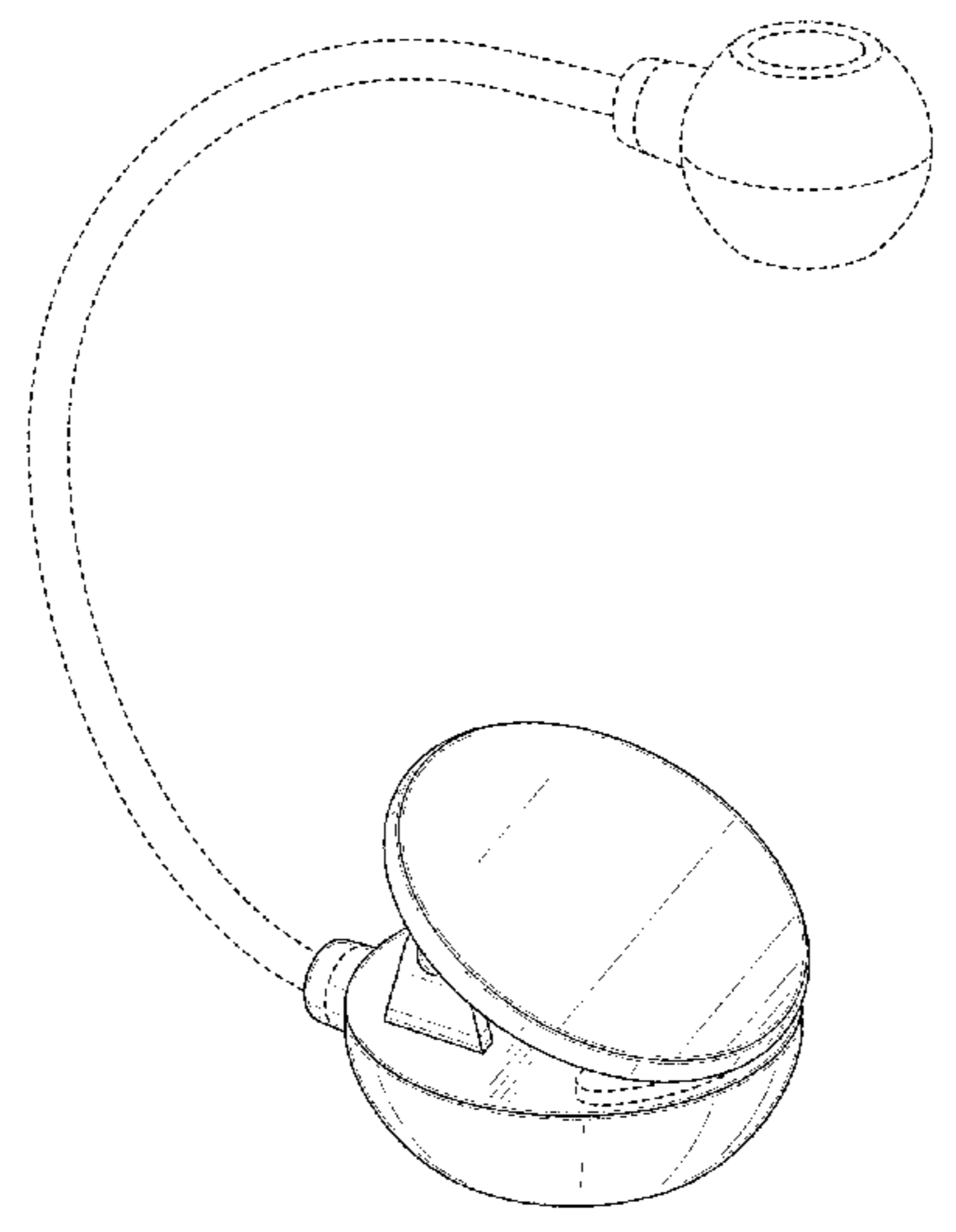
*Primary Examiner* — Rosemary K Tarcza  
*Assistant Examiner* — Sanjeev Paul  
(74) *Attorney, Agent, or Firm* — Banner & Witcoff, Ltd.

(57) **CLAIM**  
The ornamental design for a clip-style light, as shown and described.

**DESCRIPTION**

FIG. 1 is a perspective view of a clip-style light showing our new design;  
FIG. 2 is a front view thereof;  
FIG. 3 is a rear view thereof;  
FIG. 4 is a right side view thereof;  
FIG. 5 is a left side view thereof;  
FIG. 6 is a top view thereof; and,  
FIG. 7 is a bottom view thereof.  
The broken line immediately adjacent to the shaded area represents unclaimed boundaries of the design. The broken line near the disclaimed neck represents an unclaimed parting line. The broken line showing of the remainder of the clip-style light is for environmental purposes only and forms no part of the claimed design.

**1 Claim, 5 Drawing Sheets**



(56)

**References Cited**

U.S. PATENT DOCUMENTS

D629,943 S	12/2010	Nelson et al.	
D629,944 S	12/2010	Nelson et al.	
D629,946 S	12/2010	Nelson et al.	
D630,358 S	1/2011	Nelson et al.	
D636,916 S *	4/2011	Nelson .....	D26/60
D636,917 S *	4/2011	Nelson .....	D26/60
D636,918 S	4/2011	Nelson et al.	
D641,902 S *	7/2011	Chan .....	D26/60
D642,312 S *	7/2011	Rothman .....	D26/60
D648,883 S *	11/2011	Levine .....	D26/60
D650,107 S *	12/2011	Nettesheim .....	D26/60
D660,490 S *	5/2012	Hodgson .....	D26/60
D671,665 S *	11/2012	Mish .....	D26/60
8,408,733 B2	4/2013	Nelson et al.	
D720,879 S *	1/2015	Blum .....	D26/142
D732,216 S *	6/2015	Wiedenmann .....	D26/51
D732,217 S *	6/2015	Wiedenmann .....	D26/60
D753,868 S *	4/2016	Smith .....	D26/118
2012/0002405 A1	1/2012	Nelson et al.	

\* cited by examiner

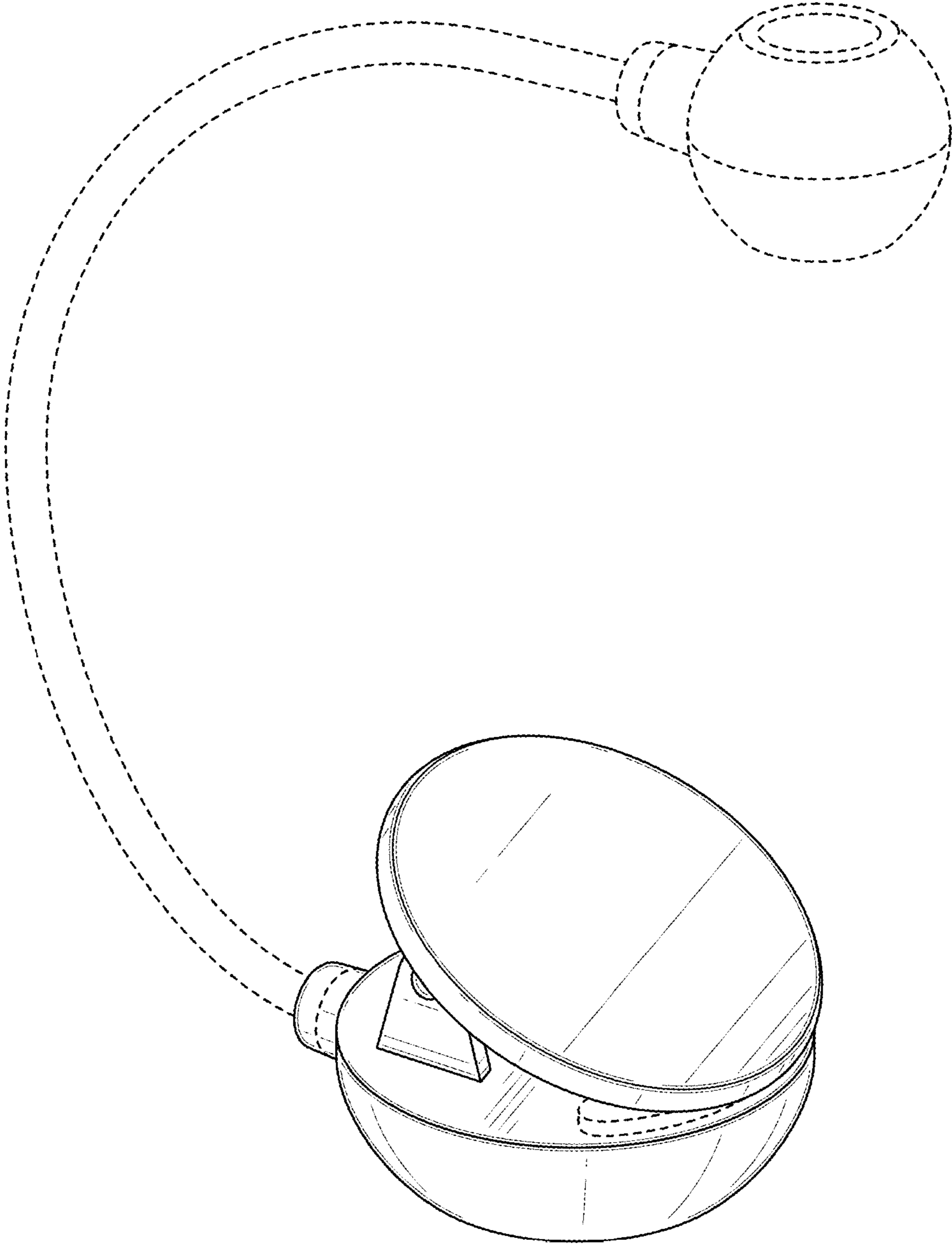


FIG. 1

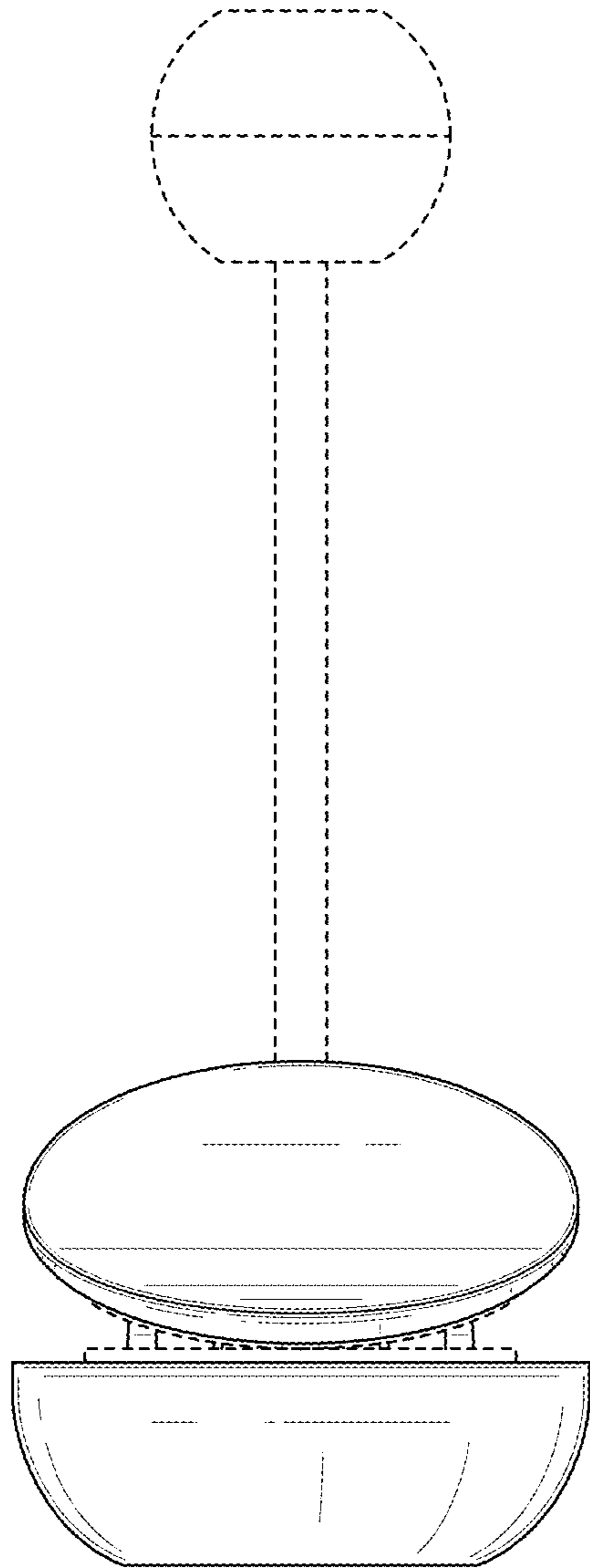


FIG. 2

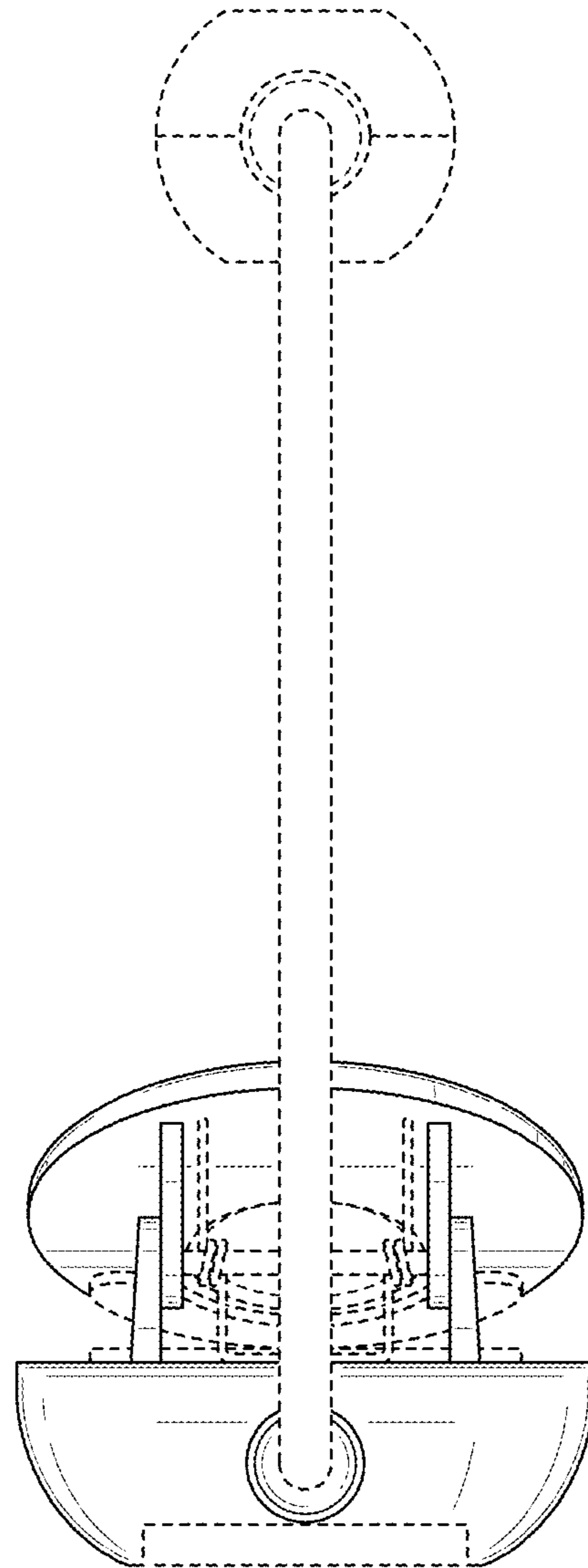


FIG. 3

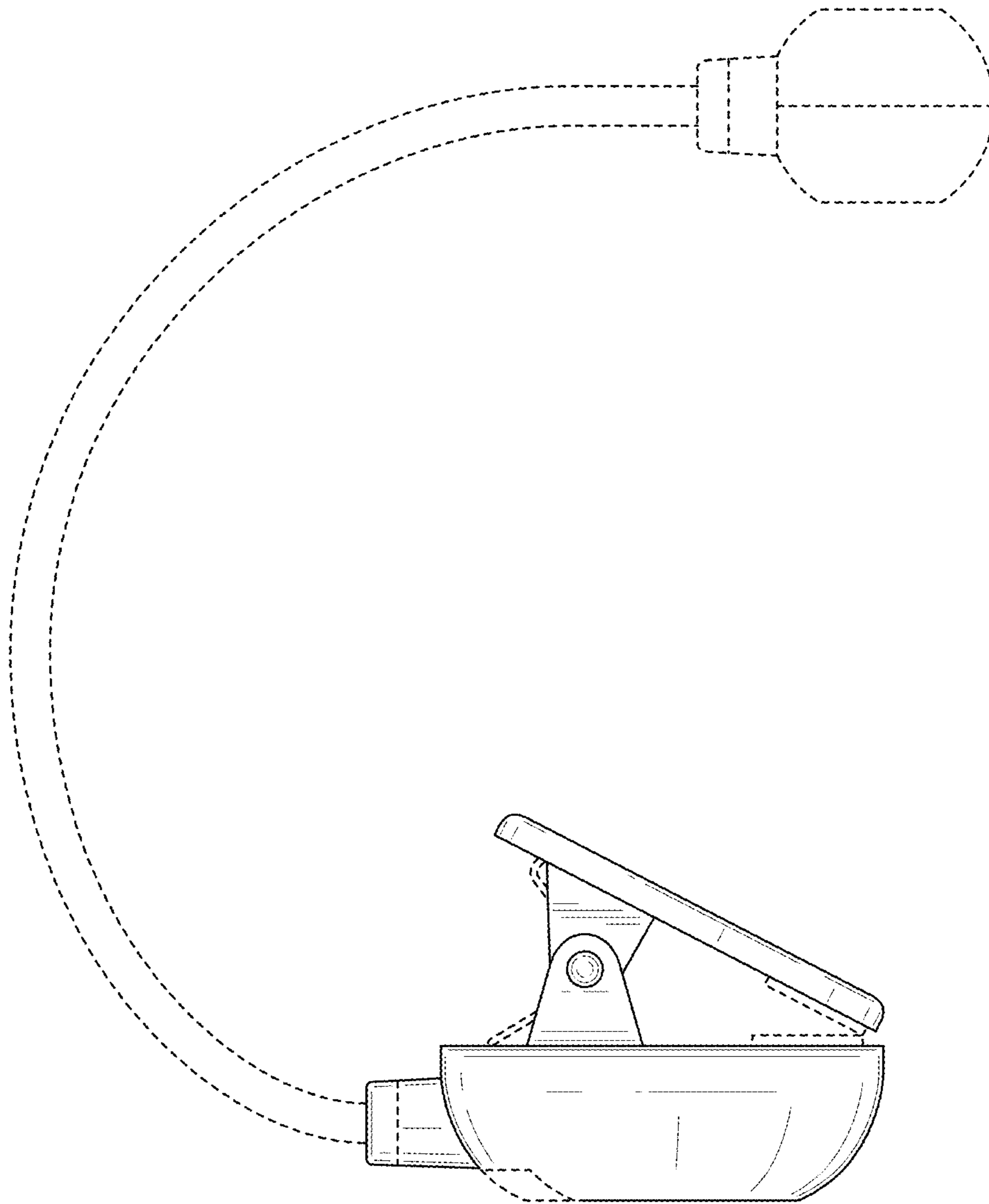


FIG. 4

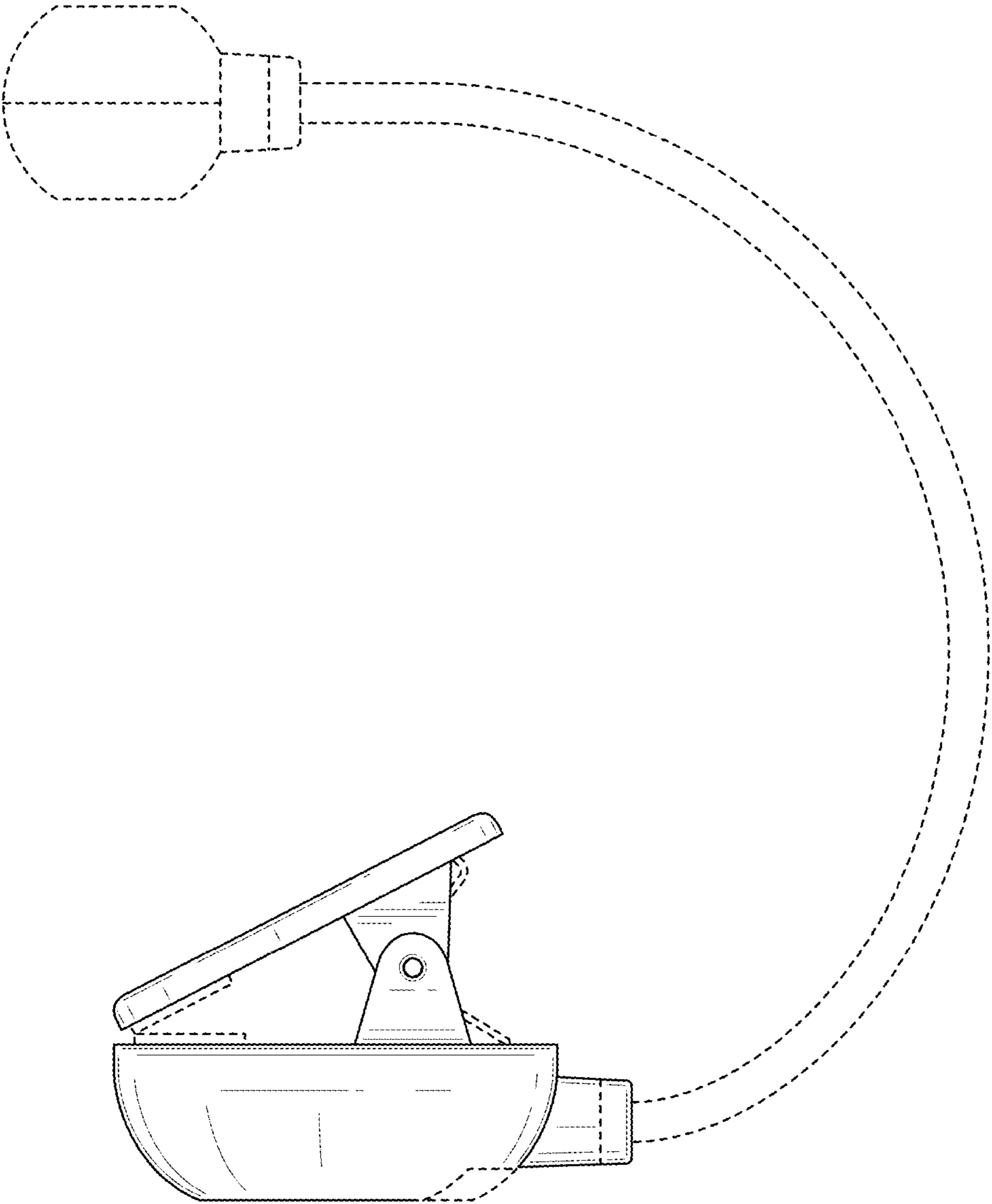


FIG. 5

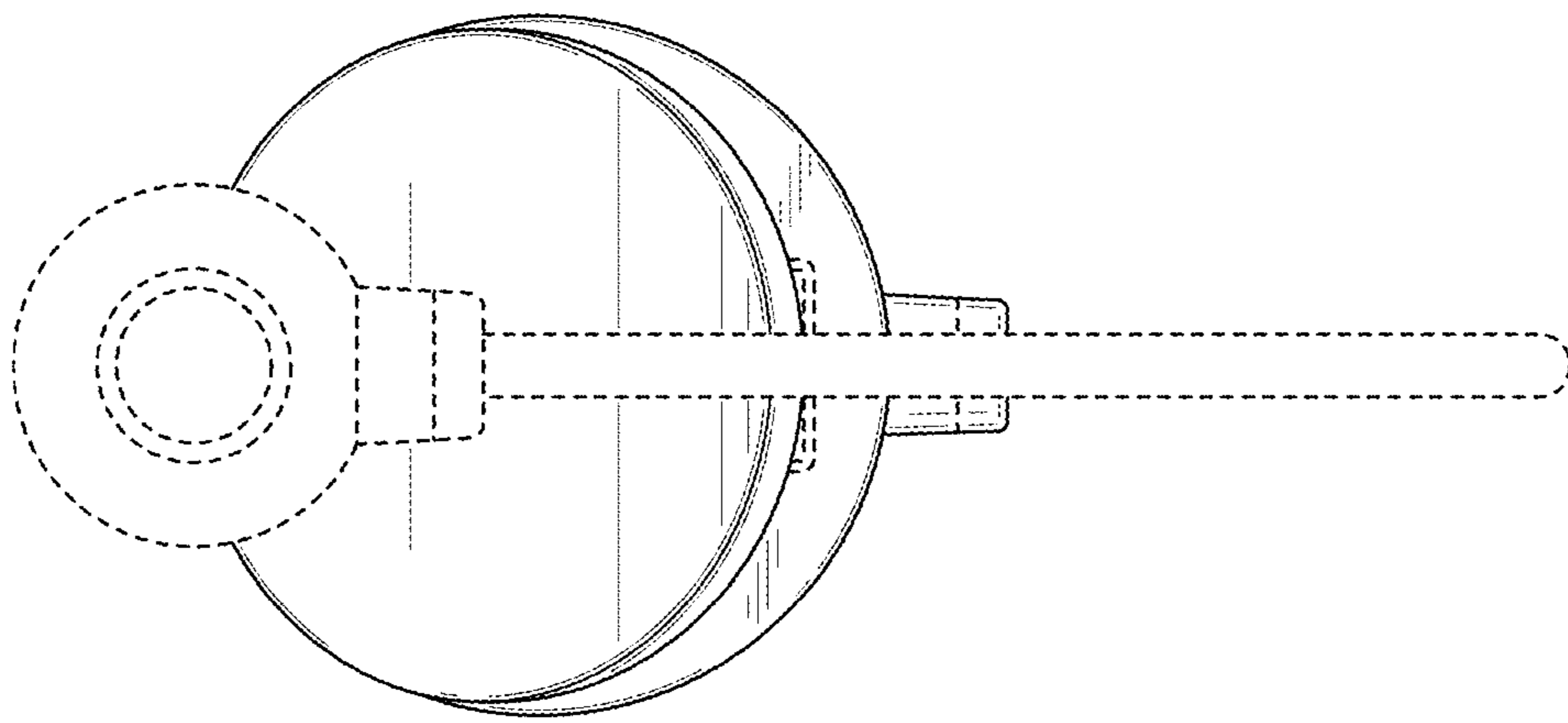


FIG. 6

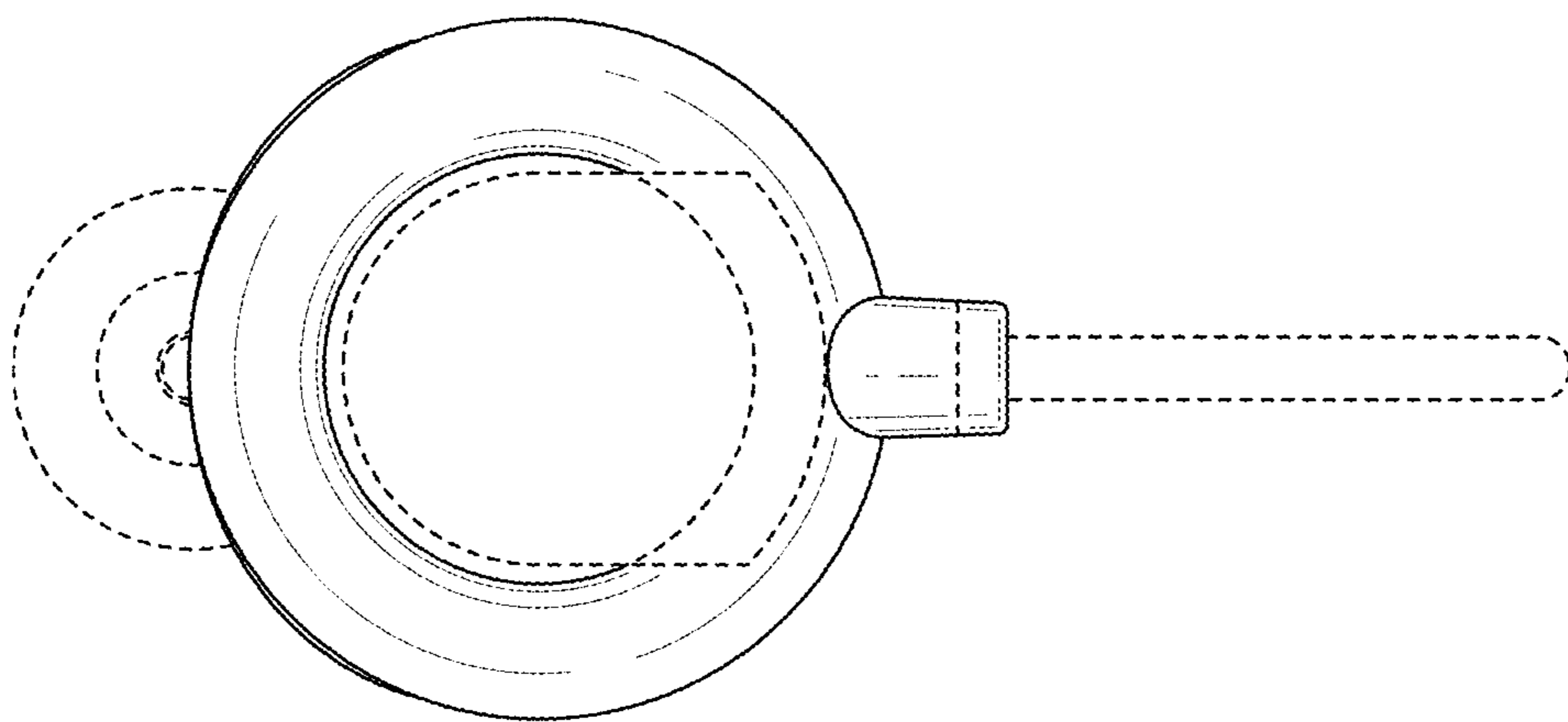


FIG. 7