



US00D772475S

(12) **United States Design Patent** (10) **Patent No.:** **US D772,475 S**  
**Sonneman** (45) **Date of Patent:** **\*\* Nov. 22, 2016**

(54) **SINGLE BAR HANGER FOR A LIGHTING SYSTEM**

(71) Applicant: **Robert A. Sonneman**, Mamaroneck, NY (US)

(72) Inventor: **Robert A. Sonneman**, Mamaroneck, NY (US)

(\*\*) Term: **15 Years**

(21) Appl. No.: **29/570,059**

(22) Filed: **Jul. 5, 2016**

(51) **LOC (10) Cl.** ..... **26-99**

(52) **U.S. Cl.**  
USPC ..... **D26/138**

(58) **Field of Classification Search**  
USPC ..... D26/76, 78, 79, 80, 81, 82, 83, 85, 88,  
D26/90, 93, 110, 118, 119, 120, 121, 122,  
D26/138, 140-142; D8/349, 354; D14/451  
CPC ..... F21S 4/00; F21S 4/003; F21S 4/006;  
F21S 4/007; F21S 4/008; F21S 6/004;  
F21S 6/005; F21K 9/54; F21V 15/01; F21V  
15/013

See application file for complete search history.

(56) **References Cited**

U.S. PATENT DOCUMENTS

D312,706 S \* 12/1990 Janesko ..... D26/138  
D367,220 S \* 2/1996 Bush ..... D8/373  
D430,699 S \* 9/2000 Coleman, Jr. .... D26/138  
D435,684 S \* 12/2000 Gary ..... D26/138  
6,283,771 B1 \* 9/2001 Mitchell ..... H01R 4/64  
439/95

D490,559 S \* 5/2004 Small ..... D26/138  
D571,640 S \* 6/2008 Misch ..... D8/354  
D632,838 S \* 2/2011 Cunius ..... D26/138  
D636,927 S \* 4/2011 Lin ..... D26/138  
D645,152 S \* 9/2011 Roggenkamp ..... D24/184  
D682,069 S \* 5/2013 Lehane ..... D8/349  
D747,636 S \* 1/2016 Maher ..... D8/72  
D752,954 S \* 4/2016 Lax ..... D8/354

\* cited by examiner

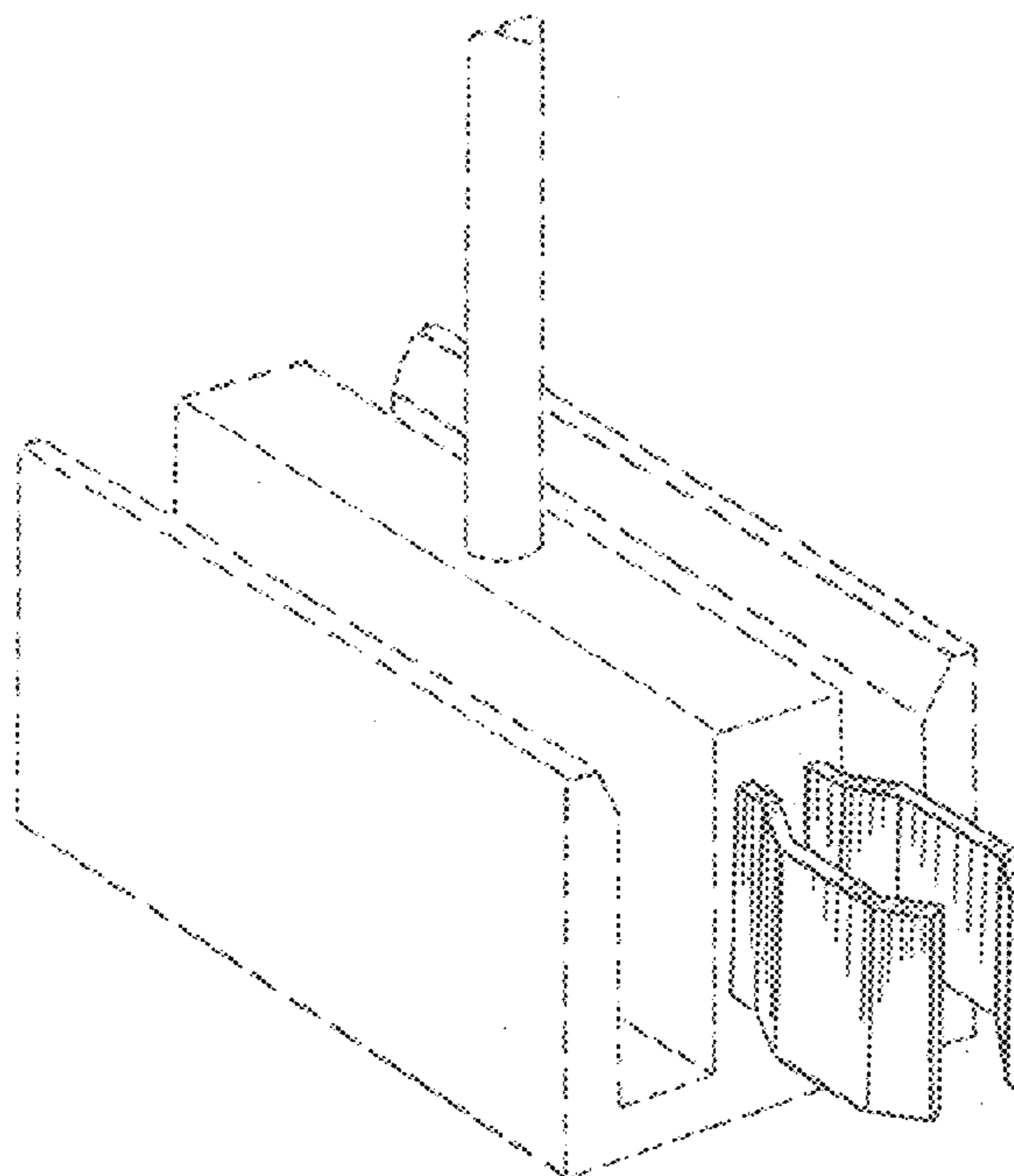
*Primary Examiner* — George D Kirschbaum  
*Assistant Examiner* — Natasha Vujcic  
(74) *Attorney, Agent, or Firm* — Gottlieb, Rackman & Reisman P.C.

(57) **CLAIM**  
The ornamental design for a single bar hanger for a lighting system, as shown and described.

**DESCRIPTION**

FIG. 1 is a perspective view of the single bar hanger for a lighting system showing my new design;  
FIG. 2 is a top plan view thereof;  
FIG. 3 is a front elevational view thereof;  
FIG. 4 is a right side elevational view thereof, the left side being a mirror image;  
FIG. 5 is a rear elevational view thereof; and,  
FIG. 6 is a bottom plan view thereof.  
The broken lines in the drawings are included for the purpose of illustrating portions of the article that form no part of the claimed design.

**1 Claim, 2 Drawing Sheets**



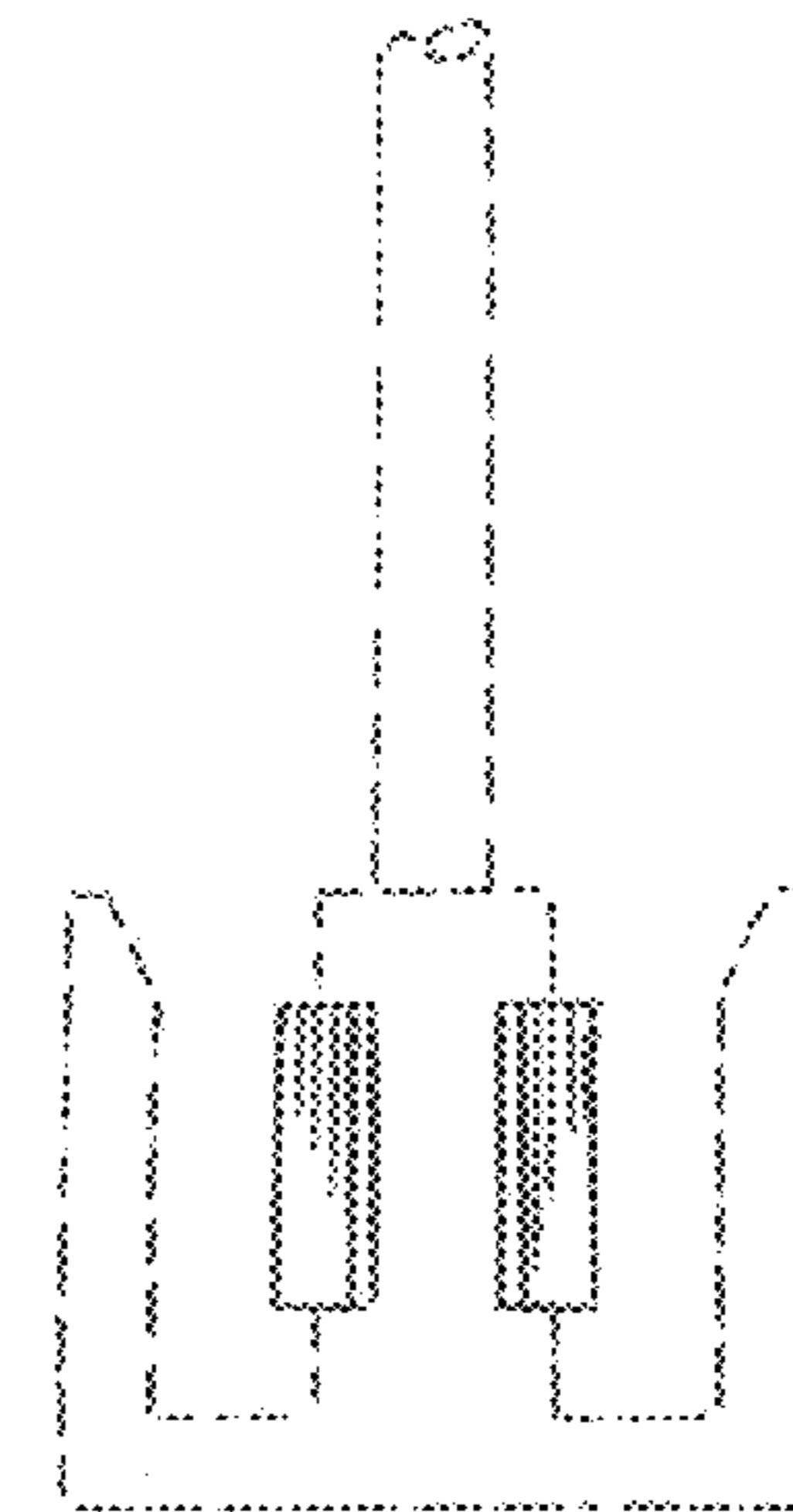
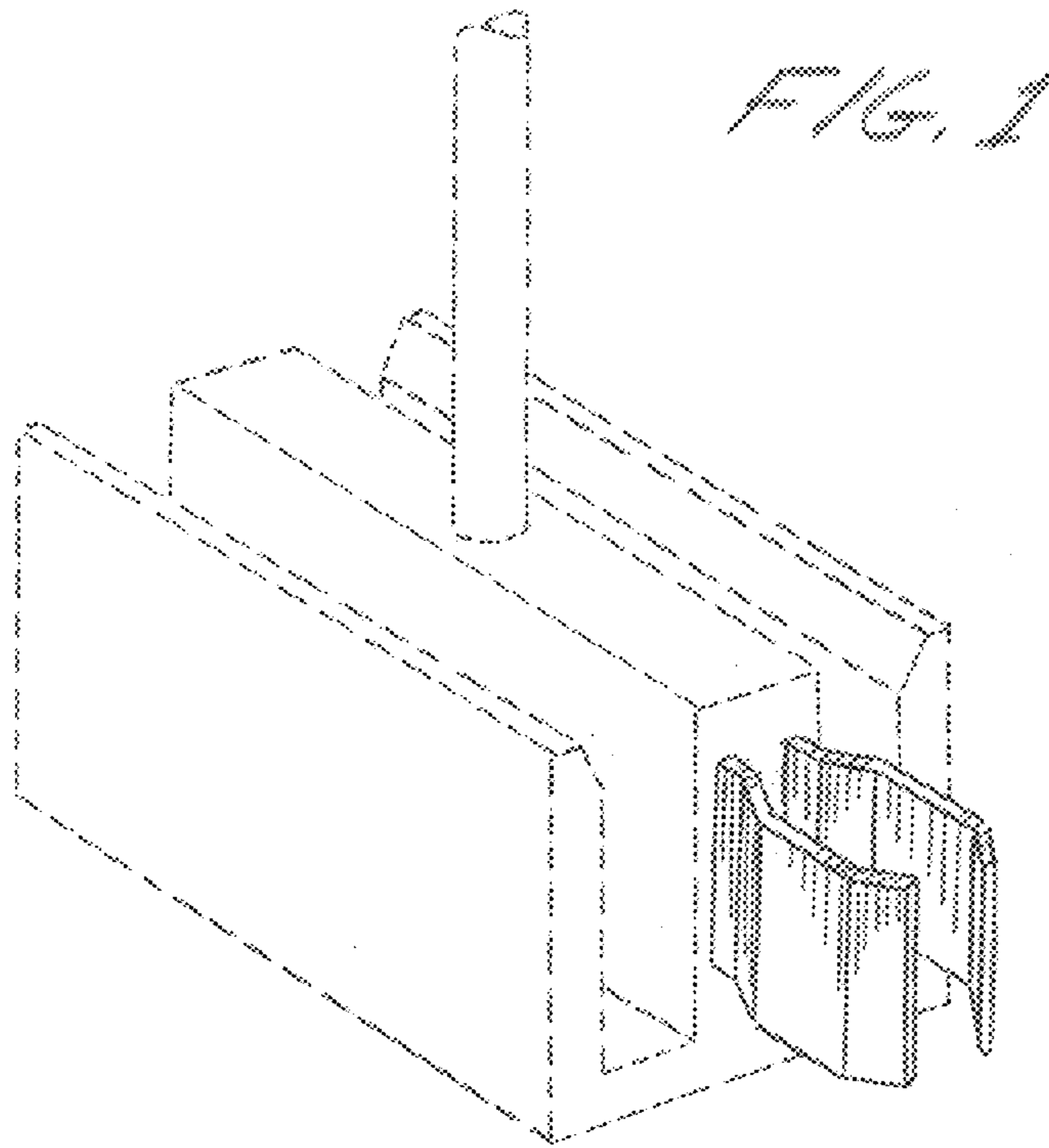


FIG. 2

