



US00D772474S

(12) **United States Design Patent** (10) **Patent No.:** **US D772,474 S**
Chang et al. (45) **Date of Patent:** **** Nov. 22, 2016**

(54) **LIGHTING FIXTURE**

(56) **References Cited**

(71) Applicant: **Atlas Lighting Products, Inc.**,
Burlington, NC (US)
(72) Inventors: **Cheng S. Chang**, Elon, NC (US); **Scott T. Ellingson**, Graham, NC (US); **James H. Bennett**, Greensboro, NC (US); **R. Samuel Hunt, III**, Burlington, NC (US)

U.S. PATENT DOCUMENTS

D190,922 S * 7/1961 Anthony D26/24
3,751,657 A 8/1973 Sangiamo et al.
3,775,606 A 11/1973 Bazell et al.
D345,025 S 3/1994 Tsao
D345,226 S 3/1994 Tsao

(Continued)

(73) Assignee: **Atlas Lighting Products, Inc.**,
Burlington, NC (US)

OTHER PUBLICATIONS

(**) Term: **15 Years**

“ASF Aeris by Lithonia”, (<http://www.acuitybrandslighting.com/library/LL/documents/PSG/ASF.pdf>), known at least as early as Jan. 8, 2014, 1 pg.

(21) Appl. No.: **29/539,022**

(Continued)

(22) Filed: **Sep. 10, 2015**

Primary Examiner — Cynthia Ramirez
Assistant Examiner — Llorelys Martinez-Rivera
(74) *Attorney, Agent, or Firm* — Womble Carlyle Sandridge & Rice, LLP

Related U.S. Application Data

(63) Continuation of application No. 29/494,228, filed on Jun. 18, 2014, now Pat. No. Des. 740,997, which is a continuation of application No. 29/478,845, filed on Jan. 9, 2014, now Pat. No. Des. 710,530.

(51) **LOC (10) Cl.** **26-99**

(57) **CLAIM**
The ornamental design for a lighting fixture, as shown and described.

(52) **U.S. Cl.**
USPC **D26/118**

DESCRIPTION

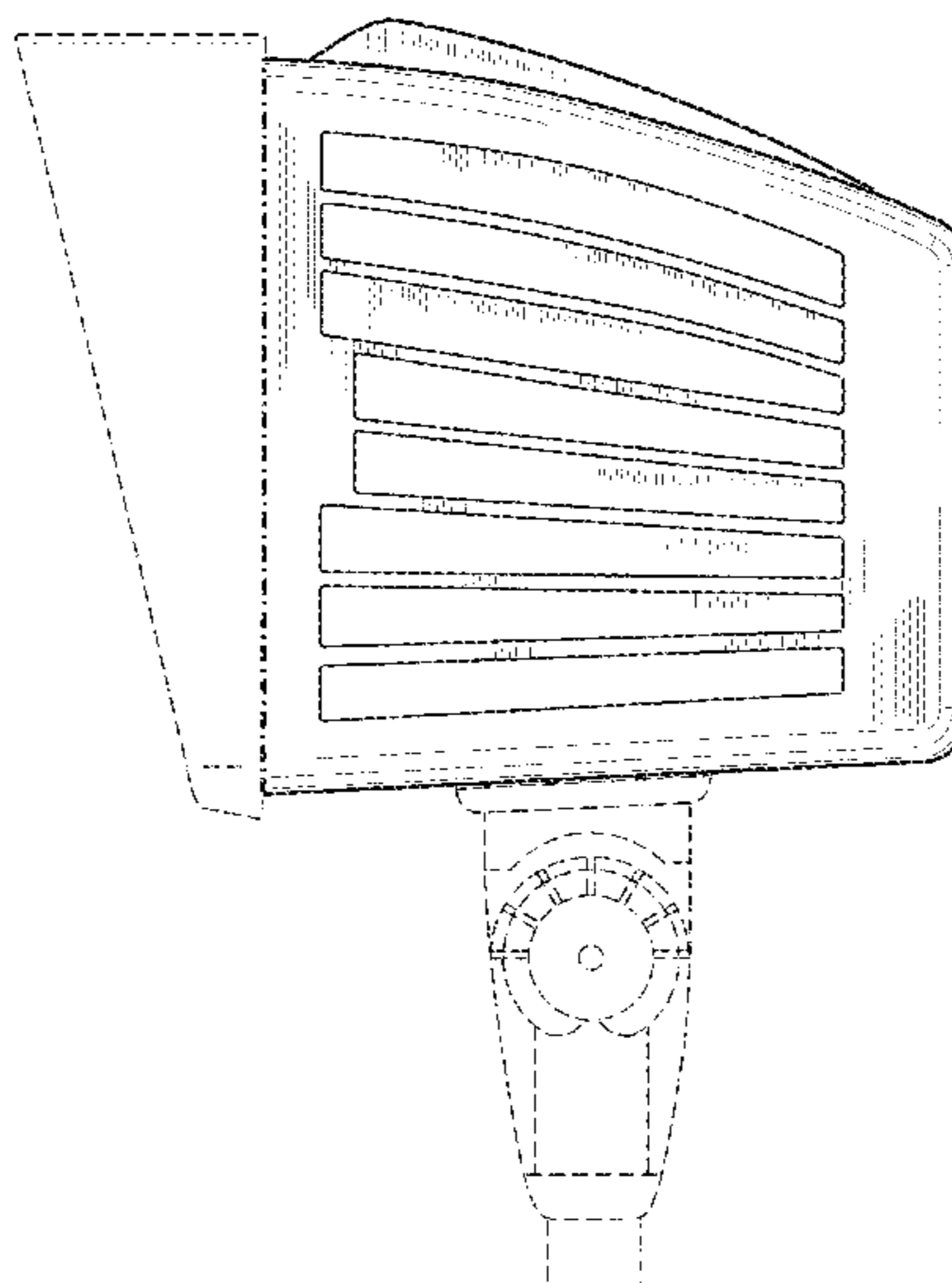
(58) **Field of Classification Search**
USPC D26/24, 26, 28, 29, 34, 37, 38, 43, 44, D26/51, 59, 60, 61, 63, 66, 67, 68, 72, 74, D26/76, 85, 86, 88, 89, 91, 113, 118, 119, D26/120, 122–124, 138, 140–146; 362/145–148, 150, 153, 153.1, 218, 362/249.01–249.05, 294, 296.01, 296.07, 362/296.08, 311.07, 311.09, 311.1, 345, 362/362, 364, 365, 366, 368, 370, 371, 373, 362/397, 404–406, 418, 427, 428, 460, 362/473–476, 546–548

FIG. 1 is a right side view of a lighting fixture showing our new design;
FIG. 2 is a top view thereof;
FIG. 3 is a rear view thereof;
FIG. 4 is a front view thereof; and,
FIG. 5 is a front right perspective view thereof.
The dash-dot lines in FIGS. 1 through 3 and 5, immediately adjacent to the shaded area, illustrate unclaimed boundaries of the design. The other broken lines in the drawings illustrate environmental subject matter only and form no part of the claimed design.

CPC .. F21V 29/74; F21V 29/745; F21V 29/2212; F21V 29/00; F21V 31/005; F21V 23/009

See application file for complete search history.

1 Claim, 5 Drawing Sheets



(56)

References Cited

U.S. PATENT DOCUMENTS

D355,502 S 2/1995 Liao
 D360,962 S 8/1995 Cornell et al.
 D407,836 S 4/1999 Leen
 D420,458 S 2/2000 Guercio
 D434,515 S 11/2000 McNamara
 D465,592 S * 11/2002 Lin D26/65
 D479,015 S 8/2003 Tang
 D482,153 S 11/2003 McNamara
 D545,987 S 7/2007 Guercio
 D547,477 S 7/2007 Guercio
 D547,478 S 7/2007 Guercio
 D549,380 S 8/2007 Guercio
 D550,387 S 9/2007 Guercio
 D550,392 S 9/2007 Guercio
 D551,789 S 9/2007 Mullen
 D552,282 S 10/2007 Guercio
 D552,283 S 10/2007 Guercio
 D561,369 S 2/2008 Sandell
 D561,370 S 2/2008 Sandell
 D563,587 S 3/2008 Quiogue et al.
 D565,223 S 3/2008 Guercio
 D566,318 S 4/2008 Quiogue et al.
 D574,102 S 7/2008 Quiogue et al.
 D598,144 S 8/2009 Ko
 D606,691 S 12/2009 Lindholm
 D610,296 S 2/2010 Boissevain et al.
 D618,374 S 6/2010 Guercio
 D625,450 S * 10/2010 Rosenkrantz D26/61
 D642,719 S 8/2011 Lindholm et al.
 D643,147 S 8/2011 Guercio et al.
 D650,112 S 12/2011 Bryant

D659,280 S 5/2012 Guercio et al.
 D670,024 S 10/2012 Green et al.
 D679,856 S 4/2013 Guercio et al.
 D708,778 S * 7/2014 Sibitzky D26/118
 D710,530 S 8/2014 Chang et al.
 D713,075 S 9/2014 Lee
 2010/0014289 A1 1/2010 Thomas et al.
 2015/0176829 A2* 6/2015 Guercio F21V 29/2206
 362/373
 2015/0292694 A1* 10/2015 Newton F21V 29/763
 362/296.01
 2015/0345770 A1* 12/2015 Badley F21V 29/74
 362/373

OTHER PUBLICATIONS

“CSXW-LED” by Lithonia Lighting (<http://www.lithonia.com/commercial/csxw-led.html#Uz7GnDfD-Ag>), known at least as early as Jan. 8, 2014, 2 pgs.
 “Laramie LFS LED” by Hubbell Outdoor Lighting, (http://www.hubbelloutdoor.com/products/laramie_lfs_led/?pbid=924038_1208957), known at least as early as Jan. 8, 2014, 2 pgs.
 “VFS Vision Flood Small LED” by Cooper Lighting (http://www.cooperindustries.com/content/dam/public/lighting/products/documents/invue/spec_sheets/invue-vfs-led-101240-sss.pdf), known at least as early as Jan. 8, 2014, 2 pgs.
 Atlas Lighting Products brochure entitled High Performance LED Fixtures—Atlas LED, known at least as early as Jul. 28, 2013, 28 pgs.
 RAB Lighting Spring 2014 LED Catalog, known at least as early as Mar. 2013, 54 pgs.

* cited by examiner

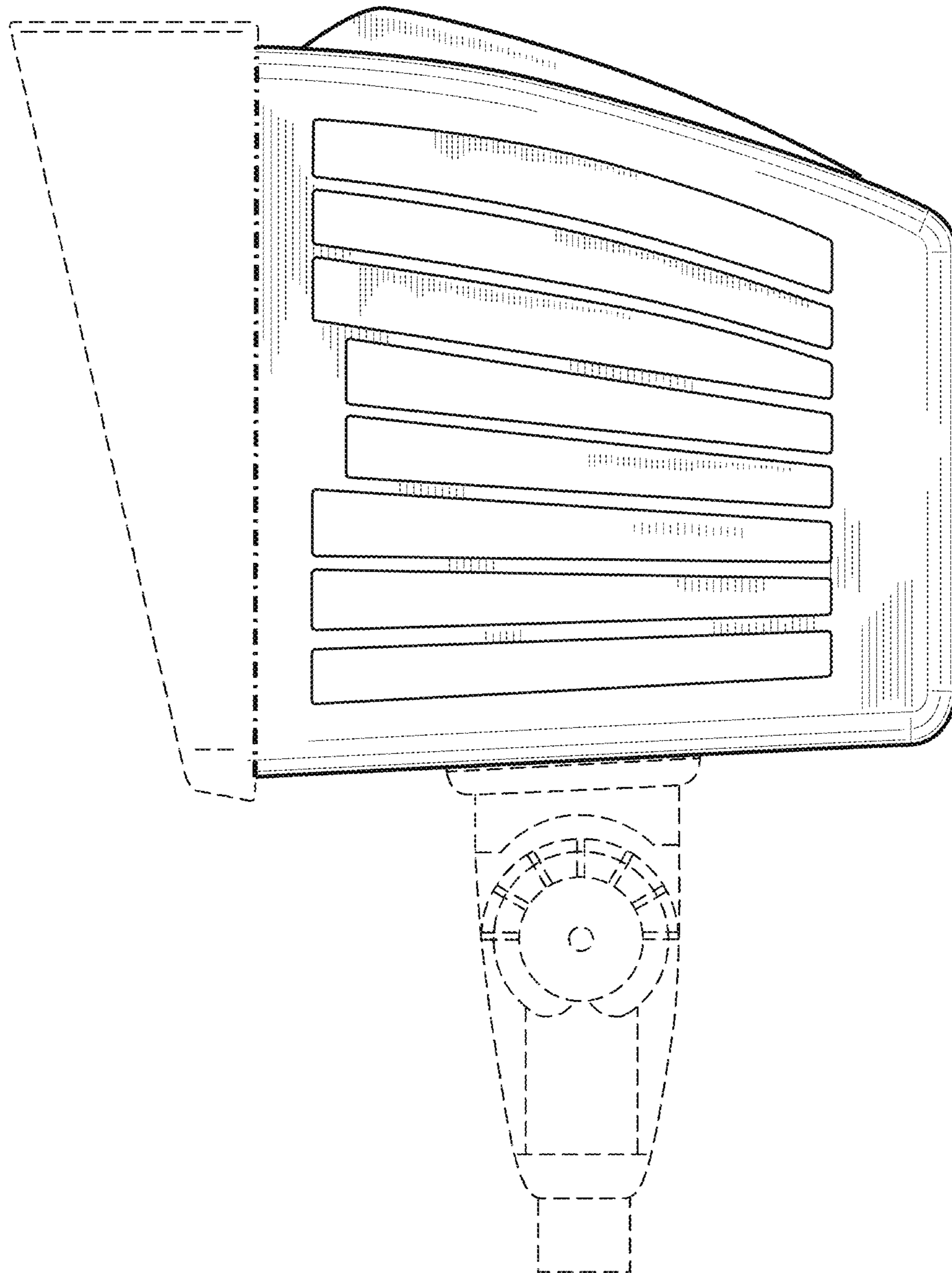


FIG. 1

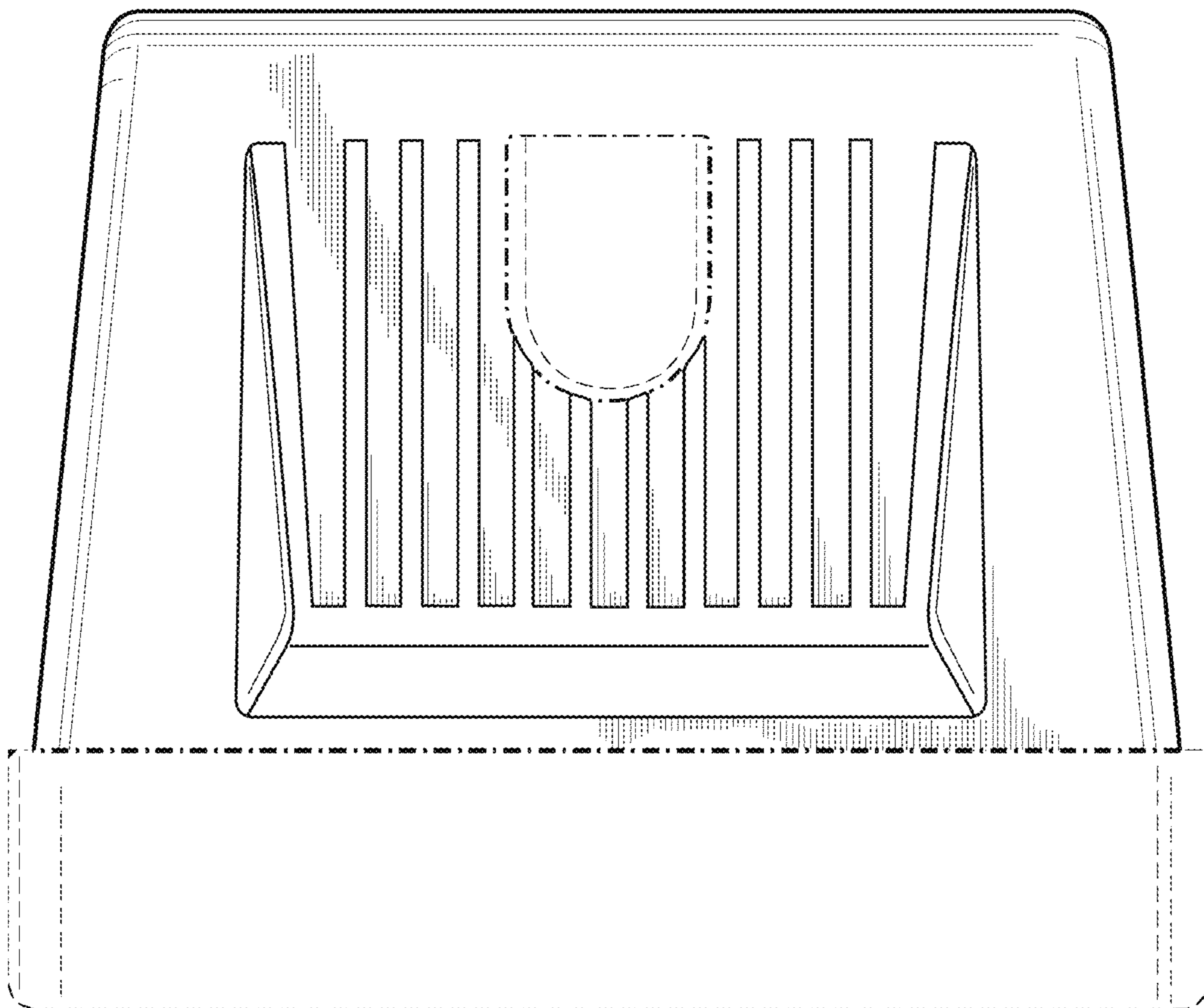


FIG. 2

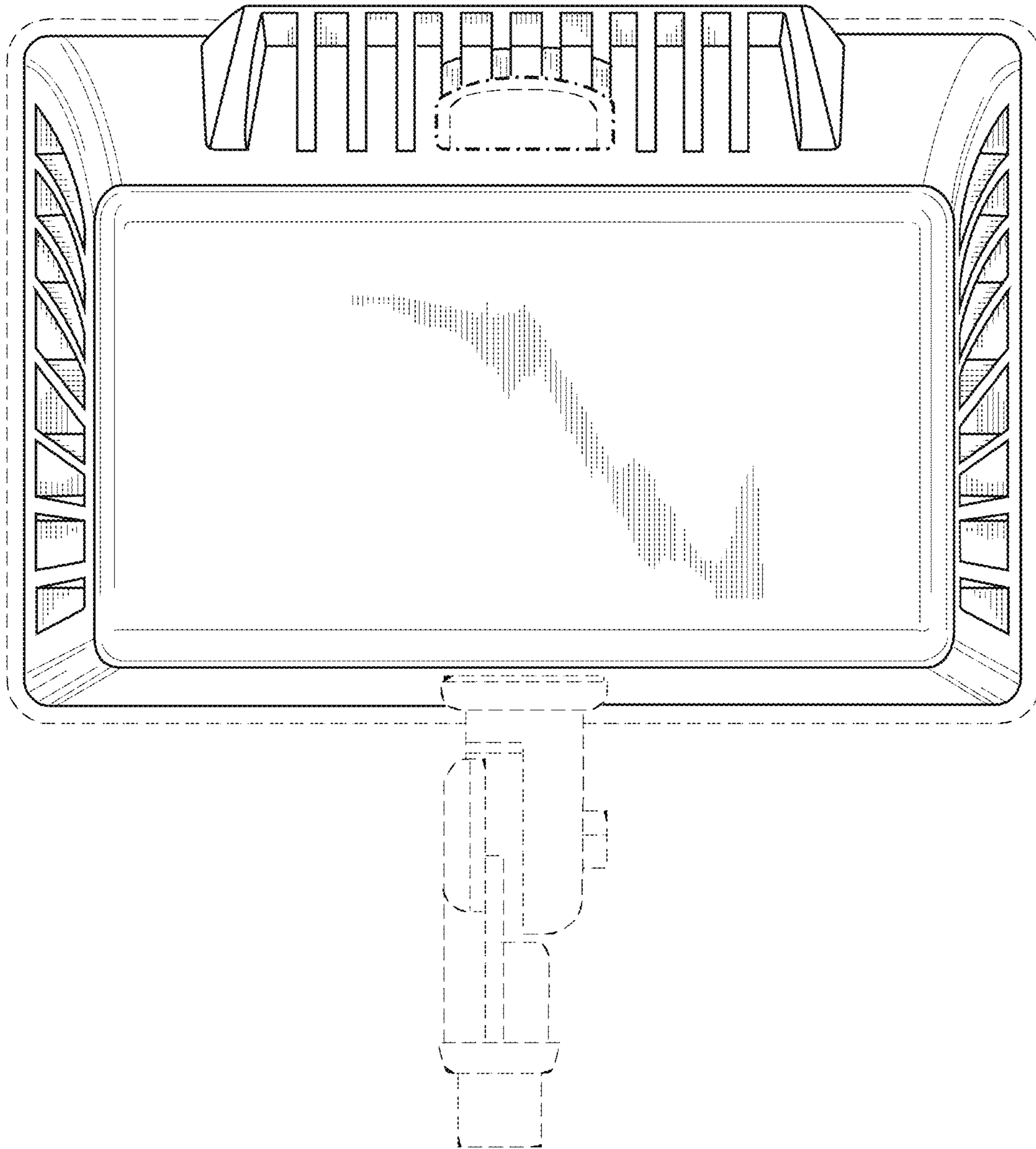


FIG. 3

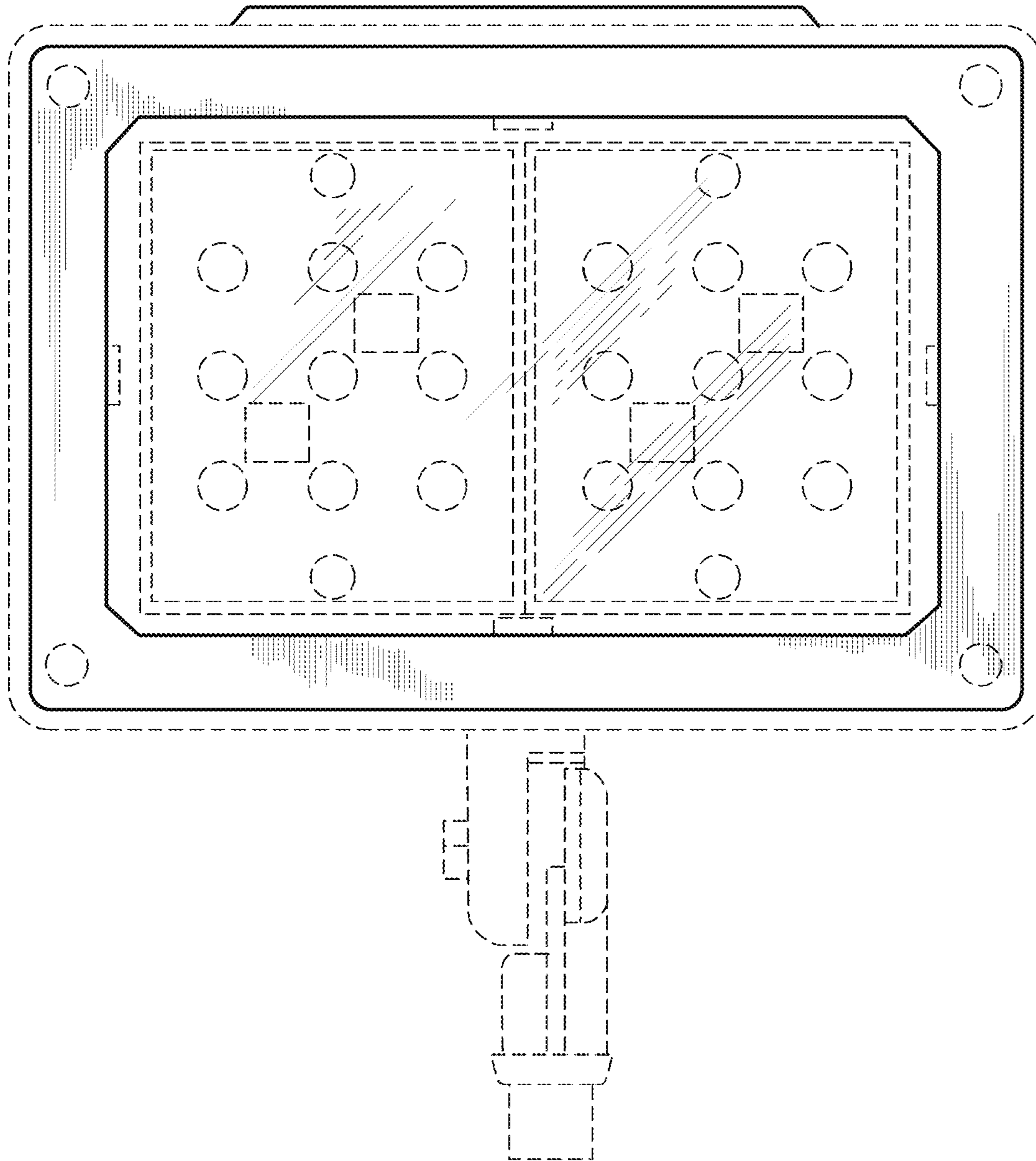


FIG. 4

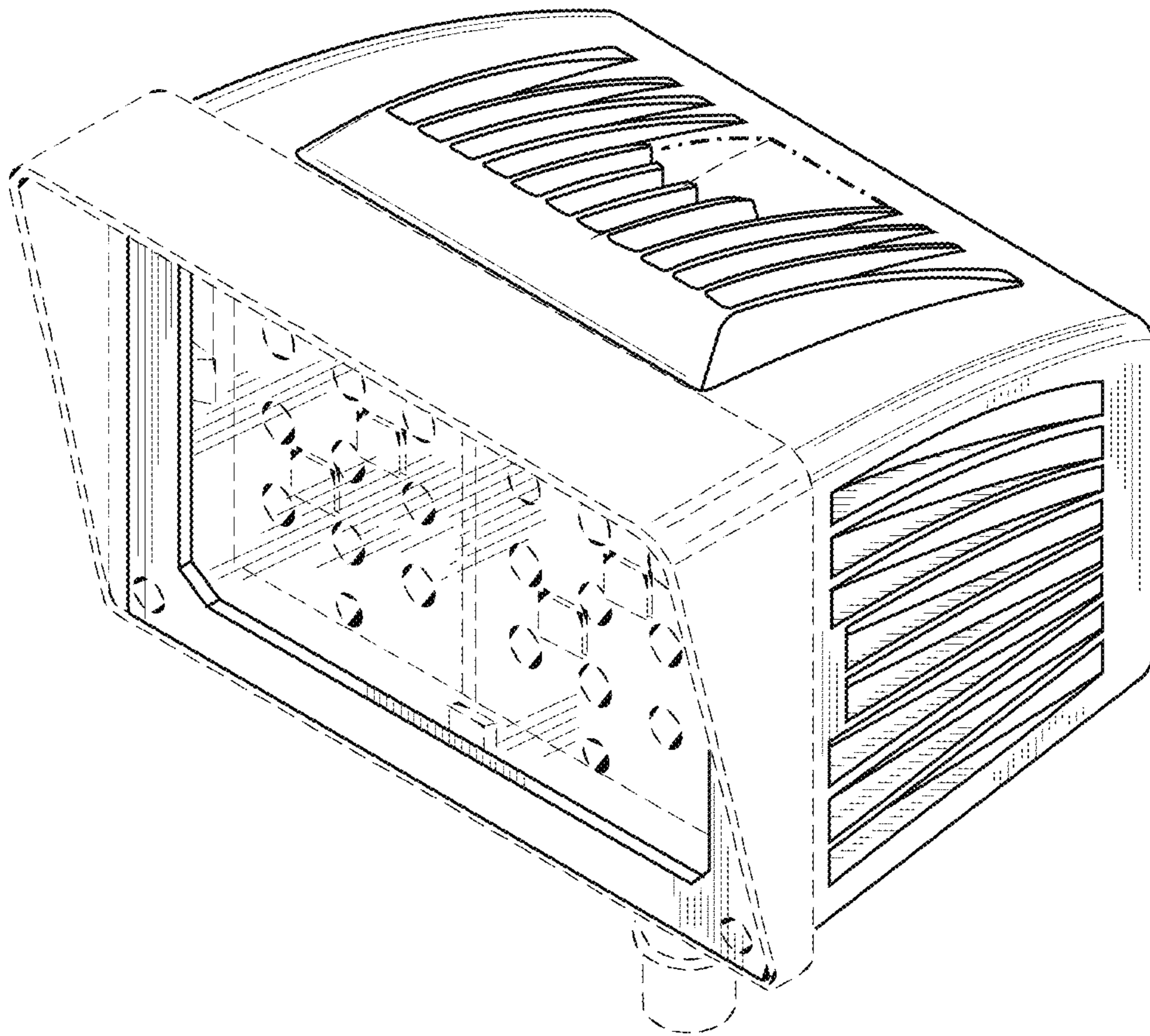


FIG. 5