



US00D772471S

(12) **United States Design Patent**  
**Hoffmann et al.**

(10) **Patent No.:** **US D772,471 S**

(45) **Date of Patent:** **\*\* Nov. 22, 2016**

(54) **CASING FOR A PORTABLE LIGHT**

D574,540 S \* 8/2008 Citterio ..... D26/107  
D725,811 S \* 3/2015 Quillet ..... D26/106  
D742,573 S \* 11/2015 Kern ..... D26/107

(71) Applicant: **d.light design, Inc.**, San Francisco, CA  
(US)

\* cited by examiner

(72) Inventors: **Eva Hoffmann**, San Francisco, CA  
(US); **Ji Guo Qing**, Shenzhen (CN)

*Primary Examiner* — Brian N Vinson

(73) Assignee: **d.light design, Inc.**, San Francisco, CA  
(US)

(74) *Attorney, Agent, or Firm* — Morgan, Lewis &  
Bockius LLP

(\*\*) Term: **15 Years**

(57) **CLAIM**

(21) Appl. No.: **29/543,242**

The ornamental design for a casing for a portable light, as shown and described.

(22) Filed: **Oct. 22, 2015**

(51) **LOC (10) Cl.** ..... **26-03**

(52) **U.S. Cl.**  
USPC ..... **D26/106**

**DESCRIPTION**

(58) **Field of Classification Search**  
USPC ..... D26/24, 93, 106, 138, 141, 142, 110,  
D26/102, 104, 105, 111  
CPC ..... F21S 6/00; F21S 6/002; F21S 8/043;  
F21V 21/02; F21V 21/116; F21W 2131/30  
See application file for complete search history.

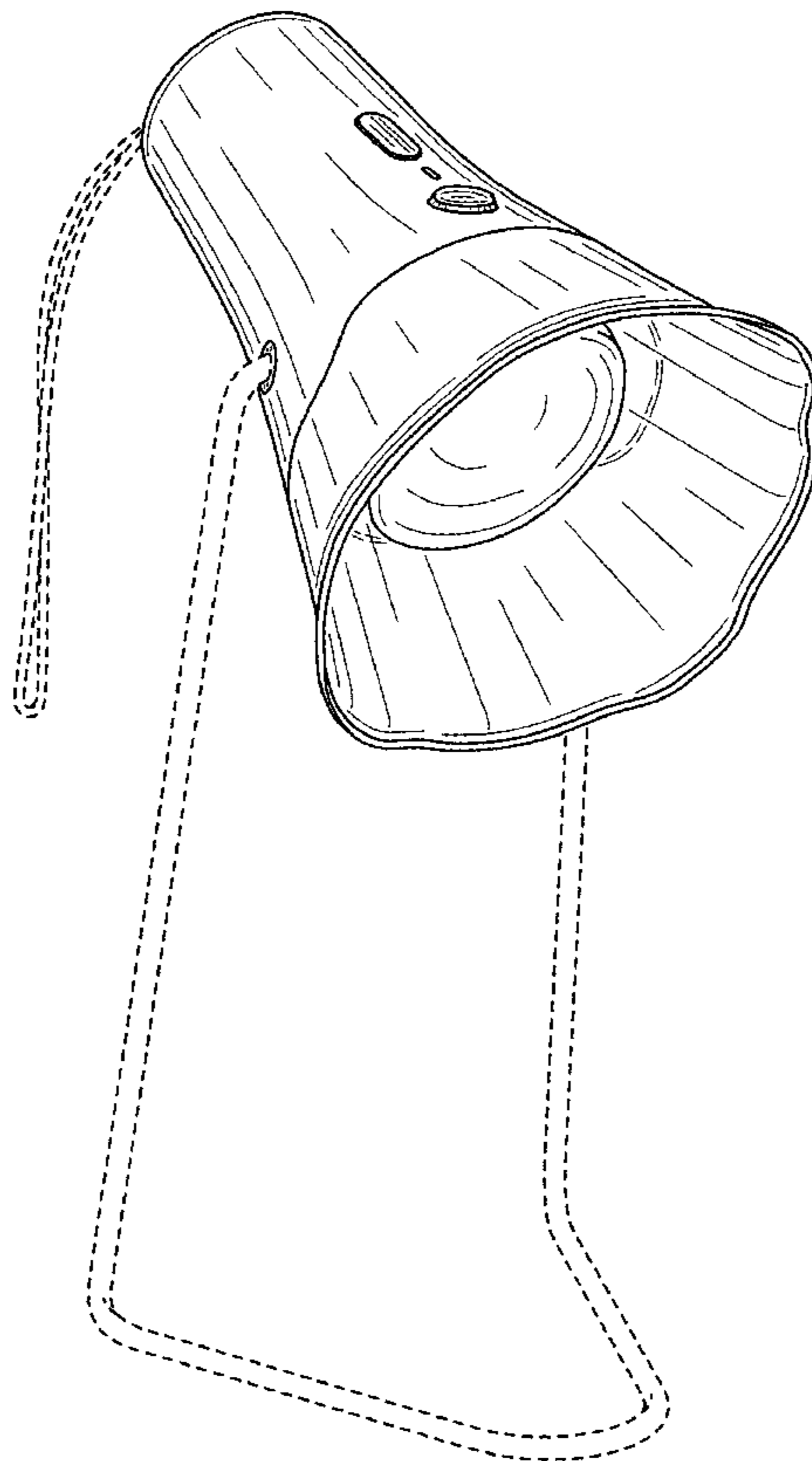
FIG. 1 is a front perspective view of our new design of a casing for a portable light;  
FIG. 2 is front view of the design of FIG. 1;  
FIG. 3 is a back view of the design of FIG. 1;  
FIG. 4 is a left side view of the design of FIG. 1;  
FIG. 5 is a right side view of the design of FIG. 1;  
FIG. 6 is a top view of the design of FIG. 1; and,  
FIG. 7 is a bottom view of the design of FIG. 1.  
The broken lines in FIGS. 1 through 7 are for illustrative purposes only and form no part of the claimed design.

(56) **References Cited**

**U.S. PATENT DOCUMENTS**

D480,827 S \* 10/2003 Hsieh ..... D26/108

**1 Claim, 7 Drawing Sheets**



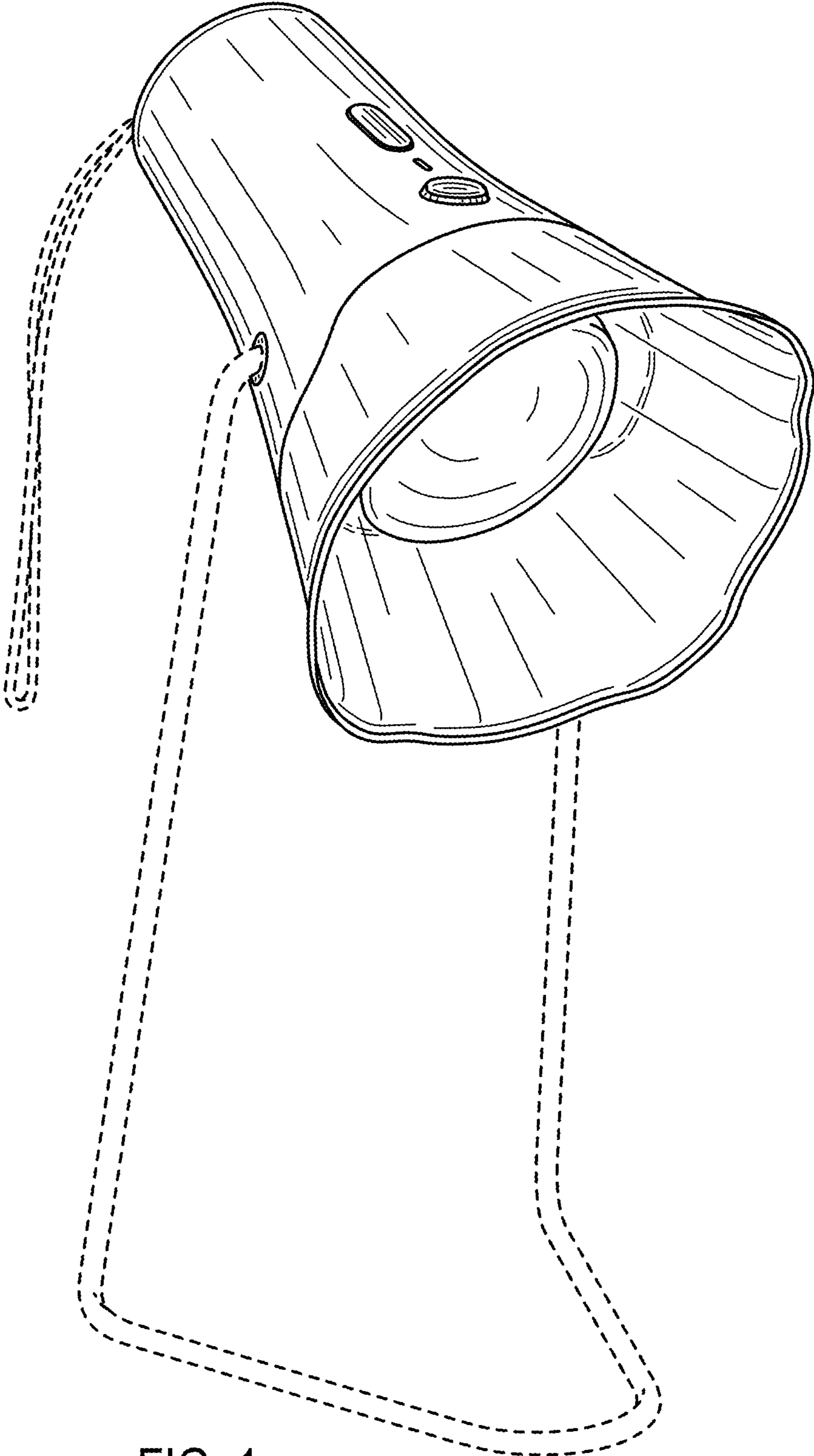


FIG. 1

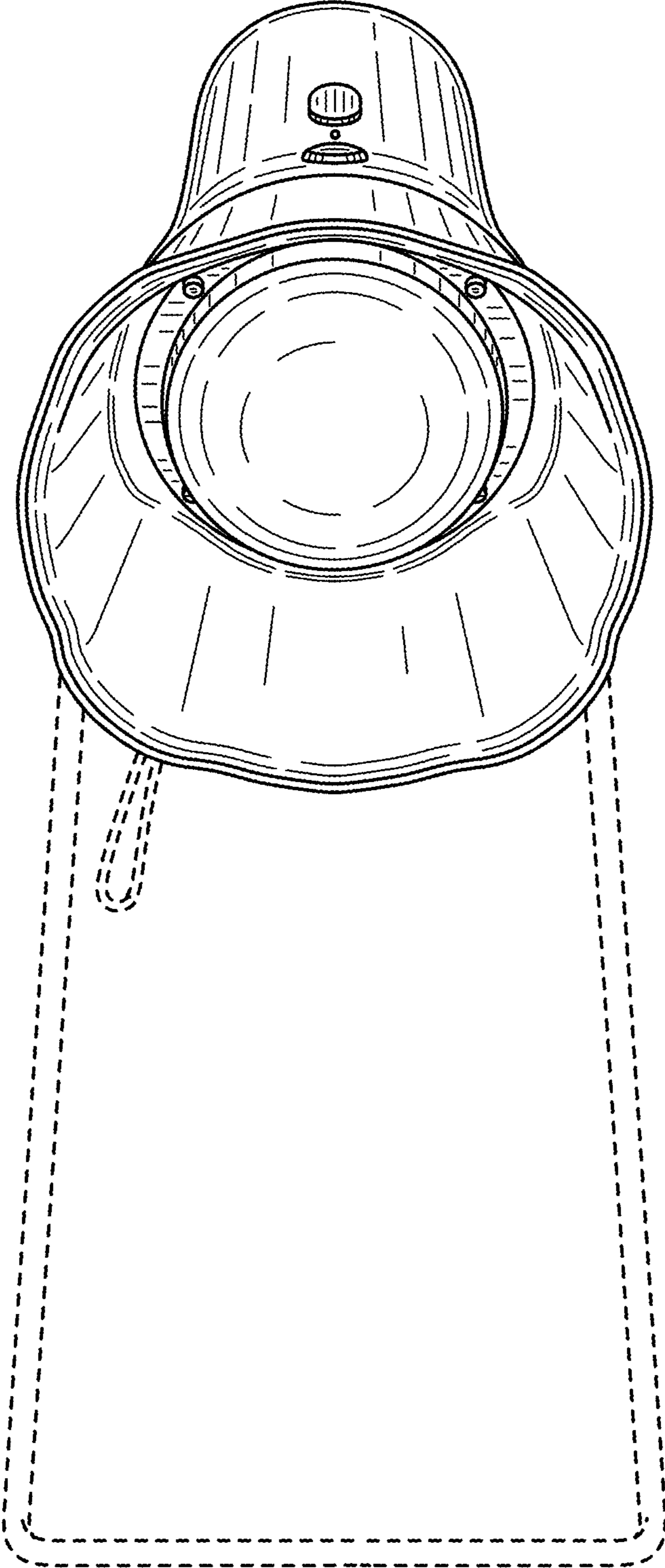


FIG. 2

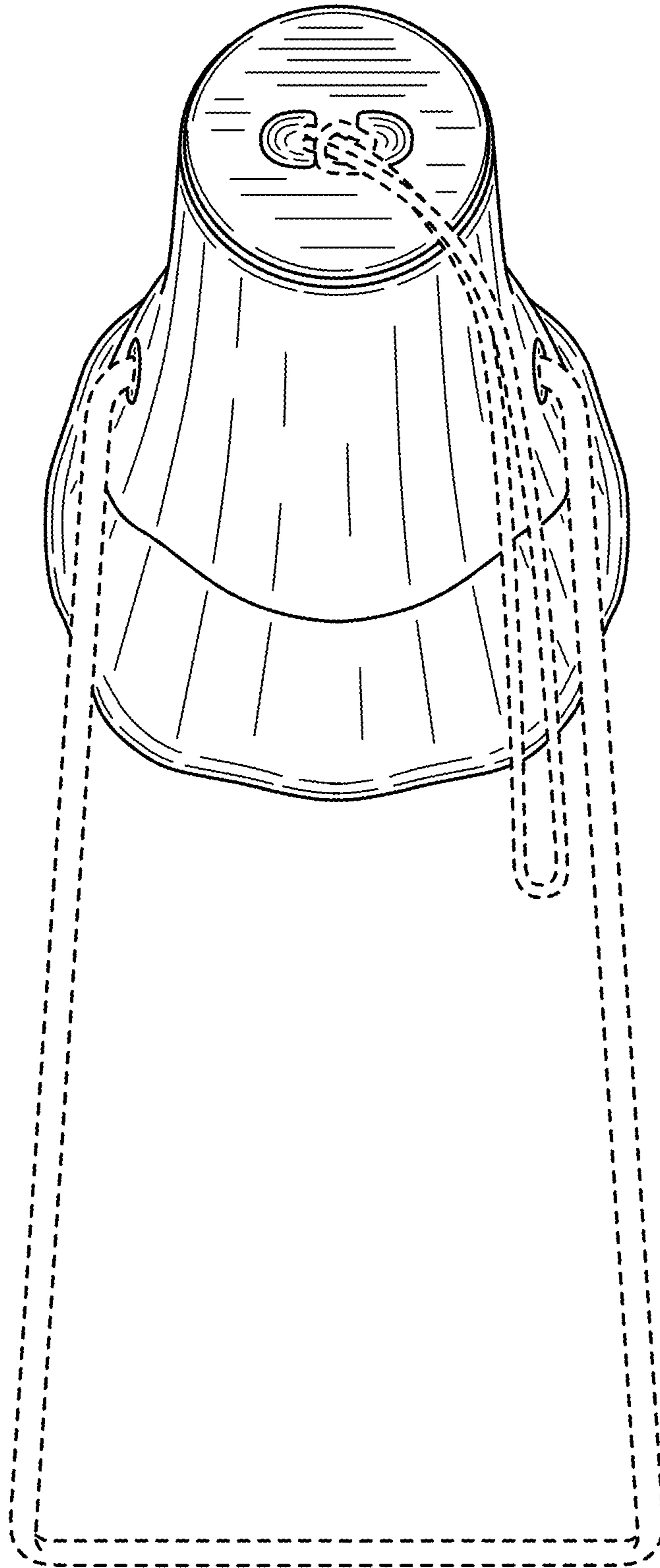


FIG. 3

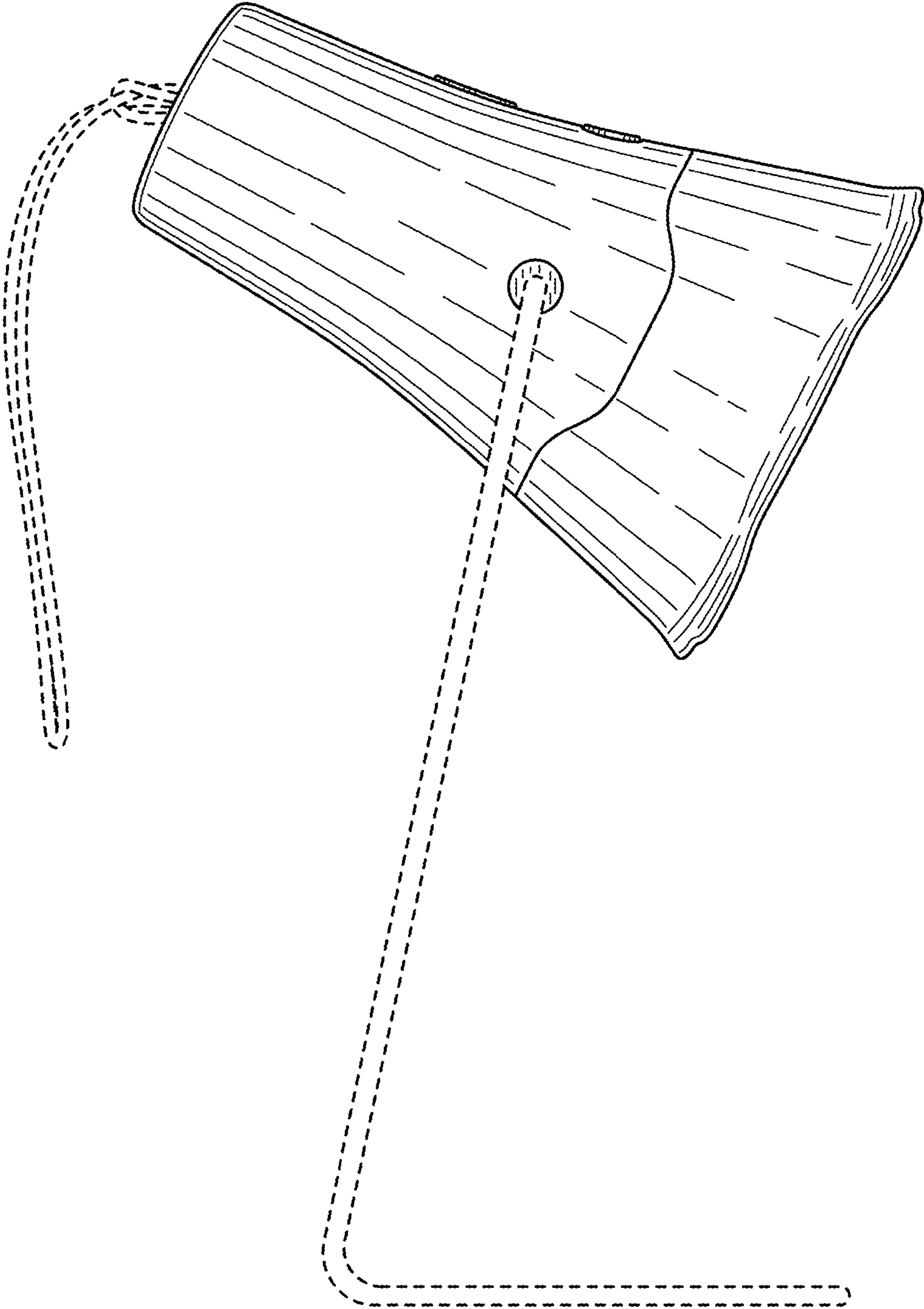


FIG. 4

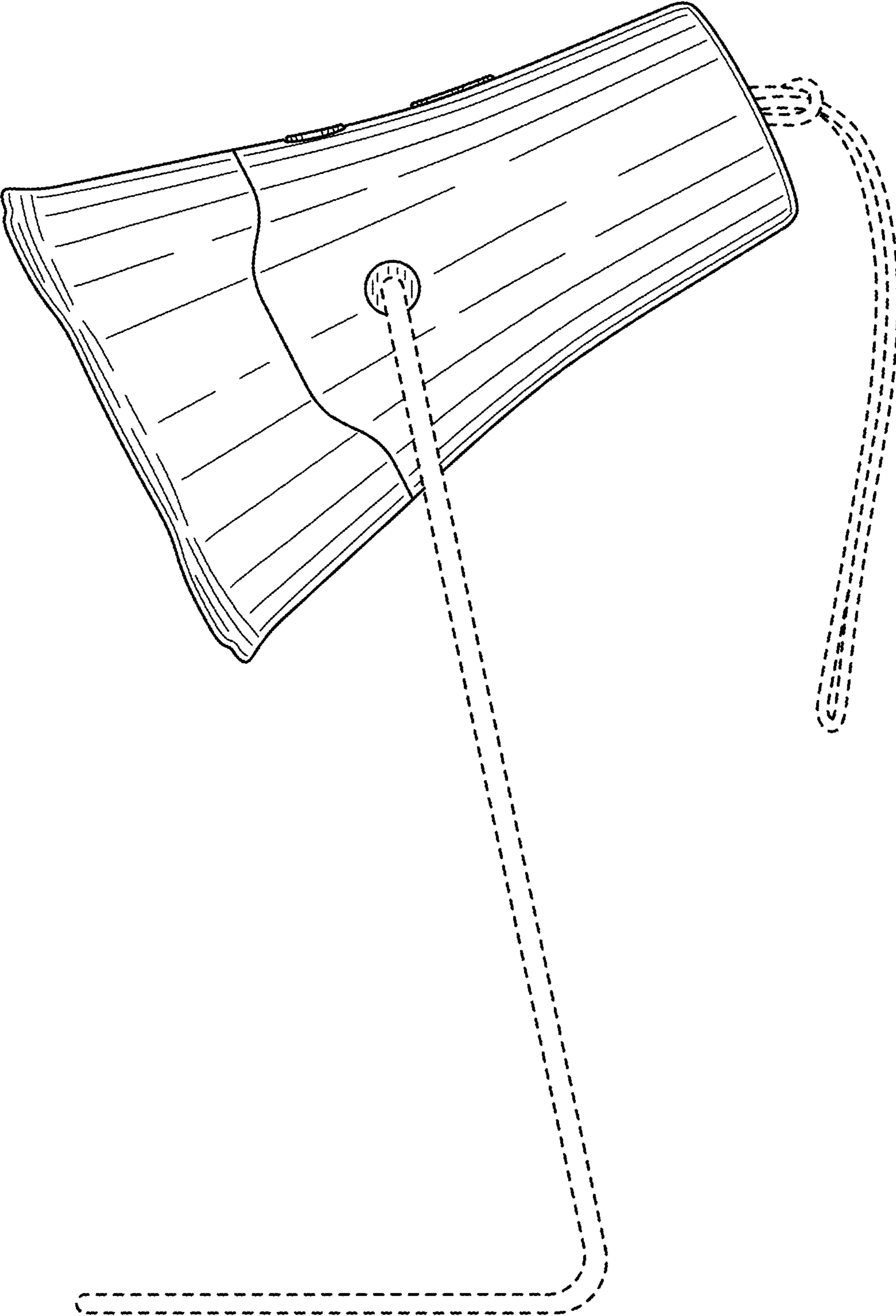


FIG. 5

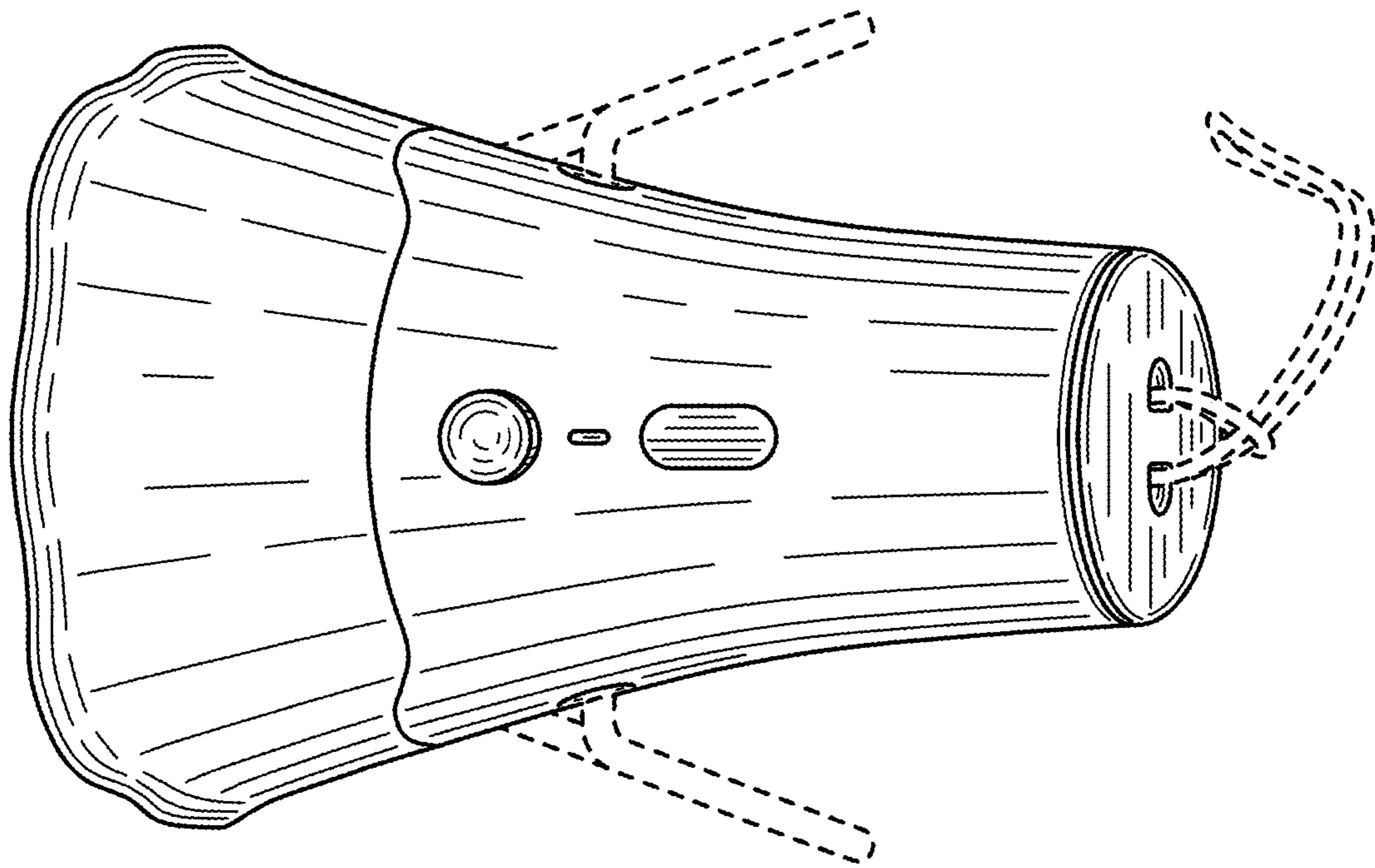


FIG. 6

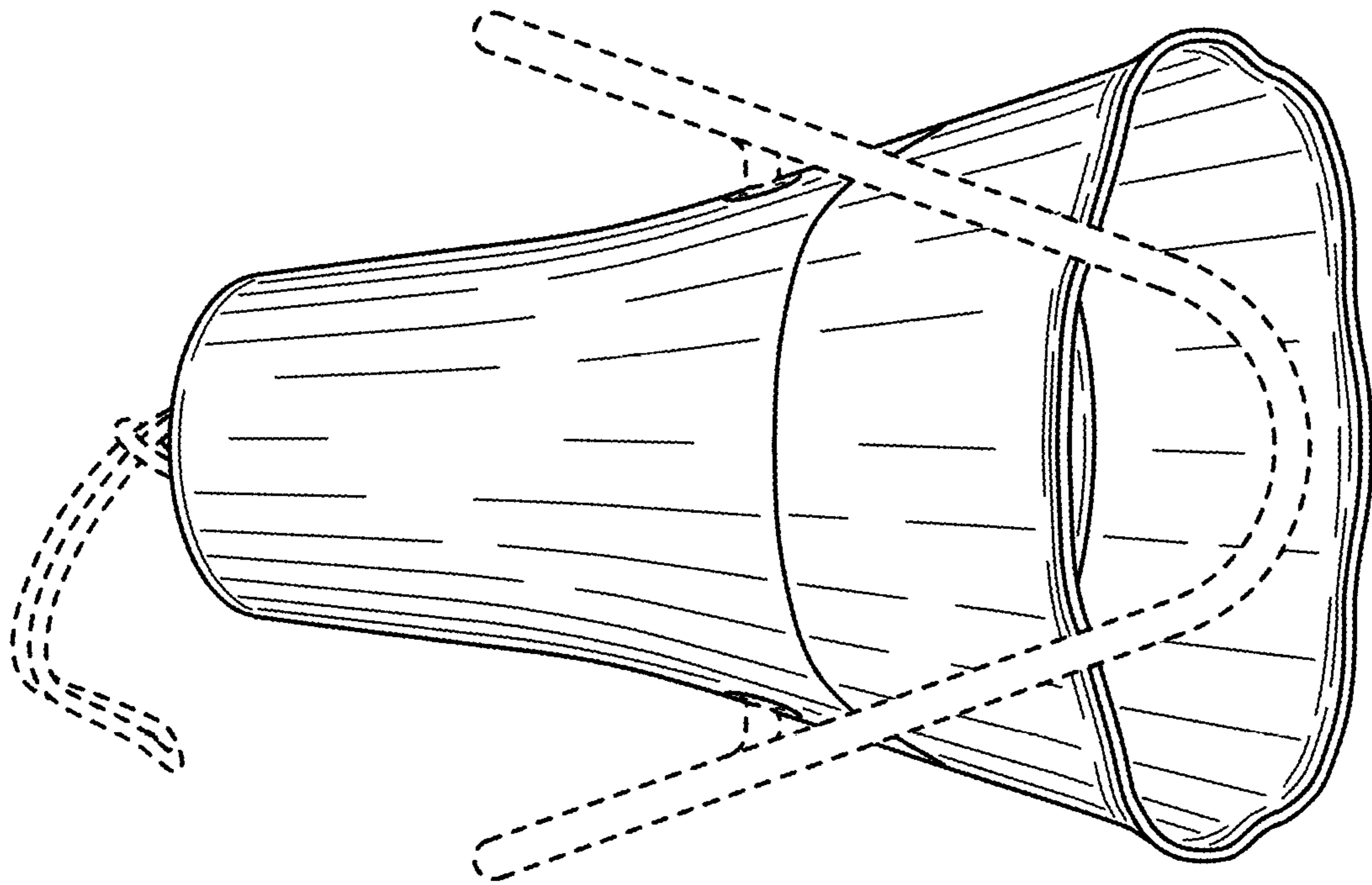


FIG. 7