



US00D772470S

(12) **United States Design Patent**
Feit

(10) **Patent No.:** **US D772,470 S**

(45) **Date of Patent:** **** Nov. 22, 2016**

(54) **ELONGATED LAMP**

(71) Applicant: **Feit Electric Company, Inc.**, Pico Rivera, CA (US)

(72) Inventor: **Alan Barry Feit**, Encino, CA (US)

(73) Assignee: **Feit Electric Company, Inc.**, Pico Rivera, CA (US)

(**) Term: **14 Years**

(21) Appl. No.: **29/519,246**

(22) Filed: **Mar. 3, 2015**

(51) **LOC (10) Cl.** **26-03**

(52) **U.S. Cl.**
USPC **D26/106**

(58) **Field of Classification Search**
USPC D26/1, 24, 93, 104, 106, 110, 112
CPC F21S 6/00; F21S 6/002; F21S 6/004;
F21S 6/006; F21S 8/00; F21S 10/00; F21V
21/02; F21W 2131/30; F21Y 2105/00
See application file for complete search history.

(56) **References Cited**

U.S. PATENT DOCUMENTS

D107,810 S * 1/1938 Weidner et al. D26/104
D359,377 S * 6/1995 Barnes D26/106

D413,999 S * 9/1999 Diaz-Azcuy D26/110
D467,025 S * 12/2002 Tinsley D26/110
D544,134 S * 6/2007 Onyszko D26/106
D716,993 S * 11/2014 Rashid D26/93
D729,971 S * 5/2015 Salojarvi D26/104

* cited by examiner

Primary Examiner — Brian N Vinson

(74) *Attorney, Agent, or Firm* — Alston & Bird LLP

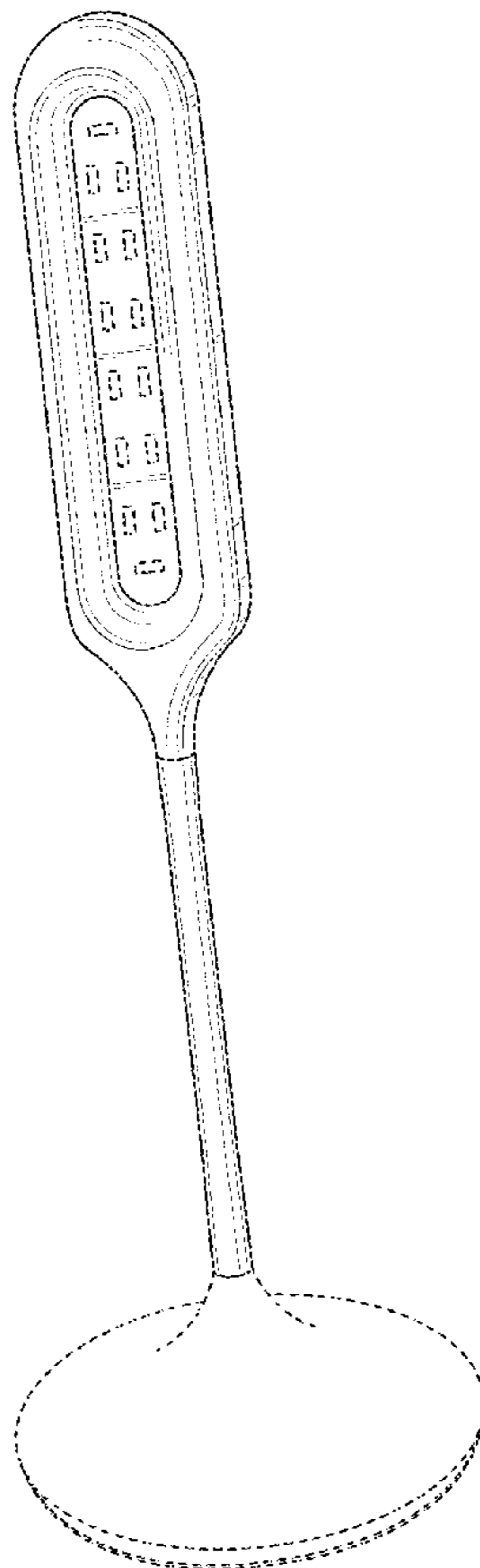
(57) **CLAIM**

The ornamental design for an elongated lamp, as shown and described.

DESCRIPTION

FIG. 1 is a perspective view of an elongated lamp showing my new design;
FIG. 2 is a front view of the elongated lamp shown in FIG. 1;
FIG. 3 is a back view of the elongated lamp shown in FIG. 1;
FIG. 4 is a side view of the elongated lamp shown in FIG. 1; and,
FIG. 5 is a top view of the elongated lamp shown in FIG. 1. The broken line disclosure represents a portion of the lamp which forms no part of the claimed design.

1 Claim, 5 Drawing Sheets



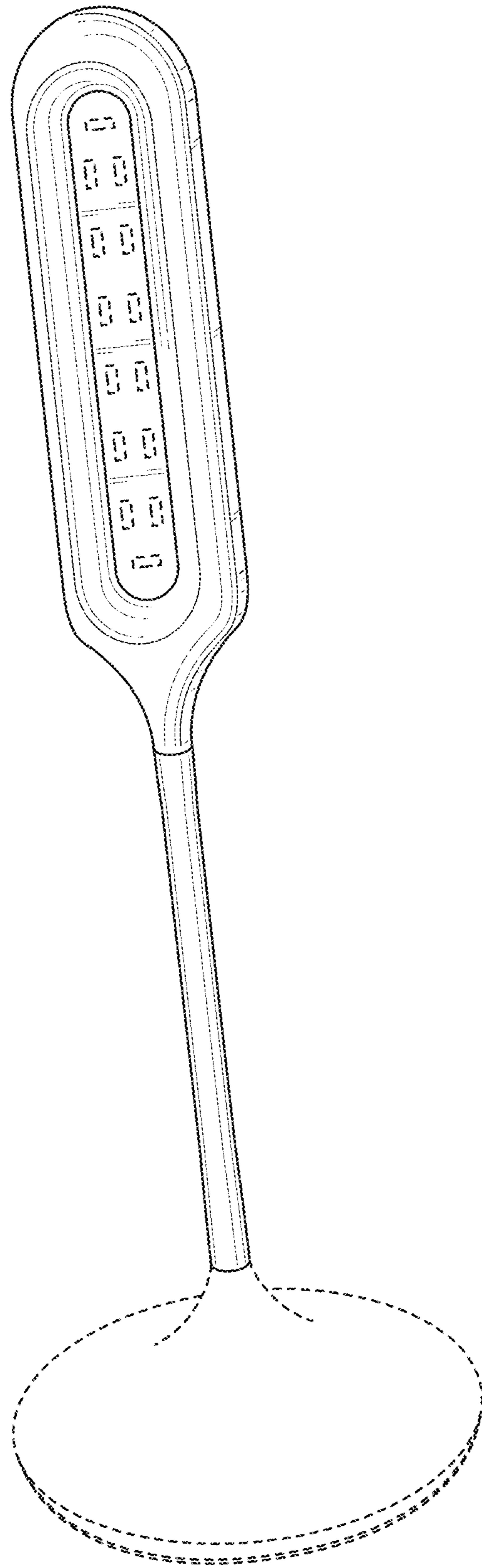


FIG. 1

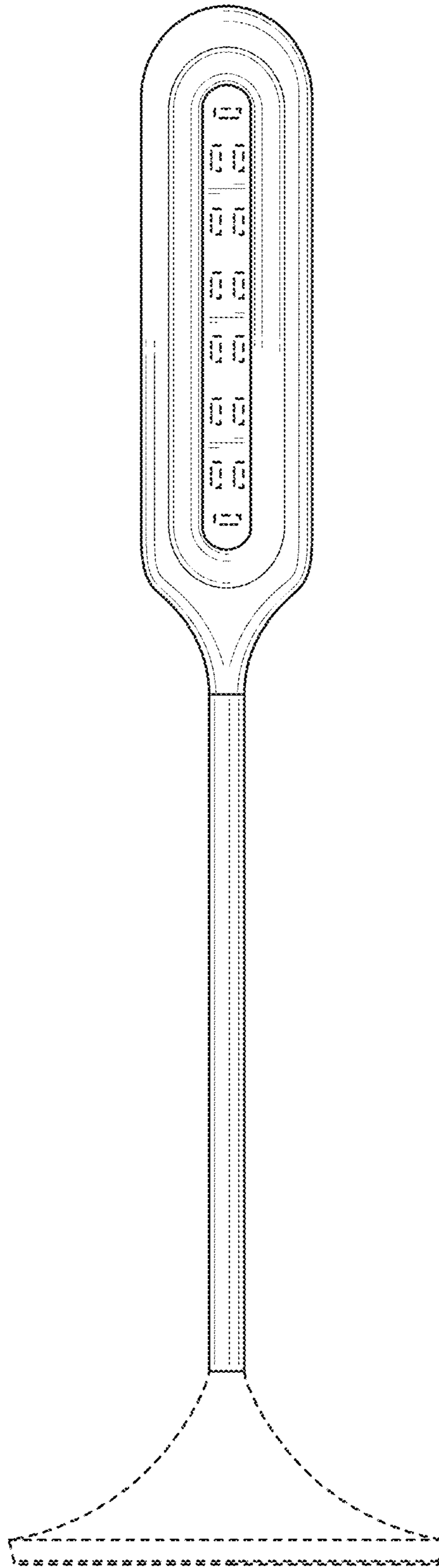


FIG. 2

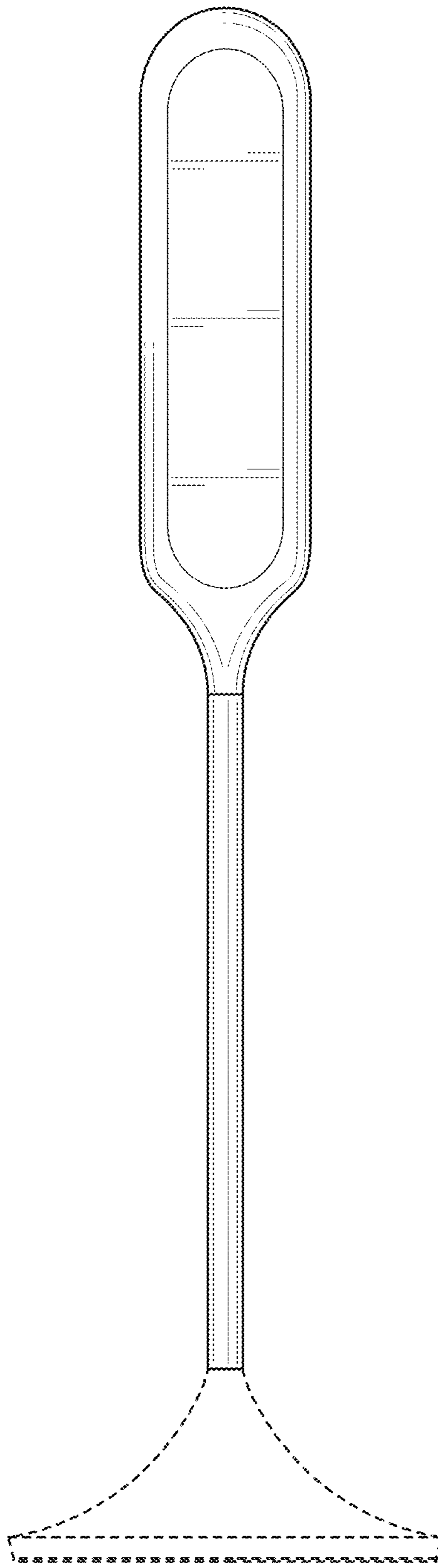


FIG. 3

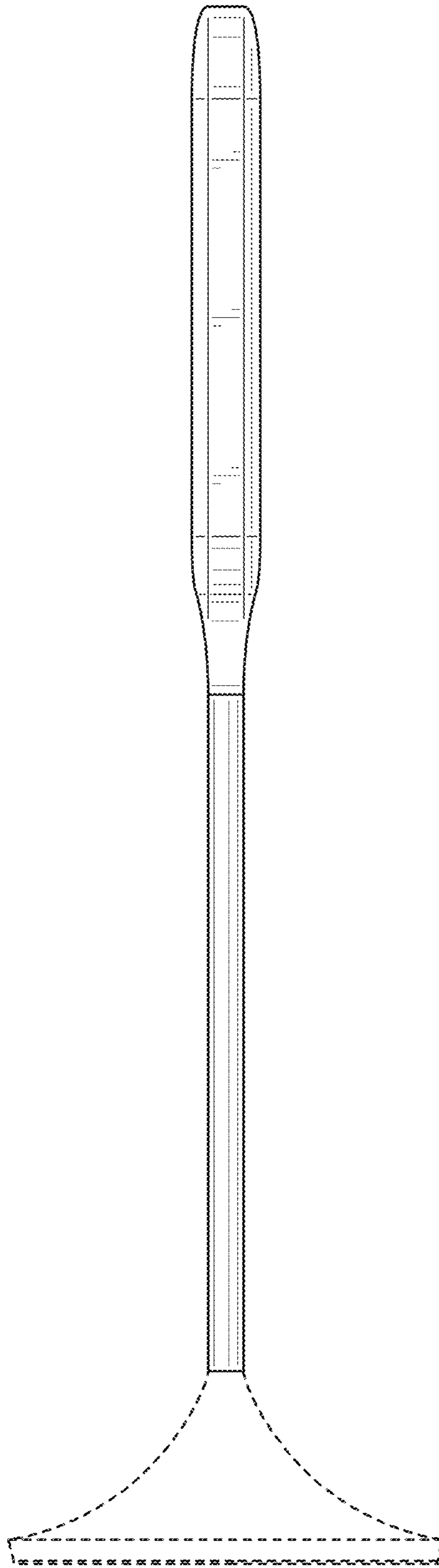


FIG. 4

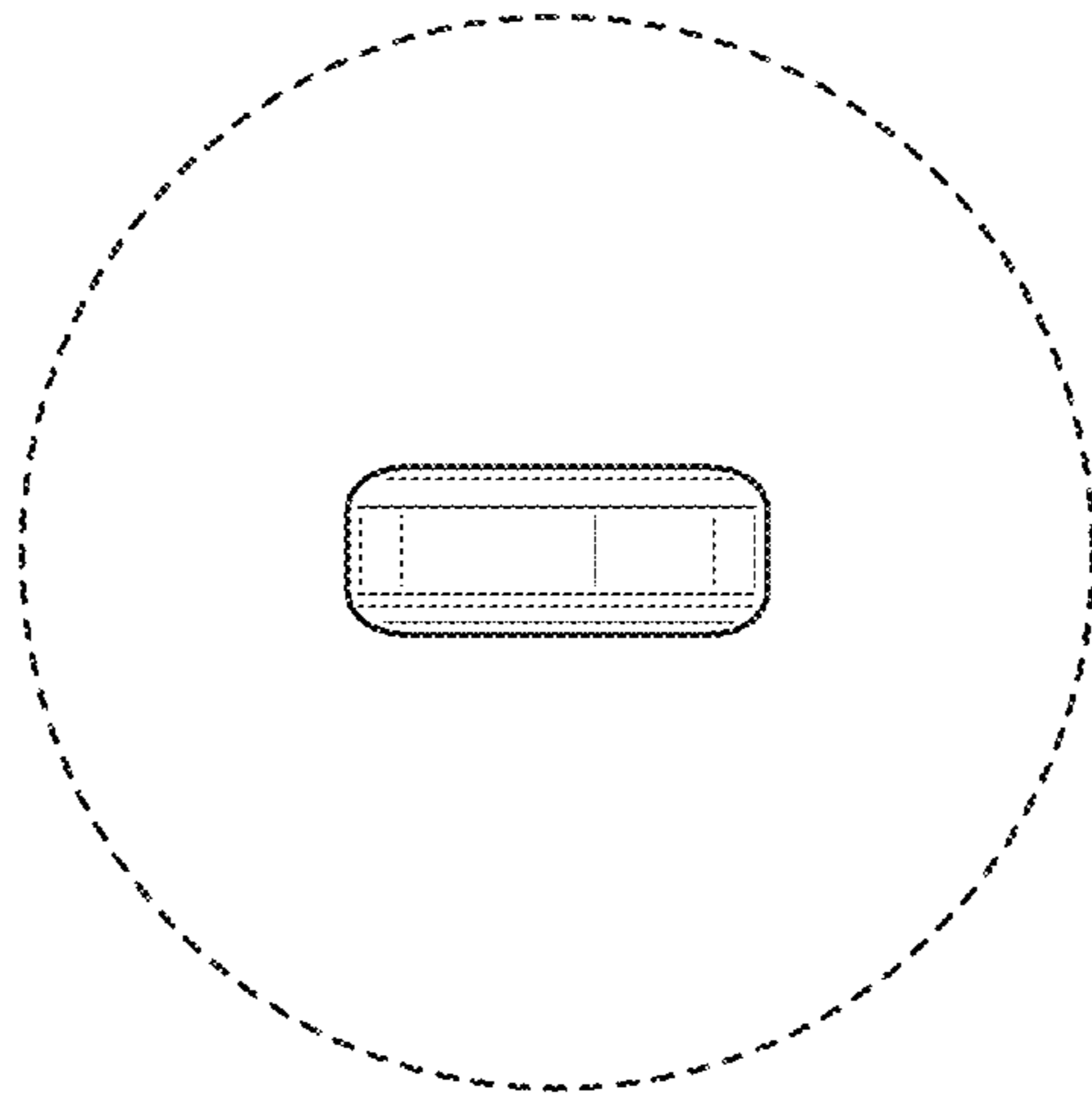


FIG. 5