



US00D772469S

(12) **United States Design Patent**
Kolb, Jr.

(10) **Patent No.:** **US D772,469 S**

(45) **Date of Patent:** **** Nov. 22, 2016**

(54) **LAMP**

(71) Applicant: **John Kolb, Jr.**, Richmond, VA (US)

(72) Inventor: **John Kolb, Jr.**, Richmond, VA (US)

(**) Term: **15 Years**

(21) Appl. No.: **29/544,604**

(22) Filed: **Nov. 4, 2015**

(51) **LOC (10) Cl.** **26-03**

(52) **U.S. Cl.**
USPC **D26/98**

(58) **Field of Classification Search**
USPC D26/24, 93, 94, 98, 102, 106, 107, 110;
D11/131, 157; D21/398, 483; 362/186,
362/257, 311.01, 311.06, 362, 806, 808
CPC F21L 4/00; F21L 9/02; F21L 48/145;
F21L 6/00; F21L 8/08; F21L 4/005; F21V
21/30

See application file for complete search history.

(56) **References Cited**

U.S. PATENT DOCUMENTS

D159,927 S 8/1950 Reilly
2,560,191 A 7/1951 Schwartz et al.

D165,635 S * 1/1952 Chapman D26/98
D174,215 S 3/1955 Bruegger
D279,316 S 6/1985 Stafford
D453,230 S 1/2002 Hsu
D608,936 S * 1/2010 Li D26/98
8,052,502 B2 11/2011 Connolly
2003/0082316 A1 5/2003 Scott
2006/0262534 A1 11/2006 Hill

FOREIGN PATENT DOCUMENTS

WO WO2008009163 1/2008

* cited by examiner

Primary Examiner — Brian N Vinson

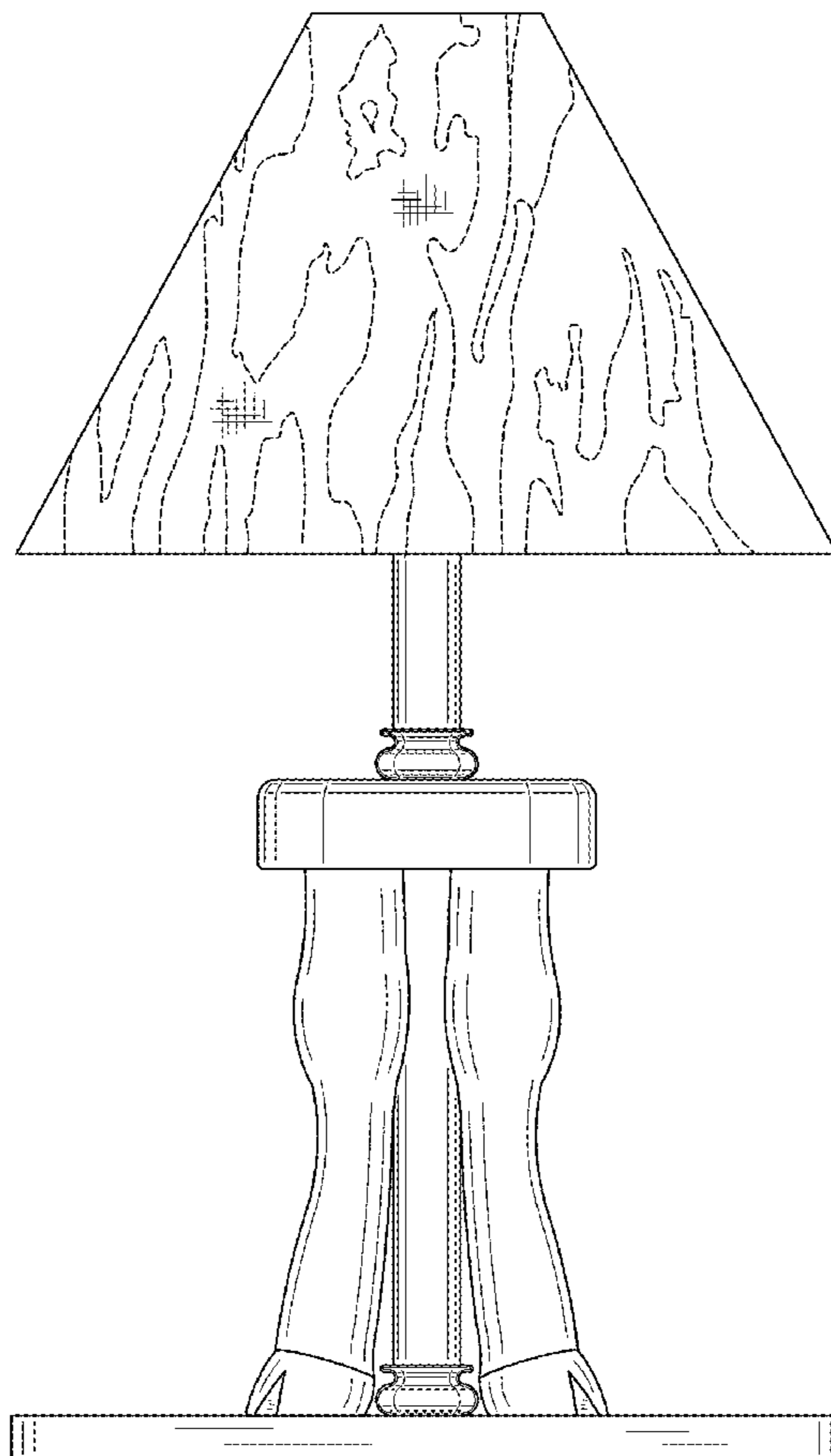
(57) **CLAIM**

The ornamental design for a lamp, as shown and described.

DESCRIPTION

FIG. 1 is a front view of a lamp showing my new design;
FIG. 2 is a rear view of the lamp;
FIG. 3 is a left side view of the lamp, a right side view being
a mirror image thereof;
FIG. 4 is a top view of the lamp; and,
FIG. 5 is a bottom view of the lamp.

1 Claim, 5 Drawing Sheets



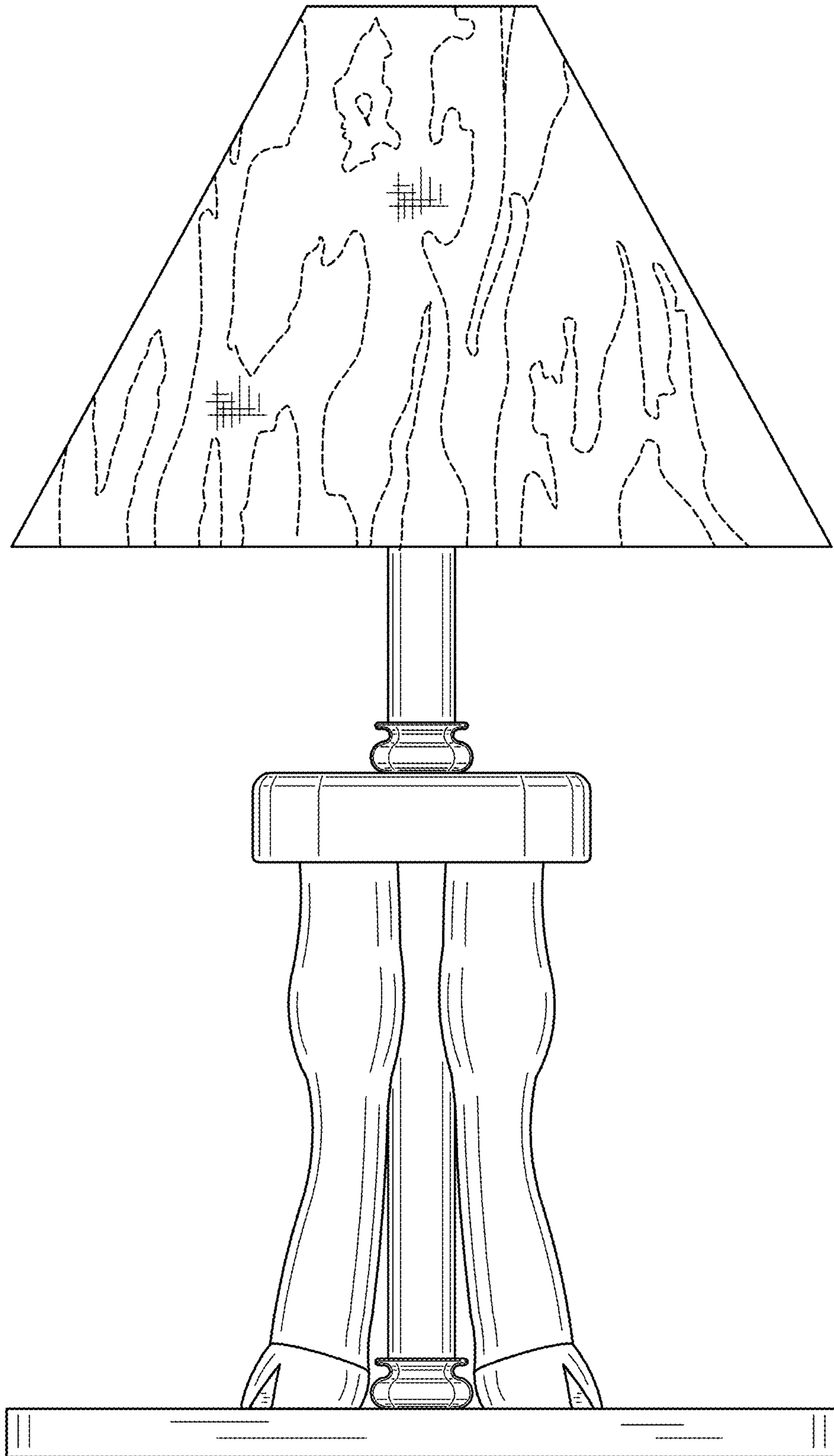


FIG. 1

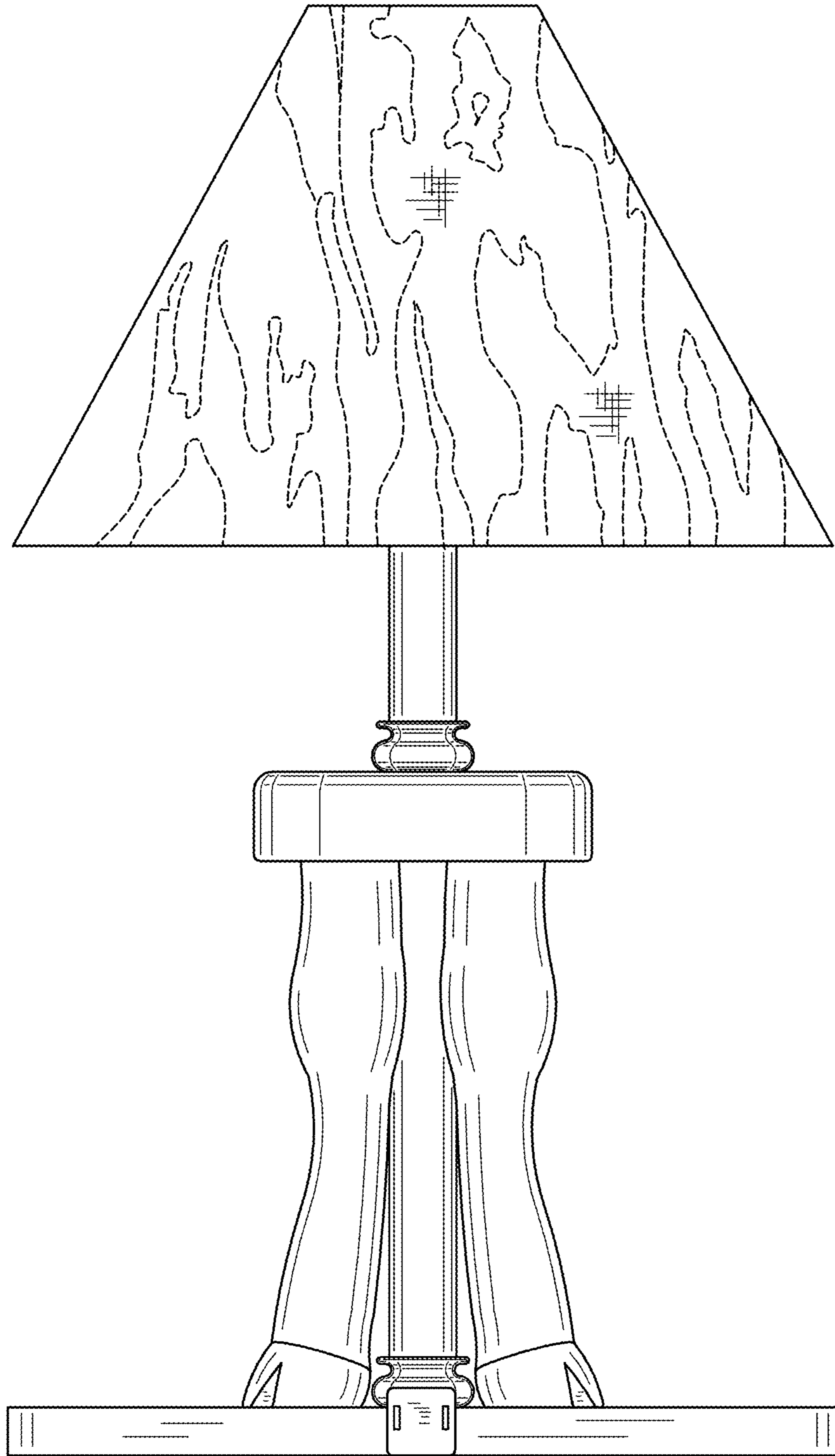


FIG. 2

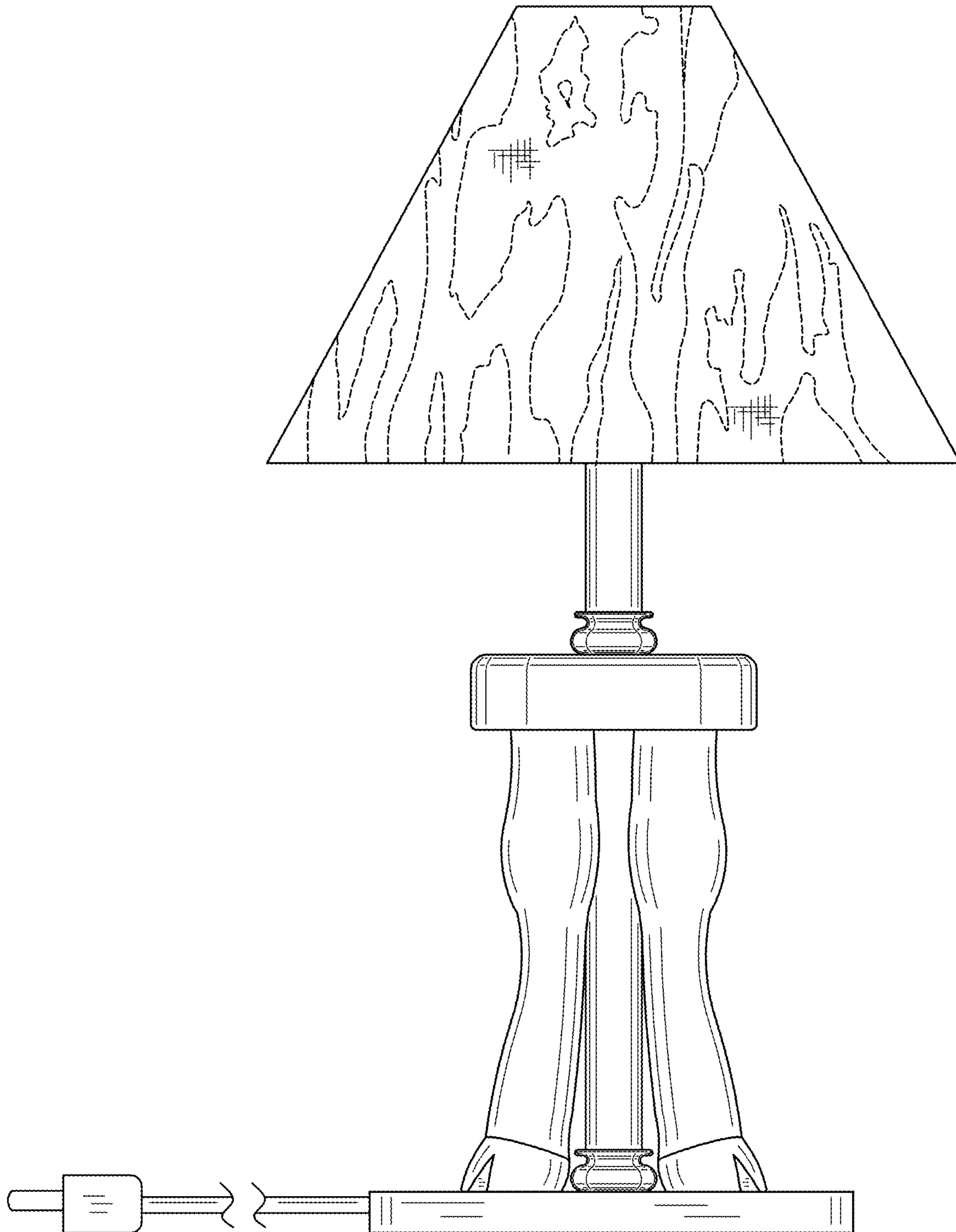


FIG. 3

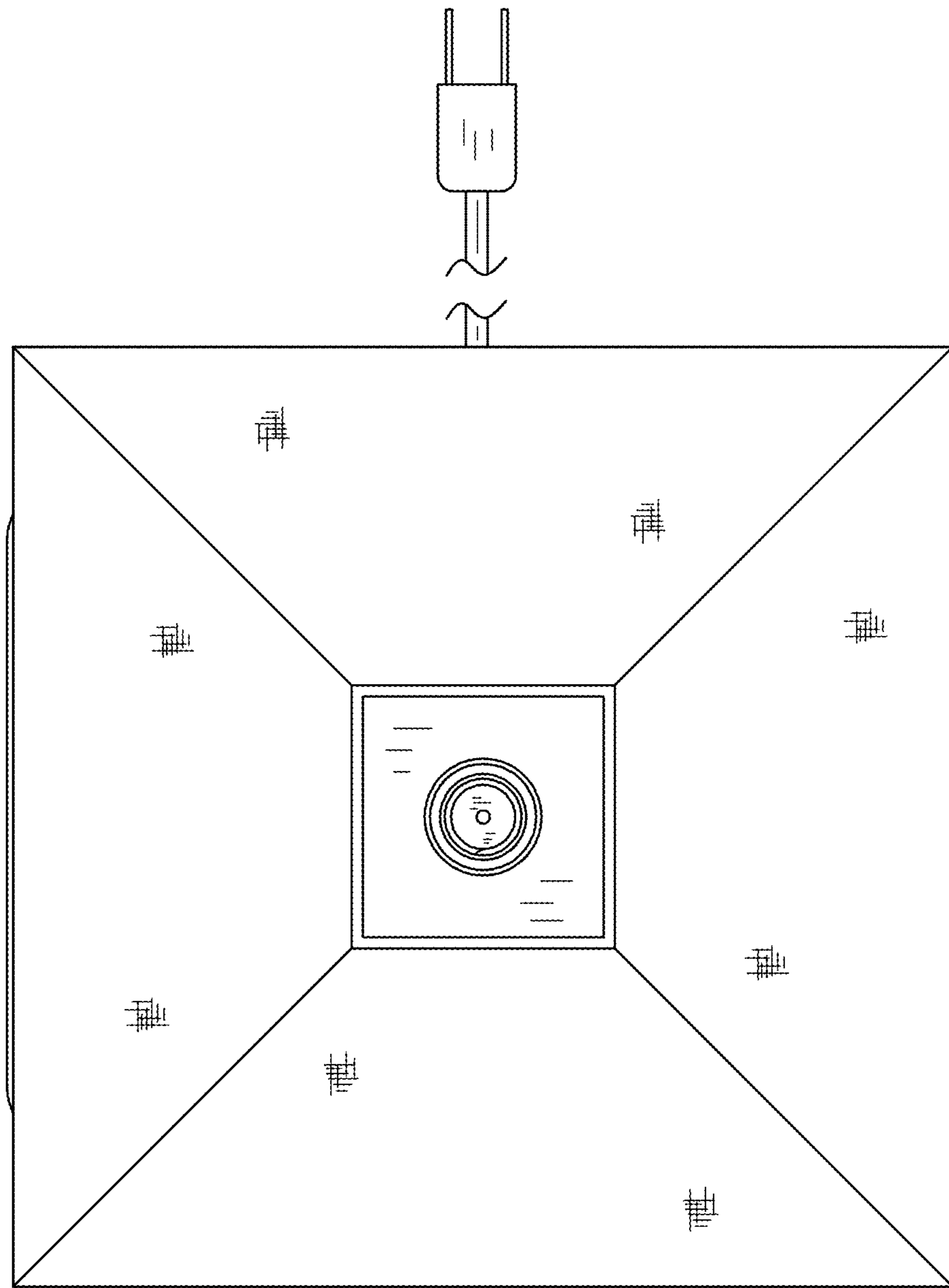


FIG. 4

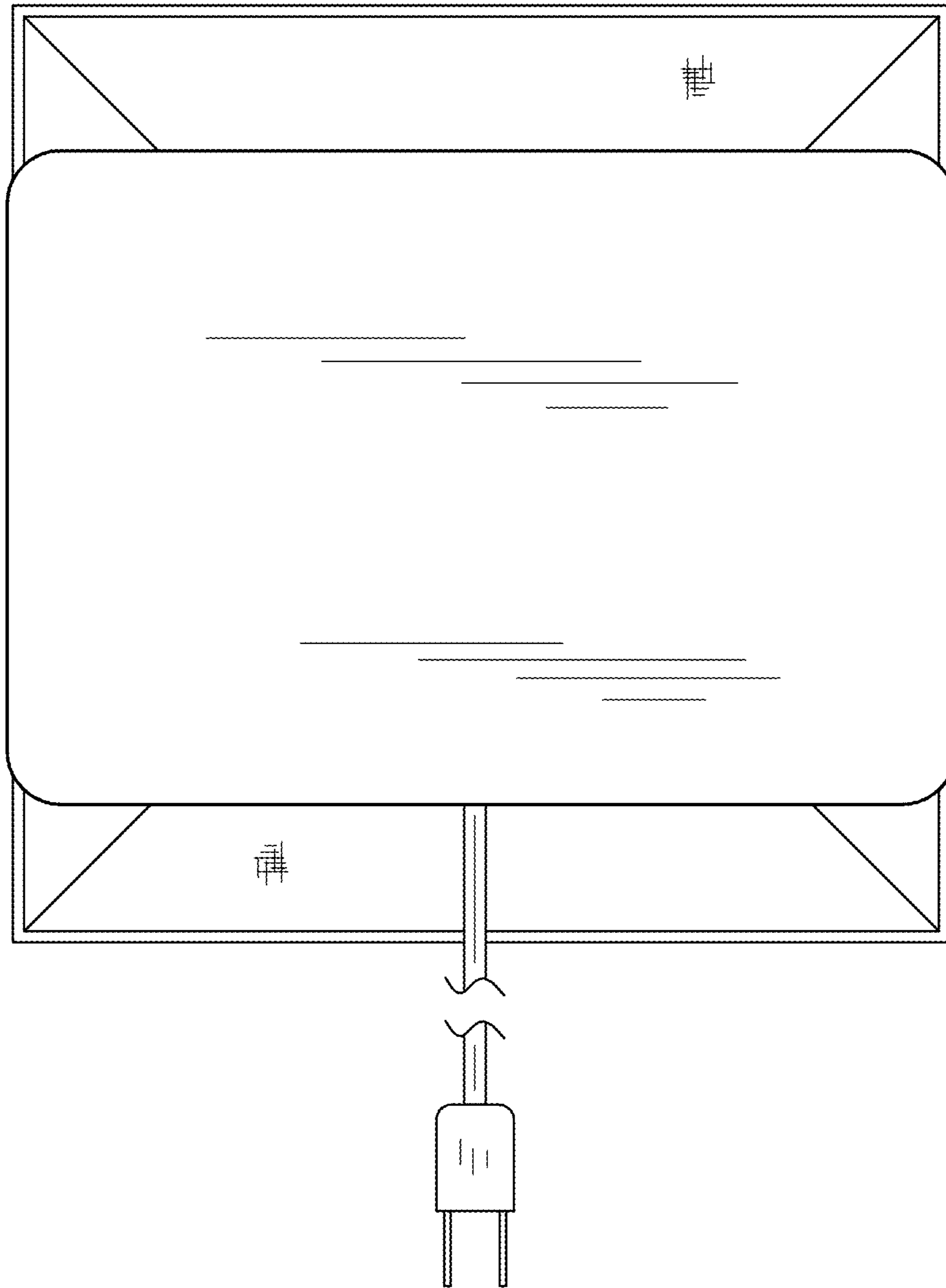


FIG. 5