



US00D772468S

(12) **United States Design Patent**  
**Sonneman**

(10) **Patent No.:** **US D772,468 S**

(45) **Date of Patent:** **\*\* Nov. 22, 2016**

(54) **LIGHTING FIXTURE**

(71) Applicant: **Robert A. Sonneman**, Mamaroneck,  
NY (US)

(72) Inventor: **Robert A. Sonneman**, Mamaroneck,  
NY (US)

(\*\*) Term: **15 Years**

(21) Appl. No.: **29/566,151**

(22) Filed: **May 27, 2016**

(51) **LOC (10) Cl.** ..... **26-03**

(52) **U.S. Cl.**  
USPC ..... **D26/90**

(58) **Field of Classification Search**  
USPC ..... D26/81-91, 143, 144  
CPC ..... F21S 8/04; F21S 8/043; F21S 8/046;  
F21S 8/06; F21S 8/061; F21S 8/063; F21S  
8/065

See application file for complete search history.

(56) **References Cited**

**U.S. PATENT DOCUMENTS**

D49,788 S *	10/1916	Warren	.....	D26/81
D202,997 S *	11/1965	Heifetz	.....	D26/144
D317,058 S *	5/1991	Sonneman	.....	D26/92
D320,465 S *	10/1991	Sonneman	.....	D26/86
D373,002 S *	8/1996	Porter	.....	D26/144
D373,213 S *	8/1996	Porter	.....	D26/84
7,354,171 B2 *	4/2008	Pazula	.....	F21V 21/02 362/135
D592,787 S *	5/2009	Chandler	.....	D26/81
D604,886 S *	11/2009	Rugee	.....	D26/81
D620,176 S *	7/2010	Sabernig	.....	D26/143

D620,629 S *	7/2010	Sabernig	.....	D26/84
D634,887 S *	3/2011	Kitts	.....	D26/143
D649,276 S *	11/2011	Sabernig	.....	D26/84
D649,277 S *	11/2011	Sabernig	.....	D26/84
D649,675 S *	11/2011	Sabernig	.....	D26/84
D657,486 S *	4/2012	Sabernig	.....	D26/84
D657,487 S *	4/2012	Sabernig	.....	D26/84
D666,760 S *	9/2012	Arola Ferrer	.....	D26/84
D671,670 S *	11/2012	Sonneman	.....	D26/90
D674,955 S *	1/2013	Sonneman	.....	D26/88
D709,637 S *	7/2014	Terzani	.....	D26/83
D722,402 S *	2/2015	Orozco	.....	D26/88
2012/0257388 A1 *	10/2012	Bracher	.....	F21S 8/061 362/249.01

\* cited by examiner

*Primary Examiner* — Clare E Heffin

(74) *Attorney, Agent, or Firm* — Gottlieb, Rackman &  
Reisman P.C.

(57) **CLAIM**

The ornamental design for a lighting fixture, as shown and described.

**DESCRIPTION**

FIG. 1 is a perspective view of the lighting fixture showing my new design;

FIG. 2 is a top plan view thereof;

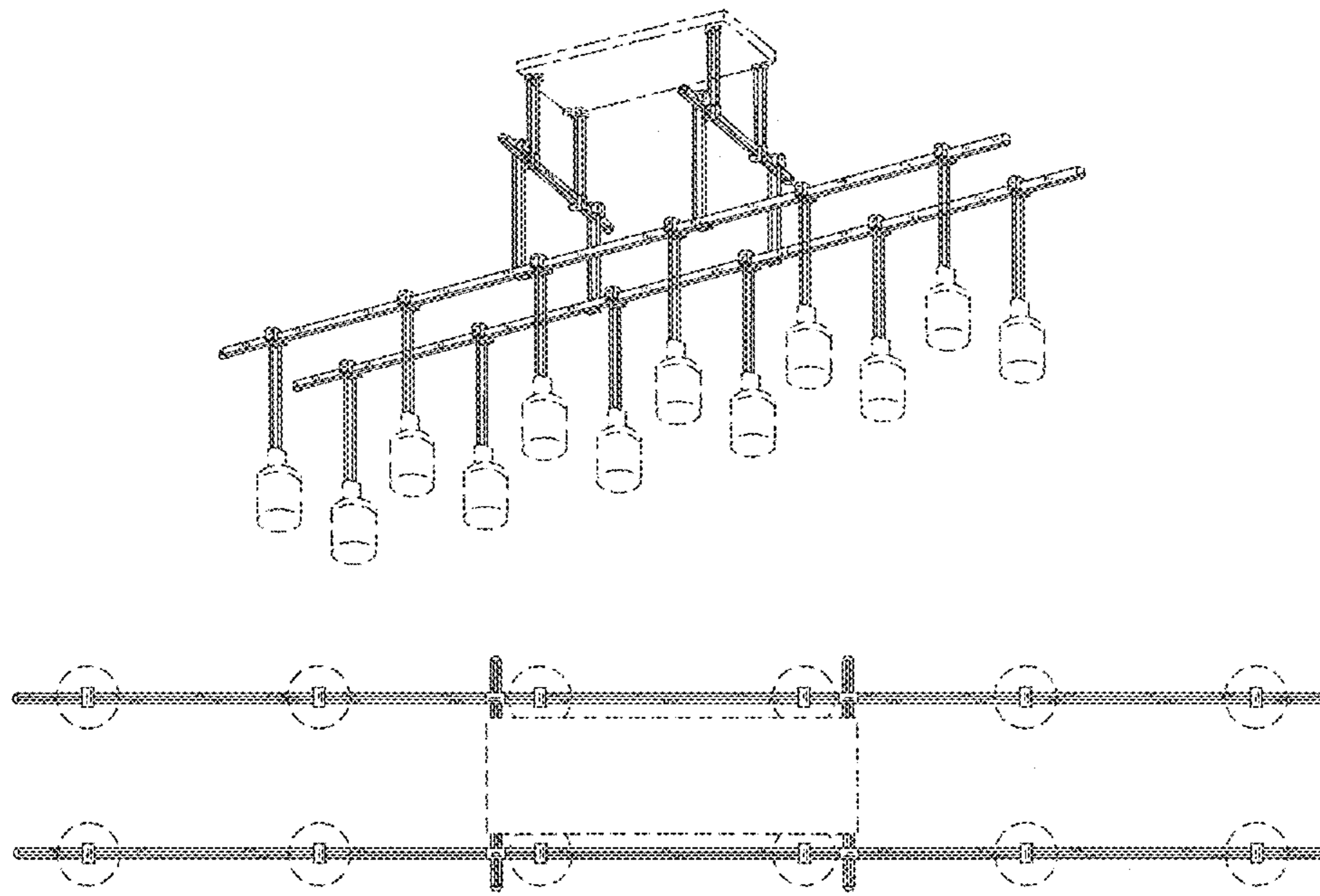
FIG. 3 is a front elevational view thereof, the rear elevational view being a mirror image;

FIG. 4 is a right side elevational view thereof, the left side being a mirror image; and,

FIG. 5 is a bottom plan view thereof.

The broken lines in the drawings represent portions of the article that form no part of the claimed design.

**1 Claim, 3 Drawing Sheets**



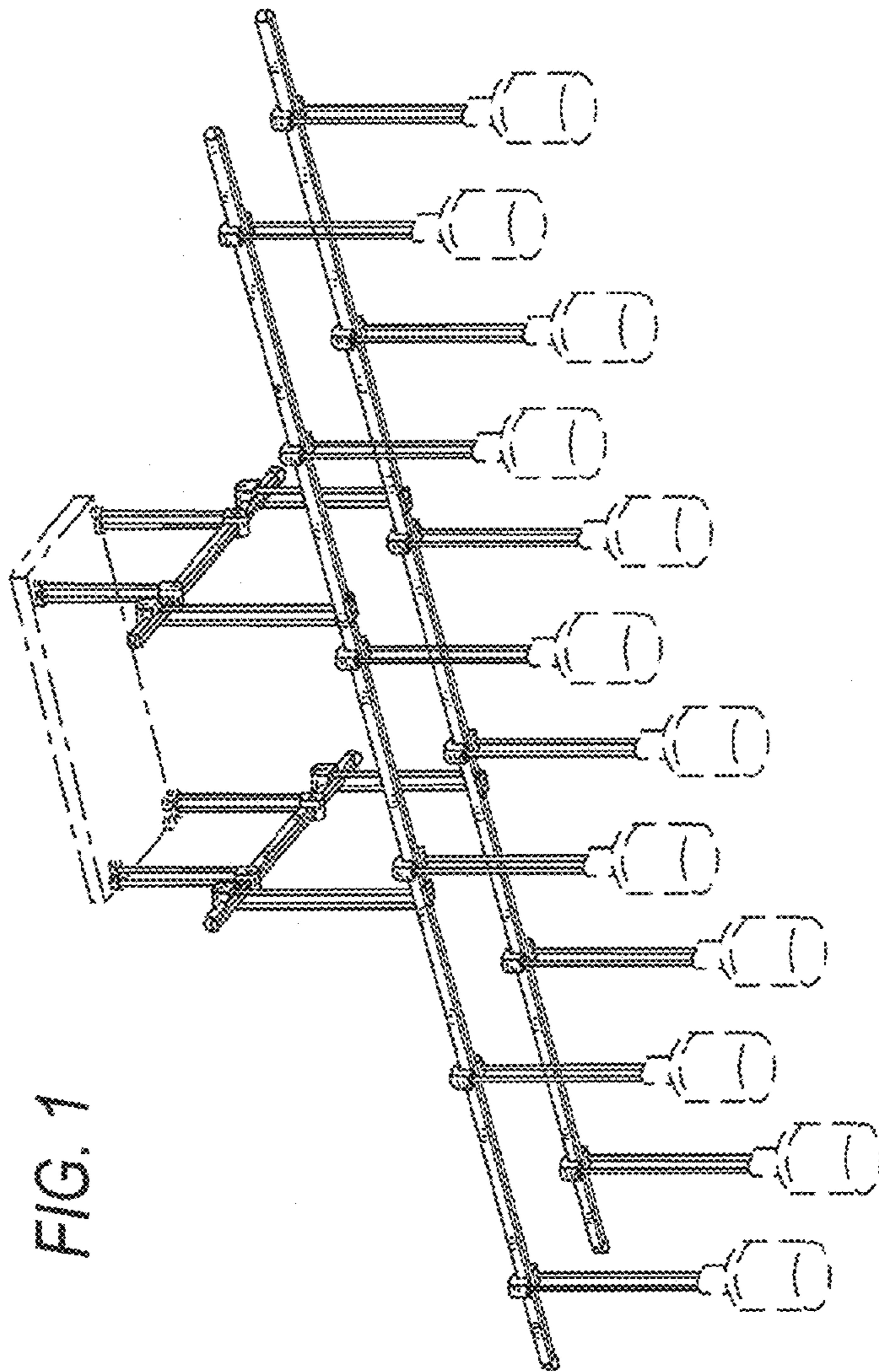


FIG. 1

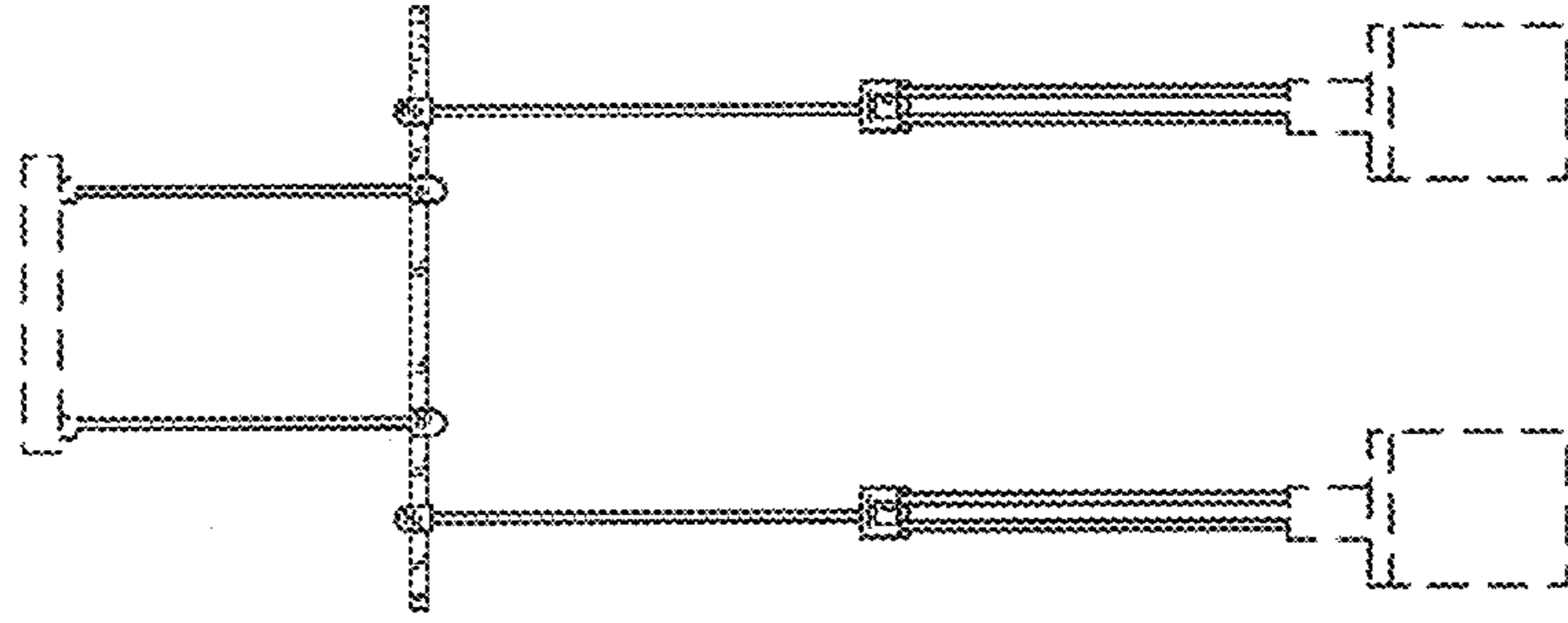


FIG. 4

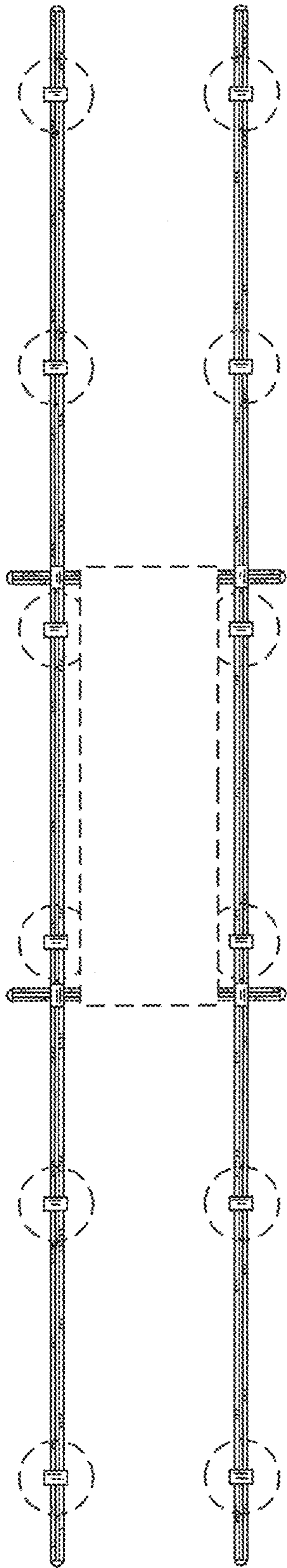


FIG. 2

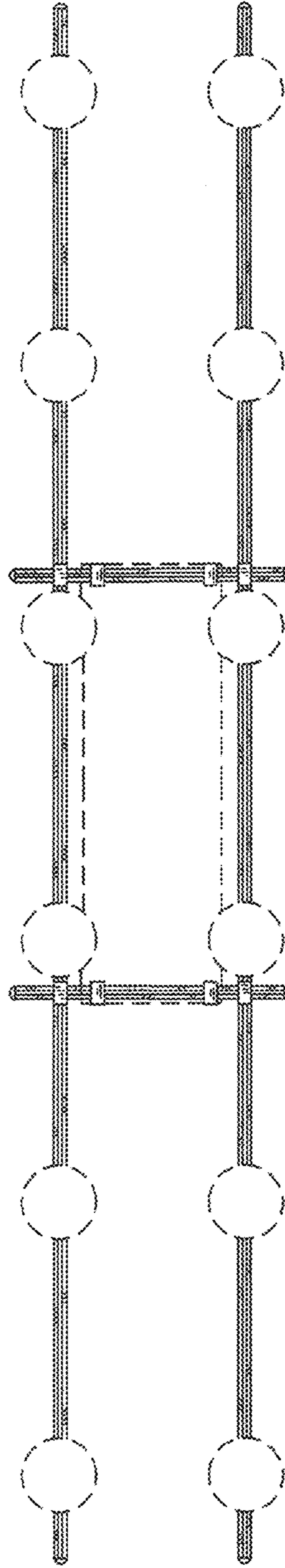


FIG. 5



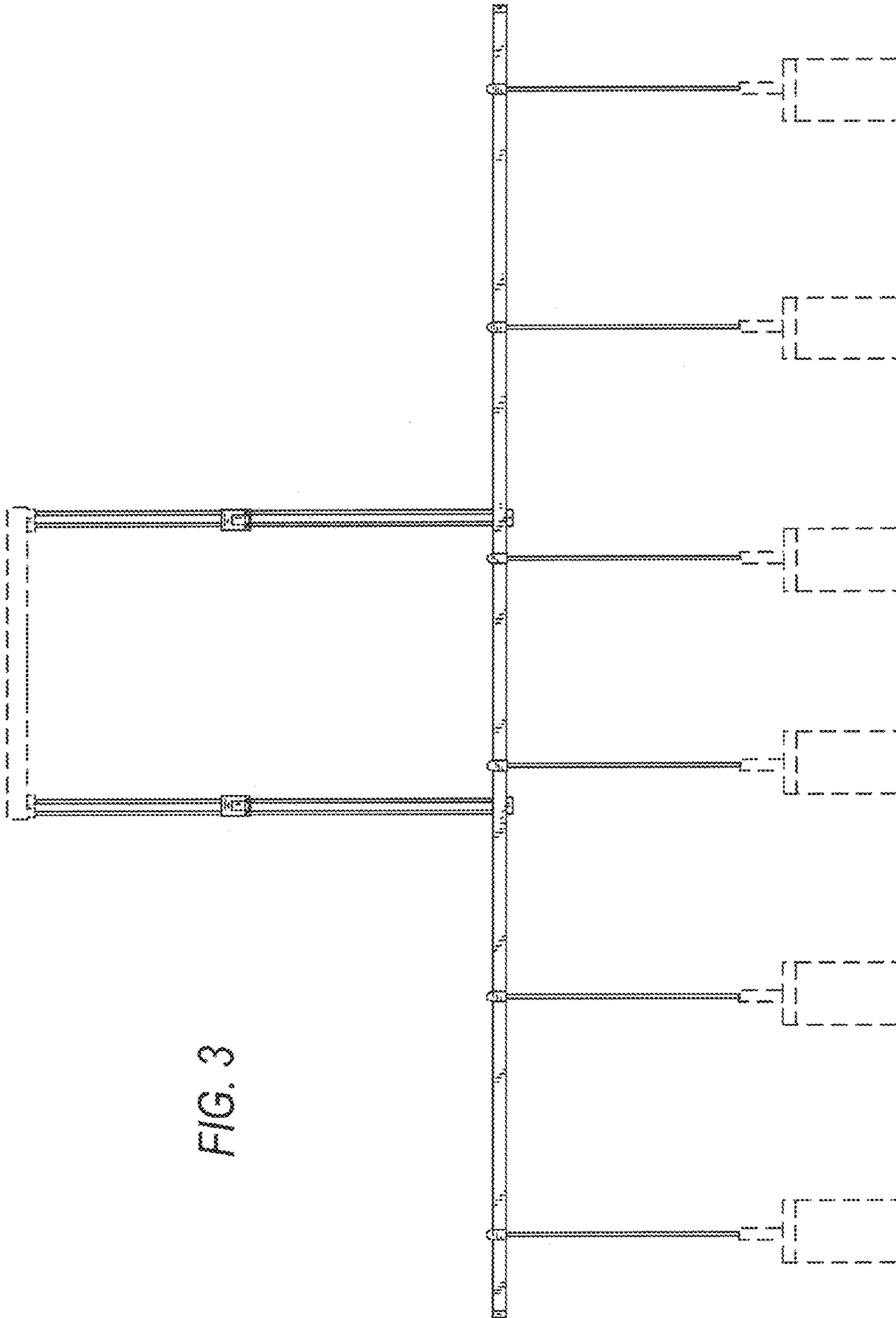


FIG. 3