



US00D772465S

(12) **United States Design Patent**
Li et al.

(10) **Patent No.:** **US D772,465 S**

(45) **Date of Patent:** **** Nov. 22, 2016**

(54) **TROFFER-STYLE FIXTURE**

FOREIGN PATENT DOCUMENTS

(71) Applicant: **CREE HONG KONG LIMITED**,
Shatin, New Territories (HK)

CN 1762061 4/2006
CN 1934389 3/2007

(Continued)

(72) Inventors: **Chi Man Chris Li**, N.T. (HK); **Chi Hoi Felix Mung**, Kowloon (HK); **Ho Ching Gauss So**, Kowloon (HK); **Wai To Yan**, N.T. (HK)

OTHER PUBLICATIONS

Second Office Action and Search Report from Chinese Appl. No. 2011800529984, dated Dec. 26, 2014.

(Continued)

(73) Assignee: **CREE HONG KONG LIMITED**,
Shatin, N.T. (HK)

Primary Examiner — Angela J Lee

(**) Term: **14 Years**

(74) *Attorney, Agent, or Firm* — Koppel, Patrick, Heybl & Philpott

(21) Appl. No.: **29/481,156**

(57) **CLAIM**

The ornamental design for a troffer-style fixture, as shown and described herein.

(22) Filed: **Feb. 2, 2014**

(51) **LOC (10) Cl.** **26-05**

DESCRIPTION

(52) **U.S. Cl.**

USPC **D26/74**

(58) **Field of Classification Search**

USPC D26/74, 24, 72, 75, 76, 78, 79, 81, 82,
D26/88, 89, 91, 113, 118, 119, 120, 138,
D26/141, 142

CPC F21V 21/04; F21V 21/041; F21V 7/005;
F21Y 2111/002; F21S 8/026; F21S 8/02

See application file for complete search history.

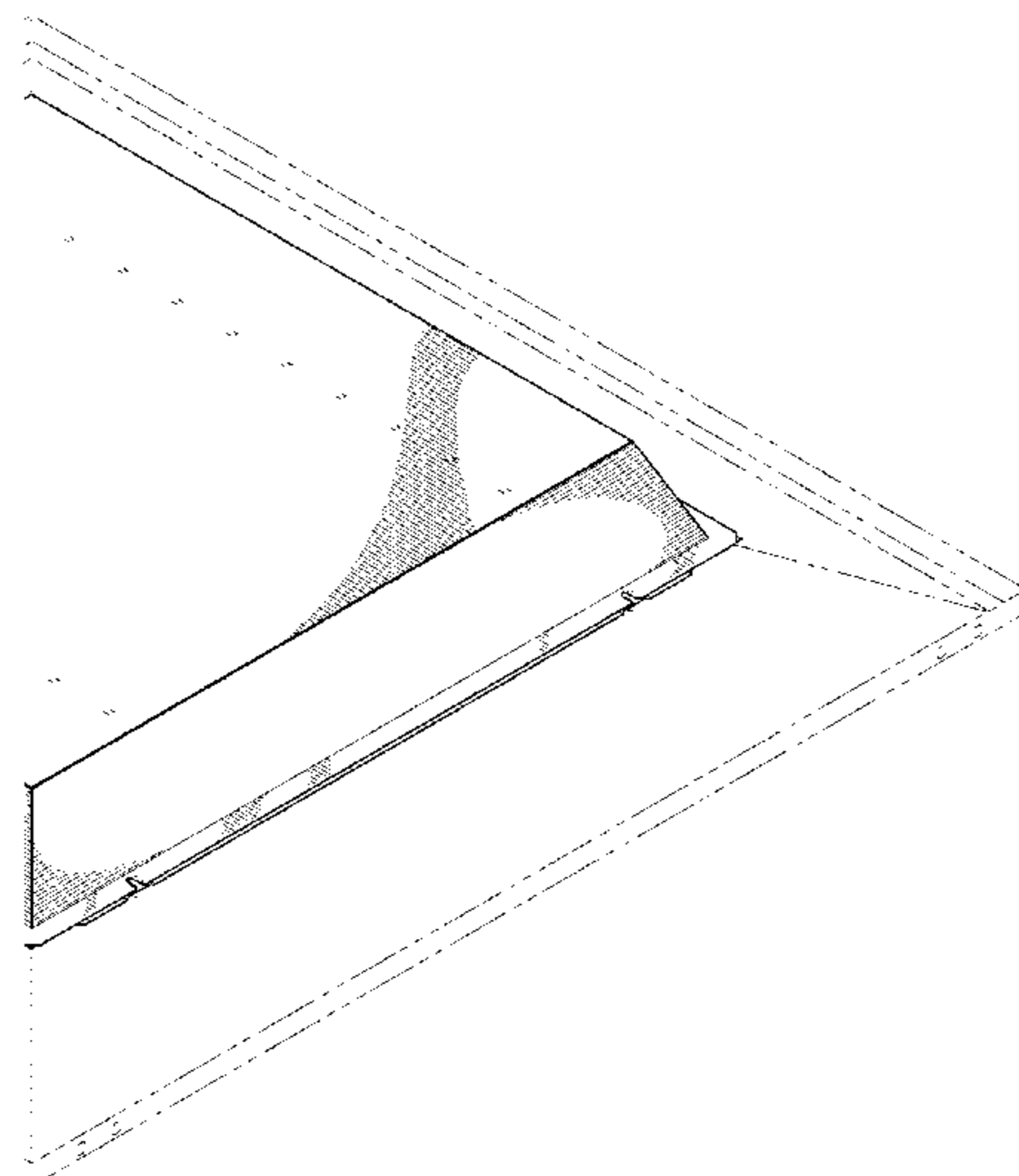
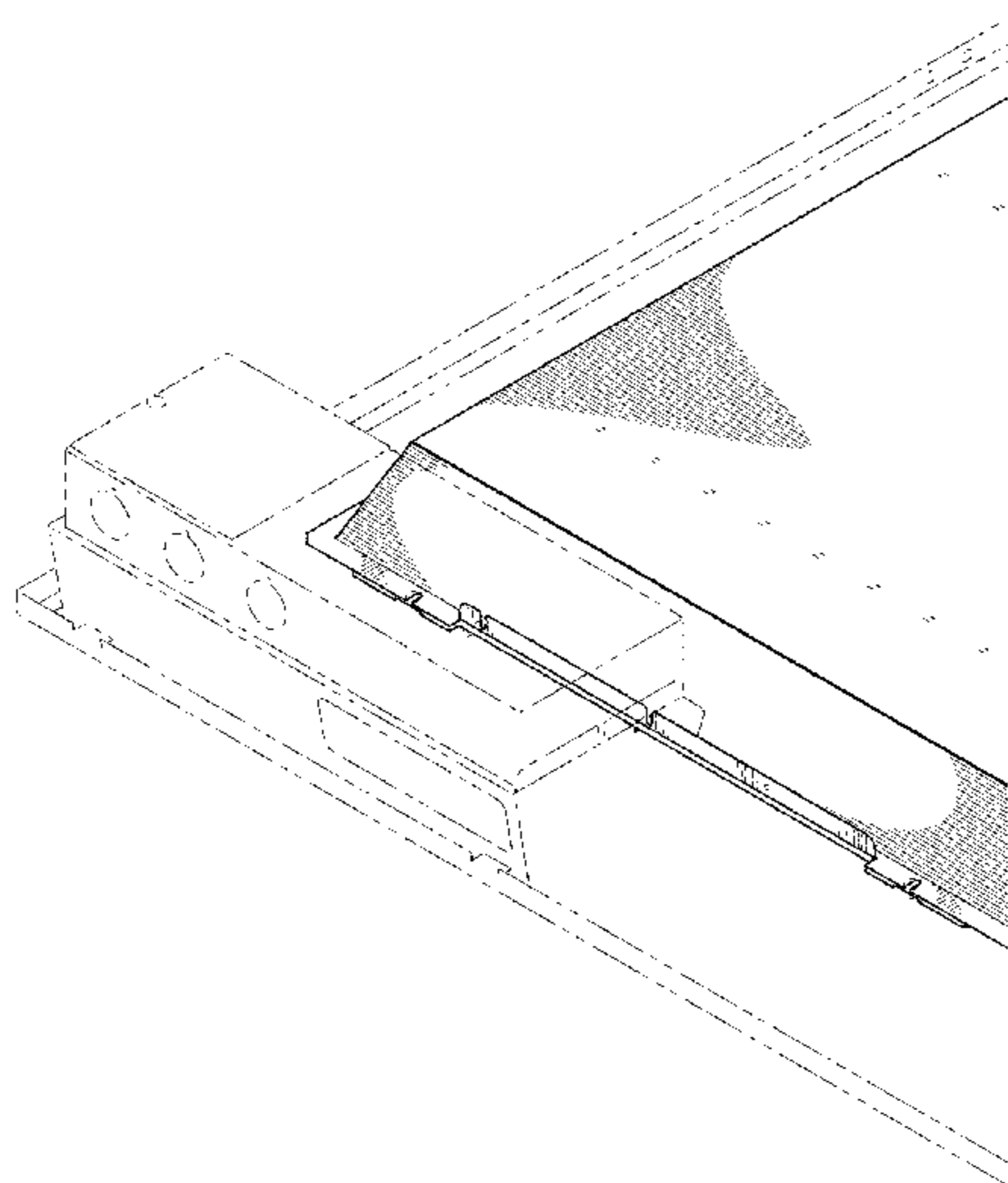
(56) **References Cited**

U.S. PATENT DOCUMENTS

D85,382 S	10/1931	Guth	D26/24
2,356,654 A	8/1944	Cullman	200/84 C
3,381,124 A	4/1968	Eisenberg	362/354
4,939,627 A	7/1990	Herst et al.	362/299
5,025,356 A	6/1991	Gawad	362/221
5,526,190 A	6/1996	Hubble, III	347/102
5,823,663 A	10/1998	Bell et al.	362/362

(Continued)

1 Claim, 12 Drawing Sheets



(56)

References Cited

U.S. PATENT DOCUMENTS

D407,473 S *	3/1999	Wimbock	D23/328	8,317,354 B2	11/2012	Gassner et al.	362/147
6,149,283 A	11/2000	Conway et al.	362/236	D677,821 S *	3/2013	Jeon	D26/74
6,155,699 A	12/2000	Miller et al.	362/293	D679,848 S *	4/2013	Pickard et al.	D26/74
6,210,025 B1	4/2001	Schmidt et al.	362/362	8,410,514 B2	4/2013	Kim	257/99
6,234,643 B1	5/2001	Lichon, Jr.	362/147	D684,291 S	6/2013	Goelz et al.	D26/74
6,402,347 B1	6/2002	Maas et al.	362/294	8,480,252 B2	7/2013	Bertram et al.	362/243
6,443,598 B1	9/2002	Morgan	362/342	8,506,135 B1	8/2013	Oster	362/373
6,523,974 B2	2/2003	Engel	362/224	8,556,452 B2	10/2013	Simon	362/217.07
6,578,979 B2	6/2003	Truttman-Battig	362/92	8,591,058 B2	11/2013	Concepcion	362/231
6,598,998 B2	7/2003	West	257/E33.073	8,591,071 B2	11/2013	Hochstein	362/294
D496,121 S	9/2004	Santoro	D26/74	D696,449 S *	12/2013	Boyer et al.	D26/74
6,871,983 B2	3/2005	Jacob et al.	362/364	8,602,601 B2	12/2013	Khazi	362/249.02
6,948,838 B2	9/2005	Kunstler	362/237	8,616,723 B2	12/2013	Zhang	362/218
6,948,840 B2	9/2005	Grenda et al.	362/555	D698,975 S *	2/2014	Blessitt et al.	D26/74
6,951,415 B2	10/2005	Amano	362/297	D699,386 S *	2/2014	Park et al.	D26/118
7,021,797 B2	4/2006	Minano et al.	362/355	8,641,243 B1	2/2014	Rashidi	362/373
7,049,761 B2	5/2006	Timmermans et al.	315/246	D701,988 S *	4/2014	Clements	D26/74
7,063,449 B2	6/2006	Ward	345/102	8,696,154 B2	4/2014	Hutchens	362/217.05
7,111,969 B2	9/2006	Bottesch	362/299	8,702,264 B1	4/2014	Rashidi	362/147
7,175,296 B2	2/2007	Cok	362/147	8,764,244 B2	7/2014	Jeon	362/218
7,213,940 B1	5/2007	Van de Ven et al.	362/231	D714,988 S	10/2014	Park et al.	D26/74
7,217,004 B2	5/2007	Park	362/240	D721,198 S	1/2015	Glasbrenner	D26/76
7,237,924 B2	7/2007	Martineau et al.	362/231	D732,233 S *	6/2015	Reynolds	D26/118
D556,358 S *	11/2007	Santoro	D26/74	9,052,075 B2	6/2015	Demuyne et al.	
7,338,182 B1	3/2008	Hastings et al.	362/150	2003/0063476 A1	4/2003	English et al.	
7,341,358 B2	3/2008	Hsieh	362/97.1	2004/0001344 A1	1/2004	Hecht	362/555
7,510,299 B2	3/2009	Timmermans et al.	362/225	2004/0085779 A1	5/2004	Pond et al.	362/516
7,520,636 B2	4/2009	Van der Poel	362/290	2004/0100796 A1	5/2004	Ward	
D593,246 S	5/2009	Fowler et al.	D26/76	2004/0240230 A1	12/2004	Kitajima	362/558
7,559,672 B1	7/2009	Parkyn et al.	362/244	2005/0180135 A1	8/2005	Mayer	362/240
7,594,736 B1	9/2009	Kassay et al.	362/225	2005/0264716 A1	12/2005	Kim et al.	
D604,446 S	11/2009	Fowler et al.	D26/76	2005/0281023 A1	12/2005	Gould	362/217
7,618,157 B1	11/2009	Galvez et al.	362/294	2006/0221611 A1	10/2006	No	362/247
7,618,160 B2	11/2009	Chinniah et al.	362/326	2006/0262521 A1	11/2006	Pieprgras et al.	362/149
D608,932 S	1/2010	Castelli	D26/76	2006/0291206 A1	12/2006	Angelini et al.	362/244
7,654,702 B1	2/2010	Ding et al.	362/294	2007/0070625 A1	3/2007	Bang	362/240
7,661,844 B2	2/2010	Sekiguchi et al.	362/249.02	2007/0109779 A1	5/2007	Sekiguchi et al.	
D611,183 S	3/2010	Duarte	D26/76	2007/0115670 A1	5/2007	Roberts et al.	
7,674,005 B2	3/2010	Chung et al.	362/223	2007/0115671 A1	5/2007	Roberts et al.	
7,686,470 B2	3/2010	Chiang	362/147	2007/0211457 A1	9/2007	Mayfield et al.	362/223
7,686,484 B2	3/2010	Heiking et al.	362/375	2007/0253205 A1	11/2007	Welker	362/373
7,712,918 B2	5/2010	Siemiet et al.	362/241	2007/0297181 A1	12/2007	Mayfield et al.	362/342
7,722,220 B2	5/2010	Van de Ven	362/294	2008/0019147 A1	1/2008	Erchak	362/607
7,722,227 B2	5/2010	Zhang et al.	362/364	2008/0049422 A1	2/2008	Trenchard et al.	362/238
D617,487 S	6/2010	Fowler et al.	D26/76	2008/0232093 A1	9/2008	Kim	362/147
7,768,192 B2	8/2010	Van de Ven et al.	313/503	2008/0278943 A1	11/2008	Van Der Poel	362/240
7,815,338 B2	10/2010	Siemiet et al.	362/218	2009/0034247 A1	2/2009	Boyer	362/225
7,824,056 B2	11/2010	Madireddi et al.	362/125	2009/0073693 A1	3/2009	Nall	362/249.02
7,828,468 B2	11/2010	Mayfield et al.	362/342	2009/0161356 A1	6/2009	Negley et al.	362/231
D633,247 S	2/2011	Kong et al.	D26/88	2009/0168439 A1	7/2009	Chiang	362/404
7,922,354 B2	4/2011	Everhart	362/235	2009/0196024 A1	8/2009	Heiking et al.	362/150
7,926,982 B2	4/2011	Liu	362/294	2009/0225543 A1	9/2009	Roberts et al.	
7,988,321 B2	8/2011	Wung et al.	362/218	2009/0237958 A1	9/2009	Kim	
7,988,335 B2	8/2011	Liu et al.	362/294	2009/0262543 A1	10/2009	Ho	362/373
7,991,257 B1	8/2011	Coleman		2009/0296388 A1	12/2009	Wu et al.	362/235
7,993,034 B2	8/2011	Wegner	362/296.05	2009/0310354 A1	12/2009	Zampini et al.	362/235
7,997,762 B2	8/2011	Wang et al.	362/249	2009/0323334 A1	12/2009	Roberts et al.	
8,038,314 B2	10/2011	Ladewig		2010/0061108 A1	3/2010	Zhang et al.	362/364
8,038,321 B1	10/2011	Franck et al.	362/249.02	2010/0097794 A1	4/2010	Teng et al.	362/231
8,058,659 B2	11/2011	Bisberg		2010/0103678 A1	4/2010	Van de Ven et al.	362/294
8,070,326 B2	12/2011	Lee	362/307	2010/0110679 A1	5/2010	Teng et al.	
D653,376 S *	1/2012	Kong et al.	D26/76	2010/0172133 A1	7/2010	Liu	362/235
8,092,043 B2	1/2012	Lin et al.	362/249.02	2010/0177532 A1	7/2010	Simon et al.	
8,092,049 B2	1/2012	Kinnune et al.	362/294	2010/0188609 A1	7/2010	Matsuki et al.	
8,096,671 B1	1/2012	Cronk	362/147	2010/0253591 A1	10/2010	Hwu et al.	345/1.3
D657,488 S	4/2012	Lown et al.	D26/120	2010/0254128 A1	10/2010	Pickard et al.	362/231
8,162,504 B2	4/2012	Zhang et al.	362/217	2010/0254145 A1	10/2010	Yamaguchi	
8,186,855 B2	5/2012	Wassel et al.	362/373	2010/0254146 A1	10/2010	McCanless	
8,197,086 B2	6/2012	Watanabe et al.	362/218	2010/0270903 A1	10/2010	Jao et al.	313/46
8,201,968 B2	6/2012	Maxik et al.		2010/0271843 A1	10/2010	Holten et al.	362/609
D664,699 S *	7/2012	Nakahira et al.	D26/74	2010/0277905 A1	11/2010	Janik et al.	362/235
8,215,799 B2	7/2012	Vanden Eynden et al.	362/294	2010/0277934 A1	11/2010	Oquendo, Jr.	362/433
8,246,219 B2	8/2012	Teng	362/217.02	2010/0295468 A1	11/2010	Pedersen et al.	315/294
8,256,927 B2	9/2012	Hu	362/218	2010/0327768 A1	12/2010	Kong et al.	315/294
D670,849 S	11/2012	Lay et al.	D26/74	2011/0032714 A1	2/2011	Chang	362/373
				2011/0043132 A1	2/2011	Kim et al.	362/235
				2011/0090671 A1	4/2011	Bertram et al.	362/84
				2011/0141722 A1	6/2011	Acampora et al.	362/218
				2011/0141734 A1	6/2011	Li	362/235

(56)

References Cited

U.S. PATENT DOCUMENTS

2011/0156584	A1	6/2011	Kim	315/32
2011/0164417	A1	7/2011	Huang	362/235
2011/0175533	A1	7/2011	Homan	315/130
2011/0199005	A1	8/2011	Bretschneider et al.	
2011/0199769	A1	8/2011	Bretschneider et al.	
2011/0246146	A1	10/2011	Kauffman et al.	703/2
2011/0255292	A1	10/2011	Shen	362/311
2011/0267810	A1	11/2011	Higman et al.	362/218
2011/0267823	A1	11/2011	Angelini et al.	362/277
2011/0305024	A1	12/2011	Chang	362/294
2012/0033420	A1	2/2012	Kim et al.	362/235
2012/0038289	A1	2/2012	Jee et al.	315/291
2012/0051041	A1	3/2012	Edmond et al.	362/231
2012/0127714	A1	5/2012	Rehn	
2012/0134146	A1	5/2012	Smith	362/225
2012/0140442	A1	6/2012	Woo	362/95
2012/0140461	A1	6/2012	Pickard	
2013/0235568	A1	9/2013	Green et al.	362/218
2013/0258652	A1	10/2013	Hsieh	362/225
2014/0265930	A1	9/2014	Harris	315/307
2014/0268692	A1*	9/2014	Edmond et al.	362/145
2014/0268747	A1*	9/2014	Demuynck et al.	362/235
2015/0016100	A1	1/2015	Ishii	362/223

FOREIGN PATENT DOCUMENTS

CN	1963289	A	5/2007
CN	101188261		5/2008
CN	101660715		3/2010
CN	101776254		7/2010
CN	101776254	A	7/2010
CN	101790660		7/2010
CN	101790660	A	7/2010
CN	102072443		5/2011
CN	202580962		12/2012
DE	102007030186		1/2009
DE	202010001832		7/2010
EP	1298383	A2	4/2003
EP	1357335	A2	10/2003
EP	1653254		5/2006
EP	1737051		12/2006
EP	1847762	A2	10/2007
EP	1860467		11/2007
EP	2287520	A2	2/2011
EP	2290690	A2	3/2011
EP	2636945	A2	9/2013
GB	774198		5/1957
JP	1069809		3/1998
JP	2002344027		11/2002
JP	U3097327		8/2003
JP	2004140327		5/2004
JP	2004345615		12/2004
JP	2004345615	A	12/2004
JP	2006173624		6/2006
JP	3151501	U	6/2009
JP	2009295577		12/2009
JP	2010103687		5/2010
JP	2011018571		8/2011
JP	2011018572		8/2011
JP	2006173624		6/2016
JP	2008147044		6/2016
TW	200524186		7/2005
TW	200524186	A	7/2005
TW	200914759	A	4/2009
TW	201018826		5/2010
TW	201018826	A	5/2010
WO	WO03102467		11/2003
WO	WO03102467		12/2003
WO	WO2009030233		3/2009
WO	WO2009140761	A1	11/2009
WO	WO2009157999		12/2009
WO	WO2009157999	A	12/2009
WO	WO2009157999	A1	12/2009
WO	2010024583	A2	3/2010
WO	WO2010024583		3/2010

WO	WO2010042216		4/2010
WO	WO2010042216	A2	4/2010
WO	WO2011074424	A1	6/2011
WO	WO2011096098	A1	8/2011
WO	WO2011098191		8/2011
WO	WO2011118991	A2	9/2011
WO	WO2011140353	A2	11/2011

OTHER PUBLICATIONS

Grant Notice from European Appl. No. 13701525.1, dated Nov. 19, 2014.

International Report and Written Opinion from PCT/US2013/049225, dated Jan. 22, 2015.

Office Action from U.S. Appl. No. 13/828,348, dated Nov. 20, 2014.

Office Action from U.S. Appl. No. 12/873,303, dated Nov. 28, 2014.

Office Action from U.S. Appl. No. 13/464,745, dated Dec. 10, 2014.

Office Action from U.S. Appl. No. 13/341,741, dated Dec. 24, 2014.

Office Action from U.S. Appl. No. 13/189,535, dated Jan. 13, 2015.

First Official Action from European Patent Appl. No. 12 743 003.1-1757, dated Jan. 16, 2015.

Office Action from U.S. Appl. No. 13/464,745, dated Feb. 12, 2014.

Office Action from U.S. Appl. No. 13/453,924, dated Feb. 19, 2014.

Office Action from U.S. Appl. No. 13/341,741, dated Jan. 14, 2014.

Office Action from U.S. Appl. No. 13/370,252, dated Dec. 20, 2013.

Cree LR24 Architectural LED troffer product information. 2 pages. available at www.cree.com/lighting.

Preliminary Report and Written Opinion from PCT appl. No. PCT/US2012/047084, dated Feb. 6, 2014.

Office Action from U.S. Appl. No. 13/787,727, dated Jan. 29, 2015.

Office Action from U.S. Appl. No. 13/429,080, dated Feb. 18, 2015.

Office Action from U.S. Appl. No. 13/453,924, dated Mar. 10, 2015.

Office Action from U.S. Appl. No. 13/429,080, dated Apr. 18, 2014.

Office Action from U.S. Appl. No. 12/961,385, dated Mar. 11, 2014.

Reasons for Rejection from Japanese Patent Appl. No. 2013-543207, dated May 20, 2014.

First Office Action from Chinese Patent Appl. No. 2011800529984, dated May 4, 2014.

Office Action from U.S. Appl. No. 13/544,662, dated May 5, 2014.

Office Action from U.S. Appl. No. 13/844,431, dated May 15, 2014.

Office Action from U.S. Appl. No. 13/341,741, dated Jun. 6, 2014.

International Preliminary Report on Patentability from PCT/US2012/071800 dated Jul. 10, 2014.

Office Action from U.S. Appl. No. 13/189,535, dated Jun. 20, 2014.

Office Action from U.S. Appl. No. 13/453,924, dated Jun. 25, 2014.

Office Action from U.S. Appl. No. 13/443,630, dated Jul. 1, 2014.

Communication from European Patent Appl. No. 13701525.1-1757, dated Sep. 26, 2014.

Decision of Rejection from Japanese Appl. No. 2013-543207, dated Nov. 25, 2014.

Office Action from Mexican Appl. No. 100881, dated Nov. 28, 2014.

Grant Notice from European Appl. No. 13701525.1-1757, dated Nov. 24, 2014.

Preliminary Report on Patentability from PCT/US2013/035668, dated Oct. 14, 2014.

Office Action from U.S. Appl. No. 13/442,746, dated Sep. 15, 2014.

Office Action from U.S. Appl. No. 13/429,080, dated Sep. 16, 2014.

Office Action from U.S. Appl. No. 13/844,431, dated Oct. 10, 2014.

Office Action from U.S. Appl. No. 13/443,630, dated Oct. 10, 2014.

Office Action from U.S. Appl. No. 13/368,217, dated Oct. 22, 2014.

Office Action from U.S. Appl. No. 12/961,385, dated Nov. 6, 2014.

Office Action from U.S. Appl. No. 13/453,924, dated Nov. 7, 2014.

Office Action from U.S. Appl. No. 13/464,745, dated Jul. 16, 2014.

International Preliminary Report on Patentability and Written Opinion from PCT/US2013/021053, dated Aug. 21, 2014.

U.S. Appl. No. 14/145,559, filed Dec. 31, 2013, Lui, et al.

U.S. Appl. No. 12/463,709, filed May 11, 2009, Donofrio, et al.

U.S. Appl. No. 11/656,759, filed Jan. 22, 2007, Chitnis, et al.

U.S. Appl. No. 11/899,790, filed Sep. 7, 2007, Chitnis, et al.

U.S. Appl. No. 12/566,195, filed Sep. 24, 2009, Van de Ven, et al.

U.S. Appl. No. 12/704,730, filed Feb. 12, 2010, Van de Ven, et al.

U.S. Appl. No. 14/145,355, filed Dec. 31, 2013, Van de Ven, et al.

(56)

References Cited

OTHER PUBLICATIONS

- U.S. Appl. No. 13/828,348, filed Mar. 14, 2013, Edmond, et al.
 U.S. Appl. No. 13/345,215, filed Jan. 6, 2012, Lu, et al.
 White971 film Technical Data Sheet from WhiteOptics, LLC of New Castel.
 Office Action from Japanese Design Patent Application No. 2011-18570.
 Reason for Rejection from Japanese Design Patent Application No. 2011-18571.
 Reason for Rejection from Japanese Design Patent Application No. 2011-18572.
 International Search Report and Written Opinion for PCT Application No. PCT/US2011/062396, dated Jul. 13, 2012.
 U.S. Appl. No. 12/873,303, filed Aug. 31, 2010 to Edmond, et al.
 U.S. Appl. No. 12/961,385, filed Dec. 6, 2010 to Pickard, et al.
 Cree's XLamp XP-E LED's, data sheet, pp. 1-17.
 Cree's XLamp XP-G LED's, data sheet, pp. 1-12.
 International Search Report and Written Opinion for Patent Application No. PCT/US2011/001517, dated: Feb. 27, 2012.
 U.S. Appl. No. 12/418,796, filed Apr. 6, 2009.
 U.S. Appl. No. 13/429,080, filed Mar. 23, 2012.
 U.S. Appl. No. 13/028,946, filed Feb. 16, 2011.
 U.S. Appl. No. 13/306,589, filed Nov. 29, 2011.
 U.S. Appl. No. 13/649,052, filed Oct. 10, 2012, Lowes, et al.
 U.S. Appl. No. 13/649,067, filed Oct. 10, 2012, Lowes, et al.
 U.S. Appl. No. 13/207,204, filed Aug. 10, 2011, Athalye, et al.
 U.S. Appl. No. 13/365,844.
 U.S. Appl. No. 13/662,618, filed Oct. 29, 2012, Athalye, et al.
 U.S. Appl. No. 13/462,388, filed May 2, 2012.
 U.S. Appl. No. 13/842,150, filed Mar. 15, 2013, Dixon, et al.
 U.S. Appl. No. 13/770,389, filed Feb. 19, 2013, Lowes, et al.
 U.S. Appl. No. 13/782,820, filed Mar. 1, 2013, Dixon, et al.
 XLamp® C family from Cree®, Inc., Product Family Data Sheet, 15 pages.
 XLamp® M family from Cree®, Inc., Product Family Data Sheet, 14 pages.
 XLamp® X family from Cree®, Inc., Product Family Data Sheet, 17 pages.
 Energy Star® Program Requirements for Solid State Lighting Luminaires, Eligibility Criteria—Version 1.1, final: Dec. 19, 2008.
 Assist Recommends . . . LED Life for General Lighting: Definition of Life, vol. 1, Issue 1. Feb. 2005.
 "IES Approved Method for Measuring Lumen Maintenance of LED light Sources", Sep. 22, 2008, ISBN No. 978-0-87995-227-3, (LM-80).
 International Search Report and Written Opinion from PCT Application No. PCT/US2013/021053, dated Apr. 17, 2013.
 Search Report and Written Opinion from PCT Patent Appl. No. PCT/US2012/047084, dated Feb. 27, 2013.
 Search Report and Written Opinion from PCT Patent Appl. No. PCT/US2012/071800, dated Mar. 25, 2013.
 U.S. Appl. No. 12/074,762, filed Mar. 2008, Jacobson, et al.
 U.S. Appl. No. 13/442,311, filed Apr. 2012, Lu, et al.
 U.S. Appl. No. 13/763,270, filed Feb. 2010, Heeter, et al.
 Citadel(tm) SLP Lighting (<http://www.slplighting.com/enclosures.html>).
 Final Rejection issued in Korean Design Appl. No. 30-2011-0038114, dated Jun. 14, 2013.
 Final Rejection issued in Korean Design Appl. No. 30-2011-0038115, dated Jun. 14, 2013.
 Final Rejection issued in Korean Design Appl. No. 30-2011-0036116, dated Jun. 17, 2013.
 International Search Report and Written Opinion from PCT Patent Appl. No. PCT/US2013/035668, dated Jul. 12, 2013.
 Notice to Submit a Response from Korean Patent Application No. 30-2011-0038115, dated Dec. 12, 2012.
 Notice to Submit a Response from Korean Patent Application No. 30-2011-0038116, dated Dec. 12, 2012.
 International Search Report and Written Opinion from Appl. No. PCT/CN2013/072772, dated Dec. 19, 2013
 International Search Report and Written Opinion from PCT/US2013/049225, dated Oct. 24, 2013.
 Office Action from U.S. Appl. No. 29/387,171, dated May 2, 2012.
 Response to OA from U.S. Appl. No. 29/387,171, filed Aug. 2, 2012.
 Office Action from U.S. Appl. No. 12/961,385, dated Apr. 26, 2013.
 Response to OA from U.S. Appl. No. 12/961,385, filed Jul. 24, 2013.
 Office Action from U.S. Appl. No. 13/464,745, dated Jul. 16, 2013.
 Office Action from U.S. Appl. No. 29/368,970, dated Jun. 19, 2012.
 Office Action from U.S. Appl. No. 29/368,970, dated Aug. 24, 2012.
 Response to OA from U.S. Appl. No. 29/368,970, filed Nov. 26, 2012.
 Office Action from U.S. Appl. No. 12/961,385, dated Nov. 6, 2013.
 First Office Action from Chinese Patent Appl. No. 2012800369142, dated Mar. 26, 2015.
 Office Action from U.S. Appl. No. 13/464,745, dated Apr. 2, 2015.
 Office Action from U.S. Appl. No. 13/442,746, dated Apr. 28, 2015.
 Office Action from U.S. Appl. No. 13/368,217, dated May 13, 2015.
 Office Action from U.S. Appl. No. 13/828,348, dated May 27, 2015.
 Notice of Completion of Pretrial Re-examination from Japanese Patent appl. No. 2013-543207, dated Jun. 30, 2015.
 Pretrial Report from Japanese Appl. No. 2013-543207, dated Jun. 19, 2015.
 Decision of Rejection from Chinese Patent Appl. No. 201180052998.4, dated Jul. 16, 2015.
 Office Action from U.S. Appl. No. 12/873,303, dated Jun. 22, 2015.
 Response to OA from U.S. Appl. No. 12/873,303, filed Aug. 21, 2015.
 Office Action from U.S. Appl. No. 13/341,741, dated Jun. 22, 2015.
 Office Action from U.S. Appl. No. 13/443,630, dated Jun. 23, 2015.
 Response to OA from U.S. Appl. No. 13/443,630, filed Aug. 21, 2015.
 Office Action from U.S. Appl. No. 13/189,535, dated Jul. 14, 2015.
 Office Action from U.S. Appl. No. 13/453,924, dated Jul. 21, 2015.
 Office Action from U.S. Appl. No. 13/442,746, dated Jul. 27, 2015.
 Office Action from U.S. Appl. No. 14/020,757, dated Aug. 3, 2015.
 Office Action from U.S. Appl. No. 13/429,080, dated Sep. 1, 2015.
 Office Action from U.S. Appl. No. 14/716,480, dated Sep. 24, 2015.
 Office Action from U.S. Appl. No. 14/170,627, dated Oct. 5, 2015.
 Office Action from U.S. Appl. No. 13/368,217, dated Oct. 8, 2015.
 Office Action from U.S. Appl. No. 13/464,745, dated Oct. 8, 2015.
 Office Action from U.S. Appl. No. 29/466,391, dated Oct. 14, 2015.
 Office Action from U.S. Appl. No. 12/961,385, dated Nov. 27, 2015.
 Office Action from U.S. Appl. No. 13/828,348, dated Nov. 4, 2015.
 Office Action from U.S. Appl. No. 14/020,757, dated Nov. 24, 2014.
 First Office Action from Chinese Patent Appl. No. 2011800588770, dated Sep. 25, 2015.
 Office Action from U.S. Appl. No. 13/464,745; Mar. 1, 2016.
 Office Action from U.S. Appl. No. 14/716,480; Mar. 3, 2016.
 Office Action from U.S. Appl. No. 13/368,217; Mar. 4, 2016.
 Office Action from U.S. Appl. No. 13/189,535; Mar. 18, 2016.
 Office Action from U.S. Appl. No. 14/020,757; Apr. 7, 2016.
 Office Action from U.S. Appl. No. 29/466,391; May 10, 2016.
 Second Office Action for Application No. 2011800588770; Dated Mar. 29, 2016.
 Examination Report from Taiwanese Patent Appl. No. 100131021, dated Jan. 5, 2016.
 Examination from European Patent Appl. No. 12743003.1-1757, dated Jan. 8, 2016.
 Notice of Reasons for Rejection from Japanese Patent Appl. No. 2013-543207, dated Feb. 2, 2016.
 Examination from European Patent Appl. No. 13 701 525.1-1757, dated Feb. 3, 2016.
 Office Action from U.S. Appl. No. 13/189,535; Jan. 6, 2016.
 Office Action from U.S. Appl. No. 13/341,741; Jan. 8, 2016.
 Office Action from U.S. Appl. No. 13/873,303; Feb. 2, 2016.
 Office Action for U.S. Appl. No. 13/828,348; Dated Jun. 2, 2016.
 Notice of Reason for Rejection for Japanese Appl. No. 2013-543207; Dated May 24, 2016.

(56)

References Cited

OTHER PUBLICATIONS

Office Action for U.S. Appl. No. 14/020,757; Dated Jul. 19, 2016.
Examination Report from Taiwan Application No. 100131021;
Dated Jul. 21, 2016.

Office Action for U.S. Appl. No. 14/716,480; Dated Aug. 26, 2016.
European Summons for Oral Proceedings for Application No.
12743003.1; Dated Sep. 2, 2016.

Office Action for U.S. Appl. No. 13/464,745; Dated Sep. 7, 2016.

* cited by examiner

FIG. 1A

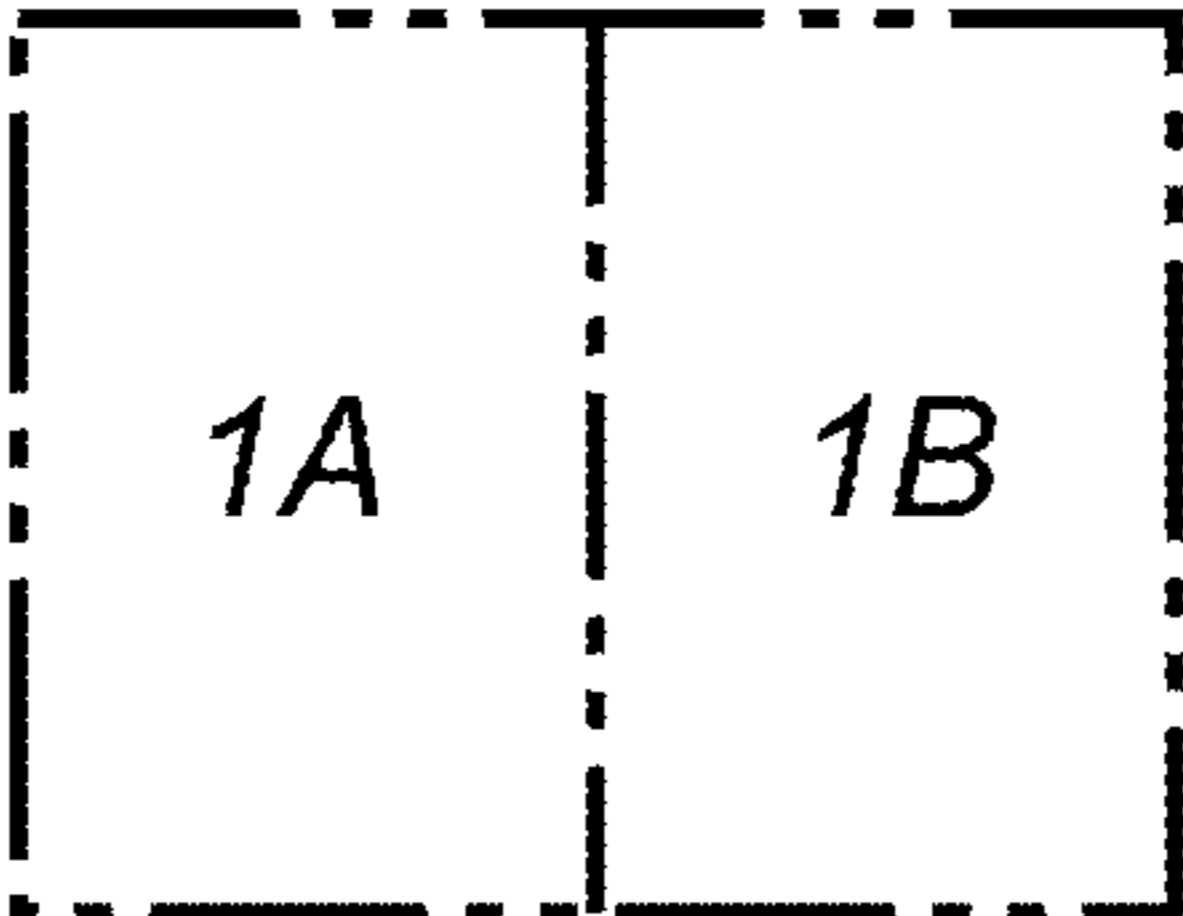
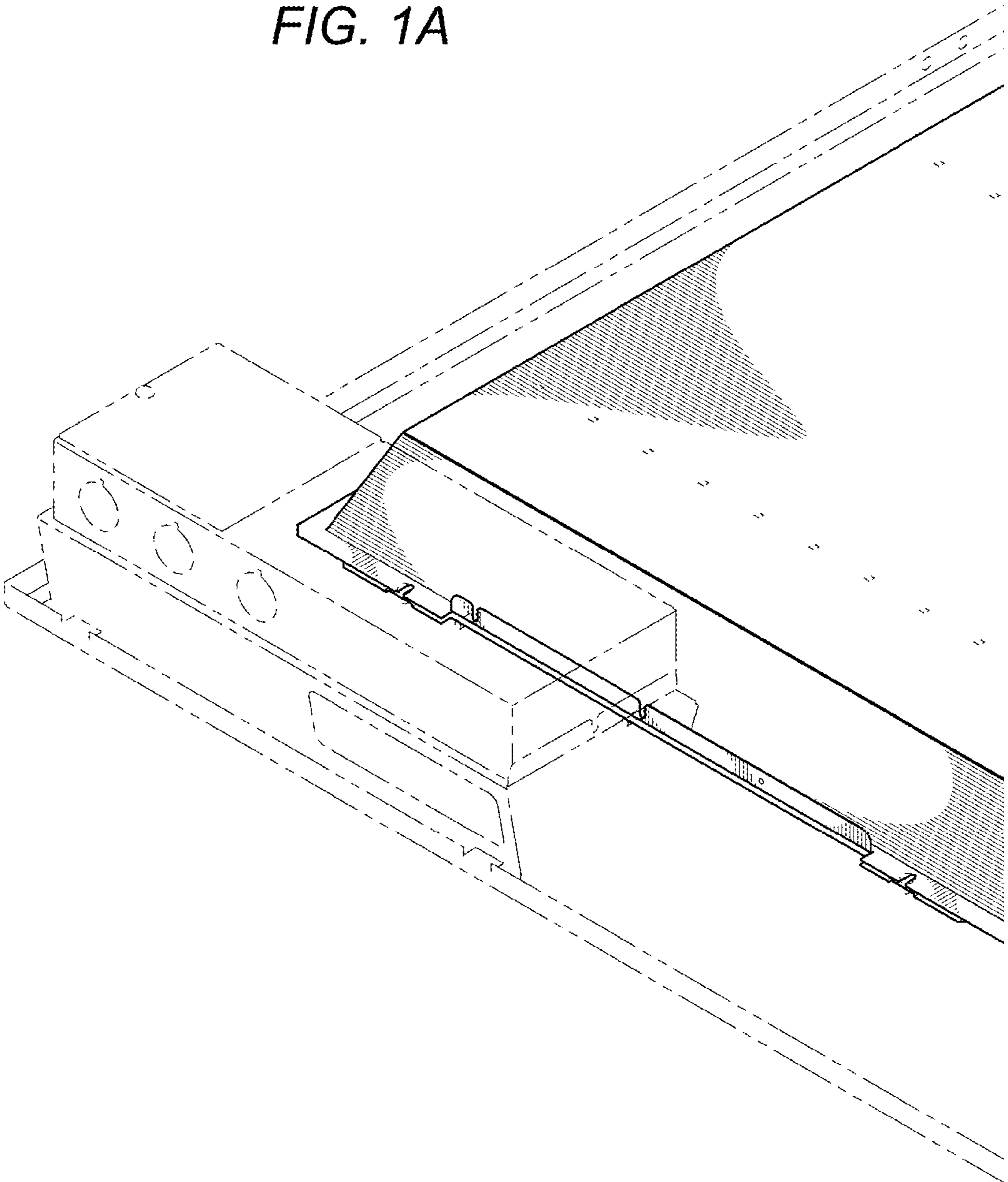


FIG. 1B

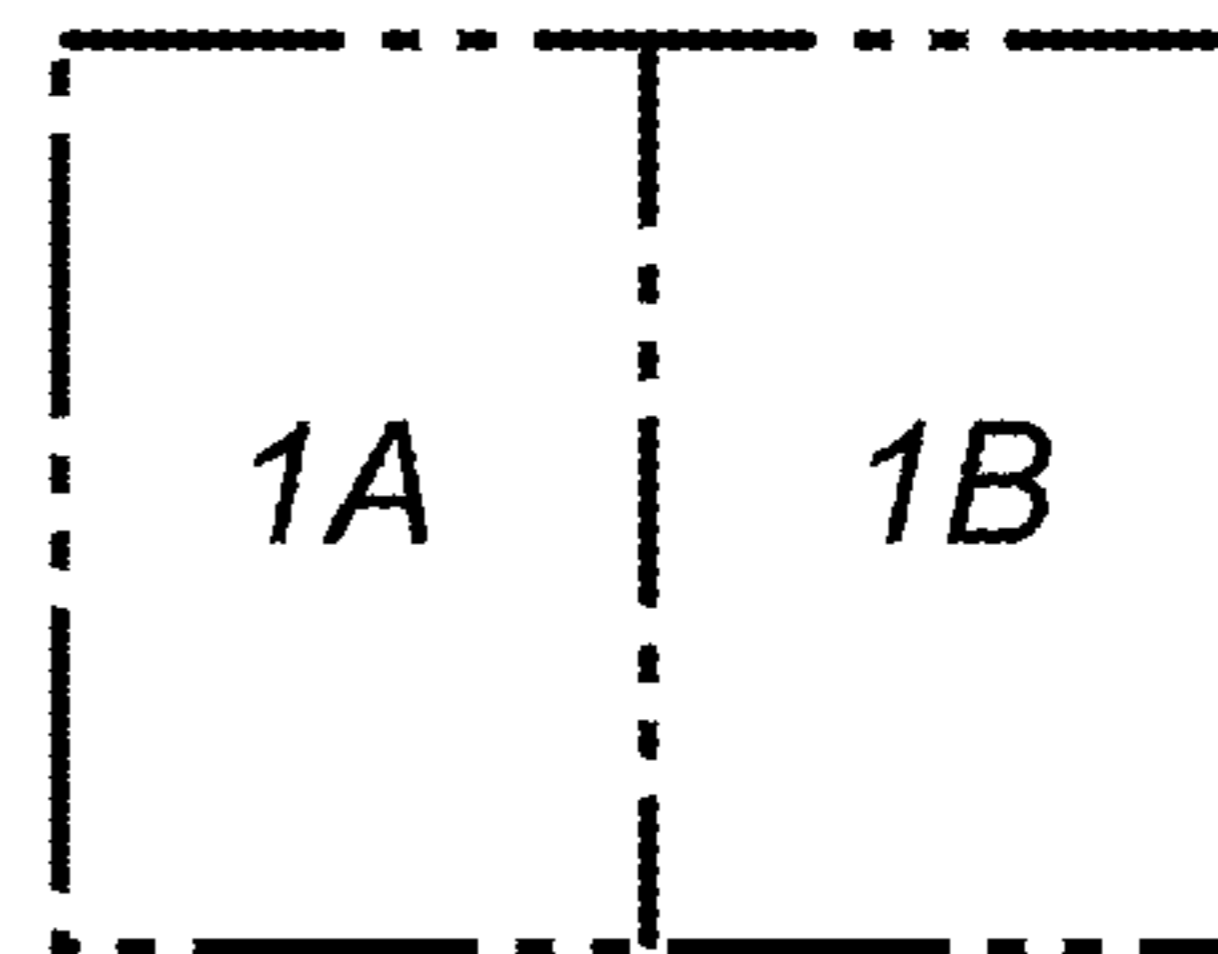
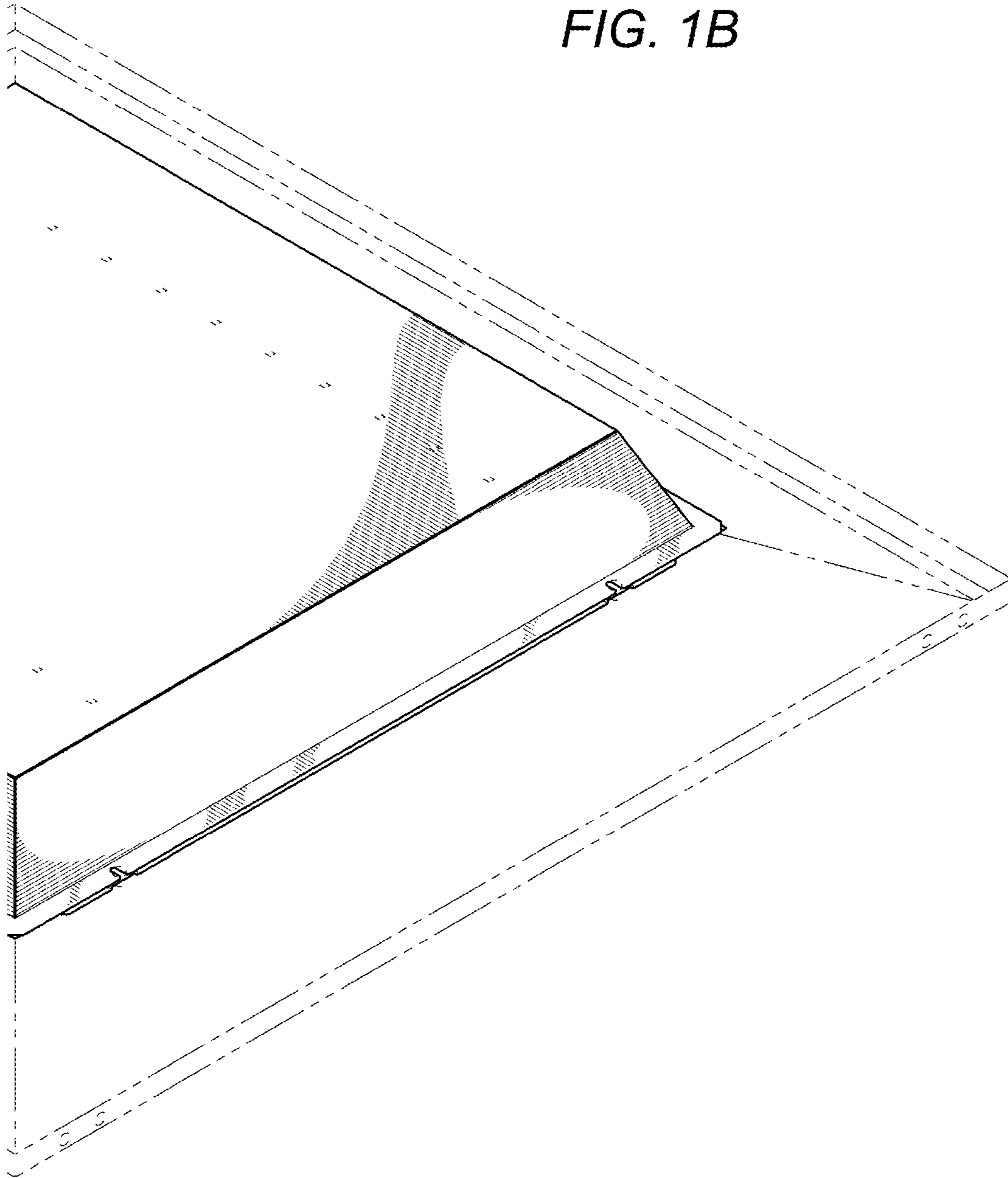


FIG. 2A

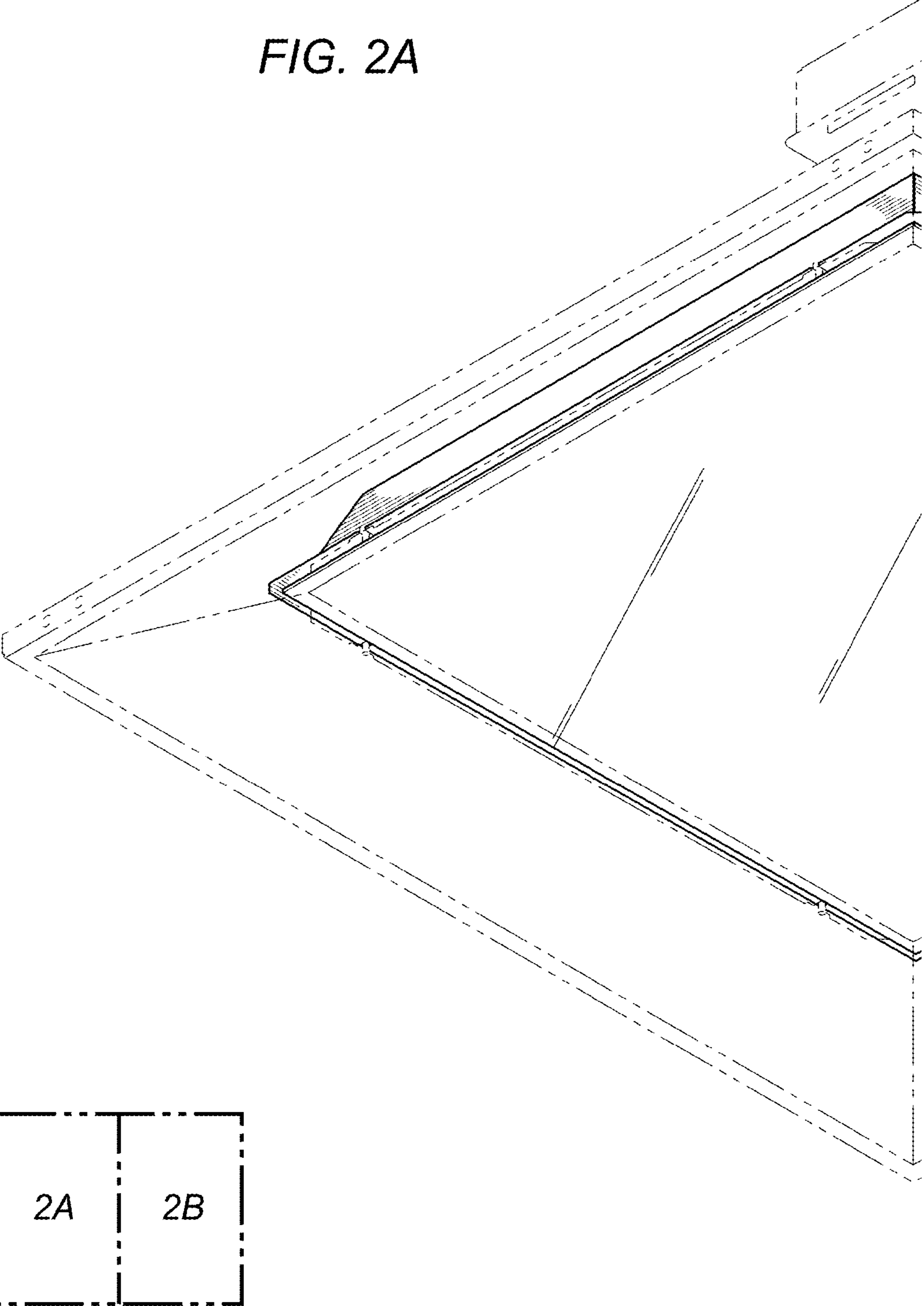
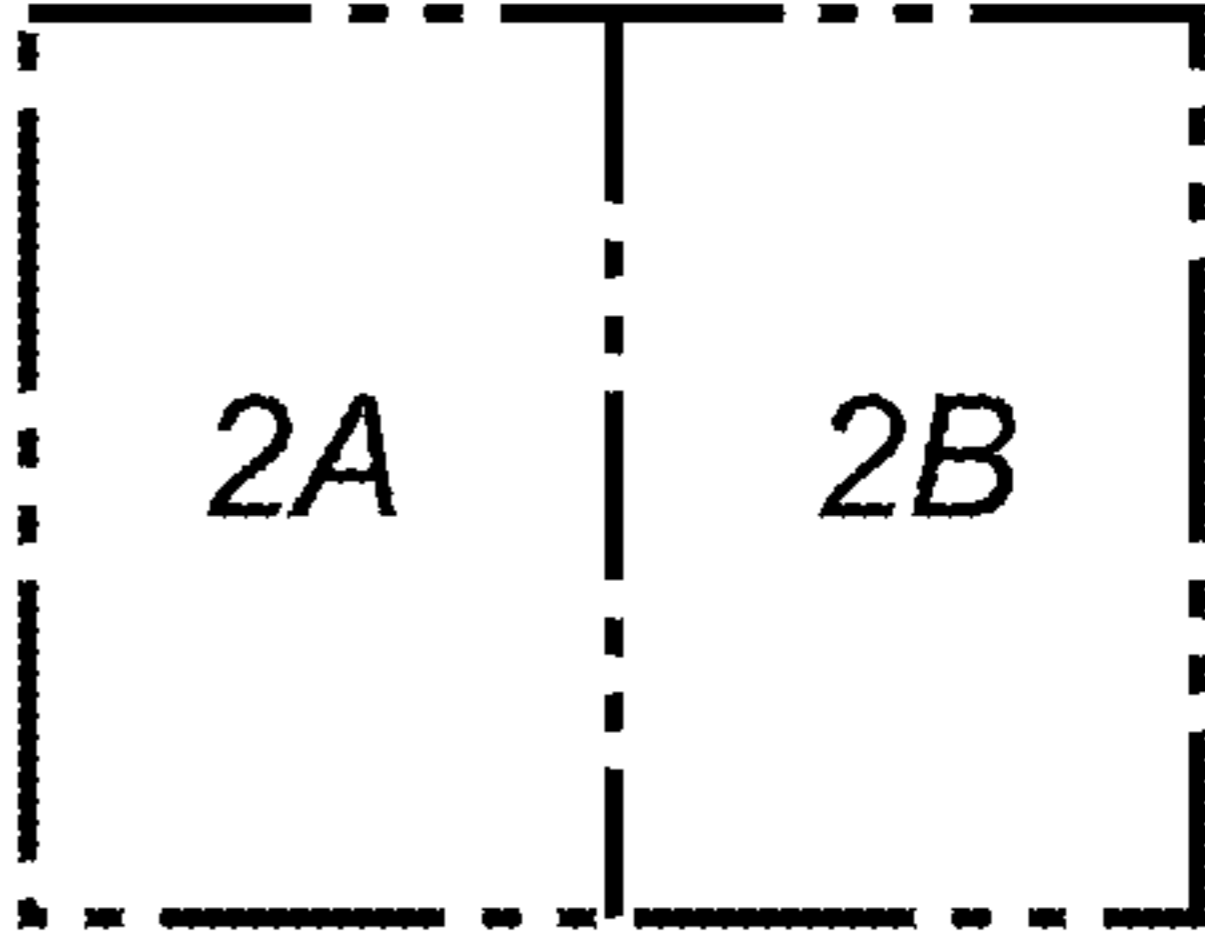
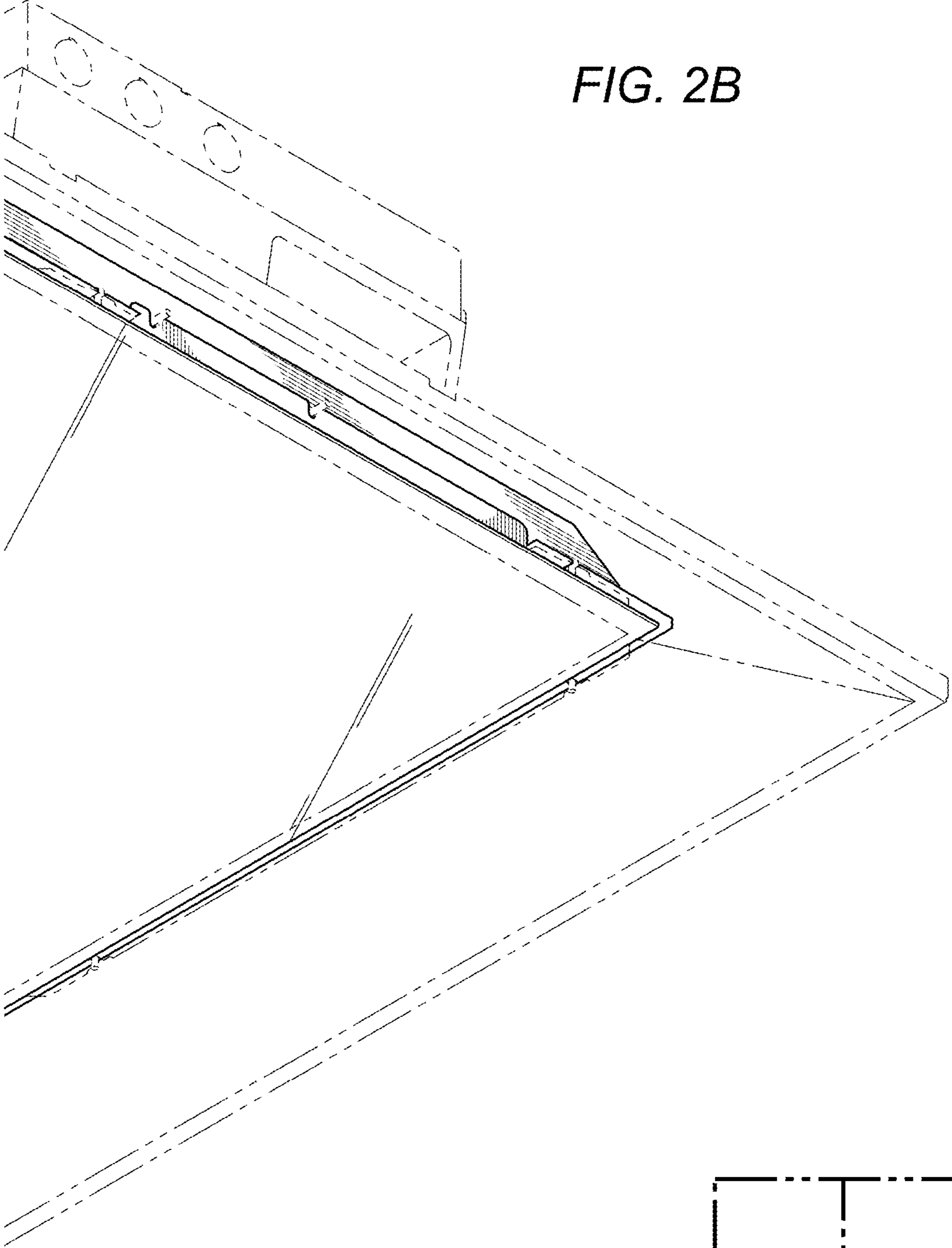
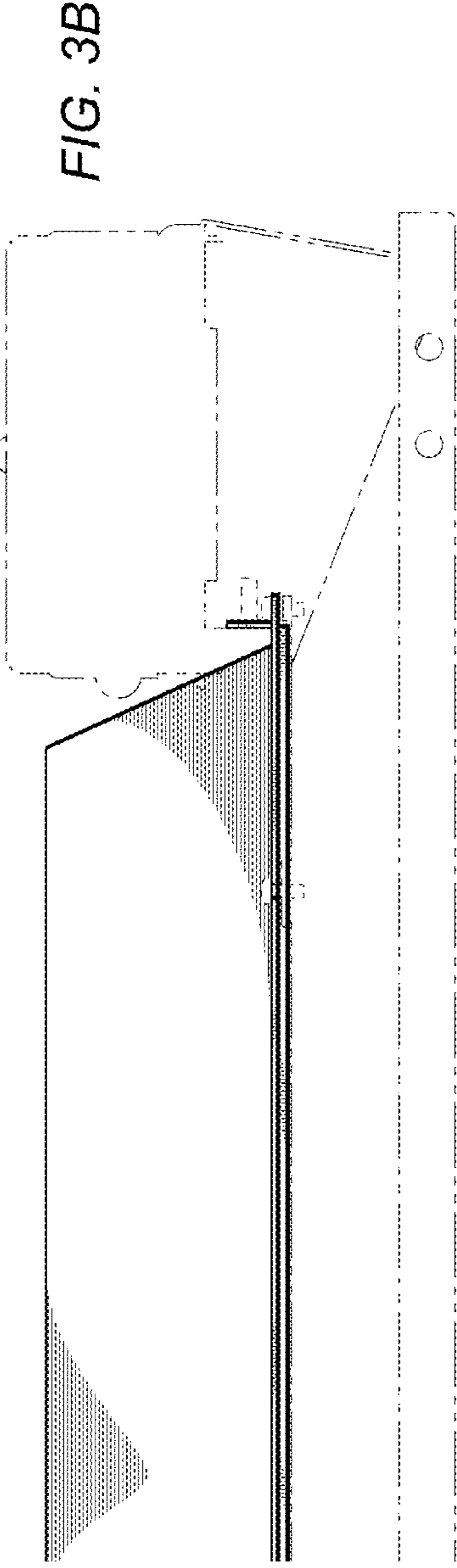
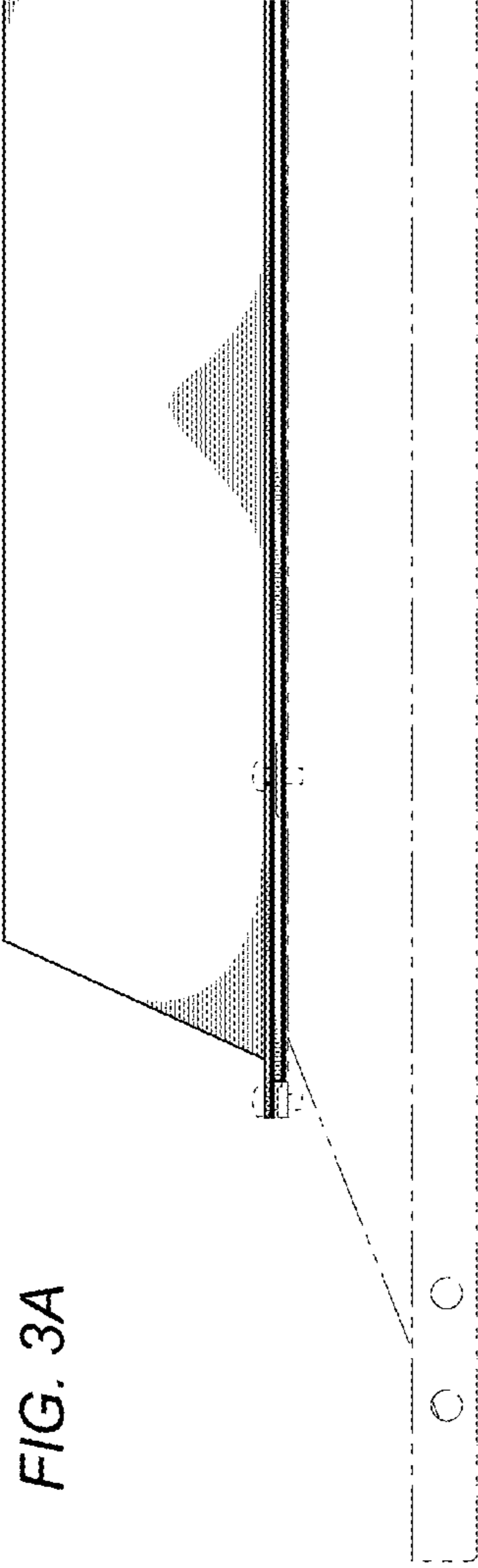


FIG. 2B





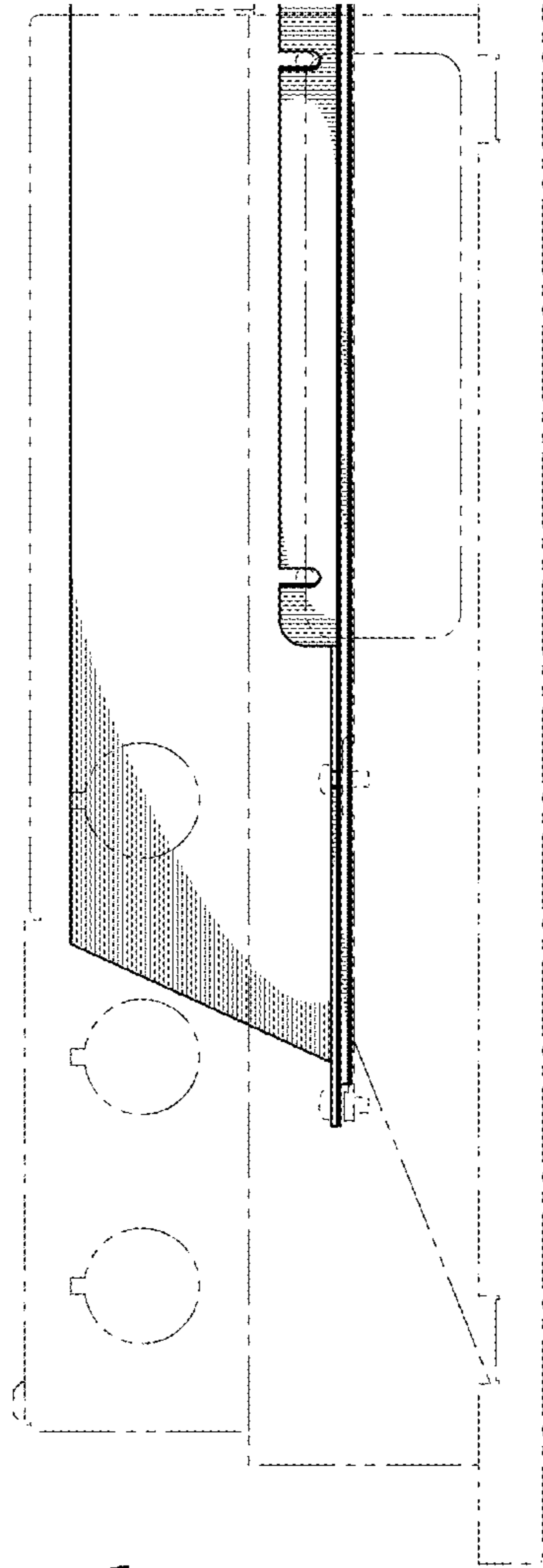


FIG. 4A

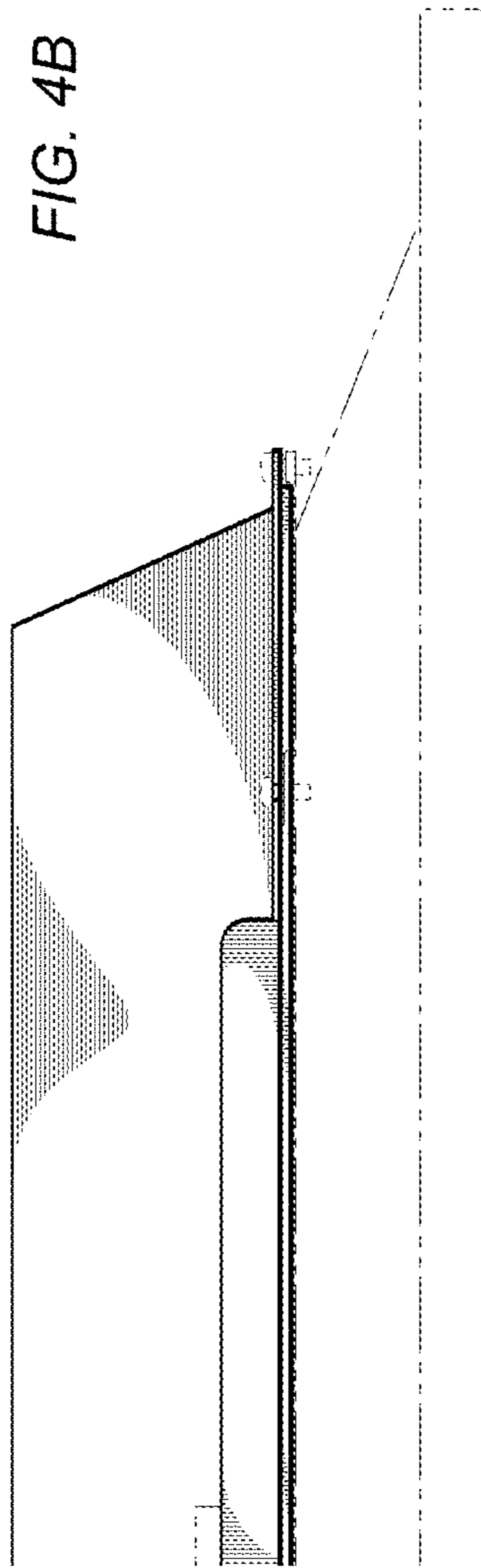


FIG. 4B

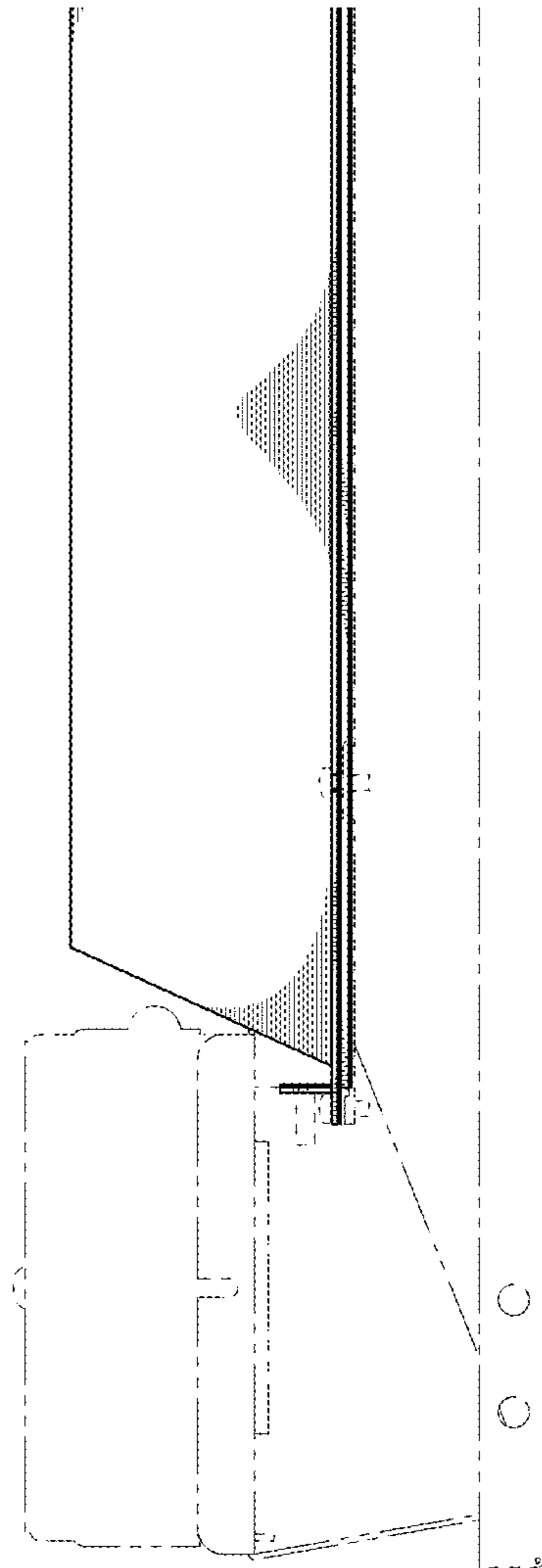


FIG. 5A

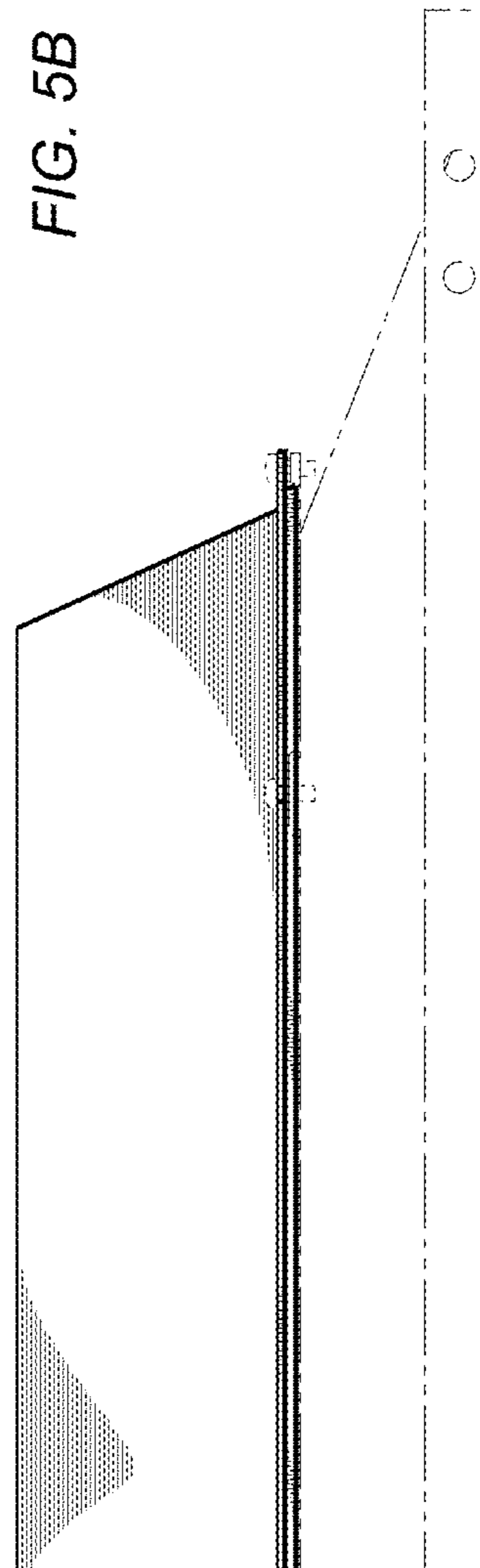
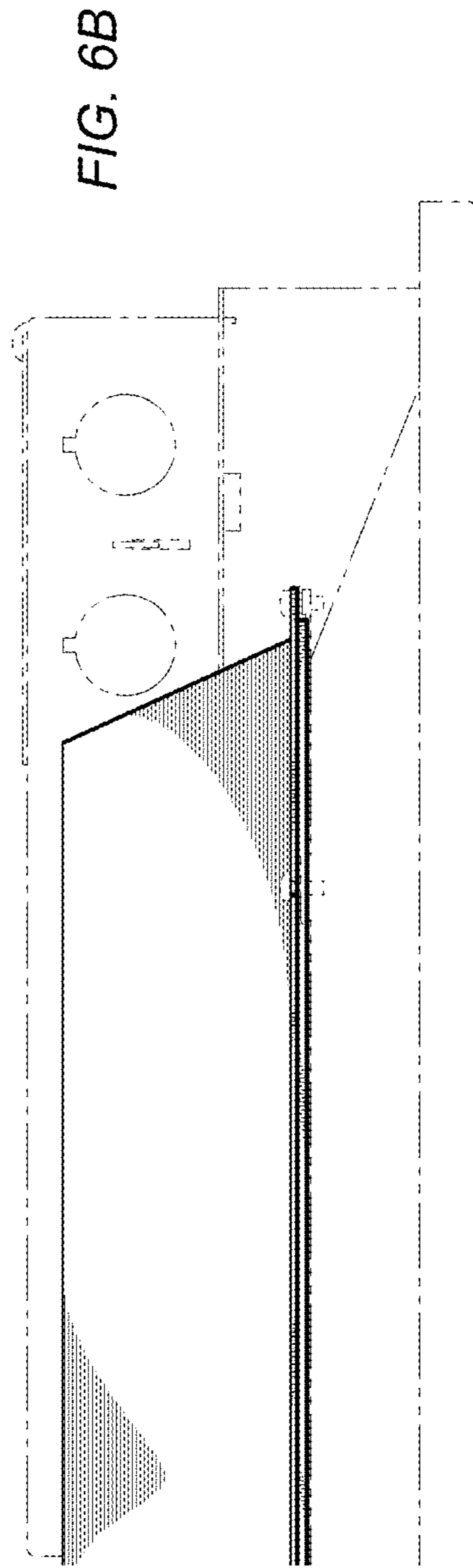
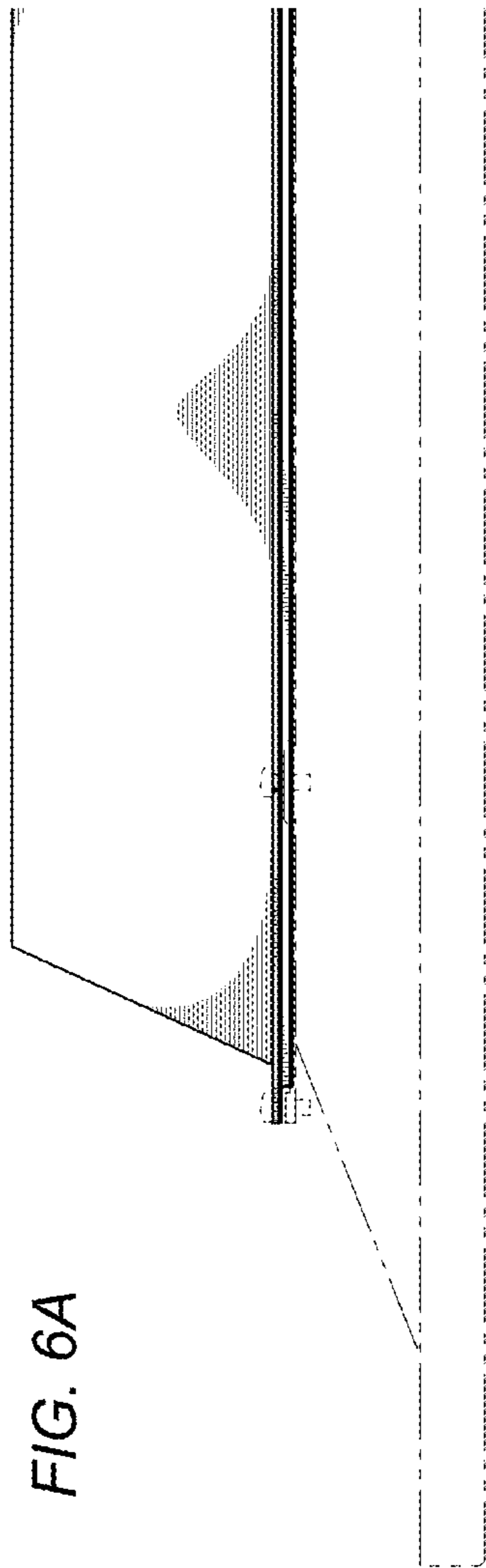


FIG. 5B



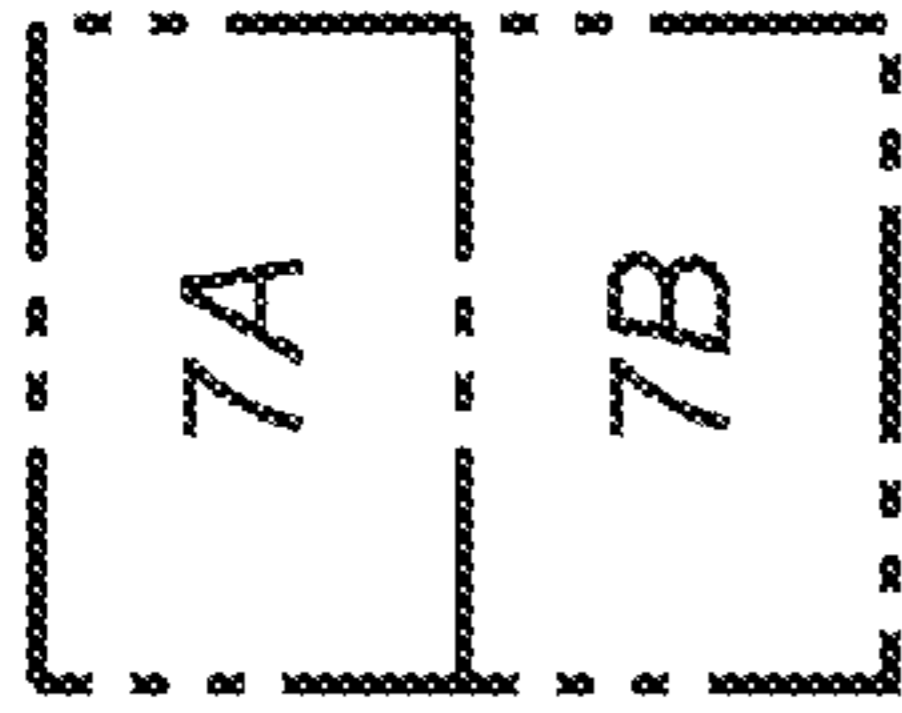
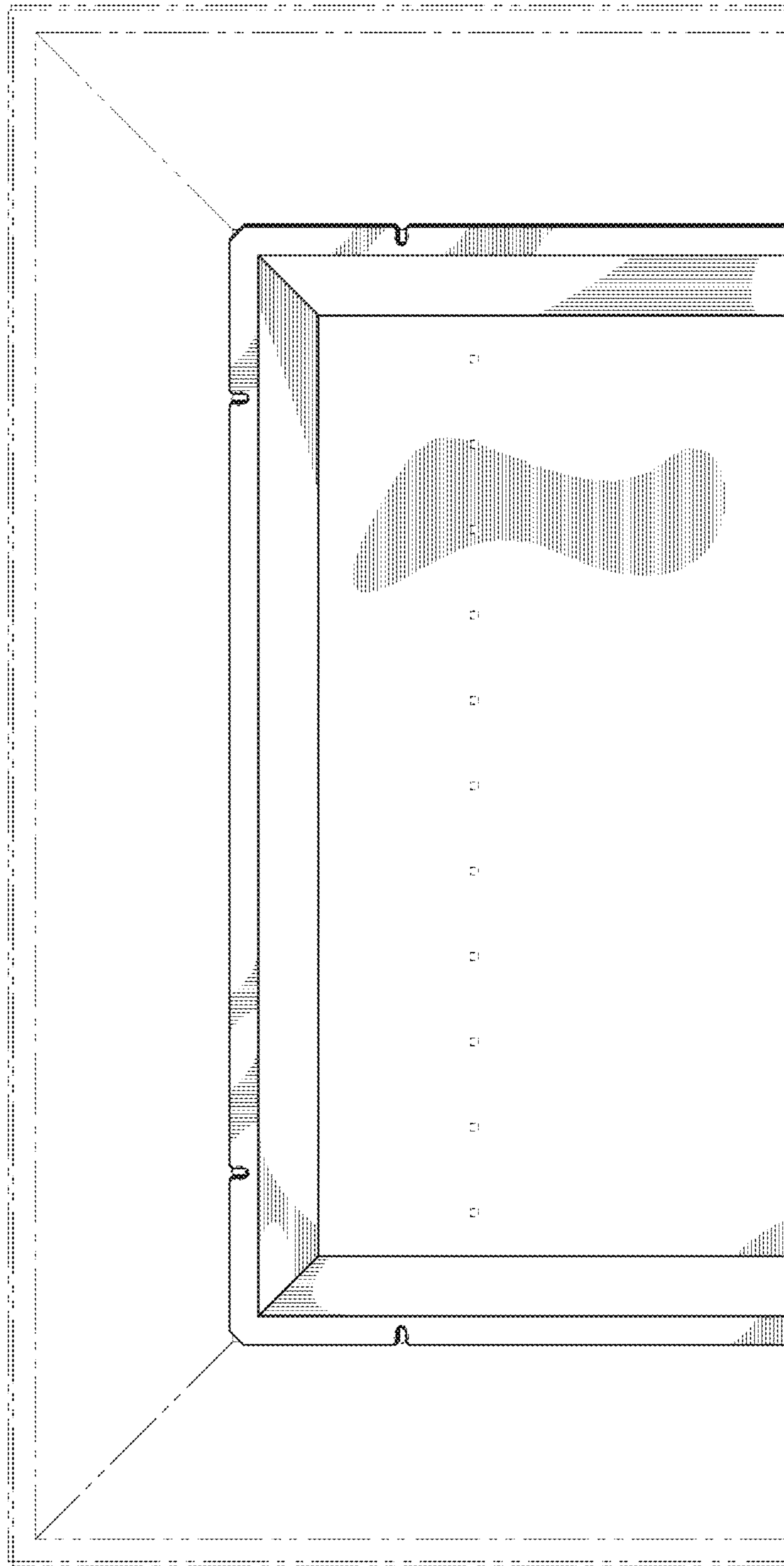


FIG. 7A



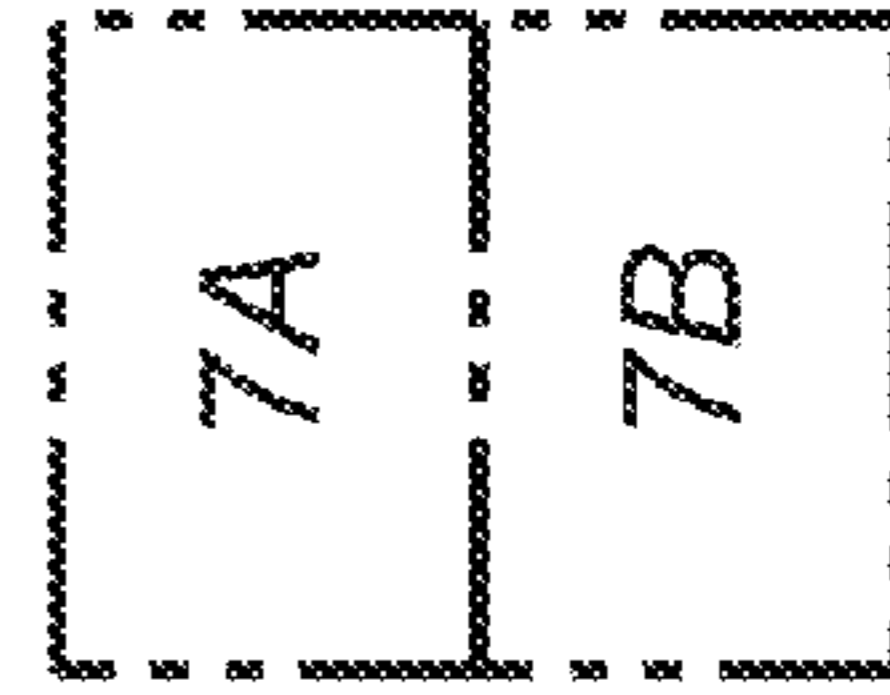
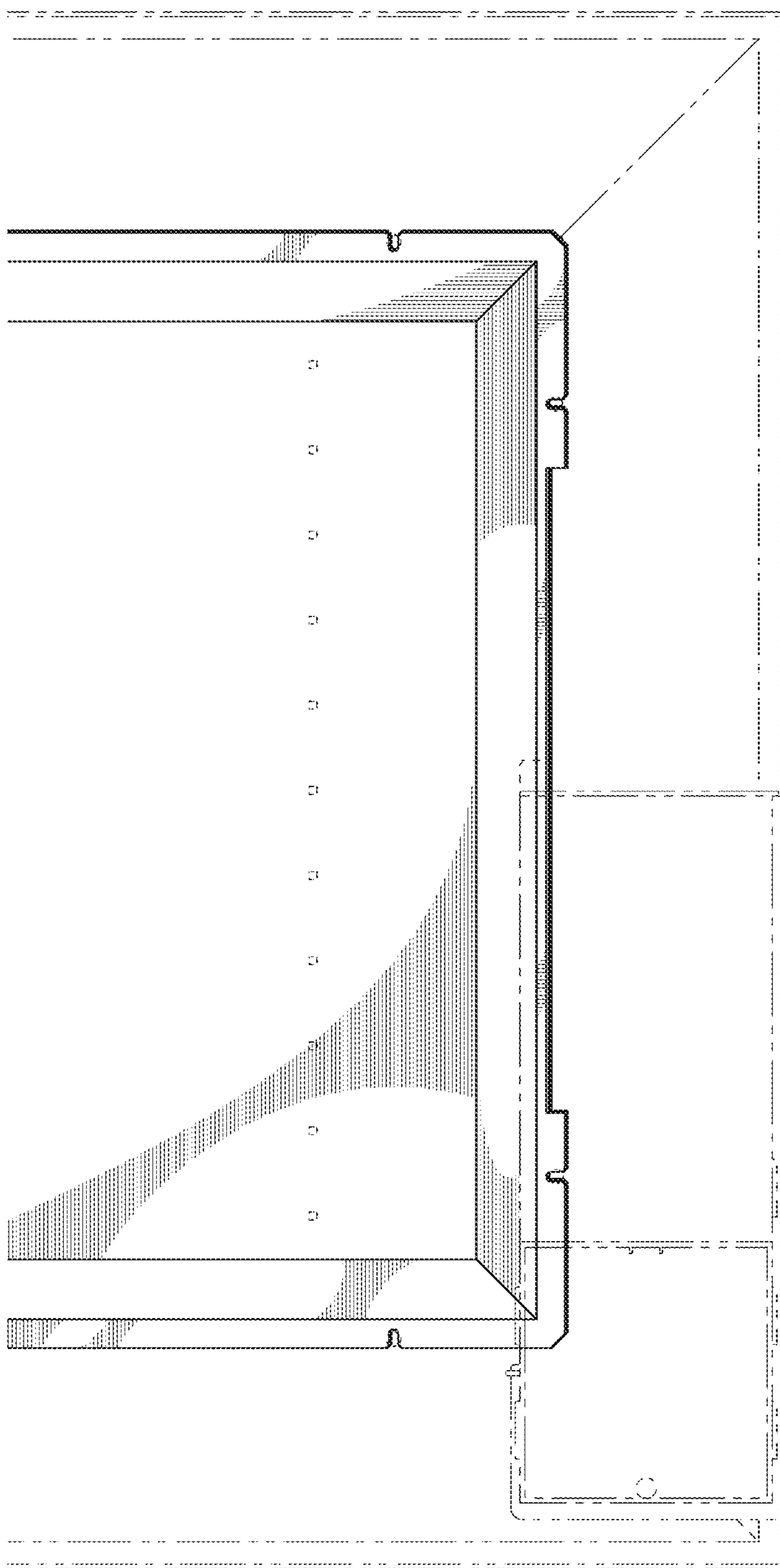


FIG. 7B

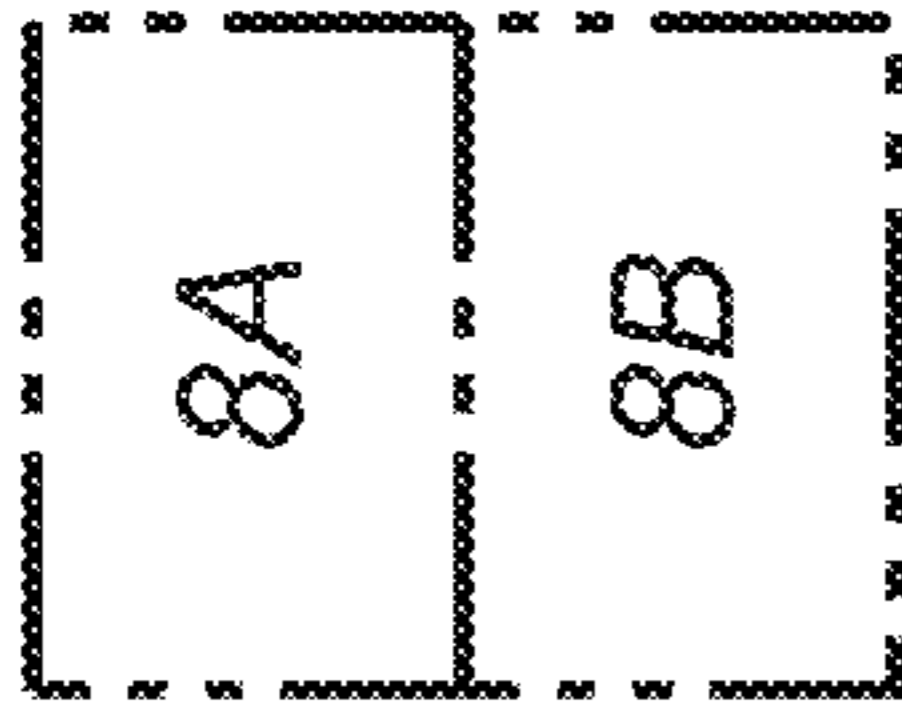
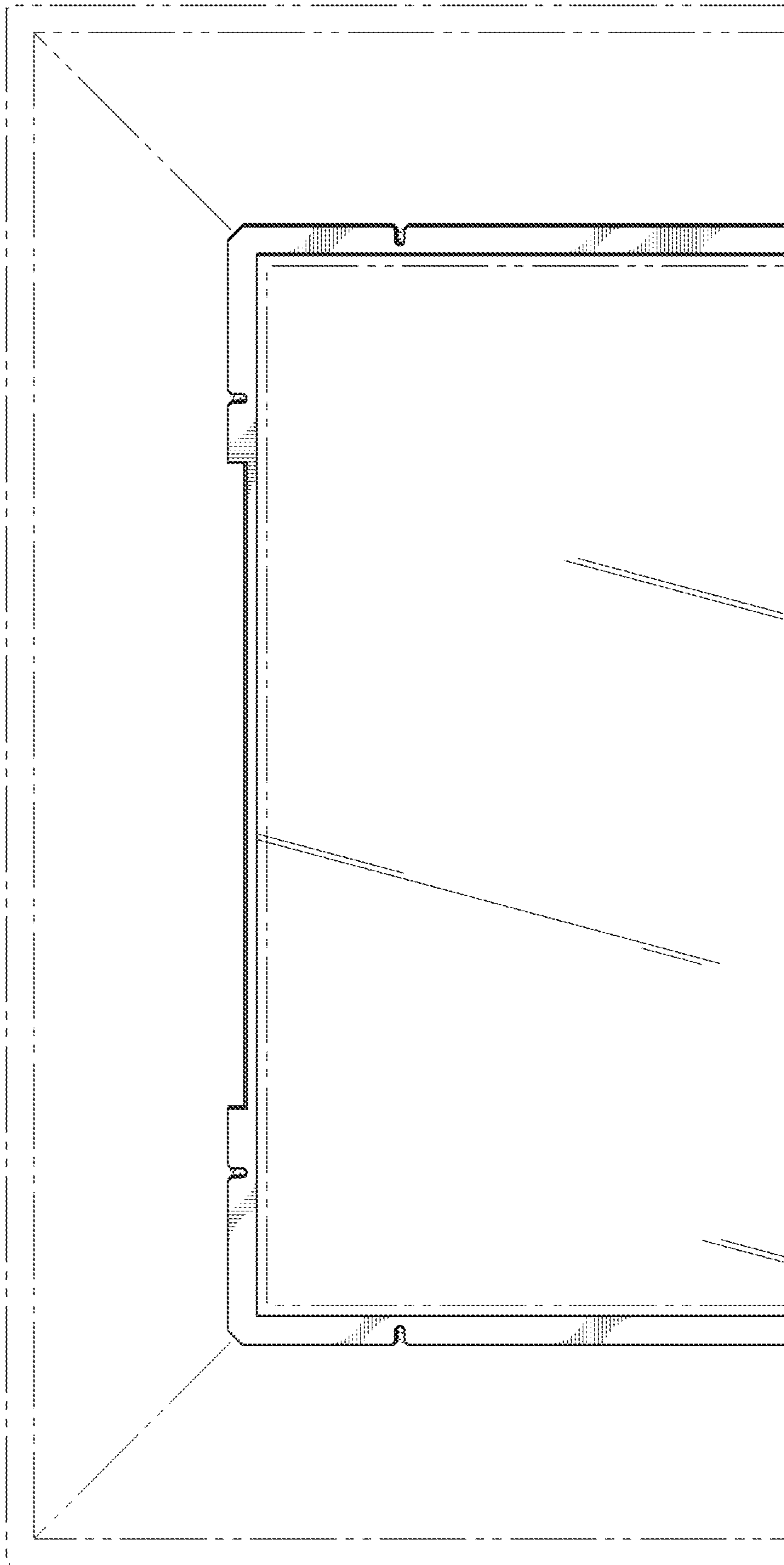


FIG. 8A



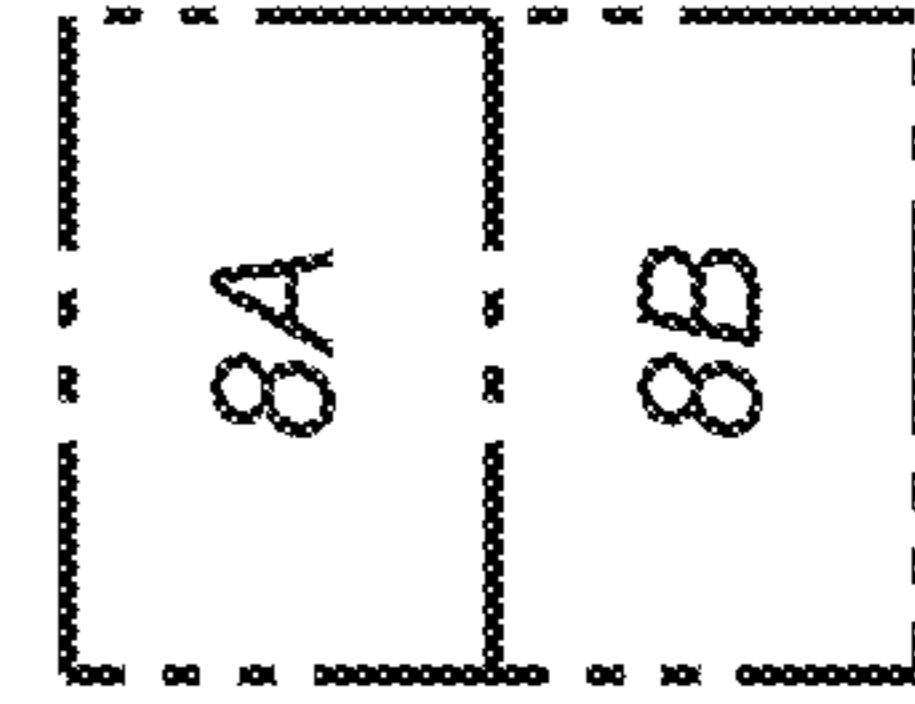
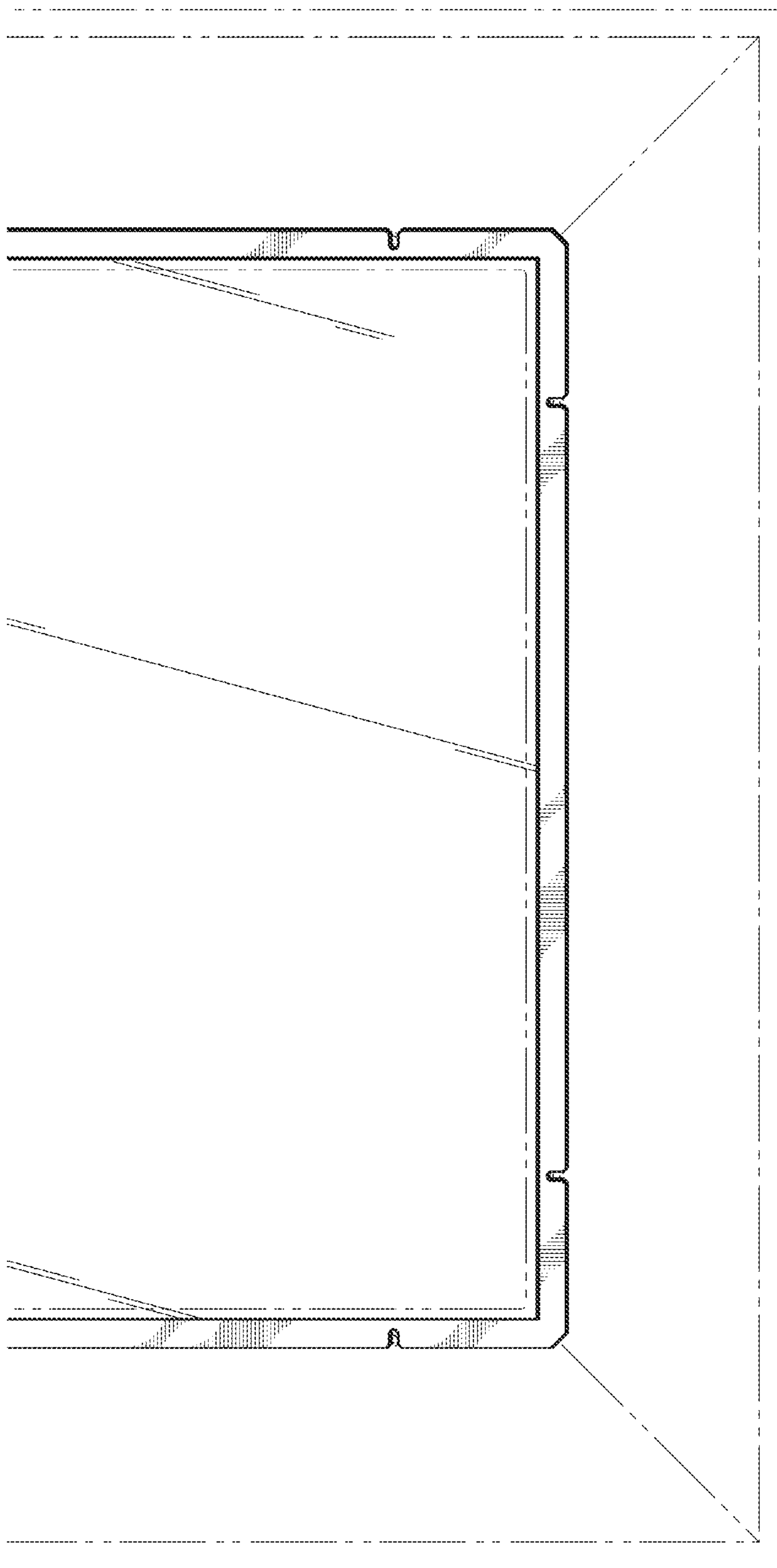


FIG. 8B