



US00D772464S

(12) **United States Design Patent**
Wu

(10) **Patent No.:** **US D772,464 S**

(45) **Date of Patent:** **** Nov. 22, 2016**

(54) **SOLAR-POWERED LAMP**

(71) Applicant: **HUDSON HARDWARE AND PLASTIC CO., LIMITED**, Dongguan (CN)

(72) Inventor: **Chun-Yin Wu**, Dongguan (TW)

(73) Assignee: **HUDSON HARDWARE AND PLASTIC CO., LIMITED**, Dongguan (CN)

(**) Term: **15 Years**

(21) Appl. No.: **29/546,085**

(22) Filed: **Nov. 18, 2015**

(51) **LOC (10) Cl.** **26-05**

(52) **U.S. Cl.**
USPC **D26/68**

(58) **Field of Classification Search**
USPC D26/63, 67-70; D10/113.2
CPC F21S 8/08; F21S 8/081; F21S 8/083;
F21S 8/088; F21S 9/03; F21S 9/032; F21S
9/035; F21S 9/037; F21W 2131/109; F21W
2111/023; F21V 21/0824
See application file for complete search history.

(56) **References Cited**

U.S. PATENT DOCUMENTS

D418,619 S * 1/2000 Porter D20/17
6,705,751 B1 * 3/2004 Liu F21S 6/005
362/153.1

D597,698 S * 8/2009 Lee D26/68
D643,139 S * 8/2011 Sprengers D26/68
D665,939 S * 8/2012 Compton D26/68
D700,730 S * 3/2014 Behar D26/69
D752,269 S * 3/2016 Paz D26/68
2007/0211454 A1 * 9/2007 Shaner F21S 8/083
362/153
2015/0043202 A1 * 2/2015 Kosedag F21V 15/01
362/183

* cited by examiner

Primary Examiner — Clare E Heflin

(74) *Attorney, Agent, or Firm* — WPAT, P.C., Intellectual Property Attorneys; Anthony King

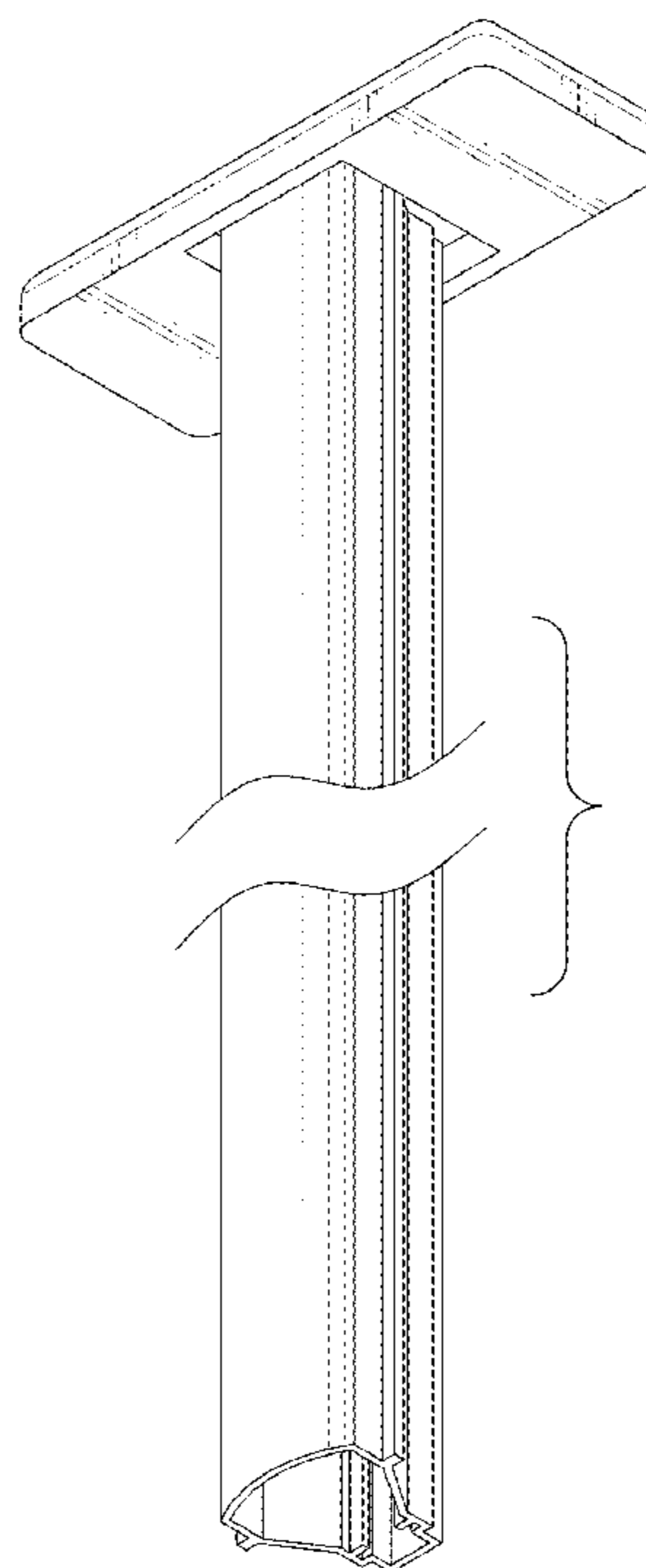
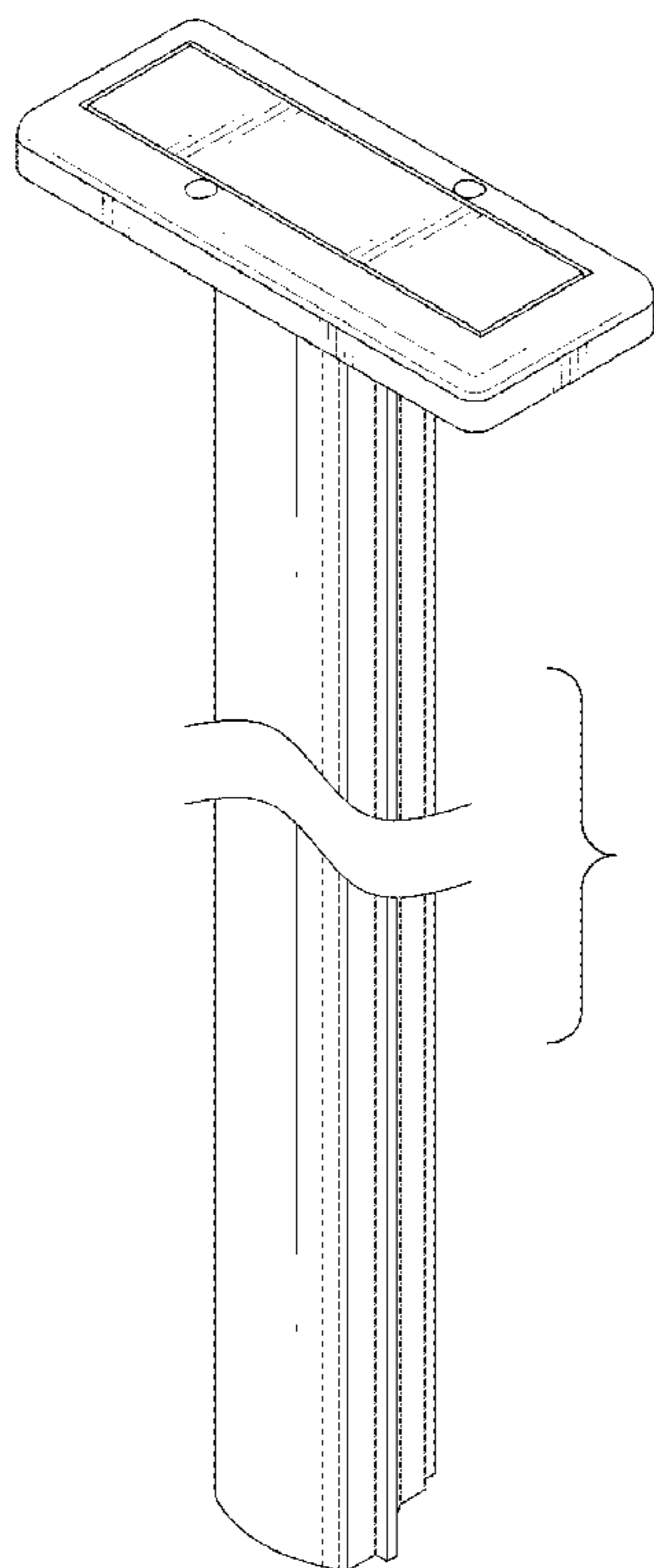
(57) **CLAIM**

The ornamental design for a solar-powered lamp, as shown and described.

DESCRIPTION

FIG. 1 is a perspective view of a solar-powered lamp showing my new design;
FIG. 2 is a front view thereof;
FIG. 3 is a rear view thereof;
FIG. 4 is a left side view thereof;
FIG. 5 is a right side view thereof;
FIG. 6 is a top view thereof;
FIG. 7 is a bottom view thereof; and,
FIG. 8 is another perspective view thereof.
The symbolic break in the drawings indicates the appearance of any portion of the article between the break lines forms no part of the claimed design.

1 Claim, 8 Drawing Sheets



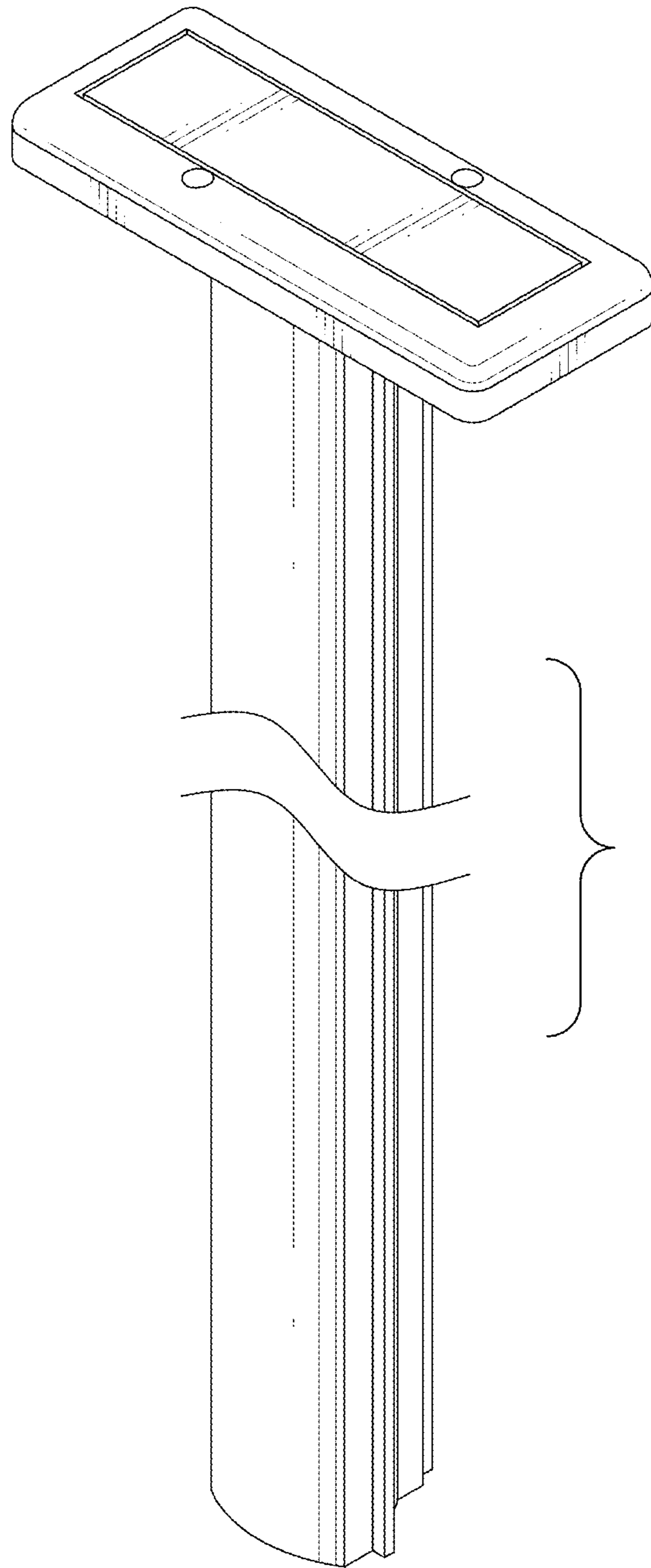


FIG.1

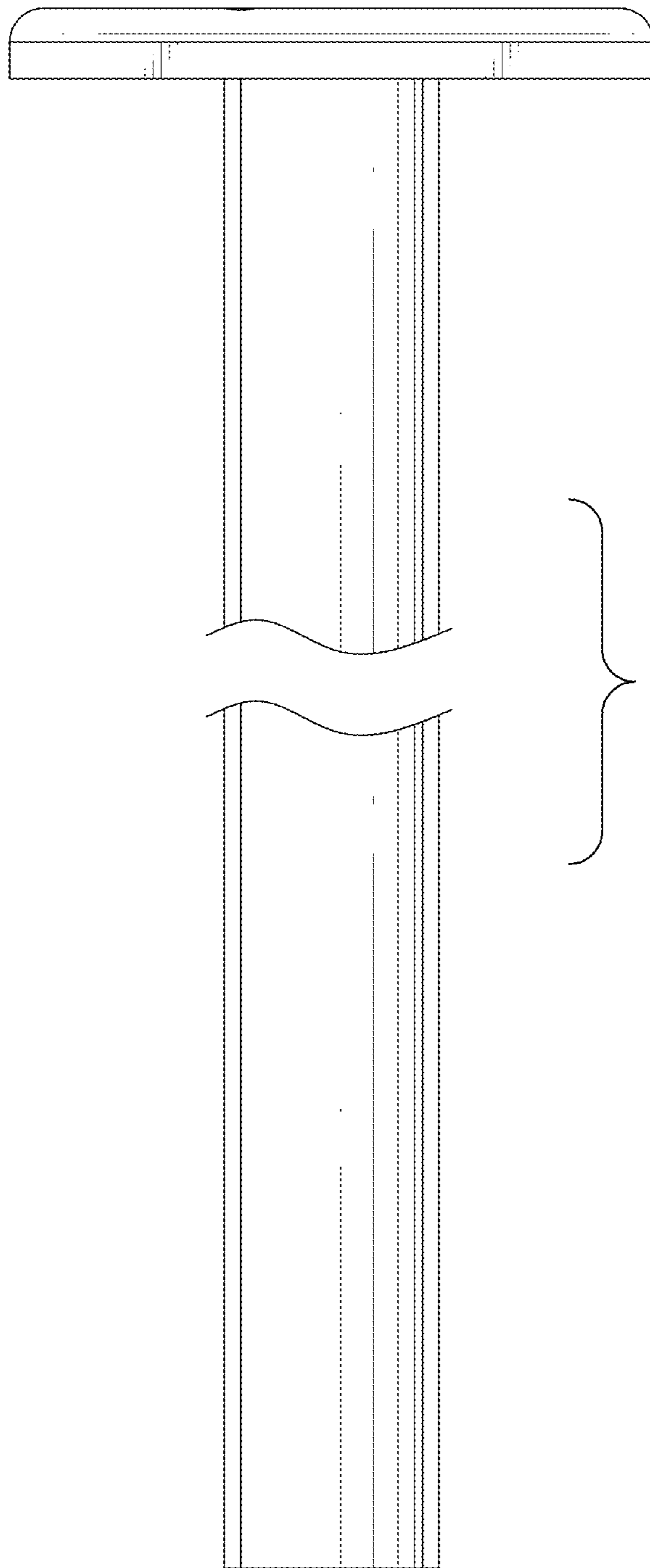


FIG.2

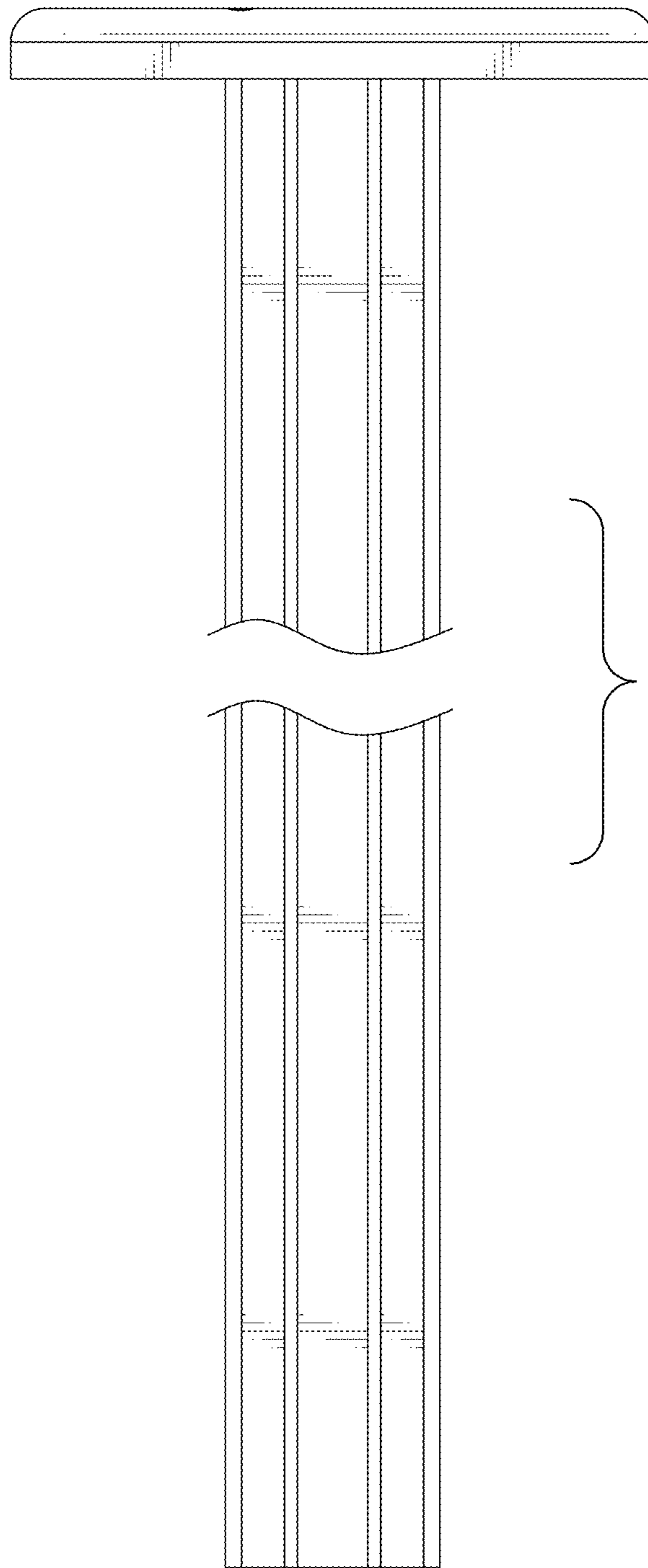


FIG.3

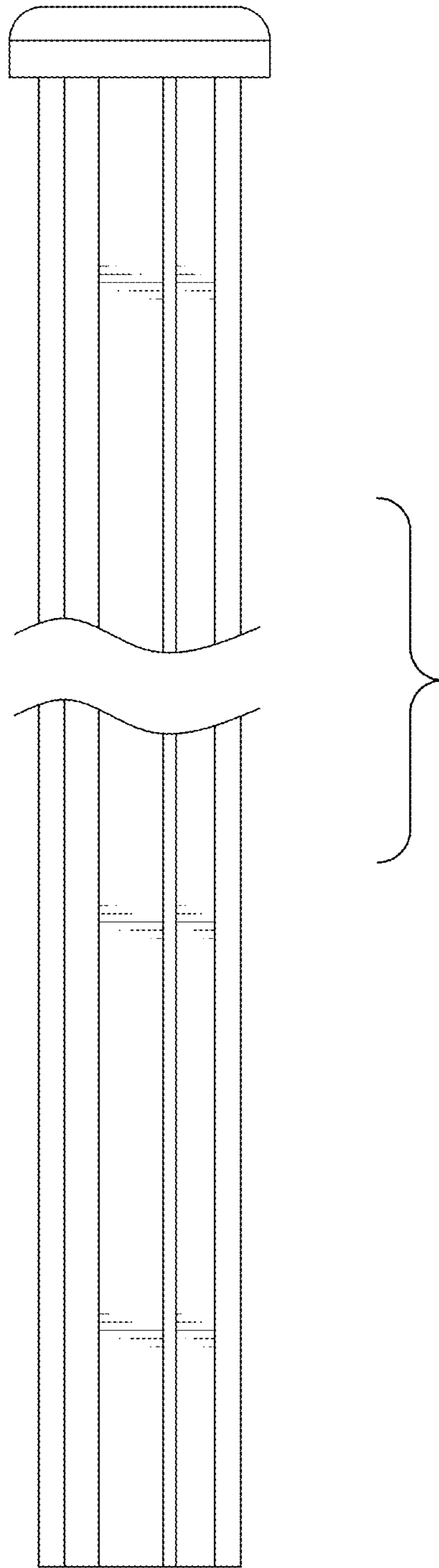


FIG.4

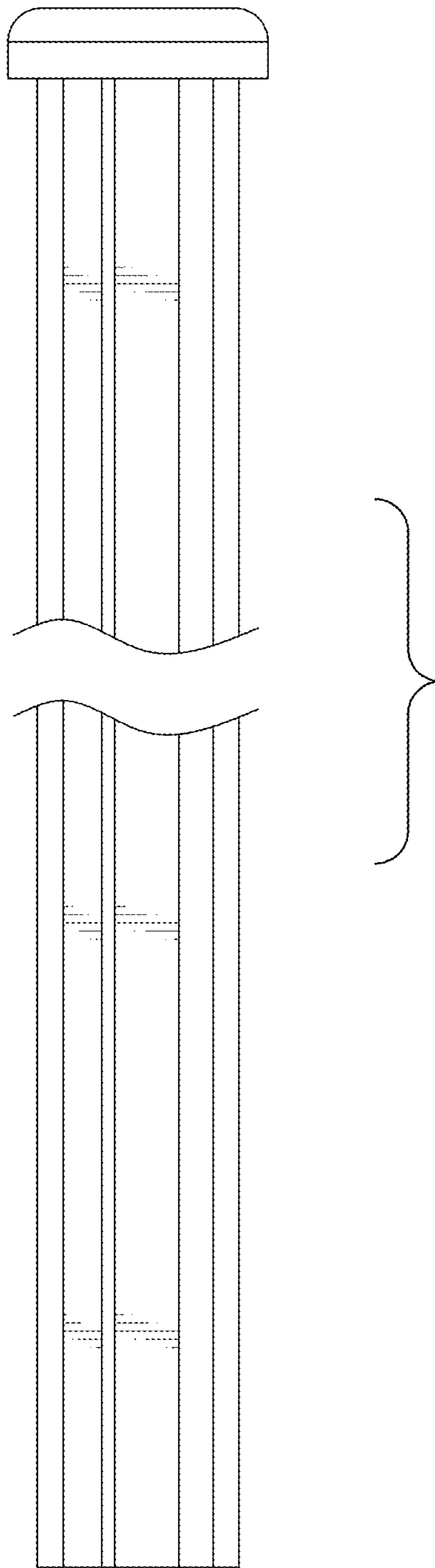


FIG.5

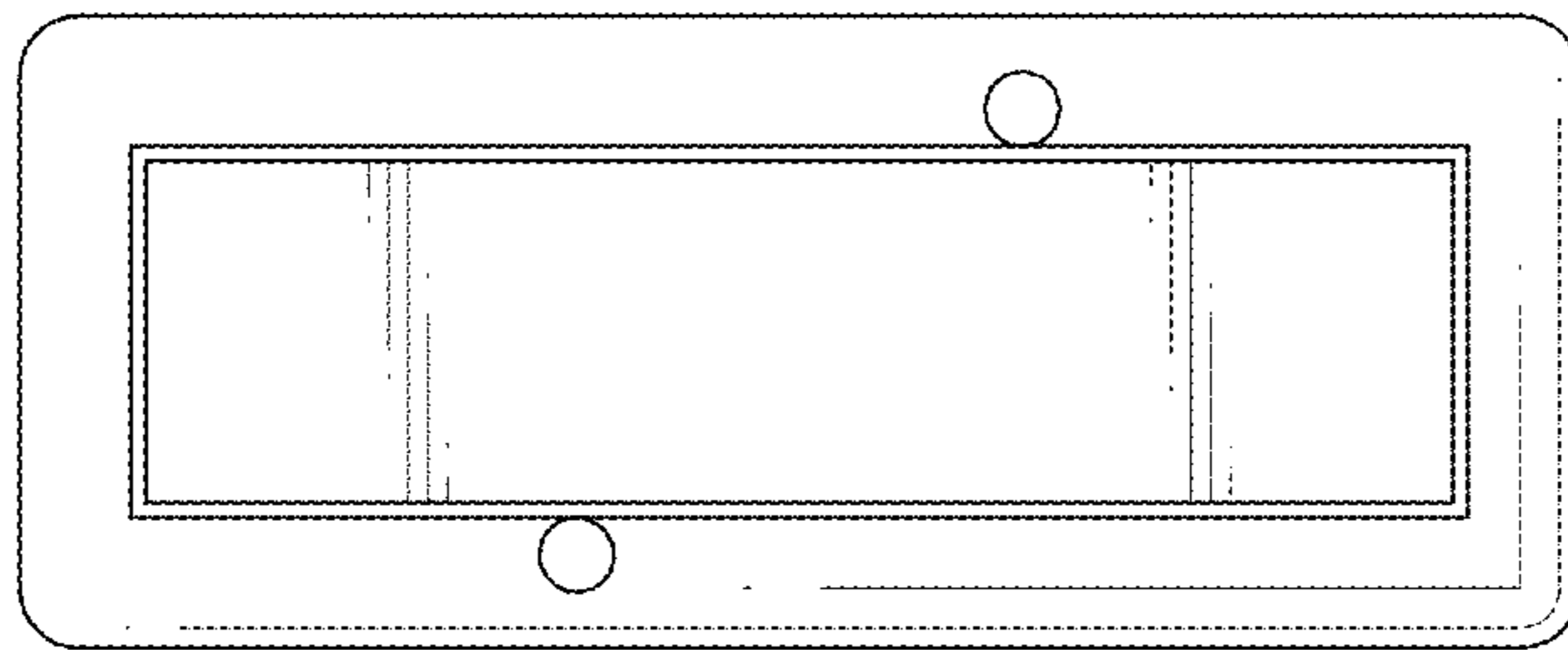


FIG.6

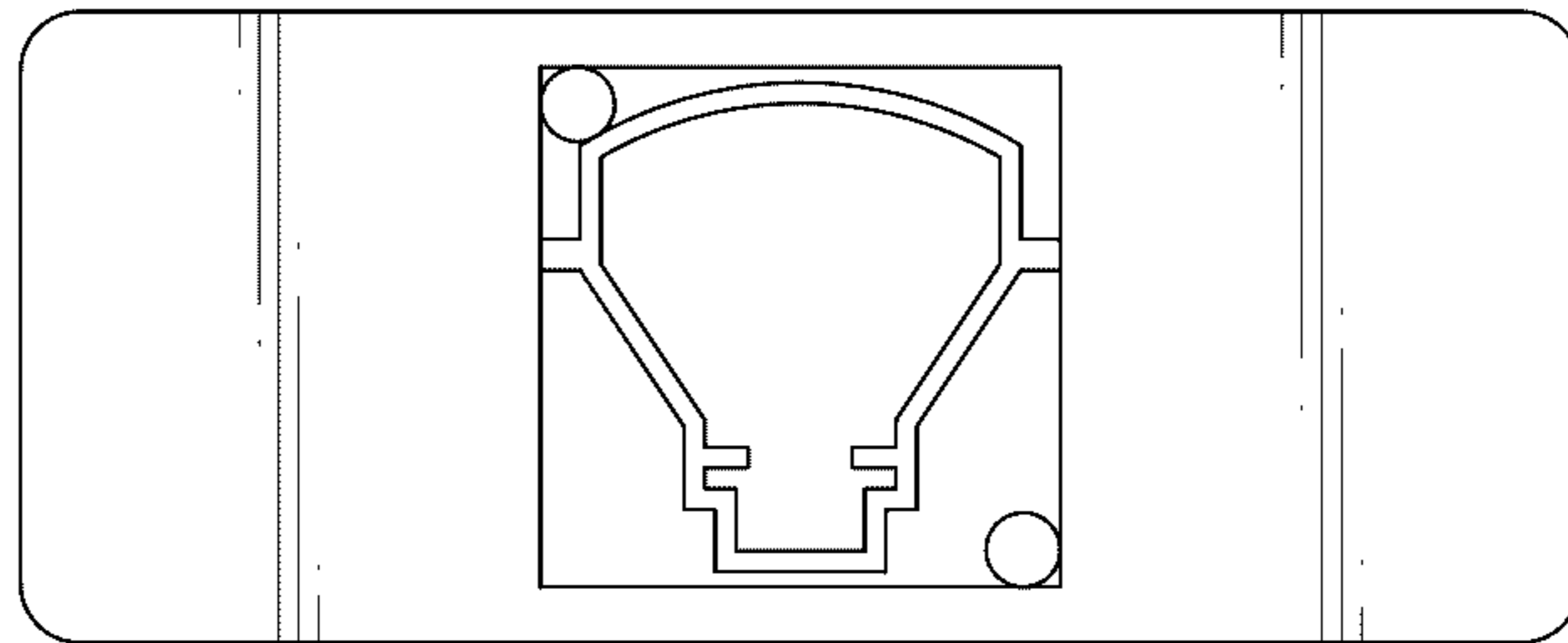


FIG.7

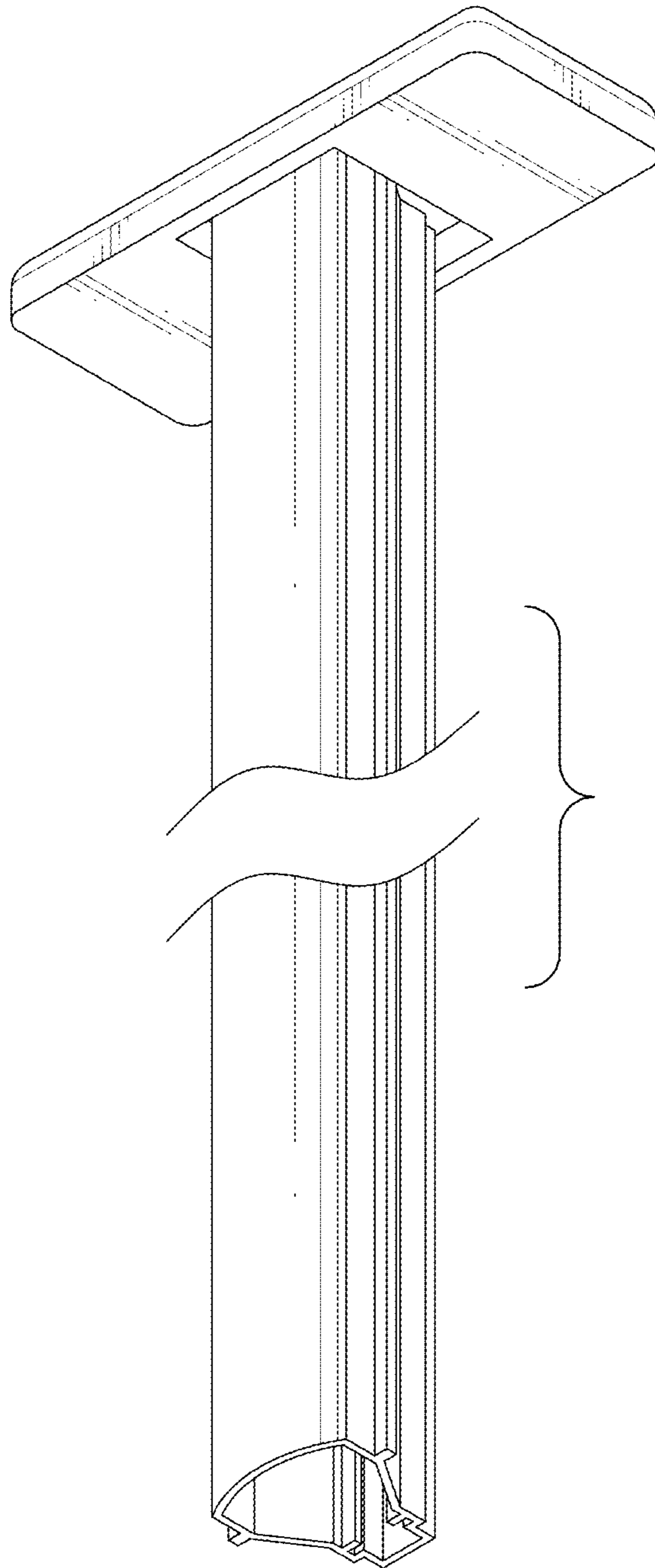


FIG.8