



US00D772463S

(12) **United States Design Patent**
Stern et al.

(10) **Patent No.:** **US D772,463 S**

(45) **Date of Patent:** **** Nov. 22, 2016**

(54) **LIGHT**

(71) Applicant: **LANDSCAPE FORMS, INC.**,
Kalamazoo, MI (US)

(72) Inventors: **Robert A. M. Stern**, New York, NY
(US); **Daniel Lobitz**, New York, NY
(US); **Alex Lamis**, New York, NY
(US); **Gaylin Bowie**, Cambria Heights,
NY (US); **Motomi Morii**, Brooklyn,
NY (US); **Naomi Ocko**, New York, NY
(US); **Brian Revoir**, Vicksburg, MI
(US)

(73) Assignee: **LANDSCAPE FORMS, INC.**,
Kalamazoo, MI (US)

(**) Term: **15 Years**

(21) Appl. No.: **29/557,376**

(22) Filed: **Mar. 8, 2016**

Related U.S. Application Data

(63) Continuation-in-part of application No. 29/528,711,
filed on May 31, 2015.

(51) **LOC (10) Cl.** **26-05**

(52) **U.S. Cl.**
USPC **D26/67**

(58) **Field of Classification Search**
USPC D26/1, 67, 68, 69, 70, 110, 104
CPC F21S 6/004; F21S 8/032; F21S 8/08;
F21S 8/081; F21S 8/083; F21S 8/085;
F21S 8/088; F21S 9/037; F21W 2131/10;
F21W 2131/109
See application file for complete search history.

(56) **References Cited**

U.S. PATENT DOCUMENTS

79,169	A *	6/1868	Wheeler	F21S 8/088 362/367
136,373	A *	3/1873	Hartmann	F21S 8/088 362/367
2,608,641	A *	8/1952	Dennis	F21S 8/088 362/367
D199,266	S *	9/1964	Izzi	D26/67

D199,802	S *	12/1964	Turner et al.	D26/67
D202,808	S *	11/1965	Dalley	D26/67
3,365,570	A *	1/1968	Hansen	F21S 8/088 362/367
4,104,712	A *	8/1978	Hafner	F21S 8/088 362/218
D427,352	S *	6/2000	Miranda	D26/67
D444,584	S *	7/2001	Landefeld	D26/67
D484,631	S *	12/2003	Chen	D26/67
D499,495	S *	12/2004	Walterscheid	D26/1
D597,503	S *	8/2009	Maglica	D13/182
D614,789	S *	4/2010	van Klinken	D26/67
D615,682	S *	5/2010	van Klinken	D26/67
D629,950	S *	12/2010	Izardel	D26/67
D694,932	S *	12/2013	Meyer	D26/67
D713,082	S *	9/2014	Hermansen	D26/67
D740,992	S *	10/2015	Orozco	D26/67
D759,284	S *	6/2016	De Bevilacqua	D26/104
2007/0201228	A1 *	8/2007	Young	F21S 8/088 362/255
2007/0291497	A1 *	12/2007	Haddad	F21S 8/086 362/427
2008/0232094	A1 *	9/2008	Ramsdell	F21S 8/088 362/153
2010/0254134	A1 *	10/2010	McCanless	F21S 8/088 362/235
2015/0103518	A1 *	4/2015	Zhu	F21S 9/037 362/183
2015/0116998	A1 *	4/2015	Feit	F21V 29/70 362/235

* cited by examiner

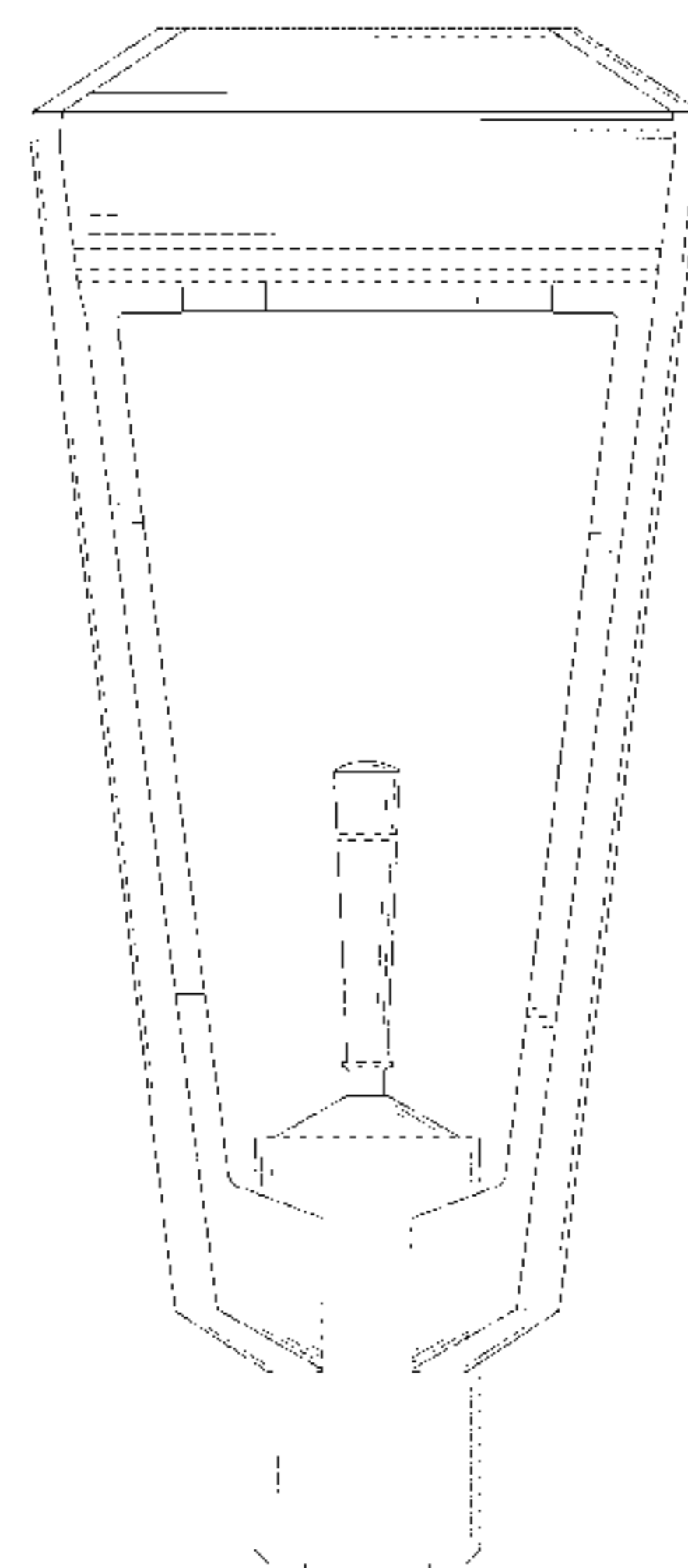
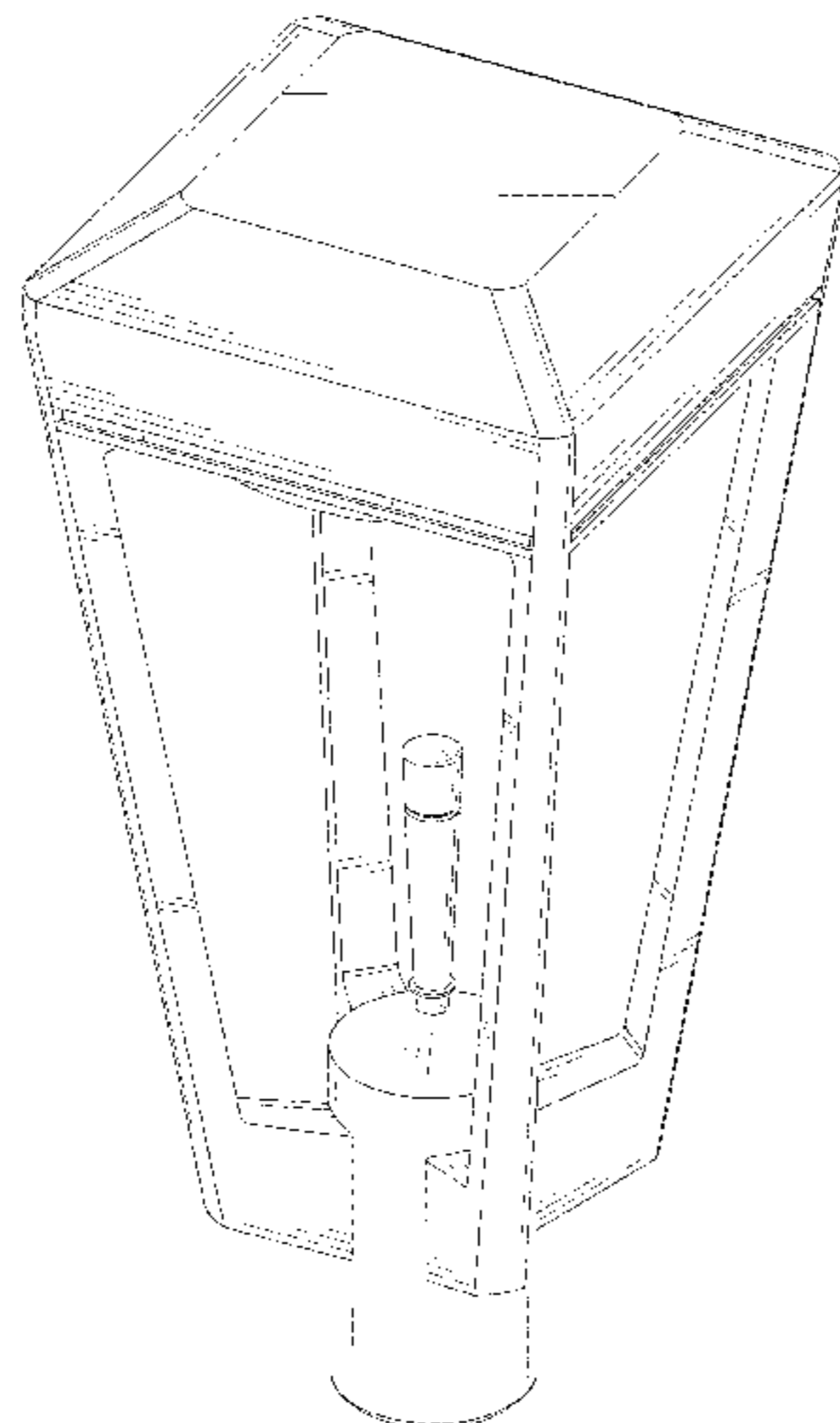
Primary Examiner — Clare E Heflin
(74) *Attorney, Agent, or Firm* — Heslin Rothenberg
Farley & Mesiti P.C.

(57) **CLAIM**
The ornamental design for a light, as shown and described.

DESCRIPTION

FIG. 1 is a perspective view of the light of the present invention;
FIG. 2 is a front elevation view thereof, the right side, rear, and left side elevation views being identical thereto;
FIG. 3 is a top plan view thereof; and,
FIG. 4 is a bottom plan view thereof.

1 Claim, 4 Drawing Sheets



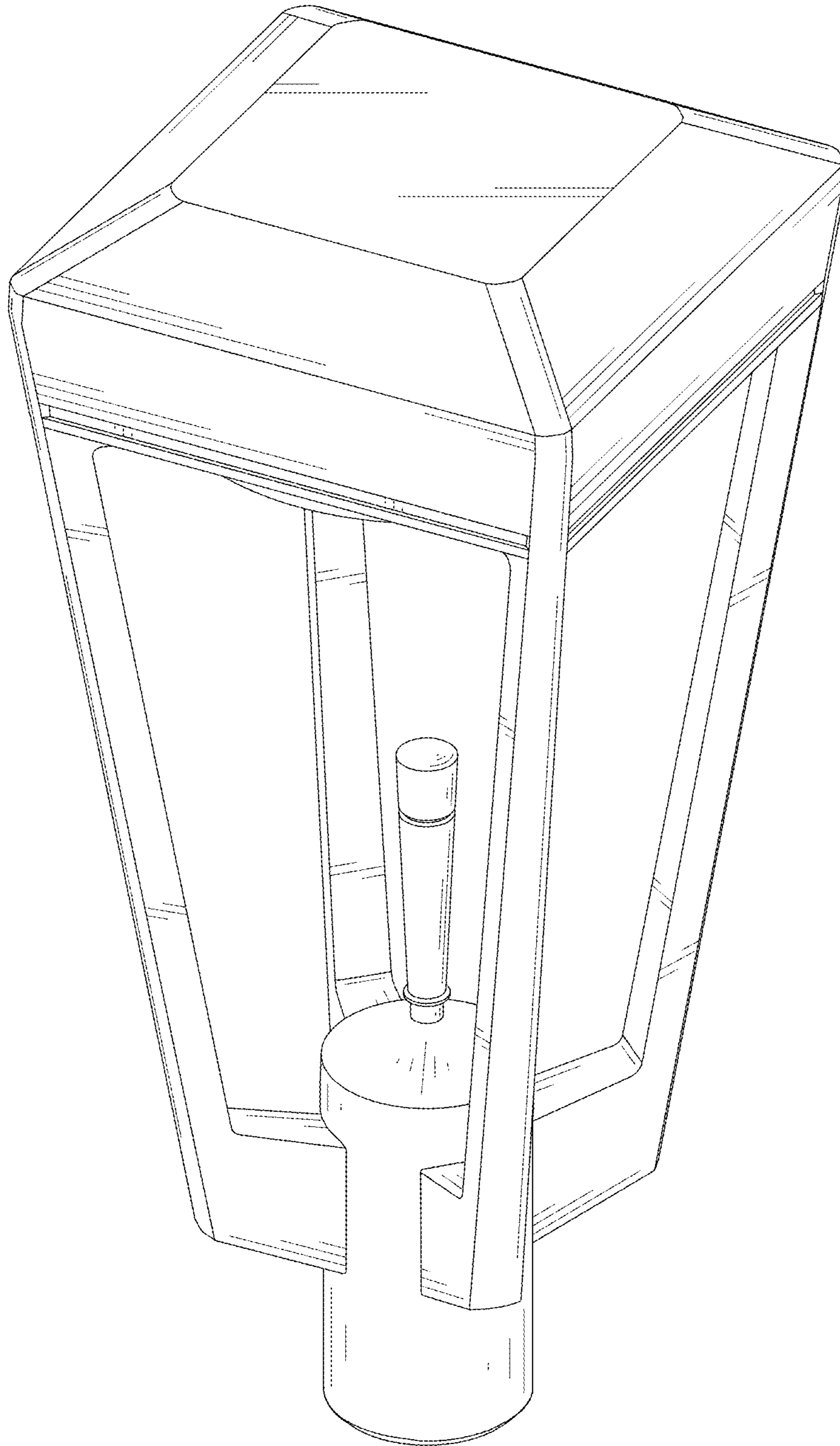


FIG. 1

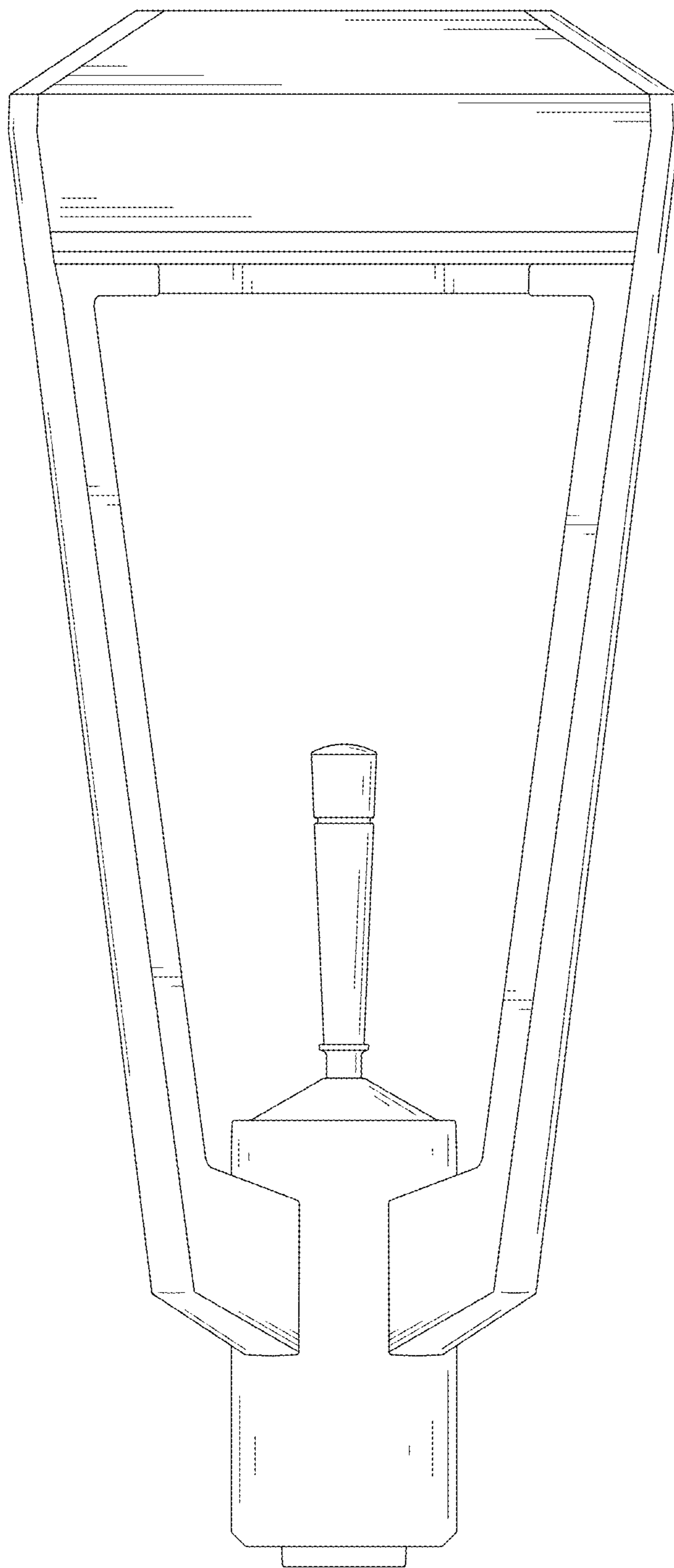


FIG. 2

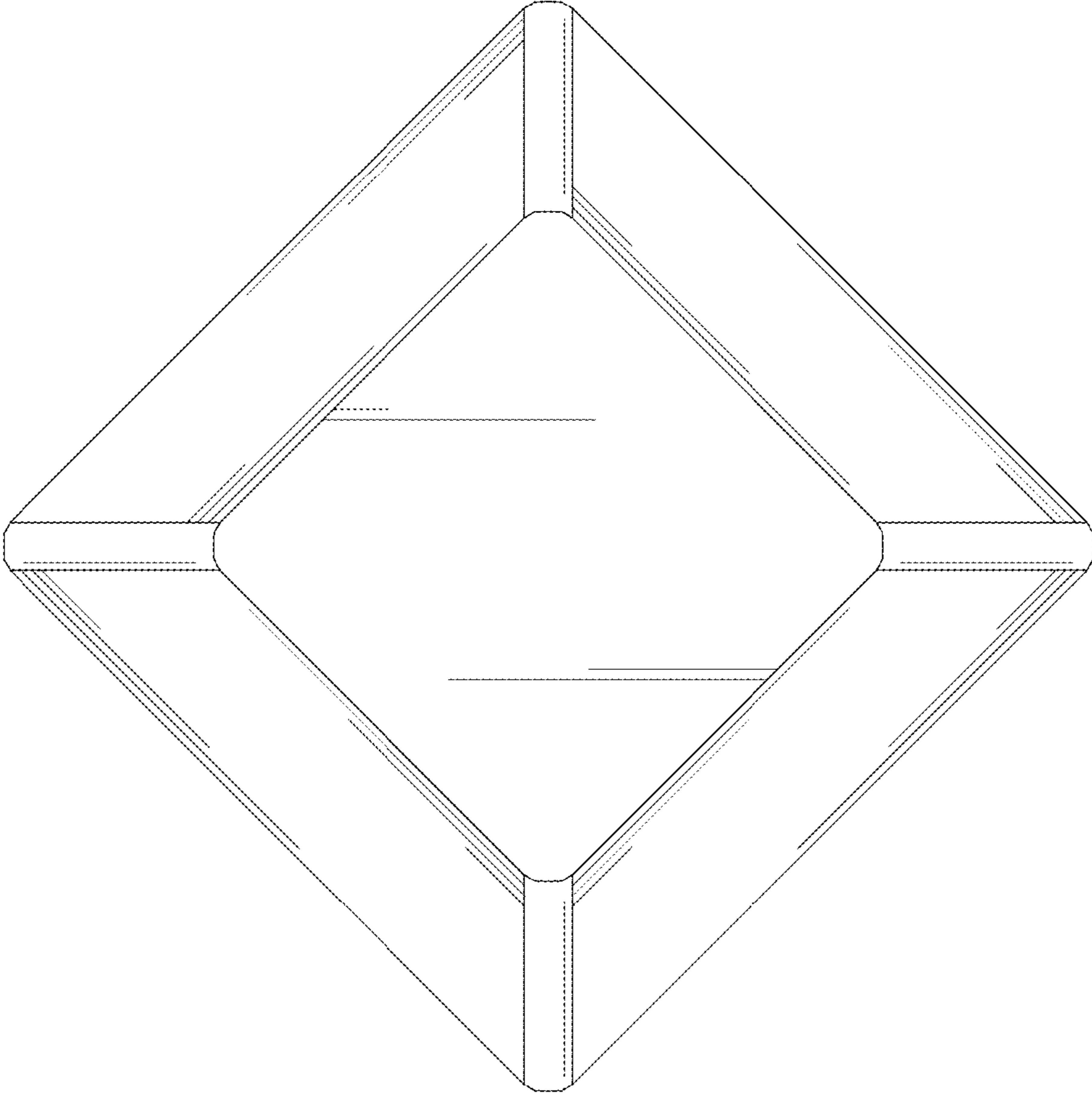


FIG. 3

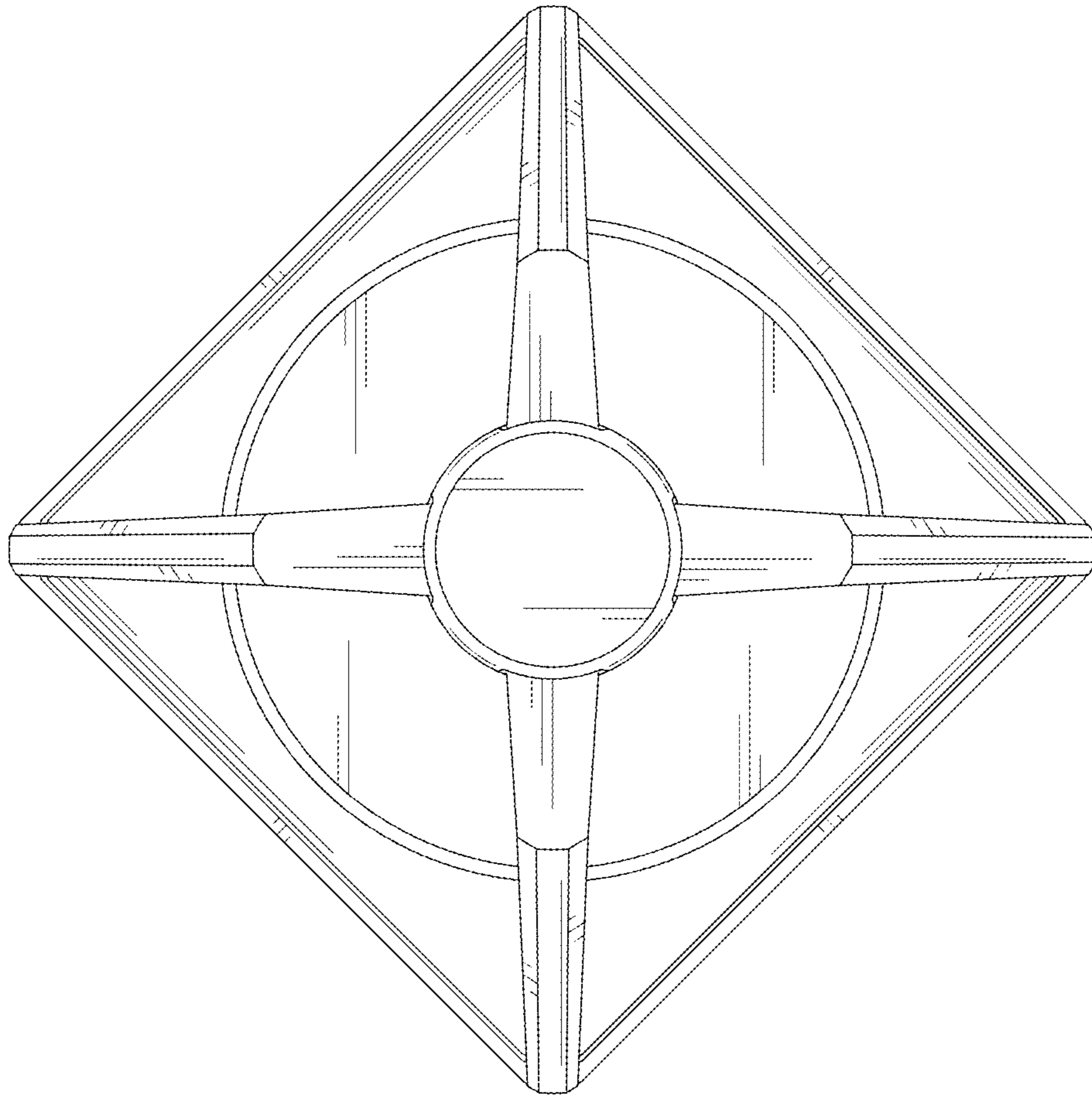


FIG. 4