



US00D772462S

(12) **United States Design Patent**
Lucchi

(10) **Patent No.:** **US D772,462 S**

(45) **Date of Patent:** **** Nov. 22, 2016**

(54) **ADJUSTABLE LAMP**

(71) Applicant: **Hermes Sellier (Societe Par Actions Simplifree)**, Paris (FR)

(72) Inventor: **Michele De Lucchi**, Milan (IT)

(73) Assignee: **Hermes Sellier (Societe Par Actions Simplifree)**, Paris (FR)

(**) Term: **14 Years**

(21) Appl. No.: **29/504,727**

(22) Filed: **Oct. 8, 2014**

(30) **Foreign Application Priority Data**

Apr. 9, 2014 (WO) DM/083351

(51) **LOC (10) Cl.** **26-03**

(52) **U.S. Cl.**
USPC **D26/65**

(58) **Field of Classification Search**
USPC D26/24, 61, 63, 65, 107, 108
CPC F21V 21/14; F21V 15/01; F21V 14/02;
F21V 21/30; F21V 21/00; F21V 14/00;
F21V 1/00; F21V 21/116; F21V 21/34;
F21S 8/00; F21S 8/003; F21S 8/043; F21S
6/00; F21S 6/002; F21S 8/08; F21Y
2105/001; F21W 2131/30
See application file for complete search history.

(56) **References Cited**

U.S. PATENT DOCUMENTS

D476,440 S * 6/2003 Lee D26/65
D496,118 S 9/2004 Donegani et al.

D506,564 S 6/2005 Tung
D570,514 S 6/2008 Iai et al.
D574,990 S 8/2008 Tsai
D603,993 S * 11/2009 Sabernig D26/65
D606,694 S 12/2009 Sabernig
D625,873 S 10/2010 Prazak
D675,366 S * 1/2013 Alessandro D26/107
D689,645 S * 9/2013 Stathis D26/65
D709,235 S * 7/2014 Chu D26/65
D744,683 S * 12/2015 Fukasawa D26/63

OTHER PUBLICATIONS

US Office Action on U.S. Appl. No. 29/504,718 DTD Apr. 13, 2016.
Notice of Allowance in U.S. Appl. No. 29/504,718 DTD Jul. 20, 2016.

* cited by examiner

Primary Examiner — Brian N Vinson

(74) *Attorney, Agent, or Firm* — Foley & Lardner LLP

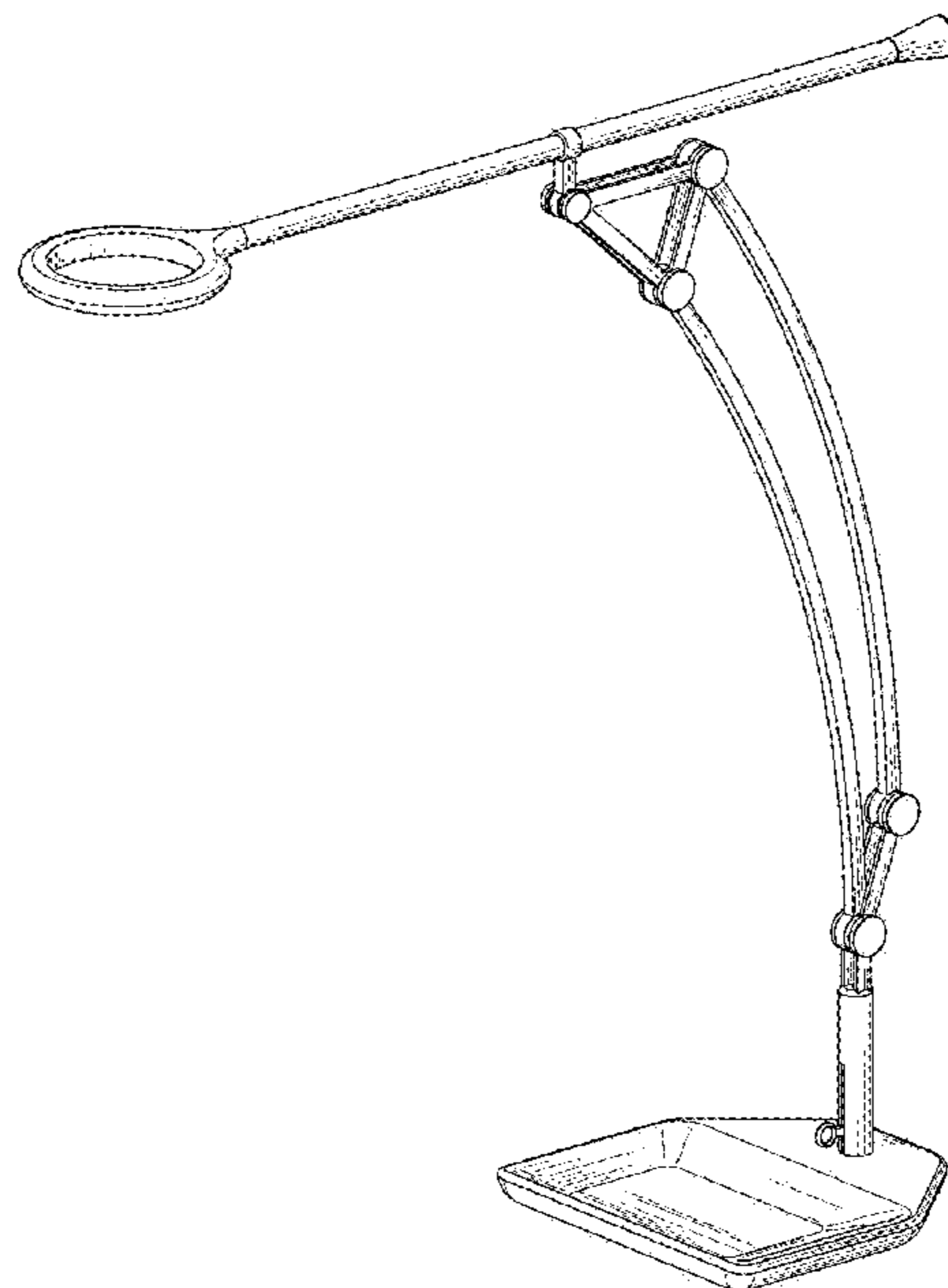
(57) **CLAIM**

The ornamental design for an adjustable lamp, as shown and described.

DESCRIPTION

FIG. 1 is a front elevational view of an adjustable lamp showing my new design;
FIG. 2 is a rear elevational view thereof;
FIG. 3 is a right side elevational view thereof;
FIG. 4 is a left side elevational view thereof;
FIG. 5 is a top plan view thereof;
FIG. 6 is a bottom plan view thereof; and,
FIG. 7 is a front perspective view thereof.

1 Claim, 7 Drawing Sheets



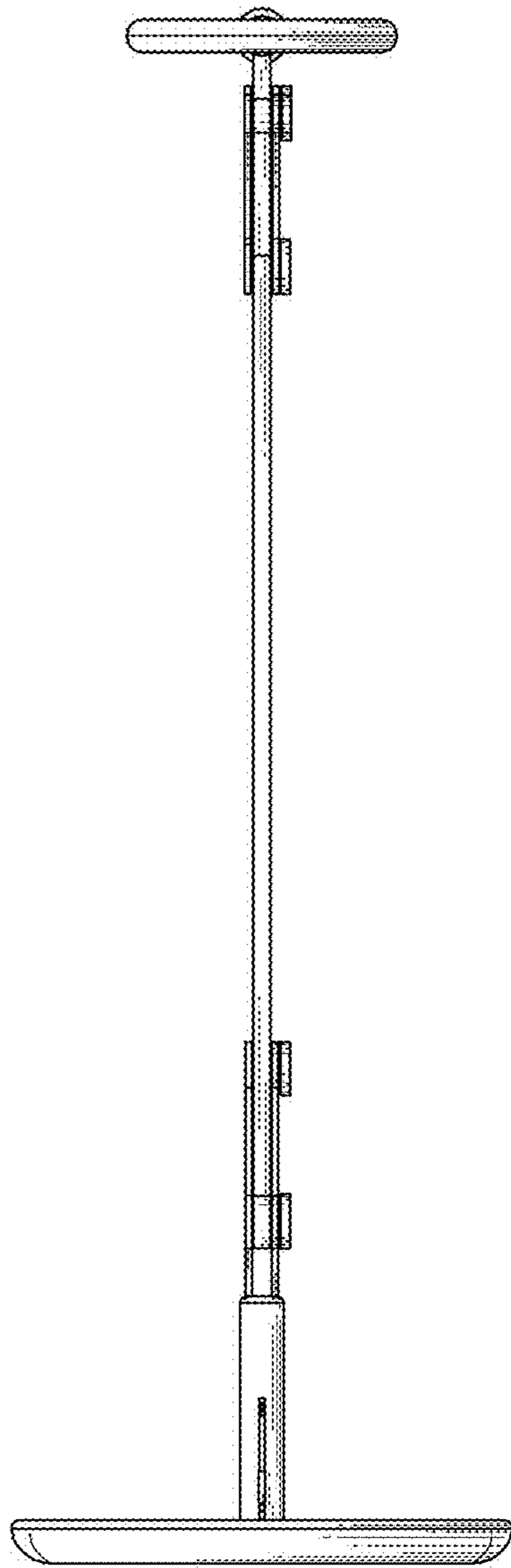


Fig. 1

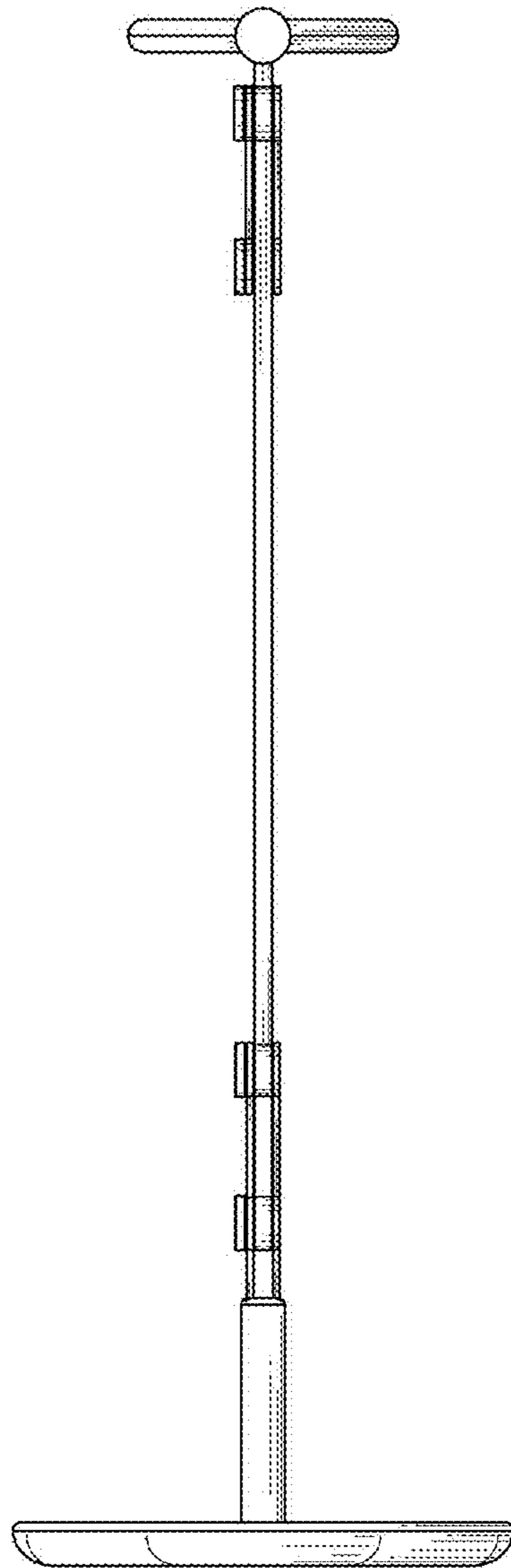


Fig. 2

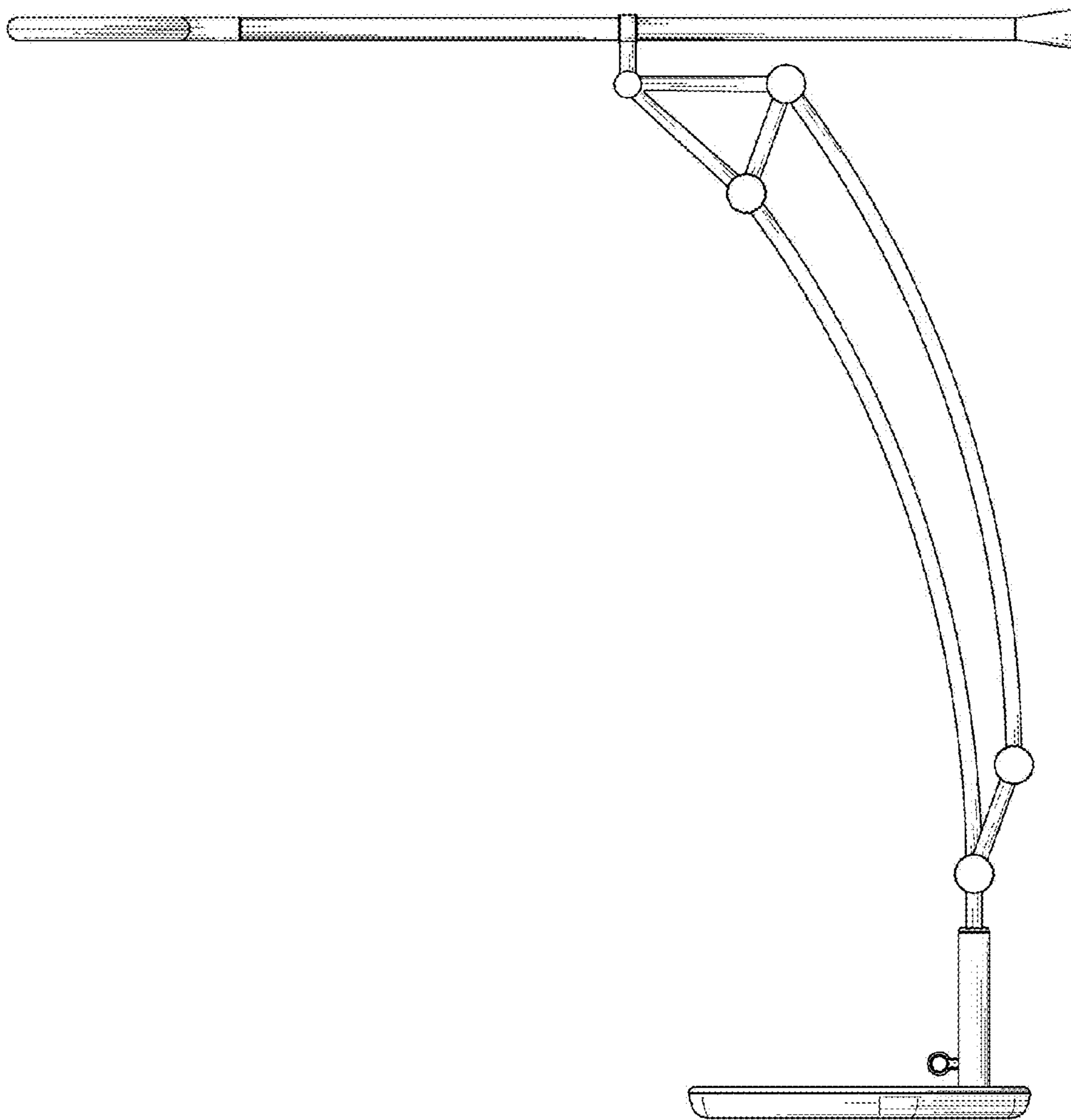


Fig. 3

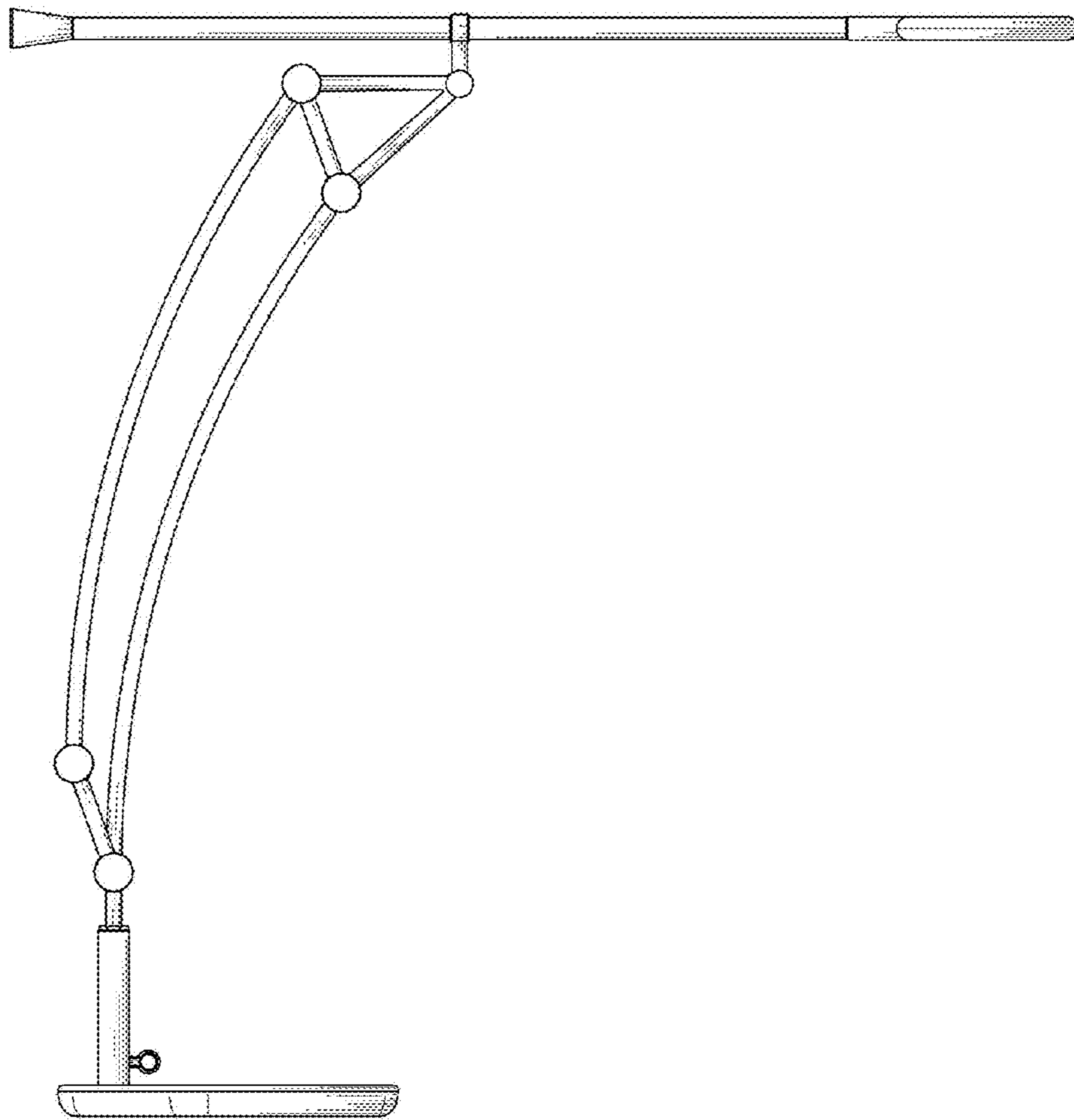


Fig. 4

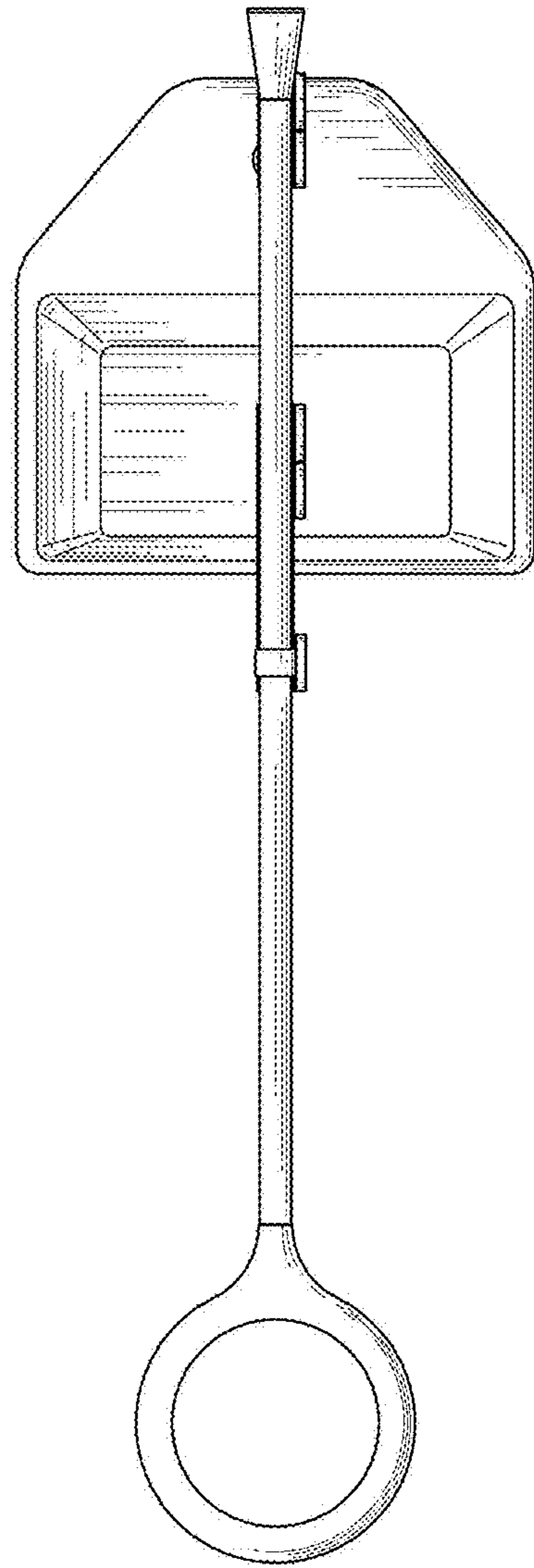


Fig. 5

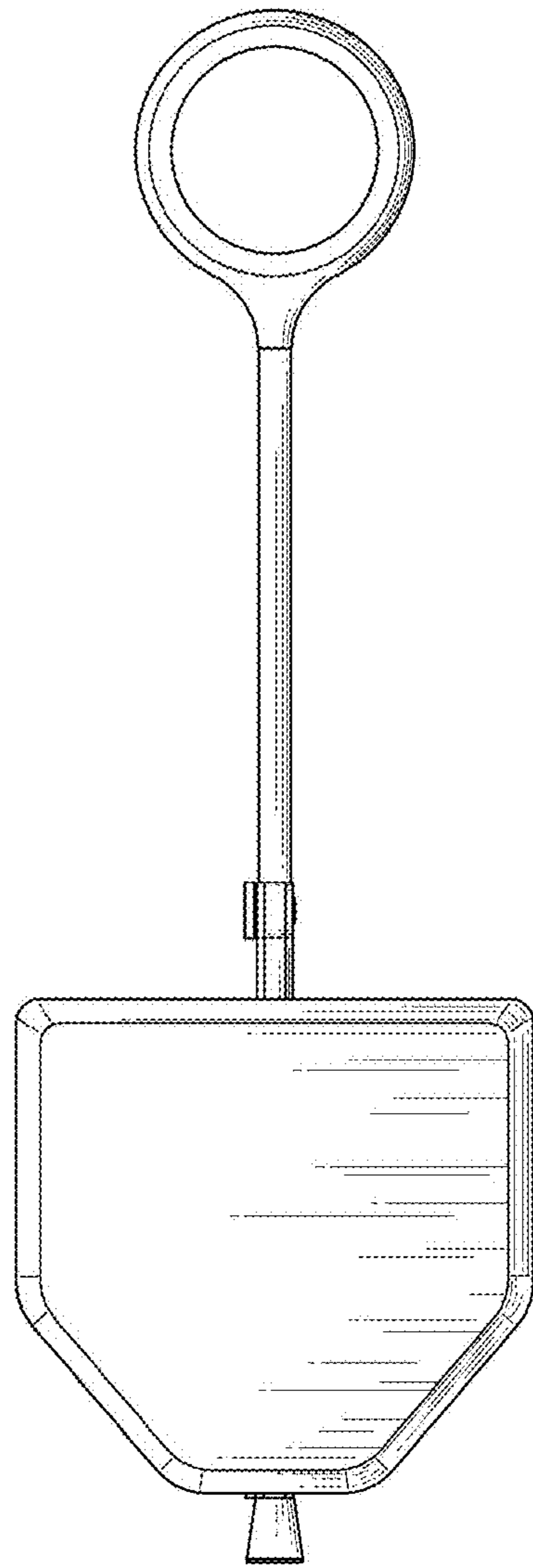


Fig. 6

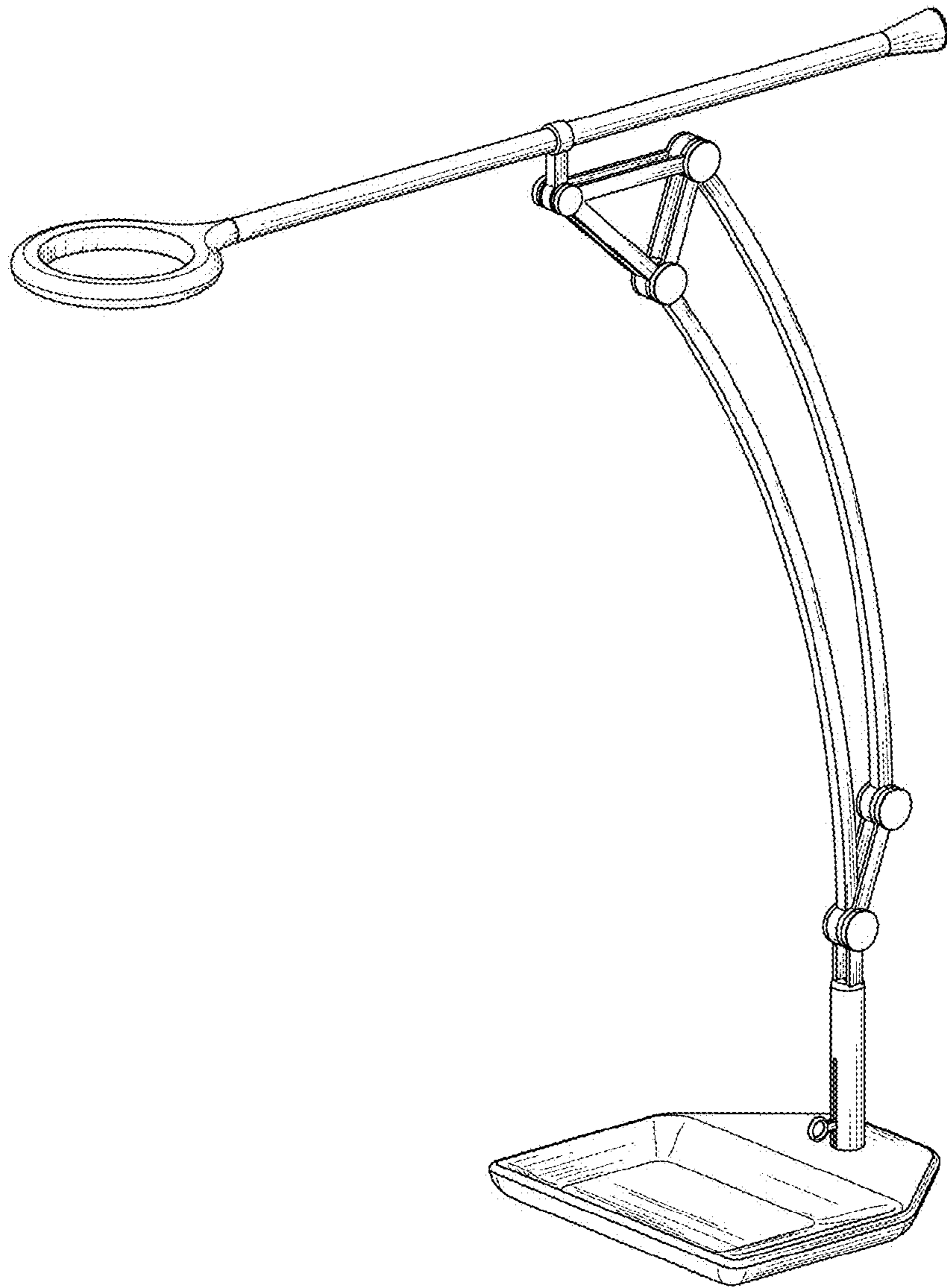


Fig. 7