

US00D772461S

(12) **United States Design Patent** (10) **Patent No.:** **US D772,461 S**
Lucchi (45) **Date of Patent:** **** Nov. 22, 2016**

(54) **ADJUSTABLE LAMP**
(71) Applicant: **Hermes Sellier (Societe Par Actions Simplifree)**, Paris (FR)
(72) Inventor: **Michele De Lucchi**, Milan (IT)
(73) Assignee: **Hermes Sellier (Societe Par Actions Simplifree)**, Paris (FR)

D570,514 S * 6/2008 Iai D26/65
D574,990 S * 8/2008 Tsai D26/107
D603,993 S 11/2009 Sabernig
D606,694 S * 12/2009 Sabernig D26/65
D625,873 S * 10/2010 Prazak D26/65
D675,366 S 1/2013 Alessandro et al.
D689,645 S 9/2013 Stathis et al.
D709,235 S 7/2014 Chu
D744,683 S 12/2015 Fukasawa

(**) Term: **14 Years**
(21) Appl. No.: **29/504,718**
(22) Filed: **Oct. 8, 2014**

(30) **Foreign Application Priority Data**
Apr. 9, 2014 (WO) DM/083351
(51) **LOC (10) Cl.** **26-03**
(52) **U.S. Cl.**
USPC **D26/65**
(58) **Field of Classification Search**
USPC D26/24, 61, 63, 65, 107, 108
CPC F21V 21/14; F21V 15/01; F21V 14/02;
F21V 21/30; F21V 21/00; F21V 14/00;
F21V 1/00; F21V 21/116; F21V 21/34;
F21S 8/00; F21S 8/003; F21S 8/043; F21S
6/00; F21S 6/002; F21S 8/08; F21Y
2105/001; F21W 2131/30
See application file for complete search history.

(56) **References Cited**
U.S. PATENT DOCUMENTS
D476,440 S 6/2003 Lee et al.
D496,118 S * 9/2004 Donegani D26/65
D506,564 S * 6/2005 Tung D26/107

OTHER PUBLICATIONS

US Office Action on U.S. Appl. No. 29/504,727 Dtd Apr. 18, 2016.
Notice of Allowance in U.S. Appl. No. 29/504,727 DTD Jul. 20, 2016.

* cited by examiner

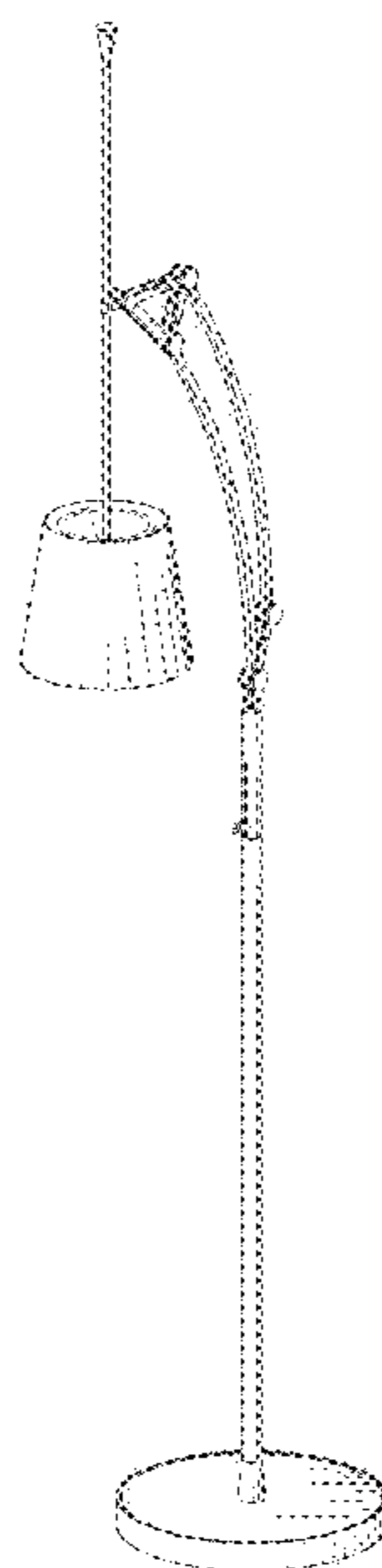
Primary Examiner — Brian N Vinson
(74) *Attorney, Agent, or Firm* — Foley & Lardner LLP

(57) **CLAIM**
The ornamental design for an adjustable lamp, as shown and described.

DESCRIPTION

FIG. 1 is a front elevational view of an adjustable lamp showing my new design;
FIG. 2 is a rear elevational view thereof;
FIG. 3 is a right side elevational view thereof;
FIG. 4 is a left side elevational view thereof;
FIG. 5 is a top plan view thereof;
FIG. 6 is a bottom plan view thereof; and,
FIG. 7 is a front perspective view thereof.
The claimed design is shown in solid lines in the figures. The broken lines shown in FIGS. 5-7 are for illustrative purposes only and form no part of the claimed design.

1 Claim, 7 Drawing Sheets



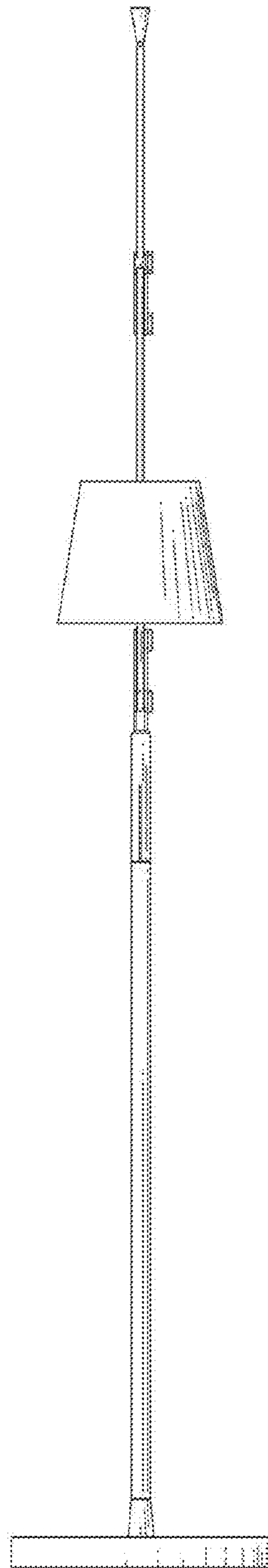
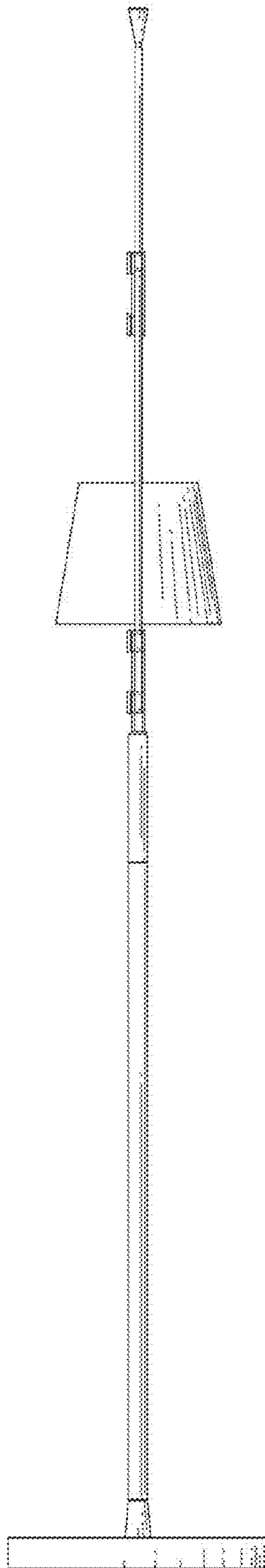


FIG. 1

FIG. 2



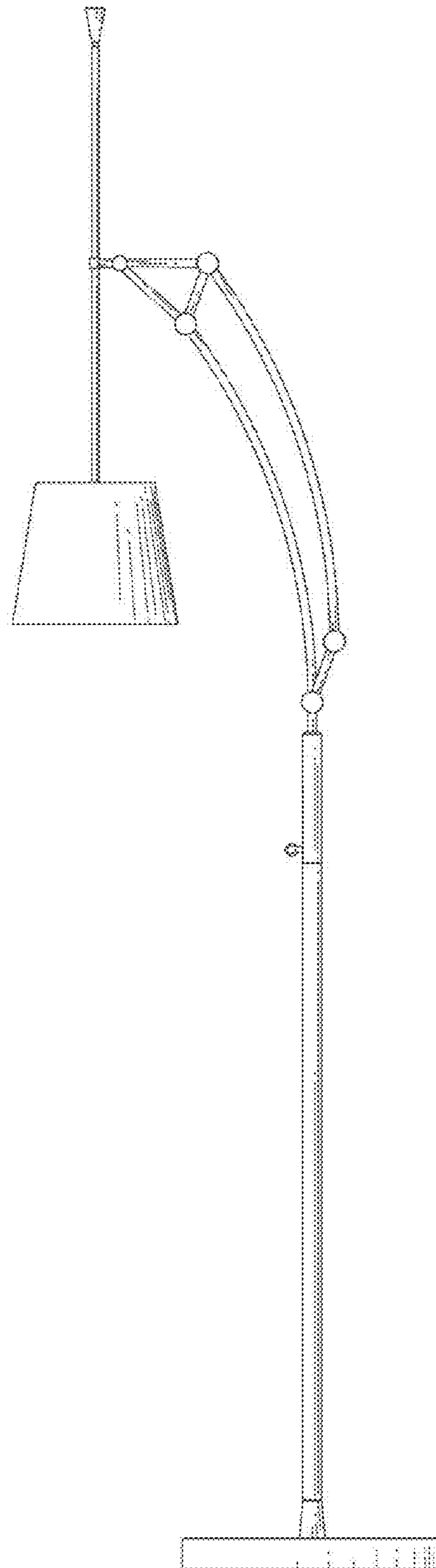


FIG. 3

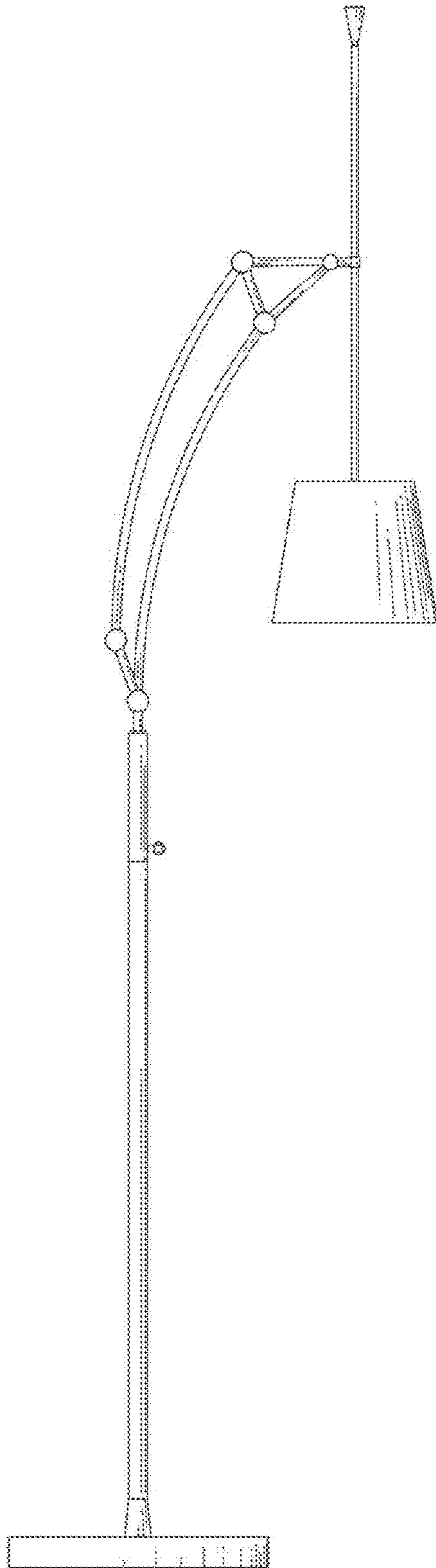


FIG. 4

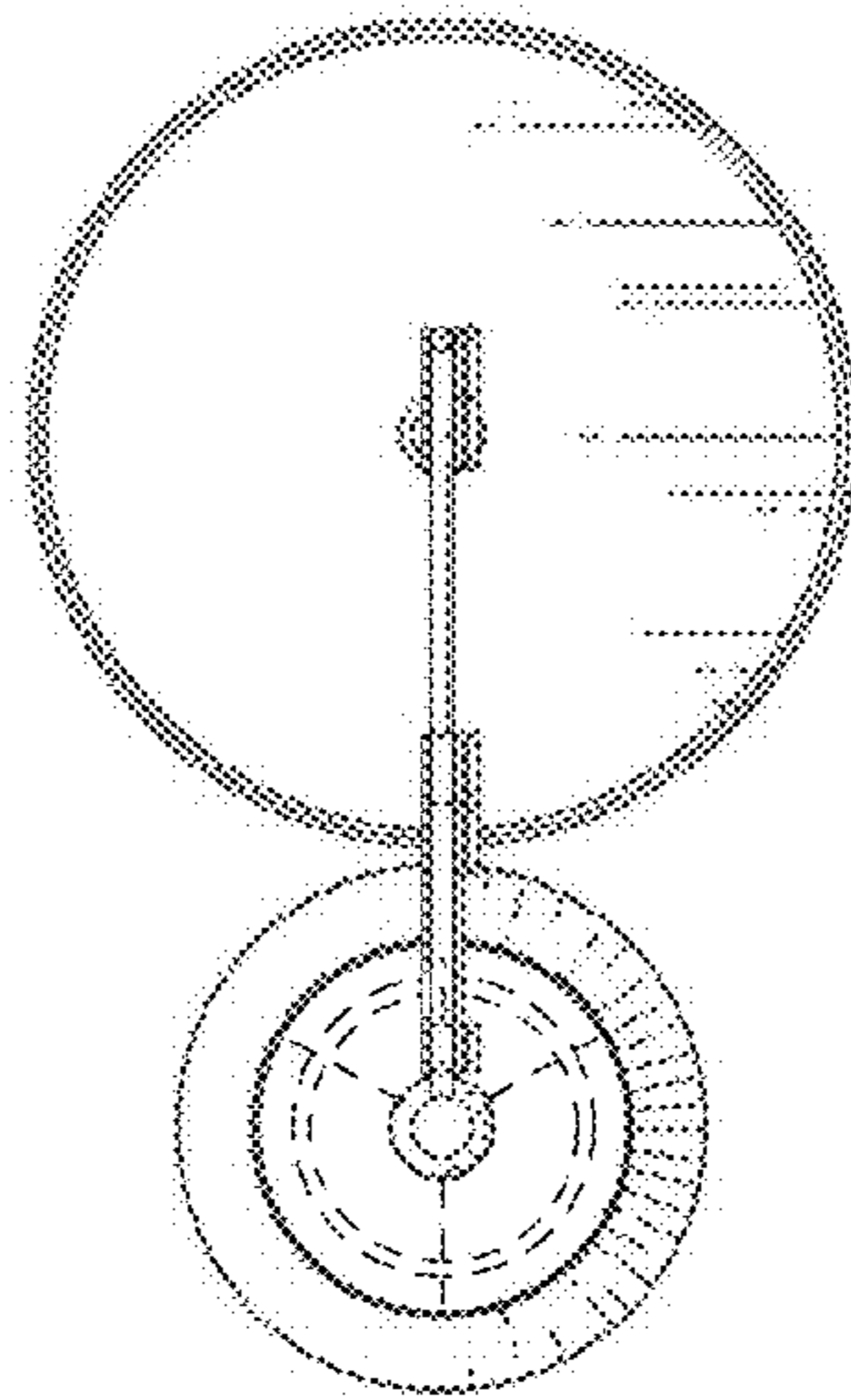


FIG. 5

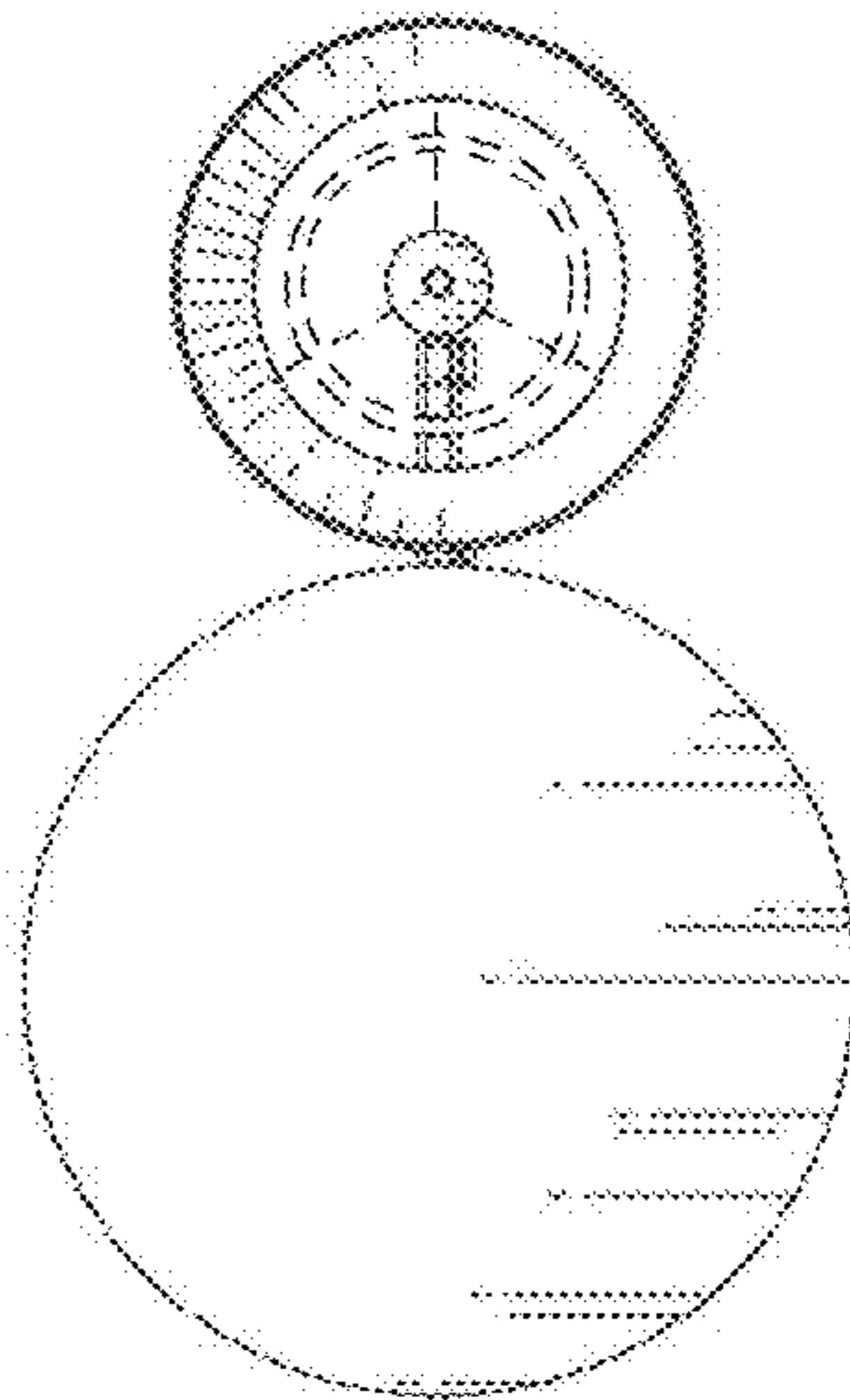


FIG. 6

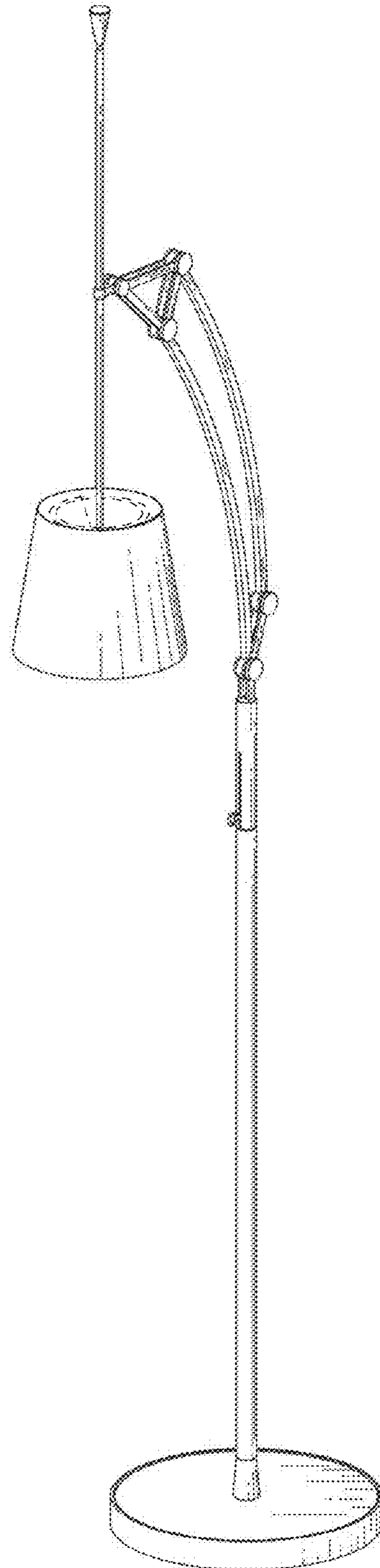


FIG. 7