

US00D772460S

(12) **United States Design Patent** (10) **Patent No.:** **US D772,460 S**  
**Saboo** (45) **Date of Patent:** **\*\* Nov. 22, 2016**

(54) **WORK LIGHT**

D699,877 S \* 2/2014 Song ..... D26/63  
D759,281 S \* 6/2016 Lee ..... D26/63

(71) Applicant: **Vinay Saboo**, Sherman Oaks, CA (US)

\* cited by examiner

(72) Inventor: **Vinay Saboo**, Sherman Oaks, CA (US)

*Primary Examiner* — Brian N Vinson

(73) Assignee: **WEST COAST IMPORTS, INC.**,  
Commerce, CA (US)

(74) *Attorney, Agent, or Firm* — Law Office of David Hong

(\*\*) Term: **15 Years**

(57) **CLAIM**

(21) Appl. No.: **29/552,583**

The ornamental design for a work light, as shown and described.

(22) Filed: **Jan. 22, 2016**

(51) **LOC (10) Cl.** ..... **26-03**

**DESCRIPTION**

(52) **U.S. Cl.**

USPC ..... **D26/63**

(58) **Field of Classification Search**

USPC ..... D26/1, 24, 61, 63, 65, 85, 92  
CPC ..... F21V 21/14; F21V 15/01; F21V 14/02;  
F21V 21/30; F21V 21/00; F21V 14/00;  
F21S 8/00; F21S 8/003; F21S 8/043; F21Y  
2105/001

See application file for complete search history.

FIG. 1 is a front perspective view of my new design for a work light;

FIG. 2 is a rear perspective view thereof;

FIG. 3 is a first side elevational view thereof;

FIG. 4 is a second side elevational view thereof;

FIG. 5 is a third side elevational view thereof; the fourth side elevational view is a mirror image of the third side elevational view thereof.

FIG. 6 is a top view thereof; and,

FIG. 7 is a bottom view thereof.

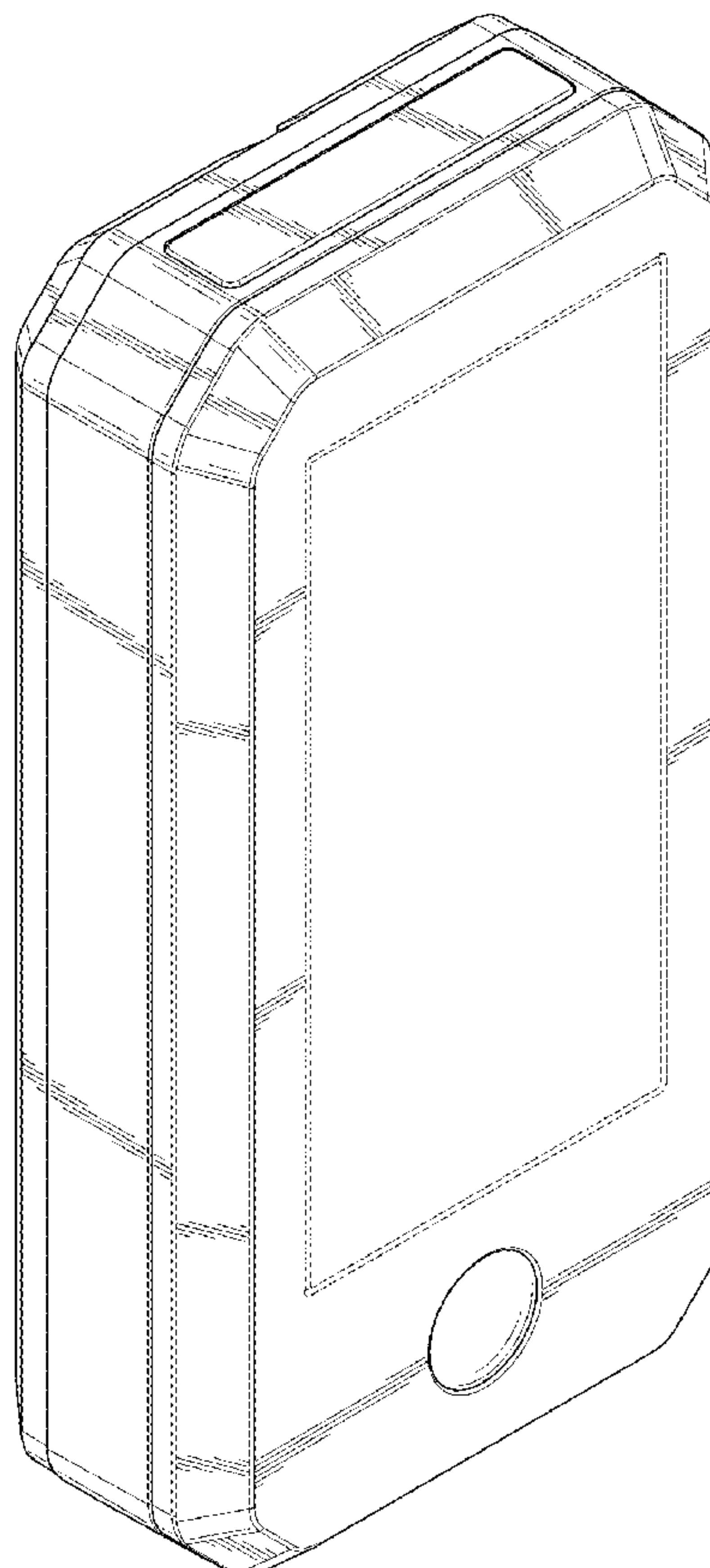
The broken lines represent portions of the work light which form no part of the claimed design.

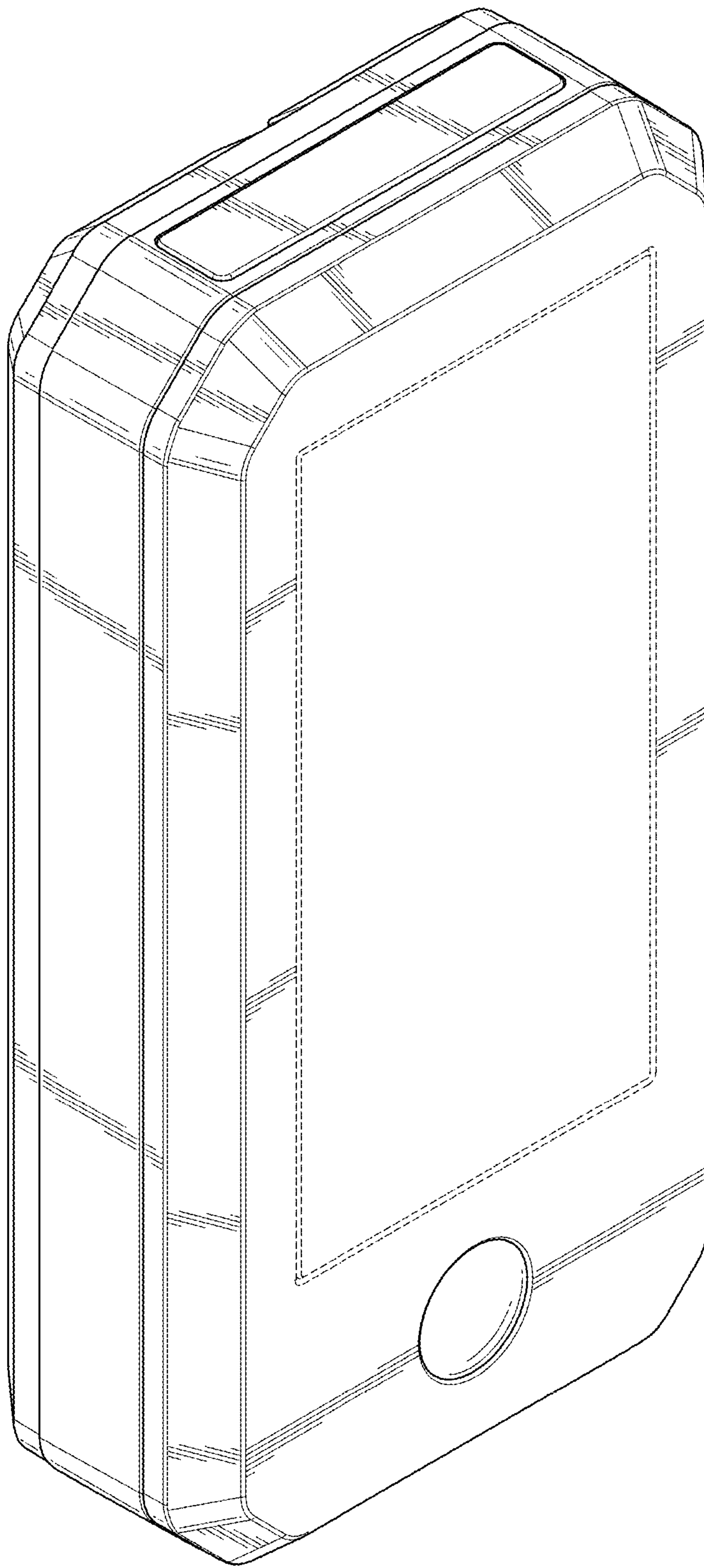
(56) **References Cited**

**U.S. PATENT DOCUMENTS**

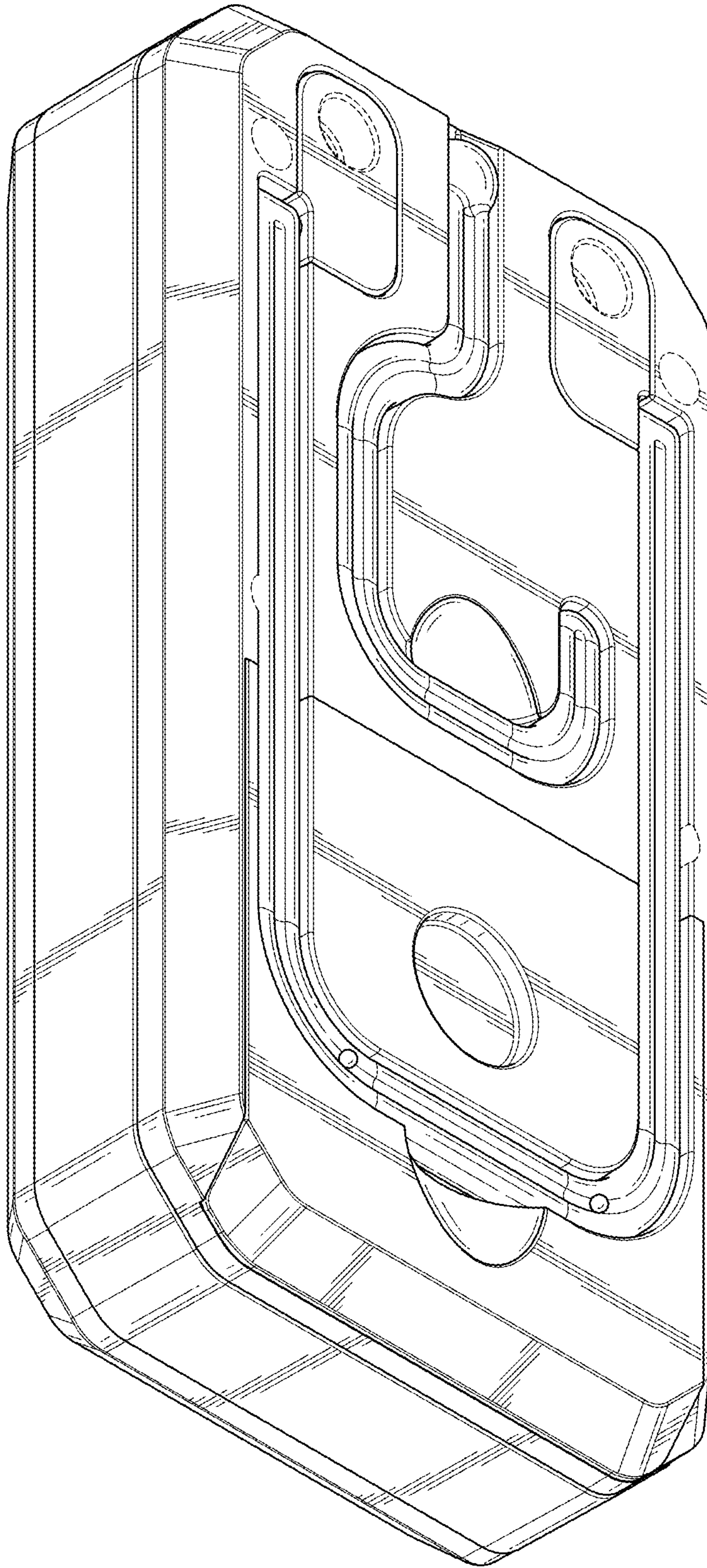
D291,360 S \* 8/1987 De Vos ..... D26/63  
D666,345 S \* 8/2012 Wang ..... D26/63

**1 Claim, 6 Drawing Sheets**



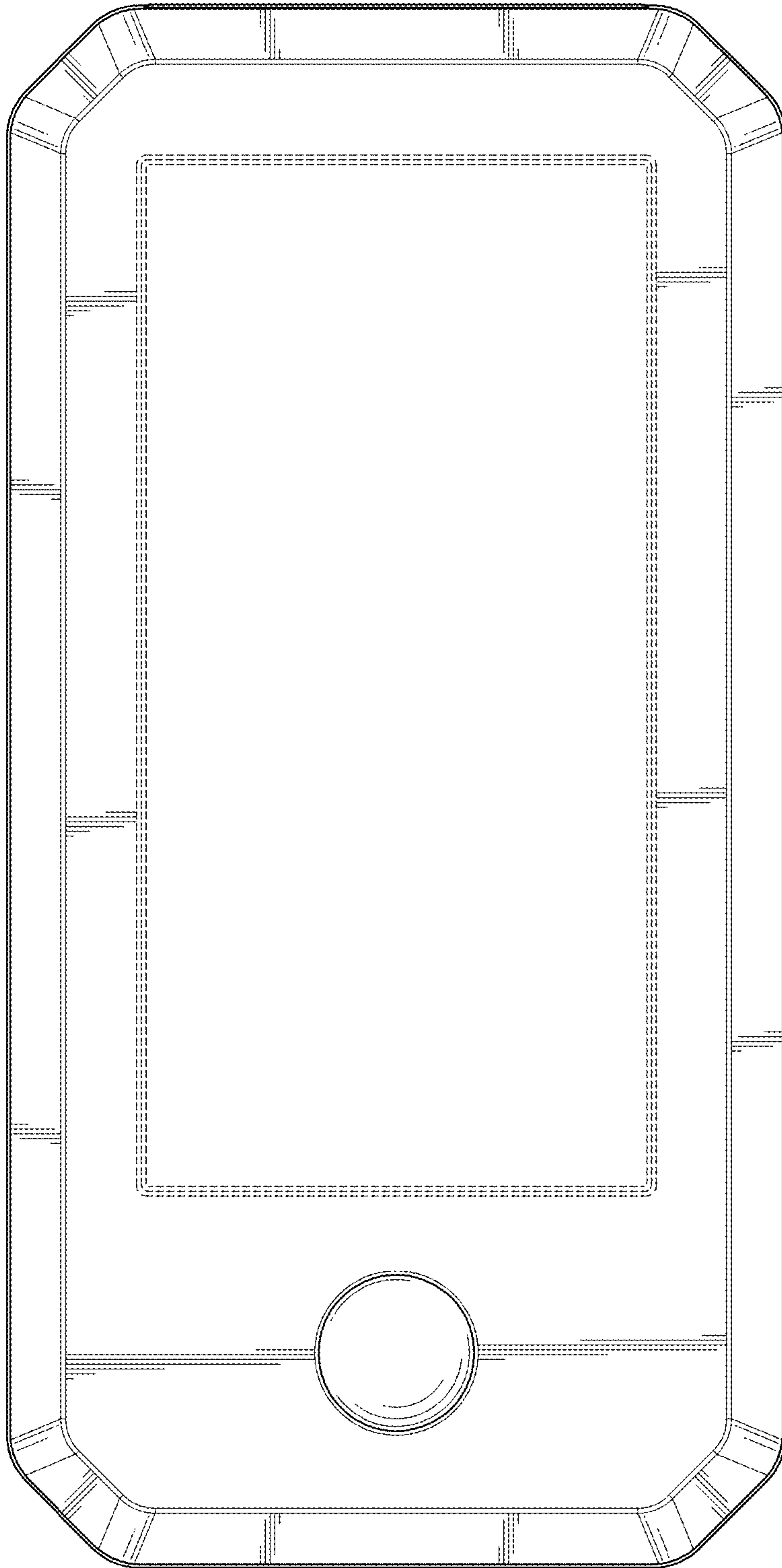


*FIG. 1*

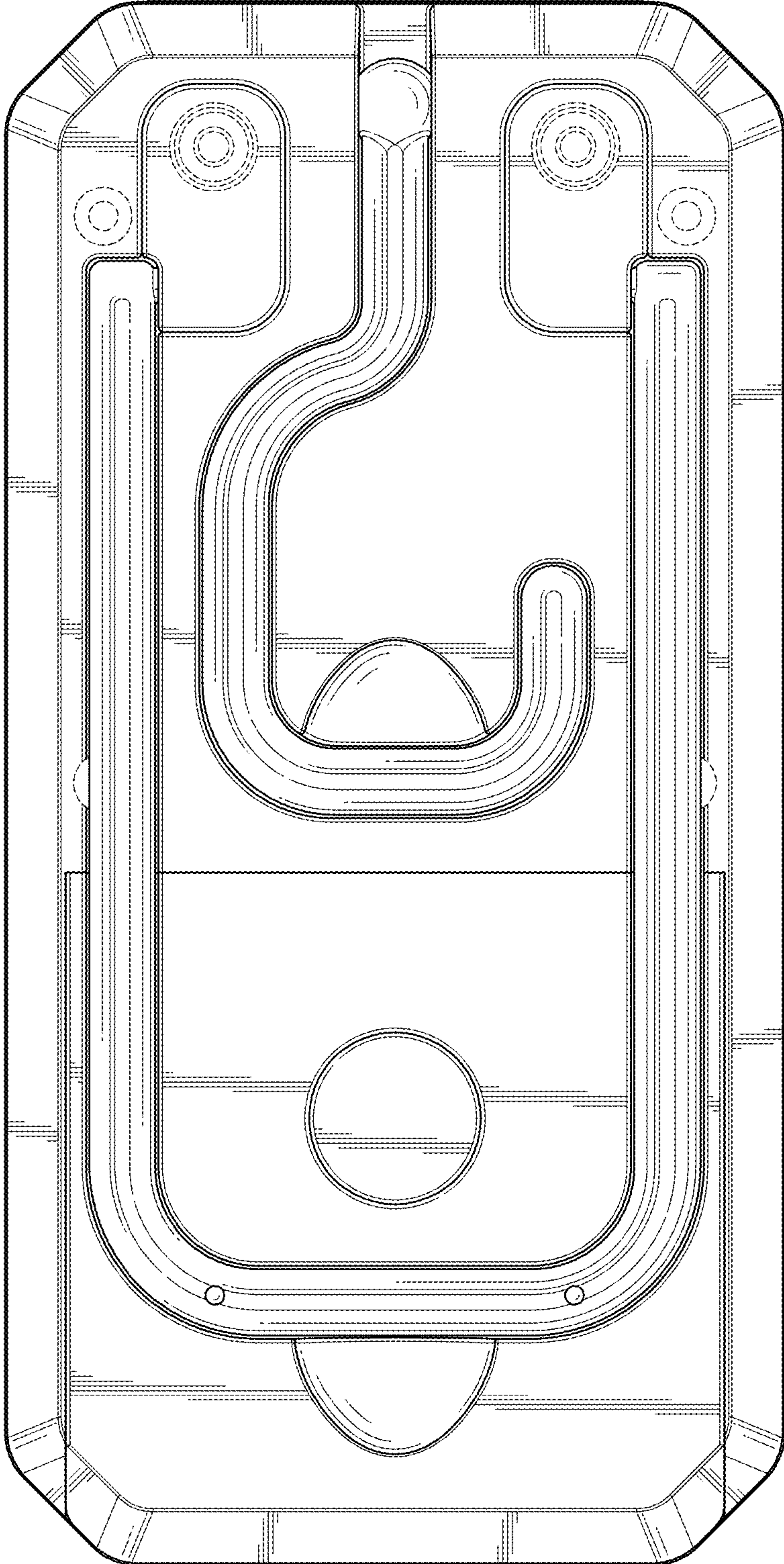


*FIG. 2*

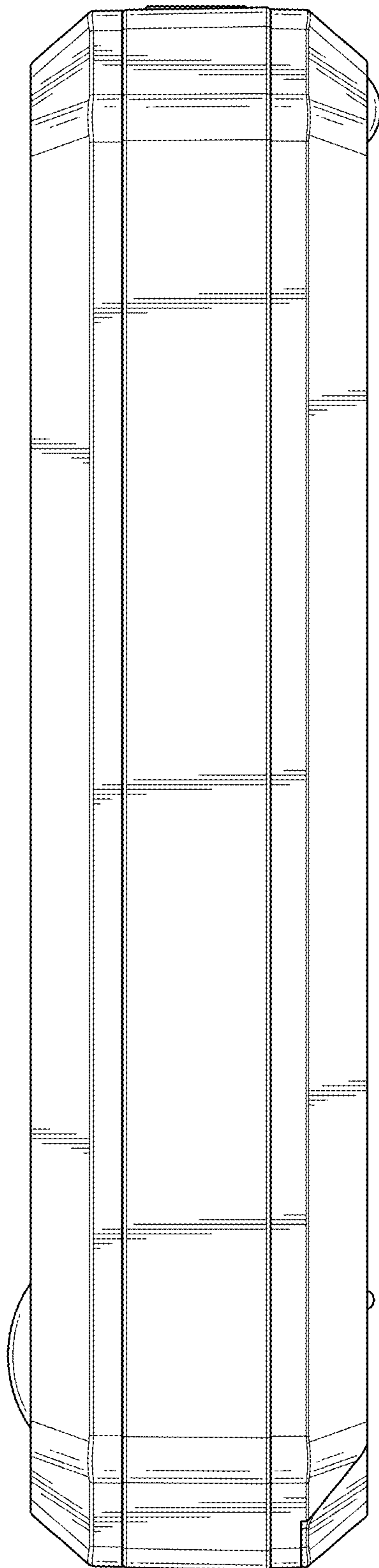




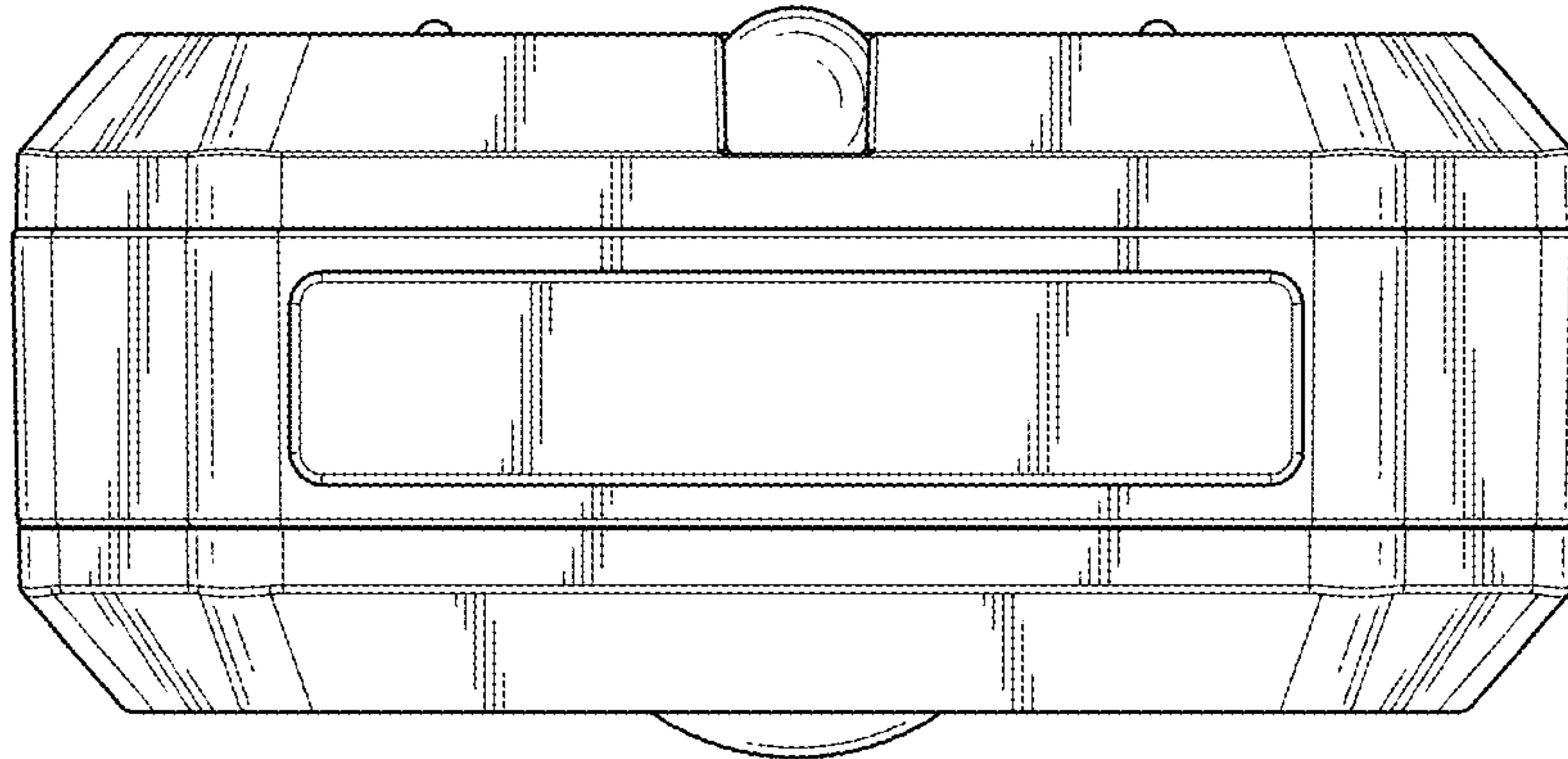
*FIG. 3*



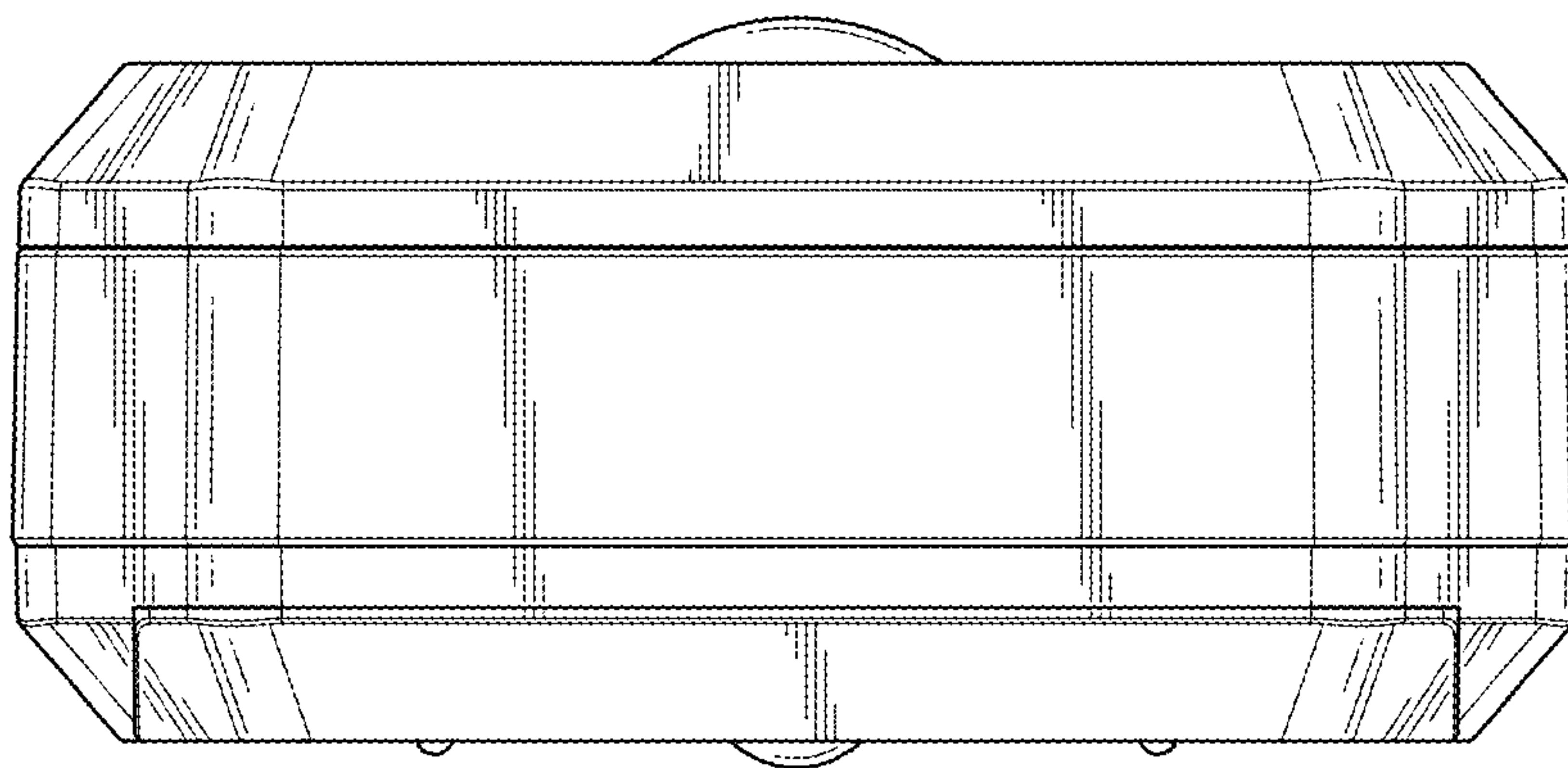
*FIG. 4*



*FIG. 5*



*FIG. 6*



*FIG. 7*