



US00D772459S

(12) **United States Design Patent**  
**Koshiba**

(10) **Patent No.:** **US D772,459 S**

(45) **Date of Patent:** **\*\* Nov. 22, 2016**

(54) **HANGING LED LIGHT**

(71) Applicant: **GENTOS CO., LTD.**, Tokyo (JP)

(72) Inventor: **Keita Koshiba**, Tokyo (JP)

(73) Assignee: **GENTOS CO., LTD.**, Tokyo (JP)

(\*\*) Term: **14 Years**

(21) Appl. No.: **29/518,023**

(22) Filed: **Feb. 19, 2015**

(30) **Foreign Application Priority Data**

Dec. 12, 2014 (JP) ..... 2014-027811

(51) **LOC (10) Cl.** ..... **26-03**

(52) **U.S. Cl.**  
USPC ..... **D26/63**

(58) **Field of Classification Search**  
USPC ..... D26/1, 24, 61, 63, 65, 85, 92  
CPC ..... F21V 21/14; F21V 15/01; F21V 14/02;  
F21V 21/30; F21V 21/00; F21V 14/00;  
F21S 8/00; F21S 8/003; F21S 8/043; F21Y  
2105/001

See application file for complete search history.

(56) **References Cited**

U.S. PATENT DOCUMENTS

D666,345 S \* 8/2012 Wang ..... D26/63  
D699,877 S \* 2/2014 Song ..... D26/63  
D754,383 S \* 4/2016 Kovacik ..... D26/63

\* cited by examiner

*Primary Examiner* — Brian N Vinson

(74) *Attorney, Agent, or Firm* — Im IP Law PLLC; C. Andrew Im

(57) **CLAIM**

The ornamental design for a hanging LED light, as shown and described.

**DESCRIPTION**

FIG. 1 is a front view of a hanging LED light showing my new design;

FIG. 2 is a rear view of a hanging LED light thereof;

FIG. 3 is a left side view of a hanging LED light thereof;

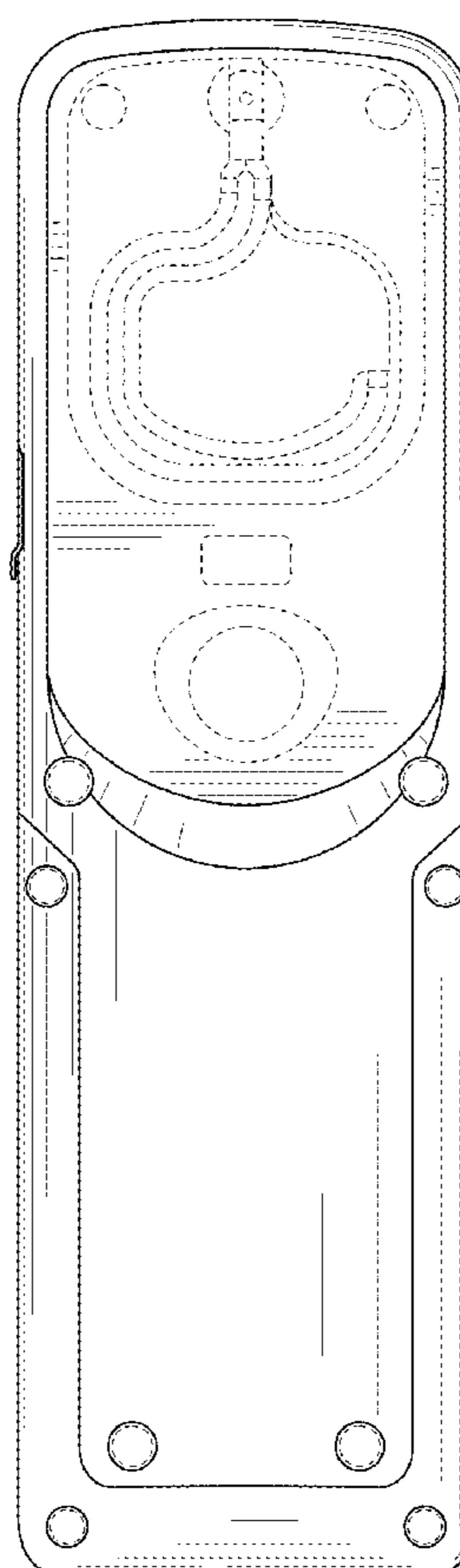
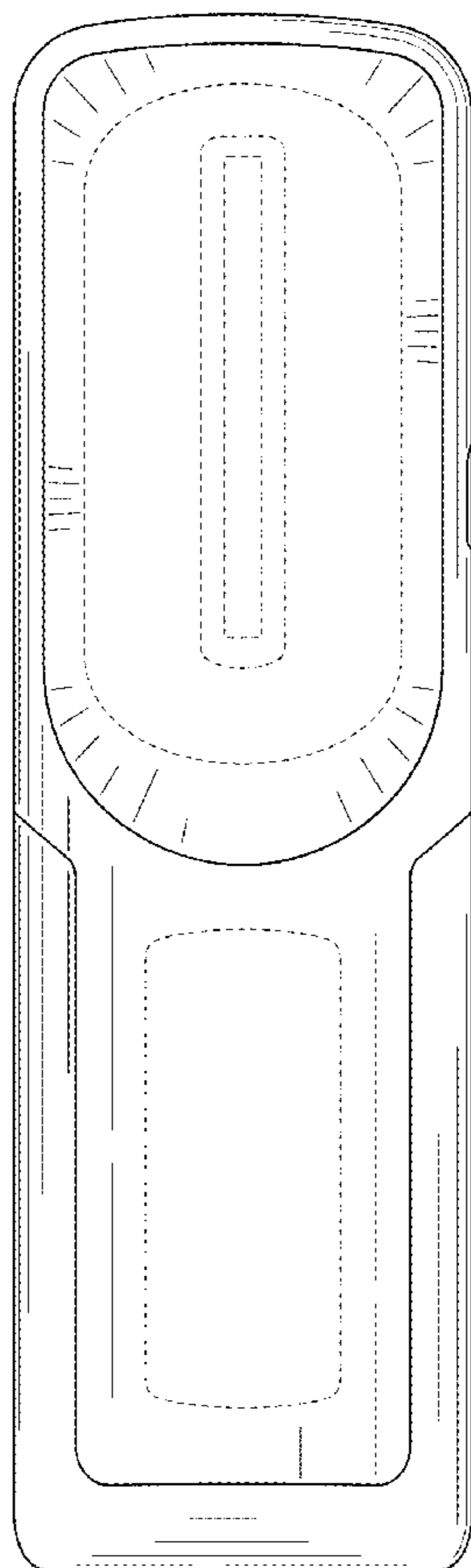
FIG. 4 is a right side view of a hanging LED light thereof;

FIG. 5 is a top view of a hanging LED light thereof; and,

FIG. 6 is a bottom view of a hanging LED light thereof.

The broken line disclosure represents portions of the light which form no part of the claimed design.

**1 Claim, 6 Drawing Sheets**



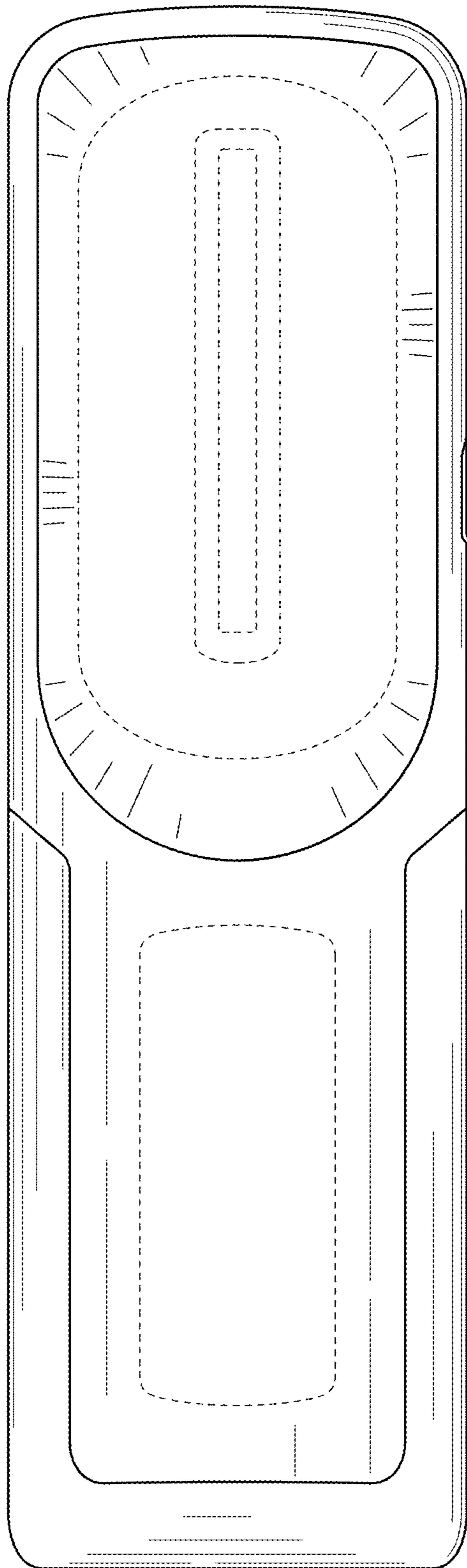


FIG. 1

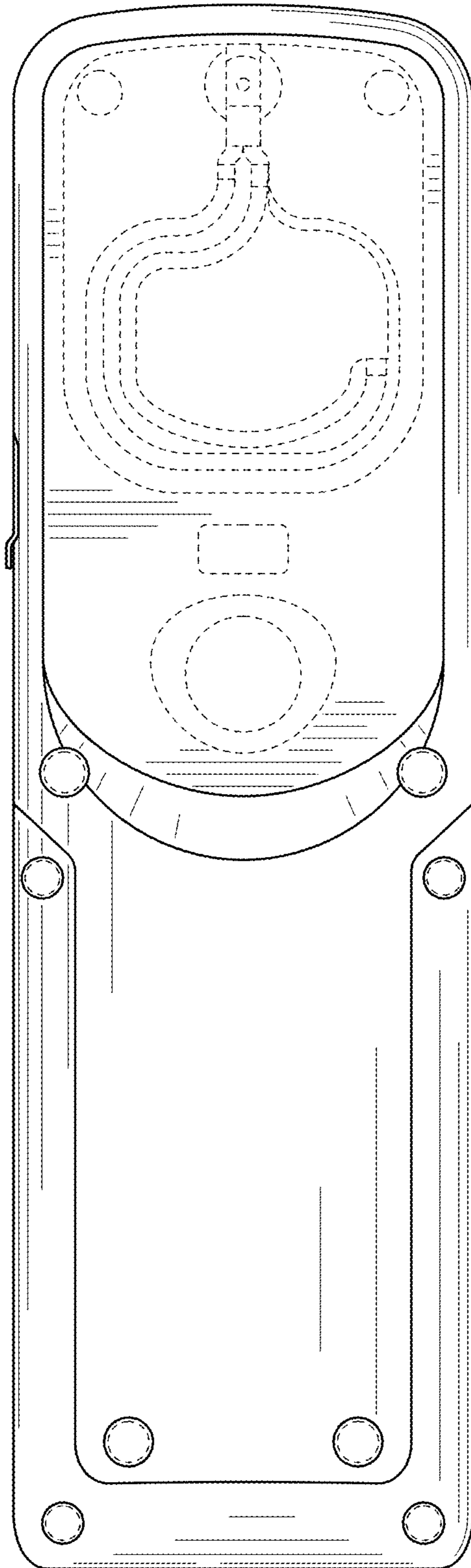


FIG. 2

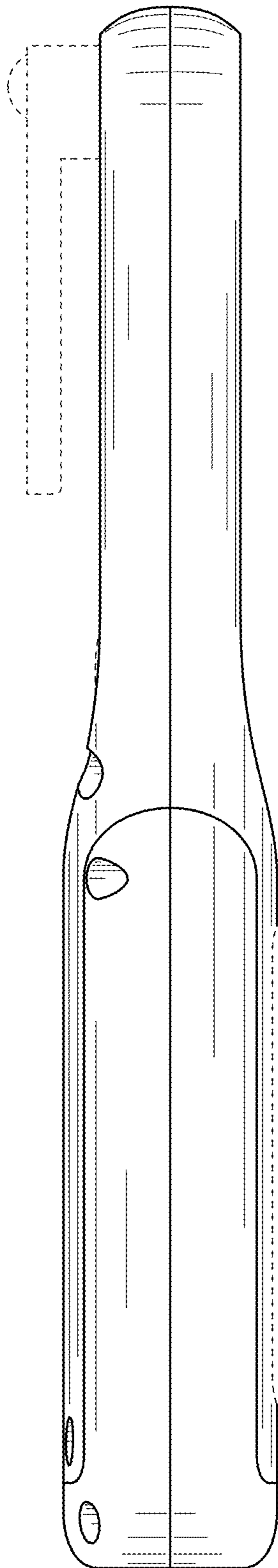


FIG. 3

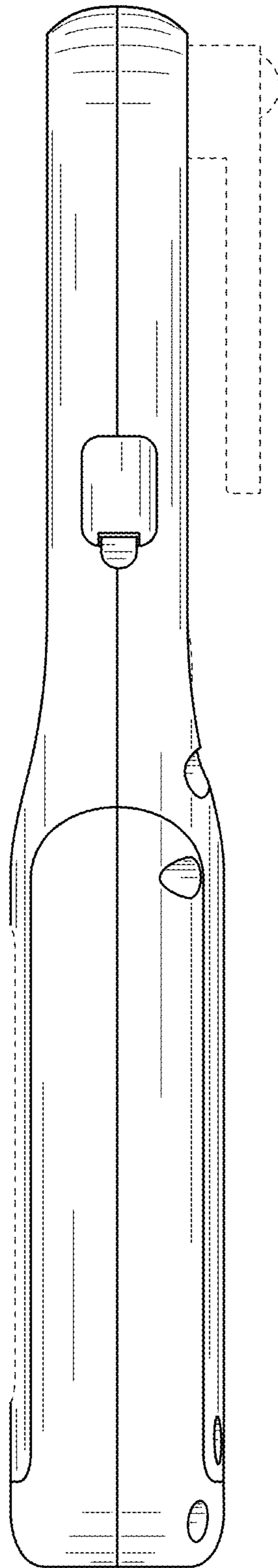


FIG. 4

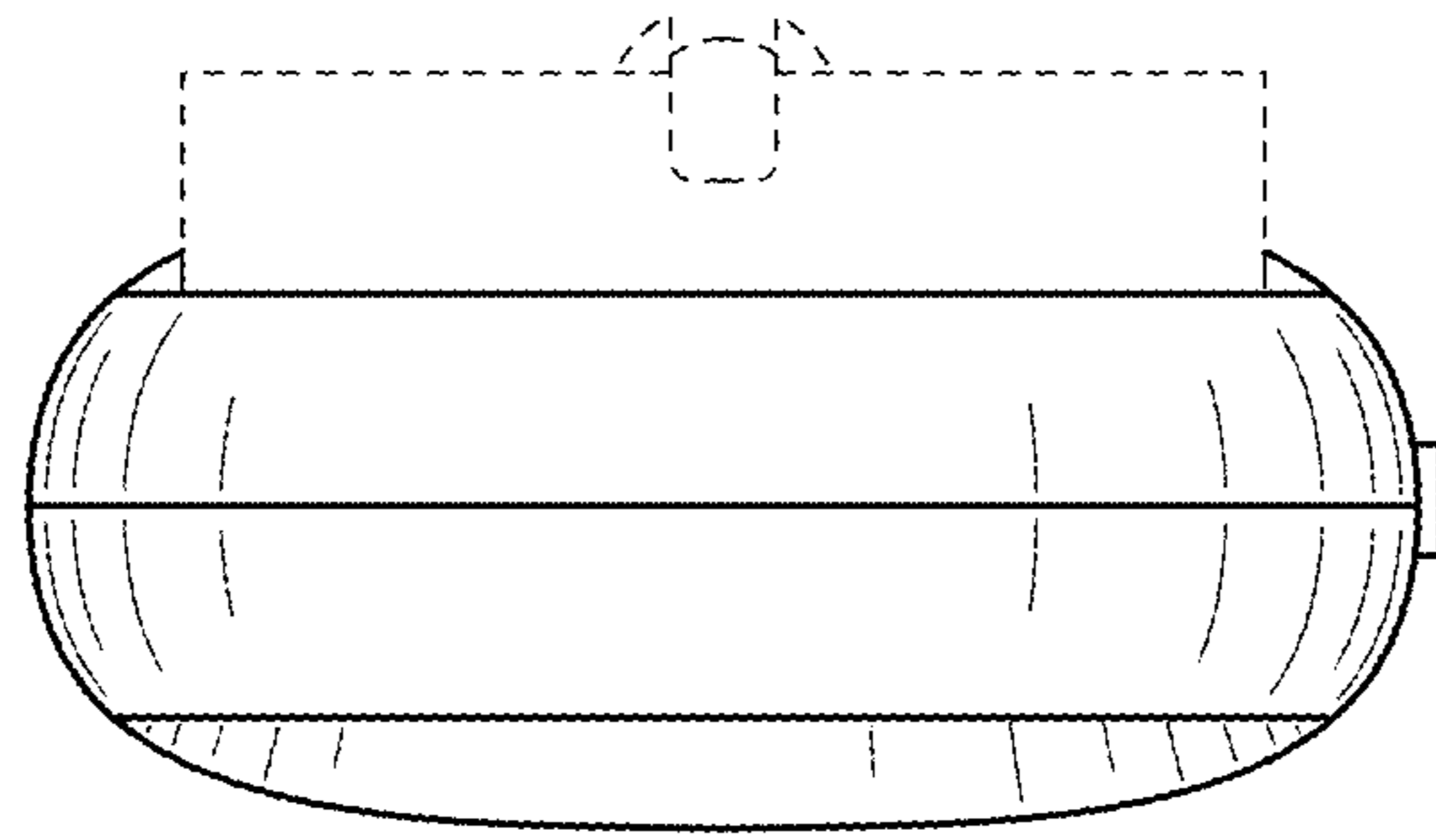


FIG. 5

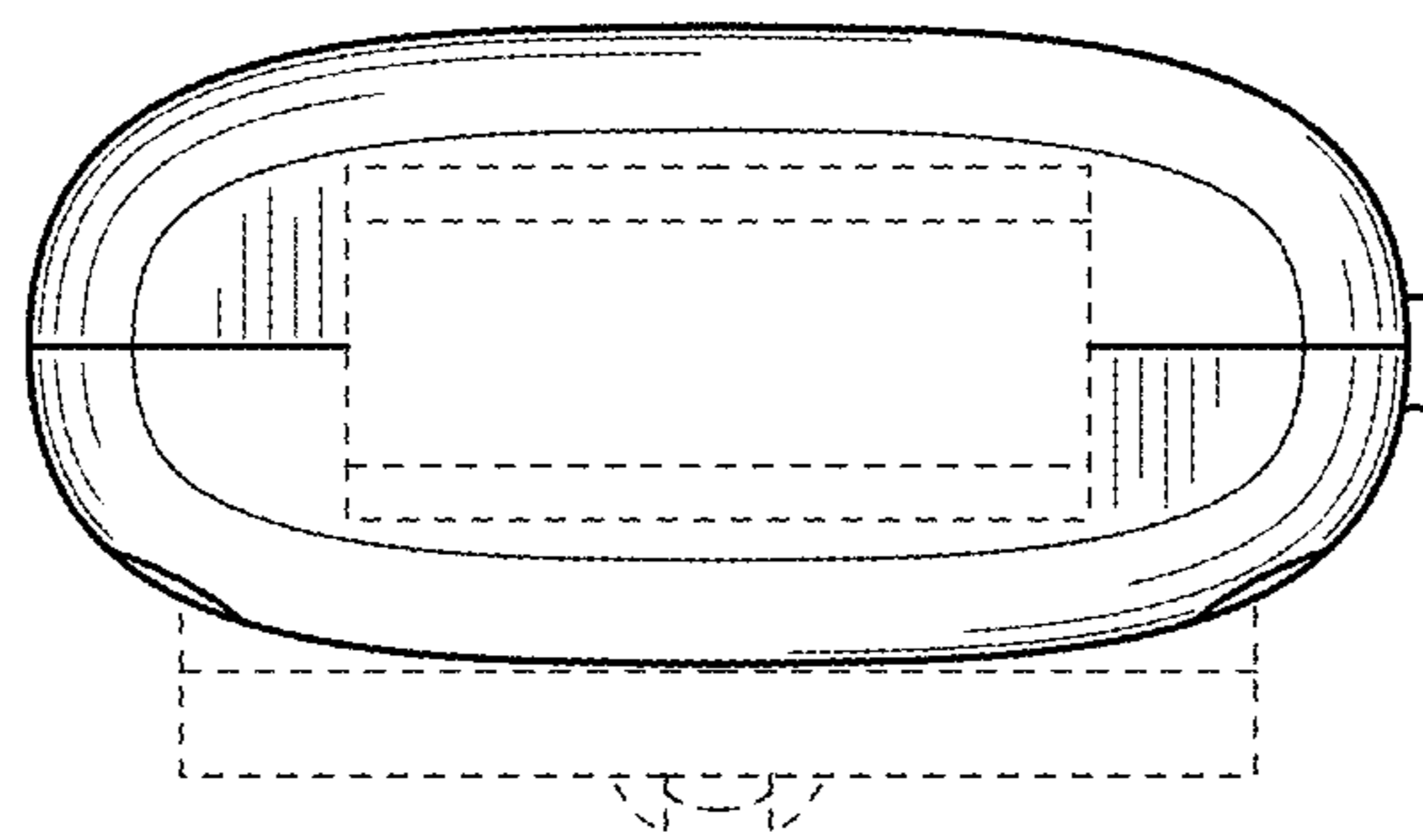


FIG. 6