



US00D772458S

(12) **United States Design Patent** (10) **Patent No.:** **US D772,458 S**  
**Lin** (45) **Date of Patent:** **\*\* Nov. 22, 2016**

(54) **LIGHT FOR HAND TOOL**

D647,655 S \* 10/2011 Lin ..... D26/60  
D680,673 S \* 4/2013 Levine ..... D26/60  
D752,266 S \* 3/2016 Dall ..... D26/51  
D762,316 S \* 7/2016 Cox ..... D26/37

(71) Applicant: **Yi-Hung Lin**, Taichung (TW)

(72) Inventor: **Yi-Hung Lin**, Taichung (TW)

\* cited by examiner

(73) Assignee: **I-N-B International Inc**, Taichung (TW)

*Primary Examiner* — Brian N Vinson

(\*\*) Term: **14 Years**

(57) **CLAIM**

The ornamental design for a light for hand tool, as shown and described.

(21) Appl. No.: **29/511,605**

(22) Filed: **Dec. 11, 2014**

**DESCRIPTION**

(51) **LOC (10) Cl.** ..... **26-03**

(52) **U.S. Cl.**  
USPC ..... **D26/60**

(58) **Field of Classification Search**  
USPC ..... D26/24, 51, 60, 37; D22/103, 108  
CPC .. F21V 33/00; F21V 33/0004; F21V 33/008;  
F41G 11/003; F41G 11/004; F41G 1/35  
See application file for complete search history.

FIG. 1 is a perspective view of a light for hand tool showing my new design;  
FIG. 2 is a front elevational view thereof;  
FIG. 3 is a rear elevational view thereof;  
FIG. 4 is a left side view thereof;  
FIG. 5 is a right side view thereof;  
FIG. 6 is a top plan view thereof;  
FIG. 7 is a bottom plan view thereof; and,  
FIG. 8 is a perspective view of the light mounted on a hand tool.

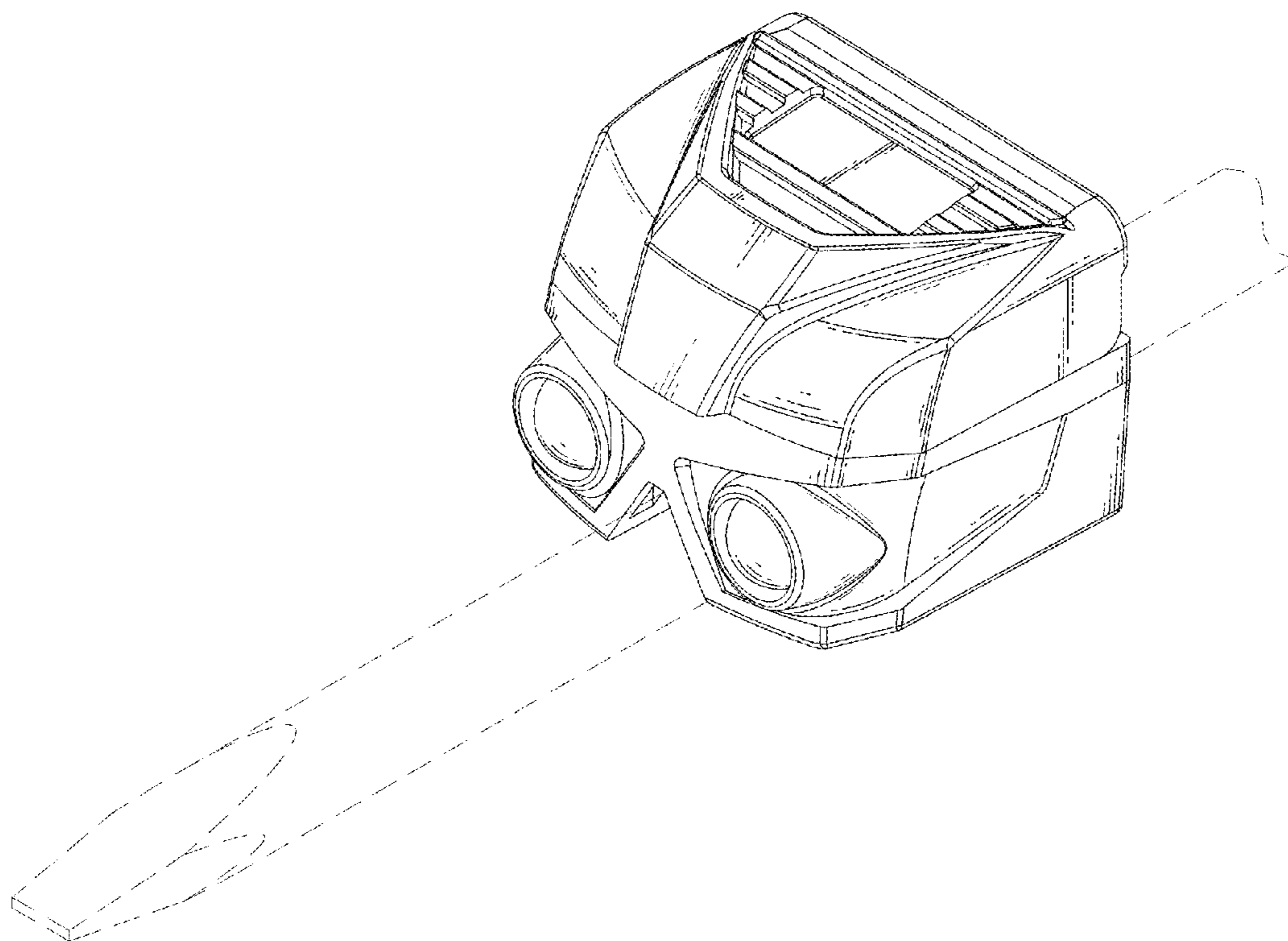
(56) **References Cited**

**U.S. PATENT DOCUMENTS**

D524,974 S \* 7/2006 Zernov ..... D26/37  
D574,983 S \* 8/2008 Rachwal ..... D26/37  
D616,127 S \* 5/2010 Taiga ..... D26/60  
D642,714 S \* 8/2011 Chuah ..... D26/60

The broken lines showing of the hand tool in FIG. 8 illustrate the environment of the claimed design and form no part thereof.

**1 Claim, 8 Drawing Sheets**



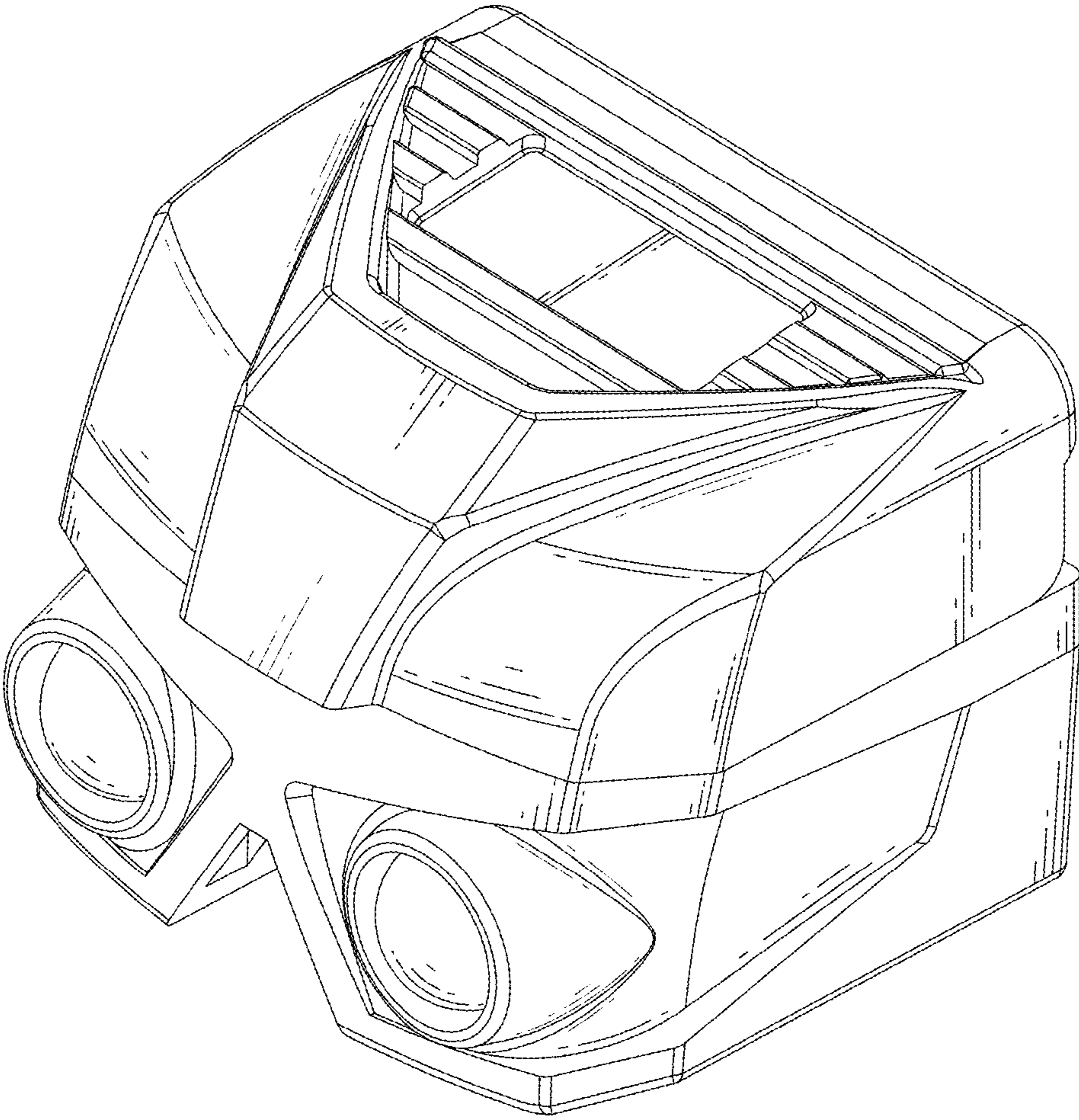


Fig. 1

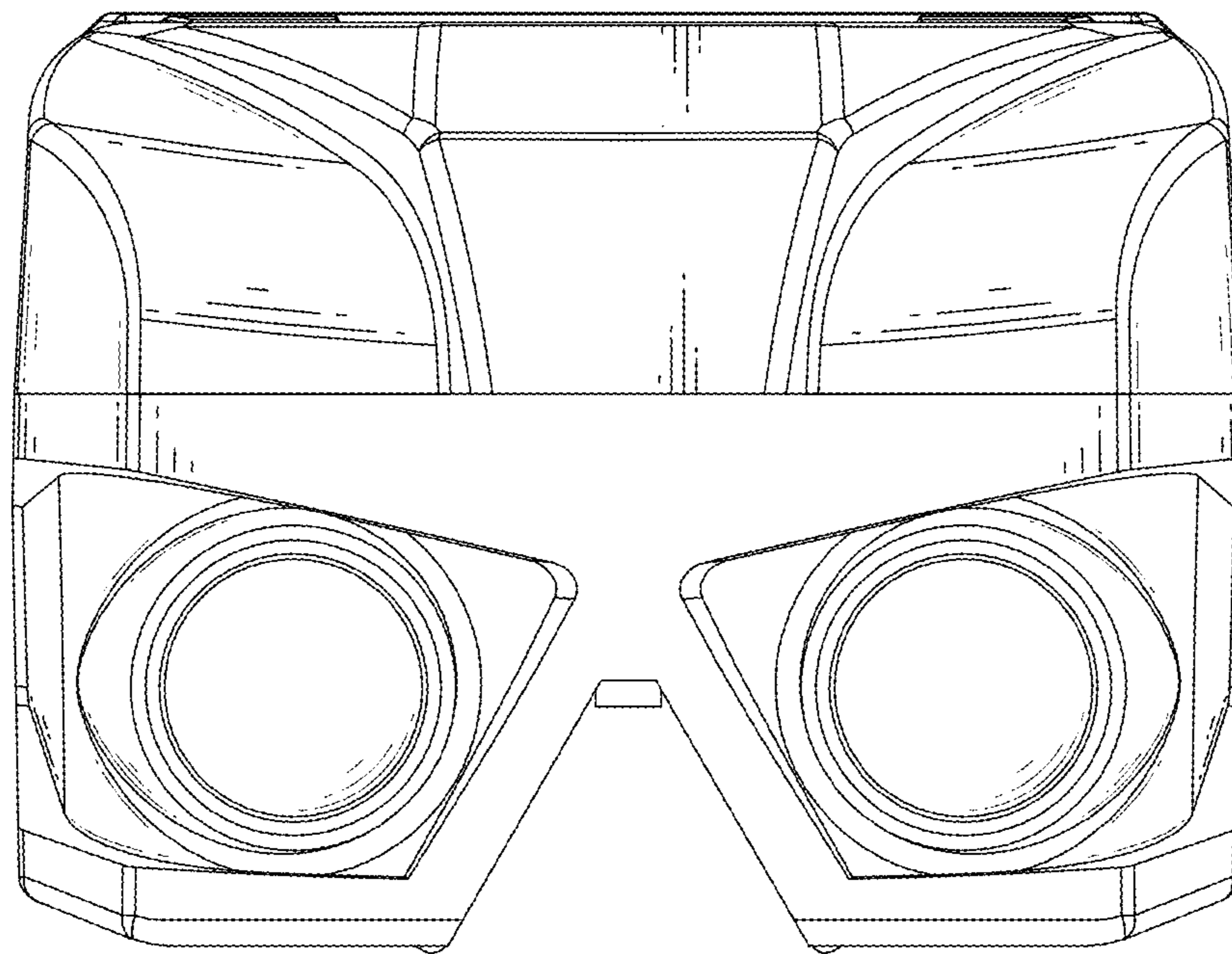


Fig. 2

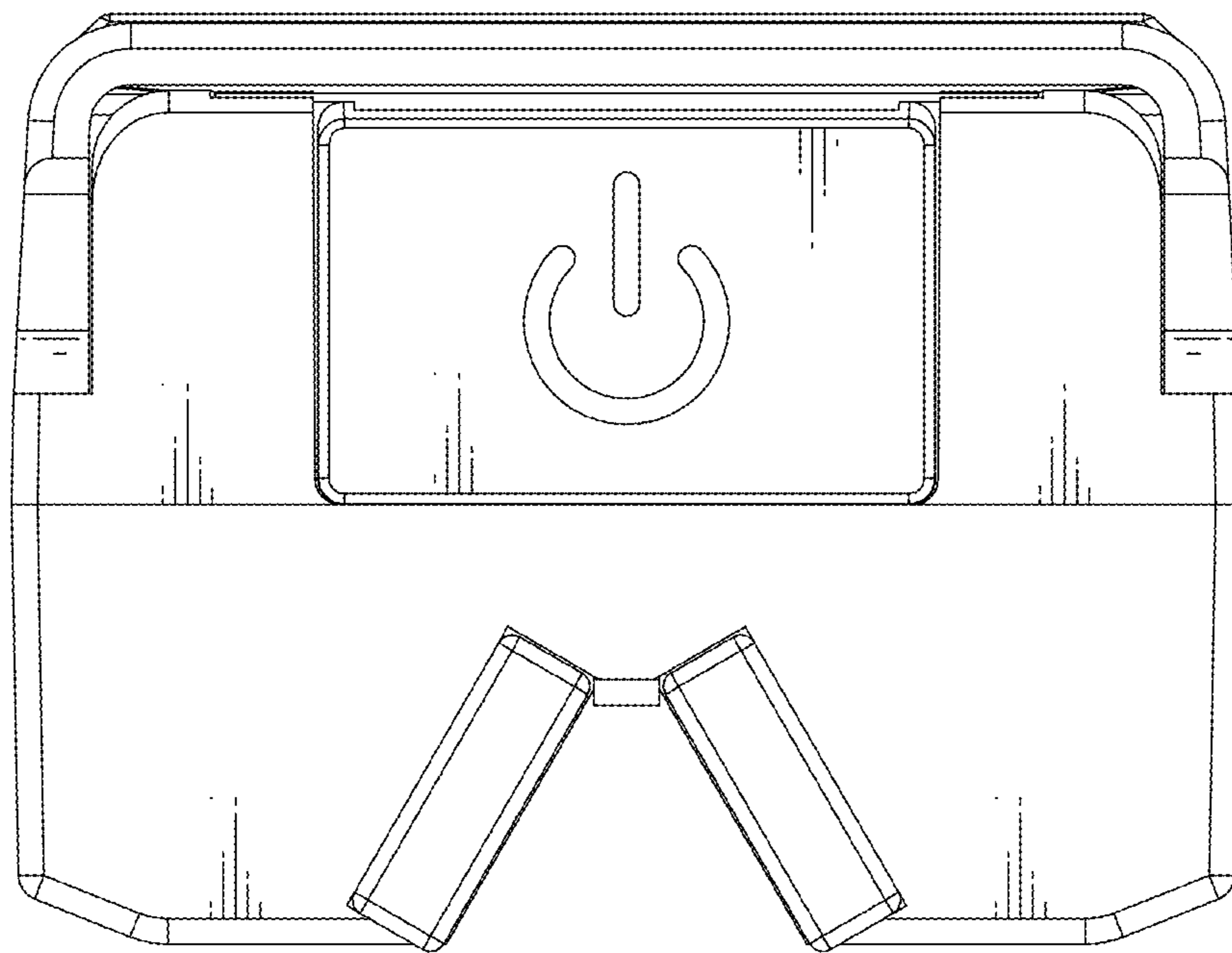


Fig. 3

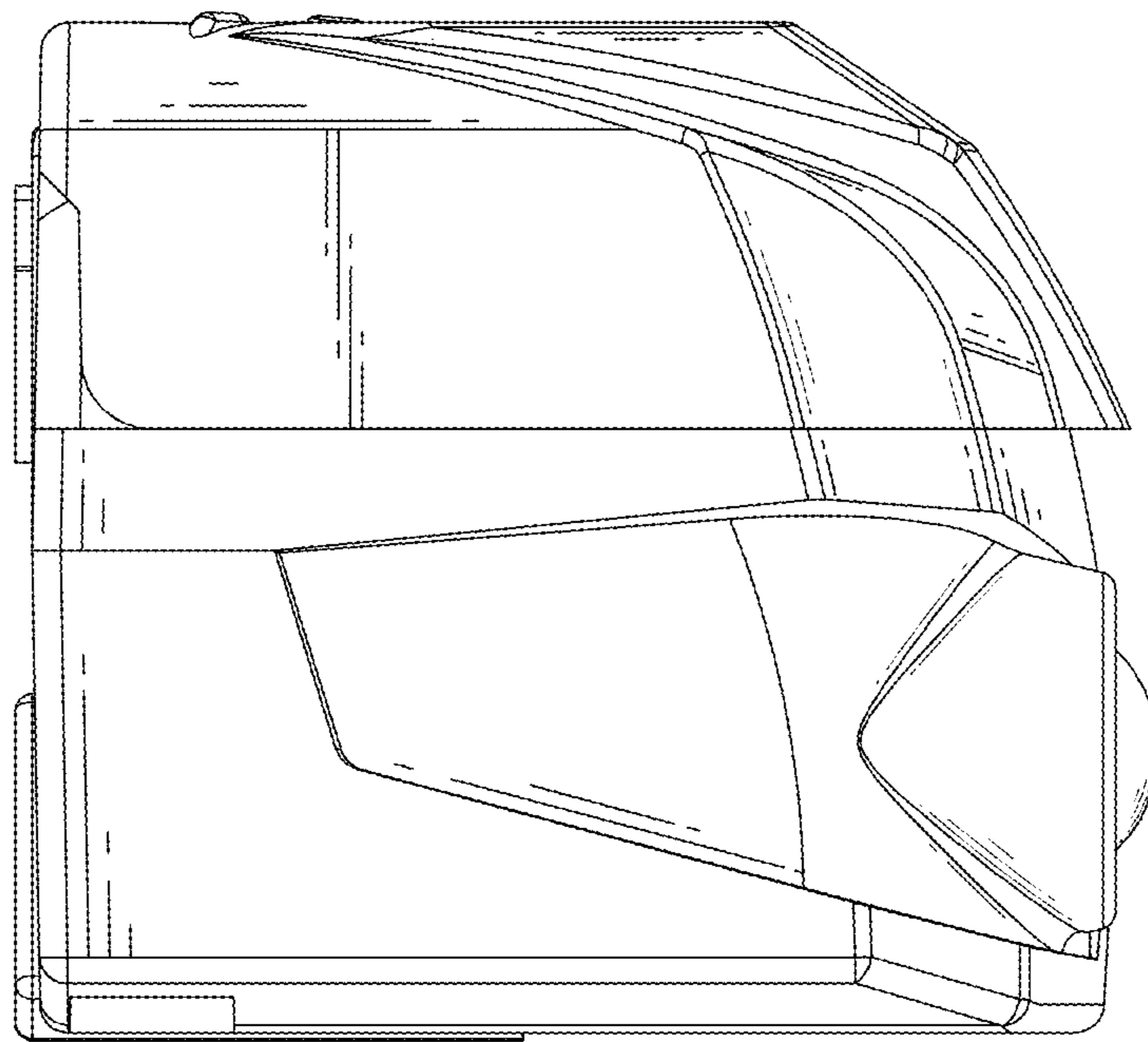


Fig. 4

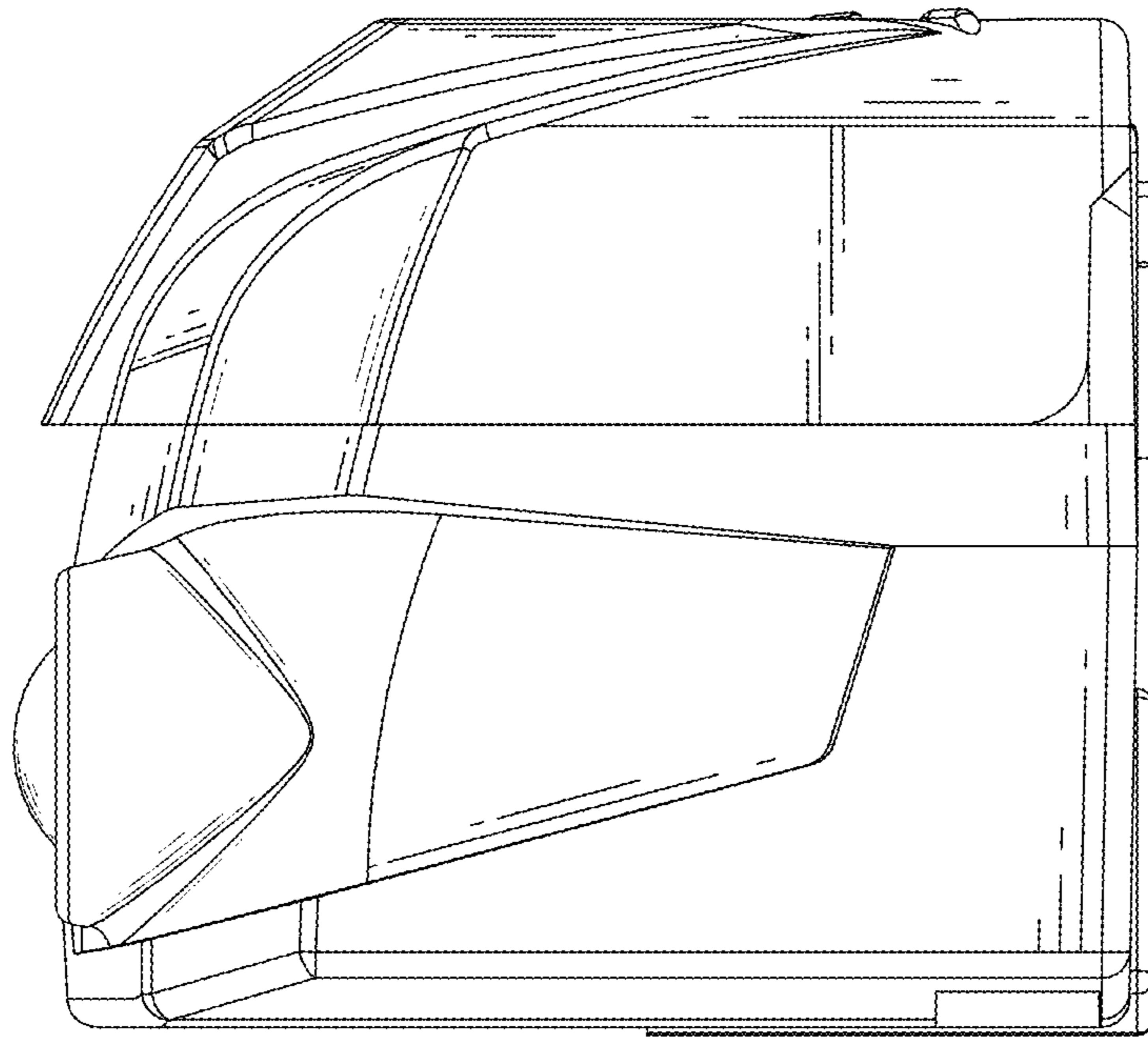


Fig. 5

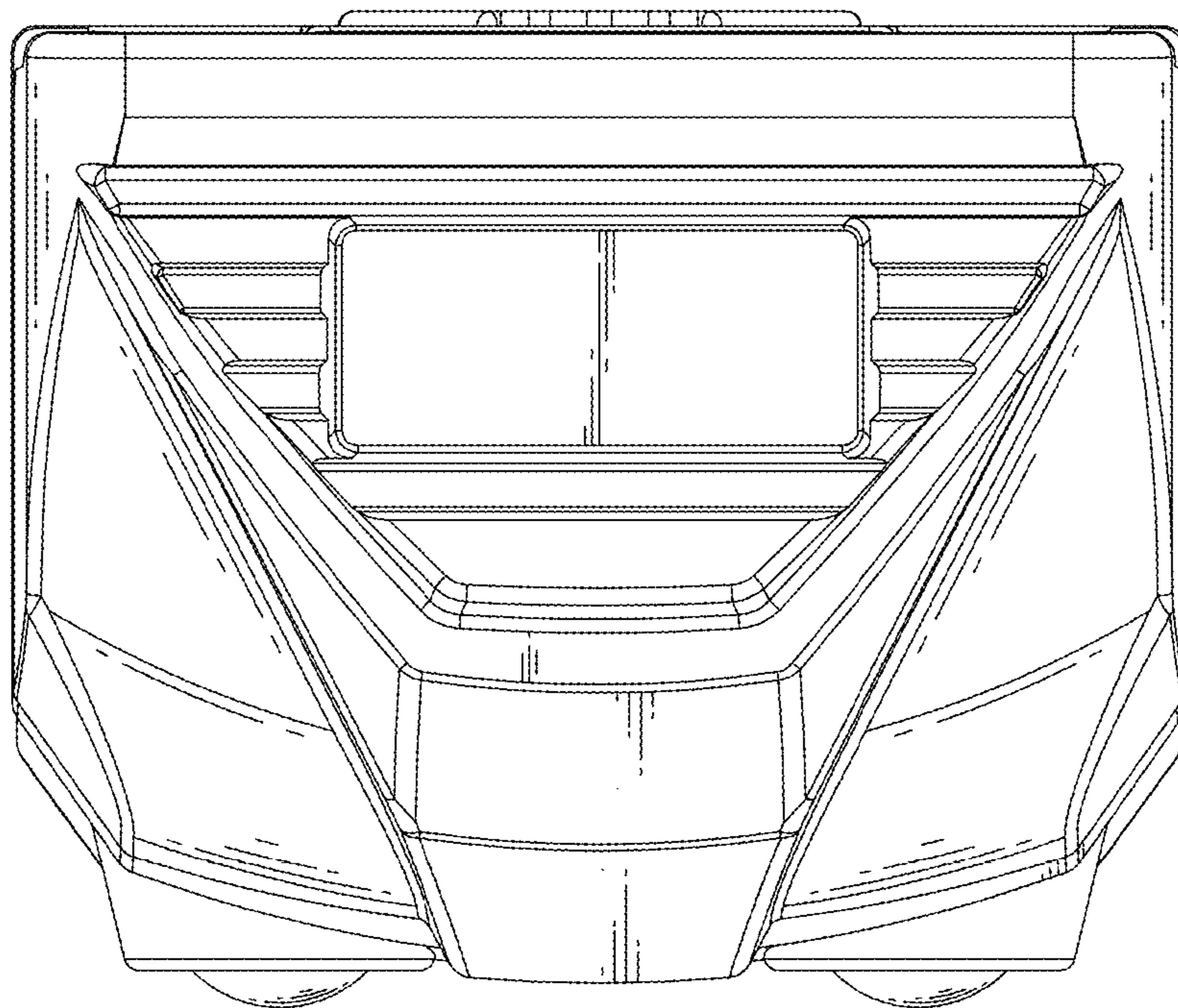


Fig. 6

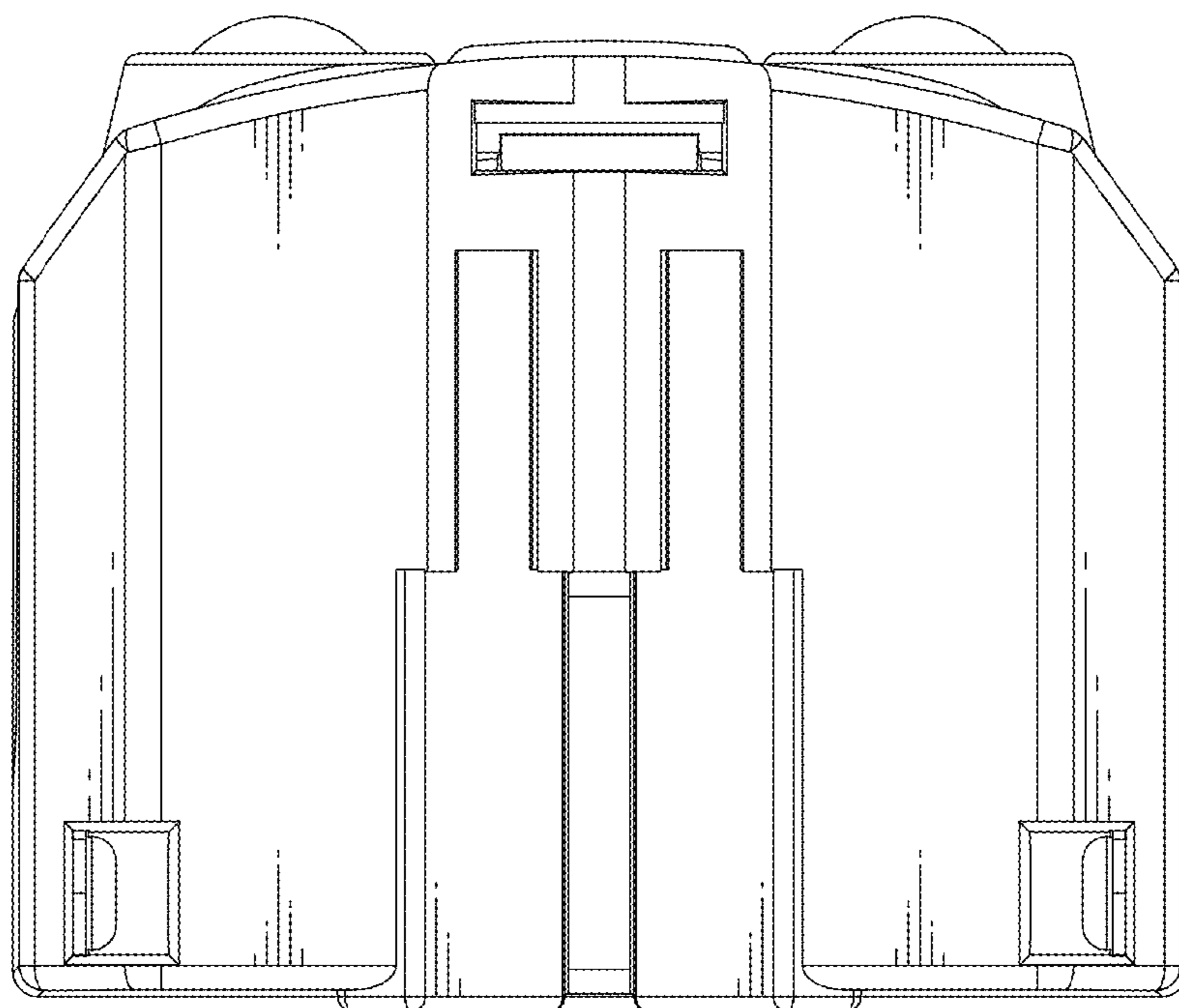


Fig. 7



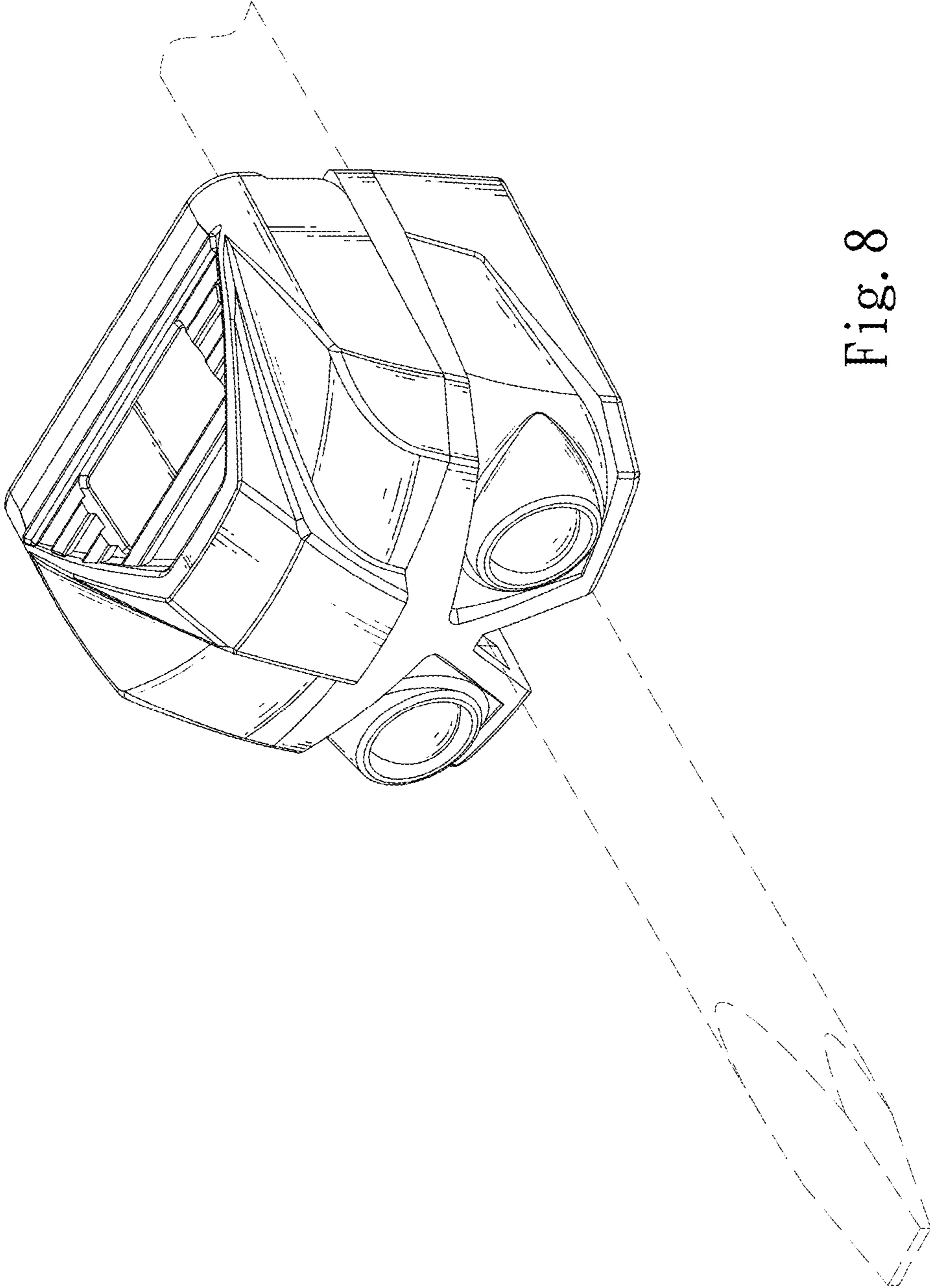


Fig. 8