



US00D772457S

(12) **United States Design Patent** (10) **Patent No.:** **US D772,457 S**
Lee et al. (45) **Date of Patent:** **** Nov. 22, 2016**

(54) **LAMP WITH SPEAKER**
(71) Applicant: **LG ELECTRONICS INC.**, Seoul (KR)
(72) Inventors: **Kunwoo Lee**, Seoul (KR); **Sieun Choi**, Seoul (KR)
(73) Assignee: **LG ELECTRONICS INC.**, Seoul (KR)
(**) Term: **15 Years**

D514,093 S * 1/2006 Borsboom D14/216
D514,548 S * 2/2006 Chan D14/216
D525,740 S * 7/2006 Parker D26/104
D544,618 S * 6/2007 Coughaine D26/37
D581,572 S * 11/2008 Levine D26/63
D605,337 S * 12/2009 Zhang D26/93
D634,870 S * 3/2011 Shen D14/204
D636,682 S * 4/2011 Gilliard, II D9/519
D644,351 S * 8/2011 Hasse D26/2
D698,957 S * 2/2014 Wang D26/38
D740,474 S * 10/2015 Pineau D26/37
D756,327 S * 5/2016 Conti D14/204
2008/0137880 A1 * 6/2008 Mills H04R 1/06
381/79

(21) Appl. No.: **29/534,361**
(22) Filed: **Jul. 28, 2015**
(30) **Foreign Application Priority Data**
Jan. 29, 2015 (KR) 30-2015-0004983

* cited by examiner

Primary Examiner — Lakiya Rogers
Assistant Examiner — Carissa C Fitts
(74) *Attorney, Agent, or Firm* — Birch, Stewart, Kolasch & Birch, LLP

(51) **LOC (10) Cl.** **26-05**
(52) **U.S. Cl.**
USPC **D26/52**
(58) **Field of Classification Search**
USPC D26/37, 38, 40, 42, 44, 51, 52;
362/157, 158, 183, 184, 194–196,
362/200–208, 253; D14/204, 221; 181/199
CPC F21L 2003/00; F21L 4/00; F21L 4/005;
F21L 4/02; F21L 4/025; F21L 4/027; F21L
4/04; F21L 4/08; F21L 2005/00; F21L 7/00;
F21L 11/00; F21L 13/00; F21L 13/04;
F21L 13/08; F21L 14/02; H04R 1/2807;
H04R 1/281
See application file for complete search history.

(57) **CLAIM**
The ornamental design for a lamp with speaker, as shown and described.

(56) **References Cited**
U.S. PATENT DOCUMENTS
D214,296 S * 5/1969 McFarland D19/77
D233,466 S * 10/1974 Robson D14/172
D234,799 S * 4/1975 Robson D14/172
D424,725 S * 5/2000 Cousins D26/37

DESCRIPTION

FIG. 1 is a perspective view of a lamp with speaker showing our new design;
FIG. 2 is a front view thereof;
FIG. 3 is a rear view thereof;
FIG. 4 is a left side view thereof where the right side view is a mirror image;
FIG. 5 is a top plan view thereof;
FIG. 6 is a bottom plan view thereof; and,
FIG. 7 is a reference view showing the state that a mobile phone is attached to the subject design.
The stipple shading and the straight line shading illustrate a contrasting appearance.
The broken lines in FIG. 7 show environmental structure only and form no part of the claimed design.

1 Claim, 7 Drawing Sheets

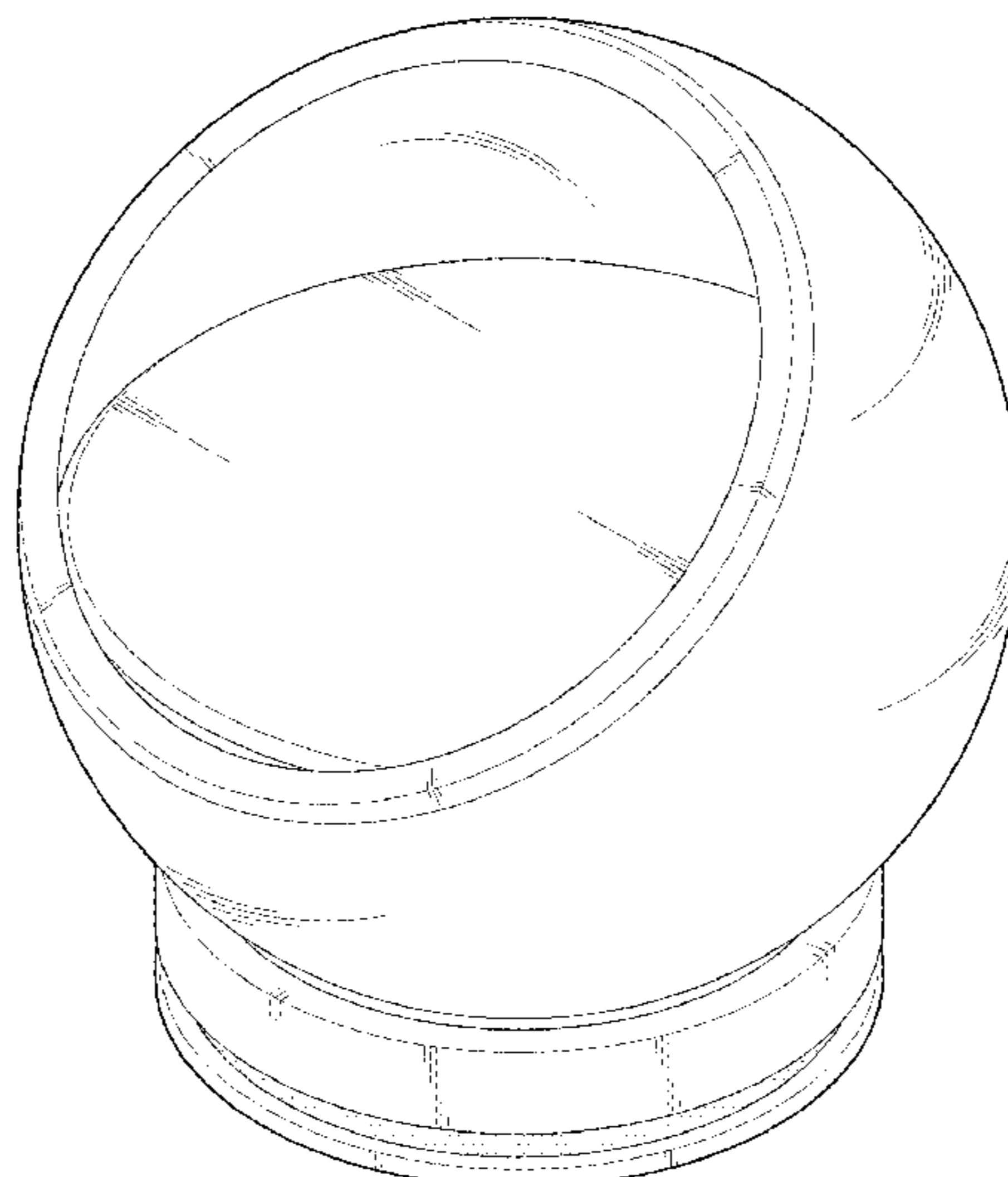


FIG. 1

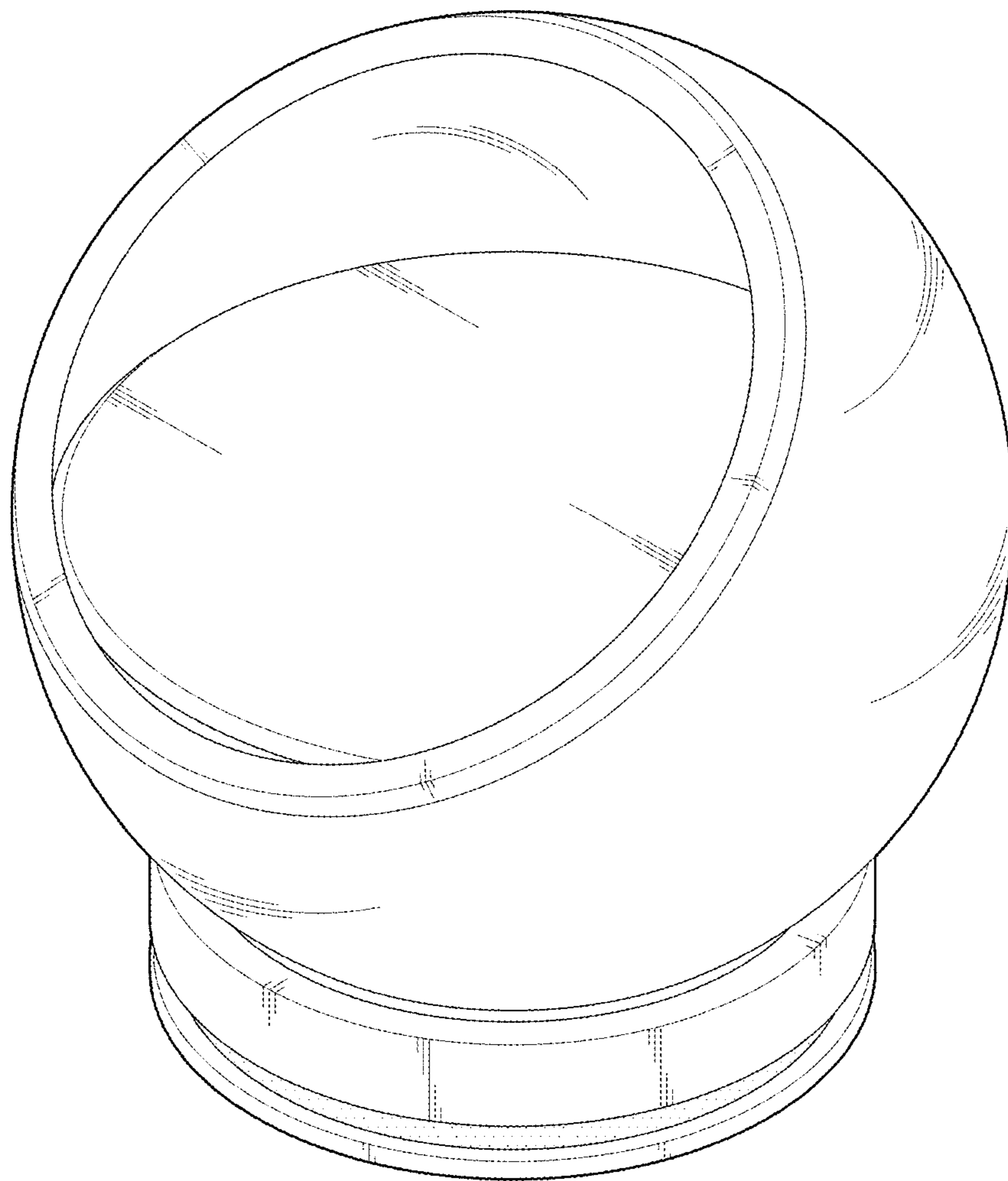


FIG. 2

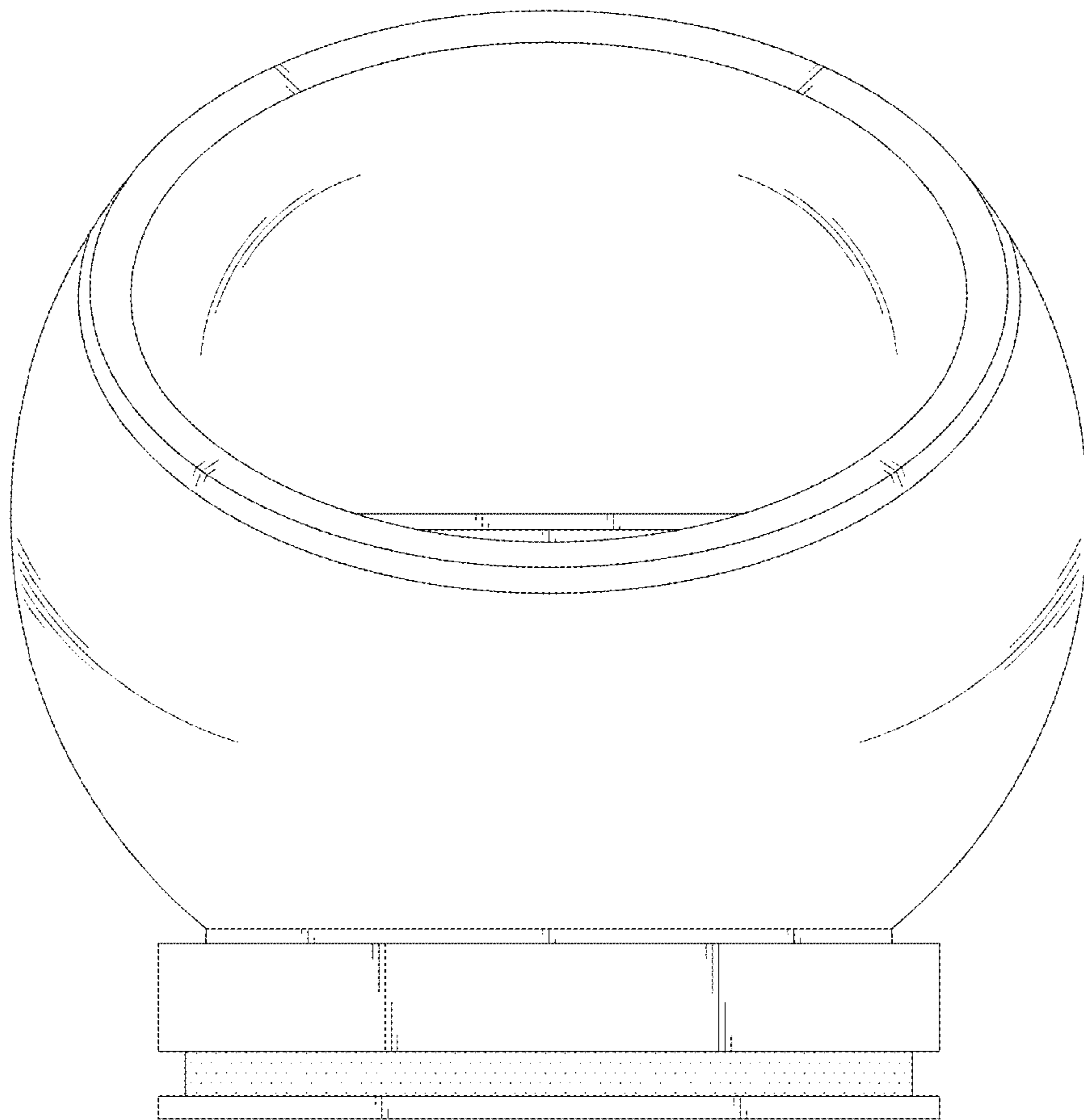


FIG. 3

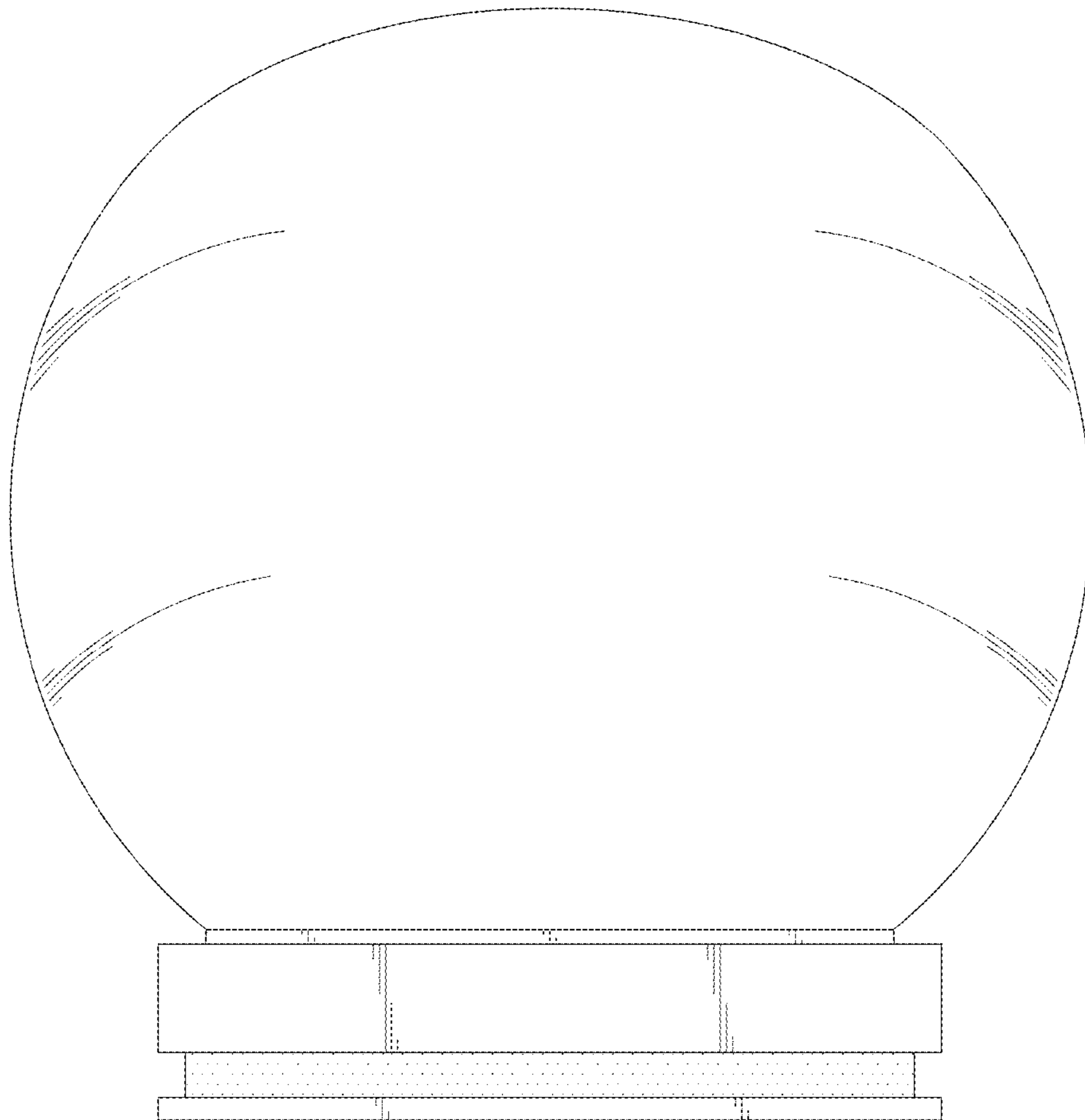


FIG. 4

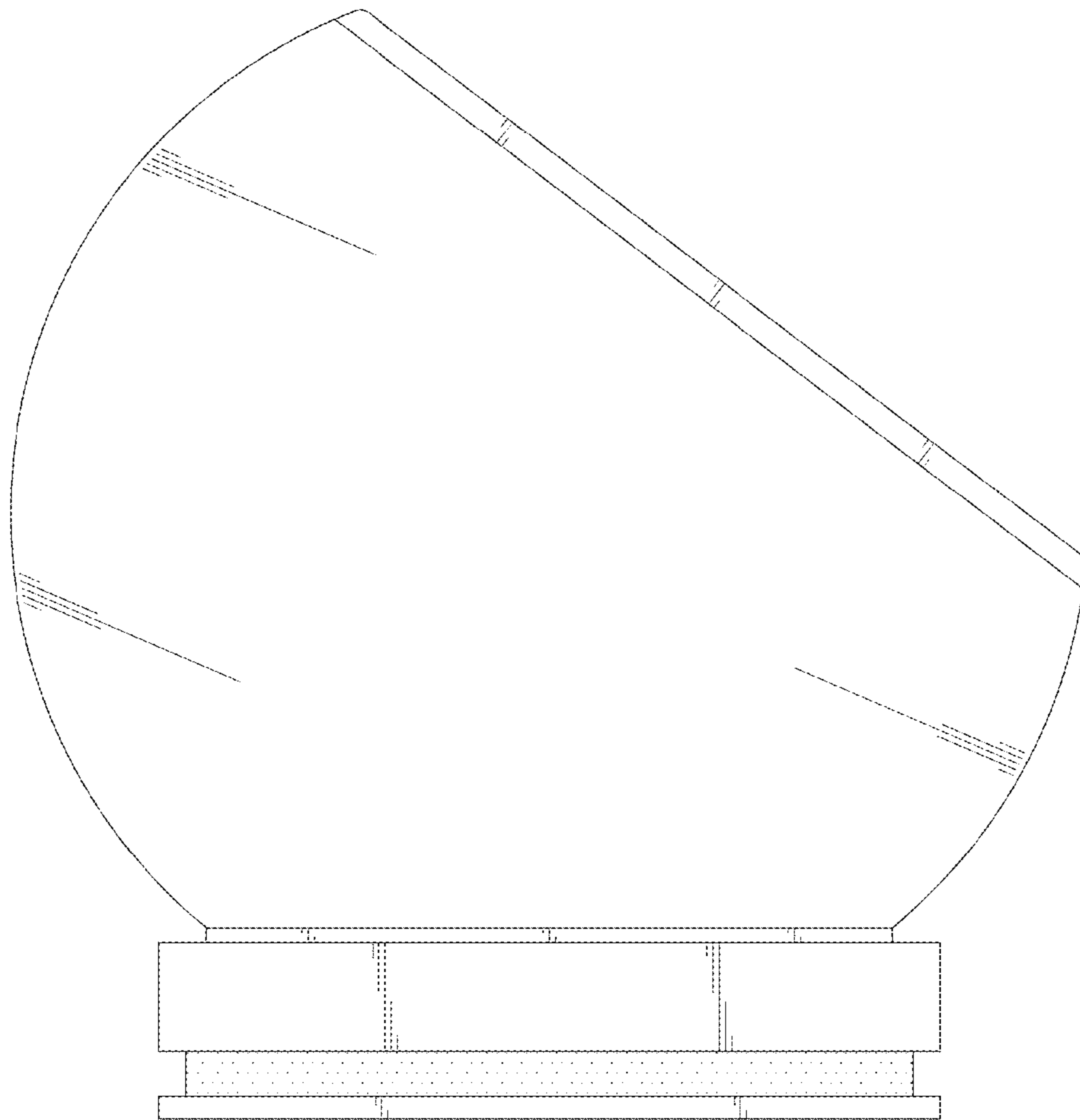


FIG. 5

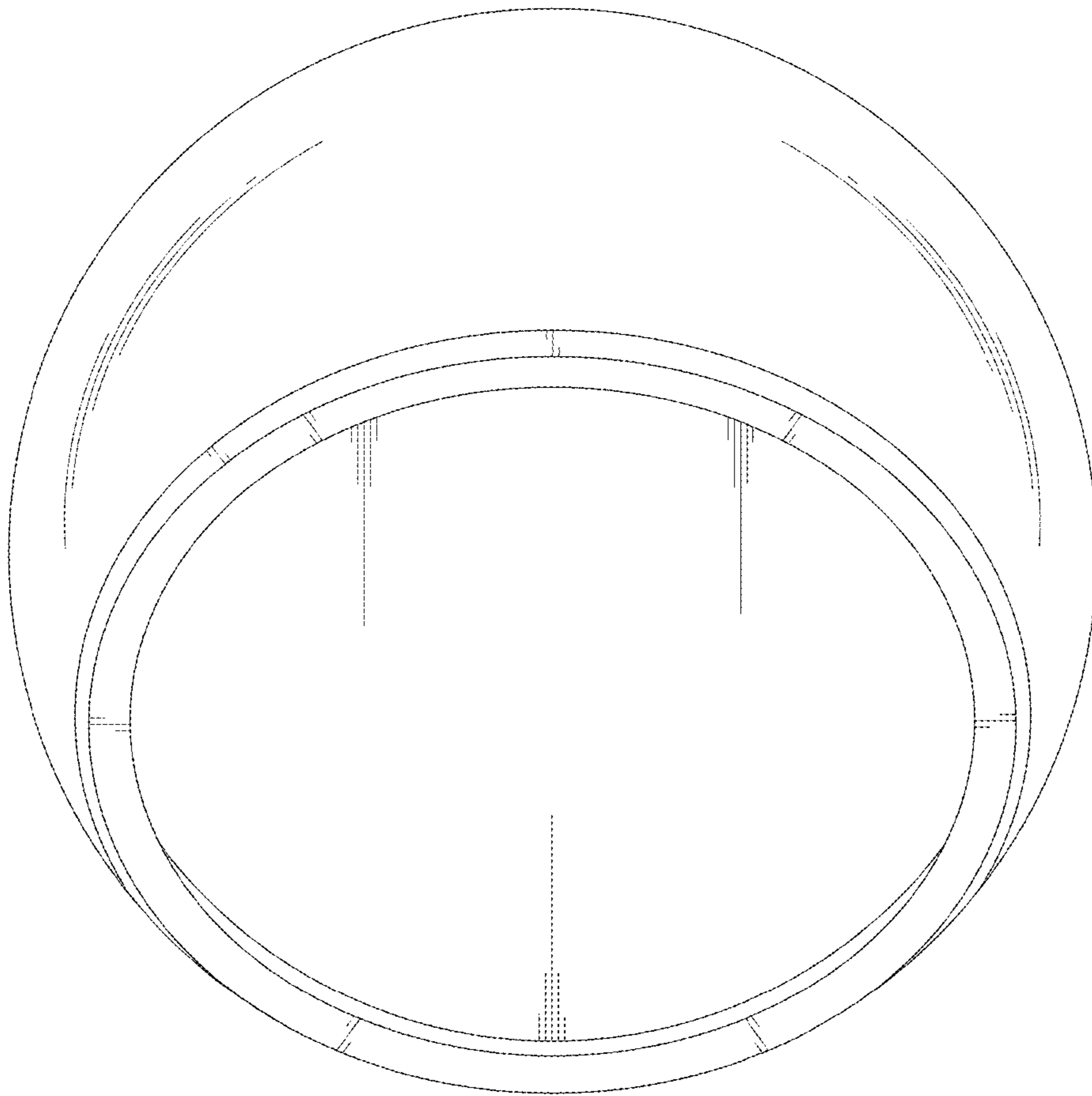


FIG. 6

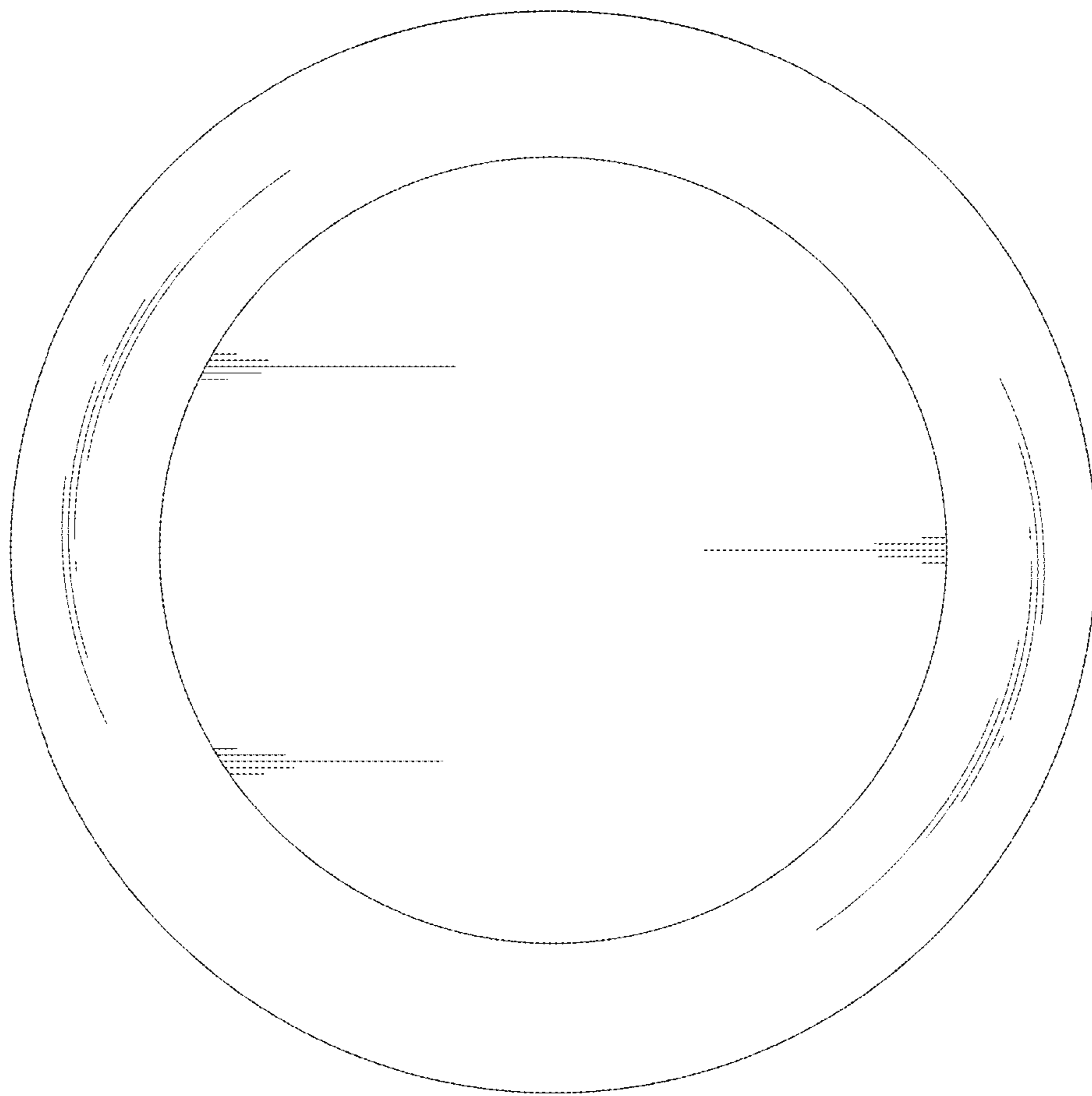


FIG. 7

