



US00D772456S

(12) **United States Design Patent** (10) **Patent No.:** **US D772,456 S**
Bertken (45) **Date of Patent:** **** Nov. 22, 2016**

(54) **ILLUMINATION DEVICE**
(71) Applicant: **Nite Ize, Inc.**, Boulder, CO (US)
(72) Inventor: **Dennis Bertken**, Del Mar, CA (US)
(73) Assignee: **NITE IZE, INC.**, Boulder, CO (US)
(**) Term: **15 Years**
(21) Appl. No.: **29/535,079**

D601,285 S * 9/2009 Chen D26/49
D629,544 S * 12/2010 Deguglimo D26/49
D629,546 S * 12/2010 Deguglimo D26/49
D629,940 S * 12/2010 Osterhout D26/38
D674,943 S * 1/2013 Sheikh D22/117
D675,764 S * 2/2013 Boutet D26/49
D719,694 S * 12/2014 Nawaz D22/117
D736,975 S * 8/2015 Tang D22/117
D740,988 S * 10/2015 Robinson D26/49
D743,076 S * 11/2015 Robinson D26/49
D743,599 S * 11/2015 Robinson D26/49
D743,600 S * 11/2015 Robinson D26/49
D747,024 S * 1/2016 Windom D26/49

* cited by examiner

(22) Filed: **Aug. 3, 2015**
(51) **LOC (10) Cl.** **26-02**
(52) **U.S. Cl.**
USPC **D26/49**
(58) **Field of Classification Search**
USPC D26/46, 49, 37, 38, 51; 362/158, 183,
362/184, 194-196, 200-208
CPC F21L 2003/00; F21L 4/00; F21L 4/005;
F21L 4/02; F21L 4/025; F21L 4/027; F21L
4/04; F21L 4/08; F21L 2005/00; F21L 7/00;
F21L 11/00; F21L 13/00; F21L 13/04;
F21L 13/08; F21L 14/02; F21L 17/00;
F21L 19/00
See application file for complete search history.

Primary Examiner — Lakiya Rogers
Assistant Examiner — Carissa C Fitts
(74) *Attorney, Agent, or Firm* — Robert P. Ziemian;
Haynes and Boone, LLP

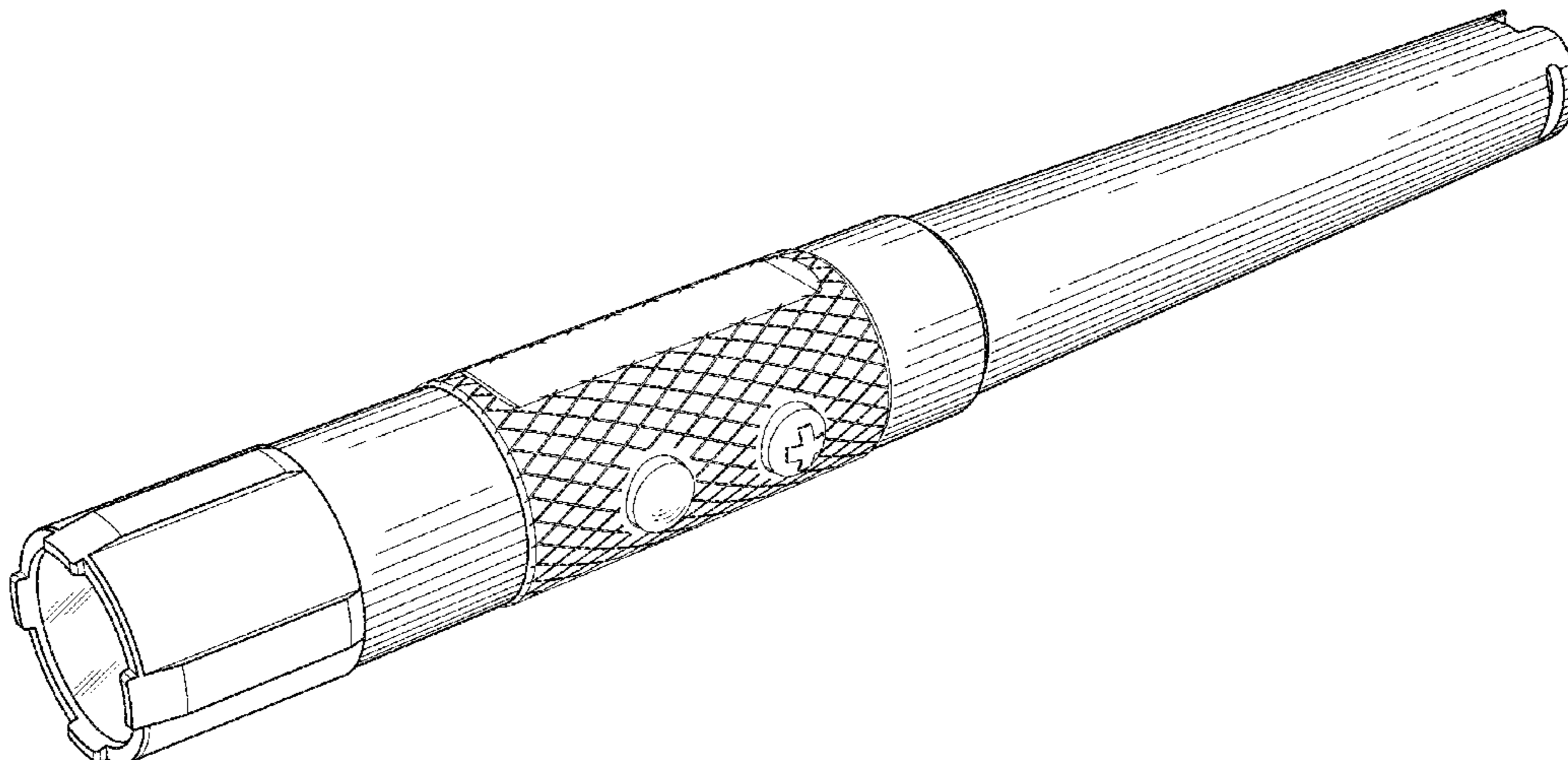
(57) **CLAIM**
The ornamental design for an illumination device, as shown
and described.

DESCRIPTION

FIG. 1 is a first perspective view of the illumination device;
FIG. 2 is a second perspective view of the illumination
device of FIG. 1;
FIG. 3 is a front view of the illumination device of FIG. 1;
FIG. 4 is a back view of the illumination device of FIG. 1;
FIG. 5 is a first end view of the illumination device of FIG.
1;
FIG. 6 is a second end view of the illumination device of
FIG. 1;
FIG. 7 is a right side view of the illumination device of FIG.
1; and,
FIG. 8 is a left side view of the illumination device of FIG.
1.

(56) **References Cited**
U.S. PATENT DOCUMENTS
D368,147 S * 3/1996 Bamber D26/49
D495,442 S * 8/2004 Packard D26/37
D497,020 S * 10/2004 Lee D26/49
D501,055 S * 1/2005 Packard D26/37
D504,529 S * 4/2005 Vickers D26/37
D504,530 S * 4/2005 Shiu D26/37
D533,674 S * 12/2006 Julius D26/49
D563,007 S * 2/2008 Opolka D26/49
D564,116 S * 3/2008 Linardos D26/49
D574,529 S * 8/2008 Squires D26/49
D577,845 S * 9/2008 Shiu D26/49

1 Claim, 5 Drawing Sheets



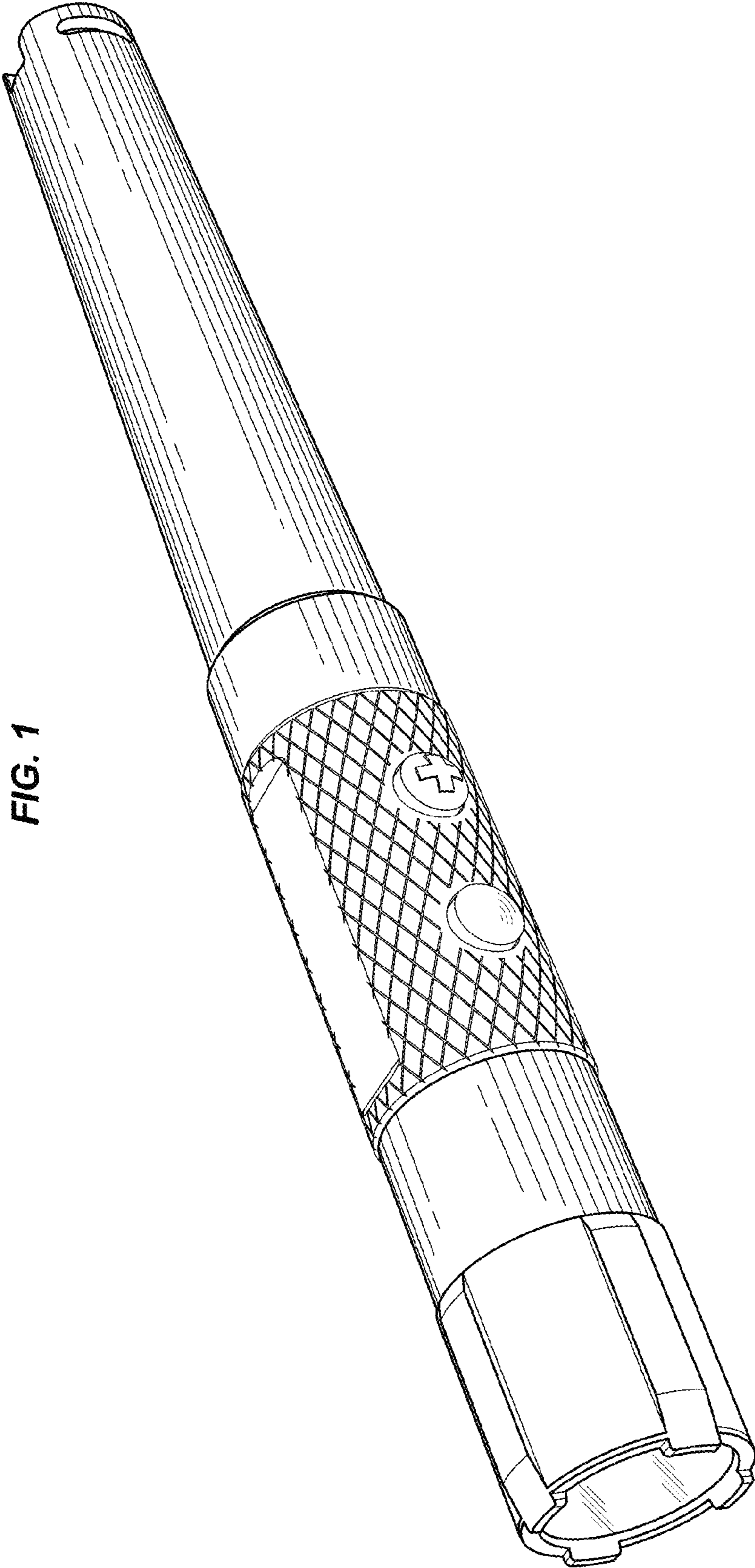


FIG. 1

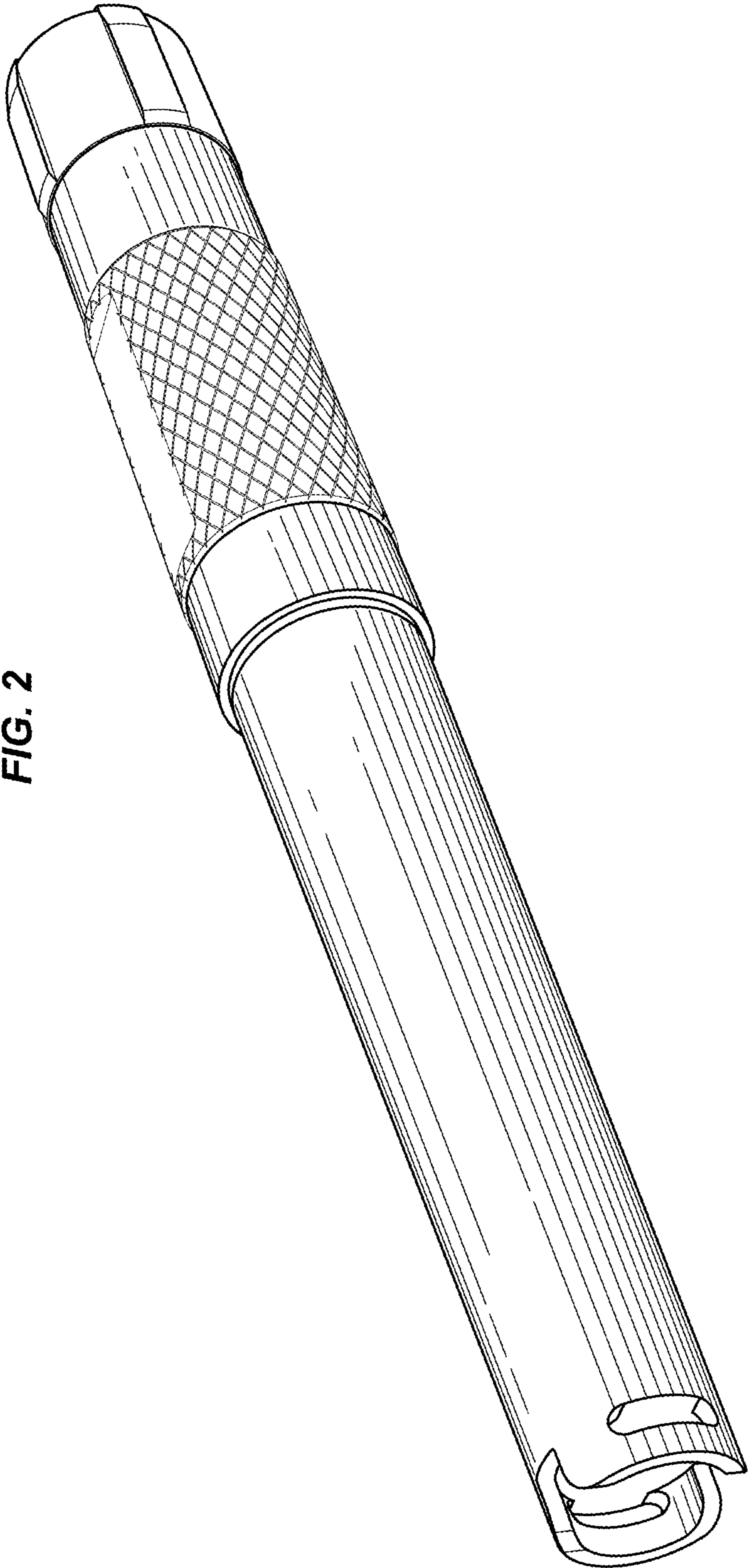


FIG. 2

FIG. 3

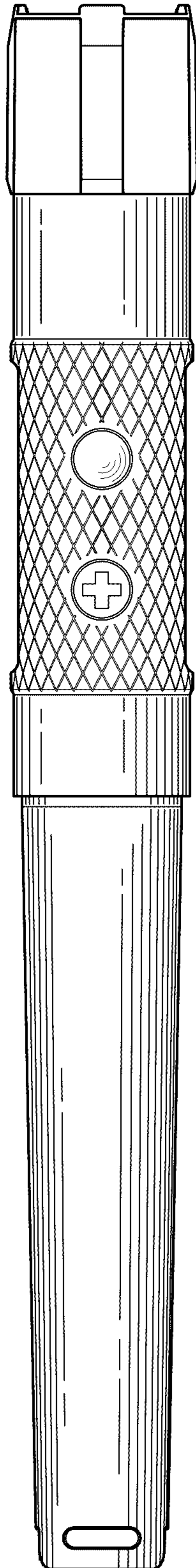


FIG. 4

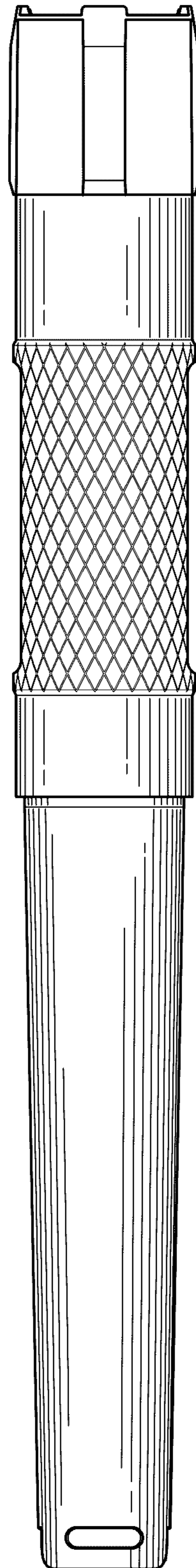


FIG. 5

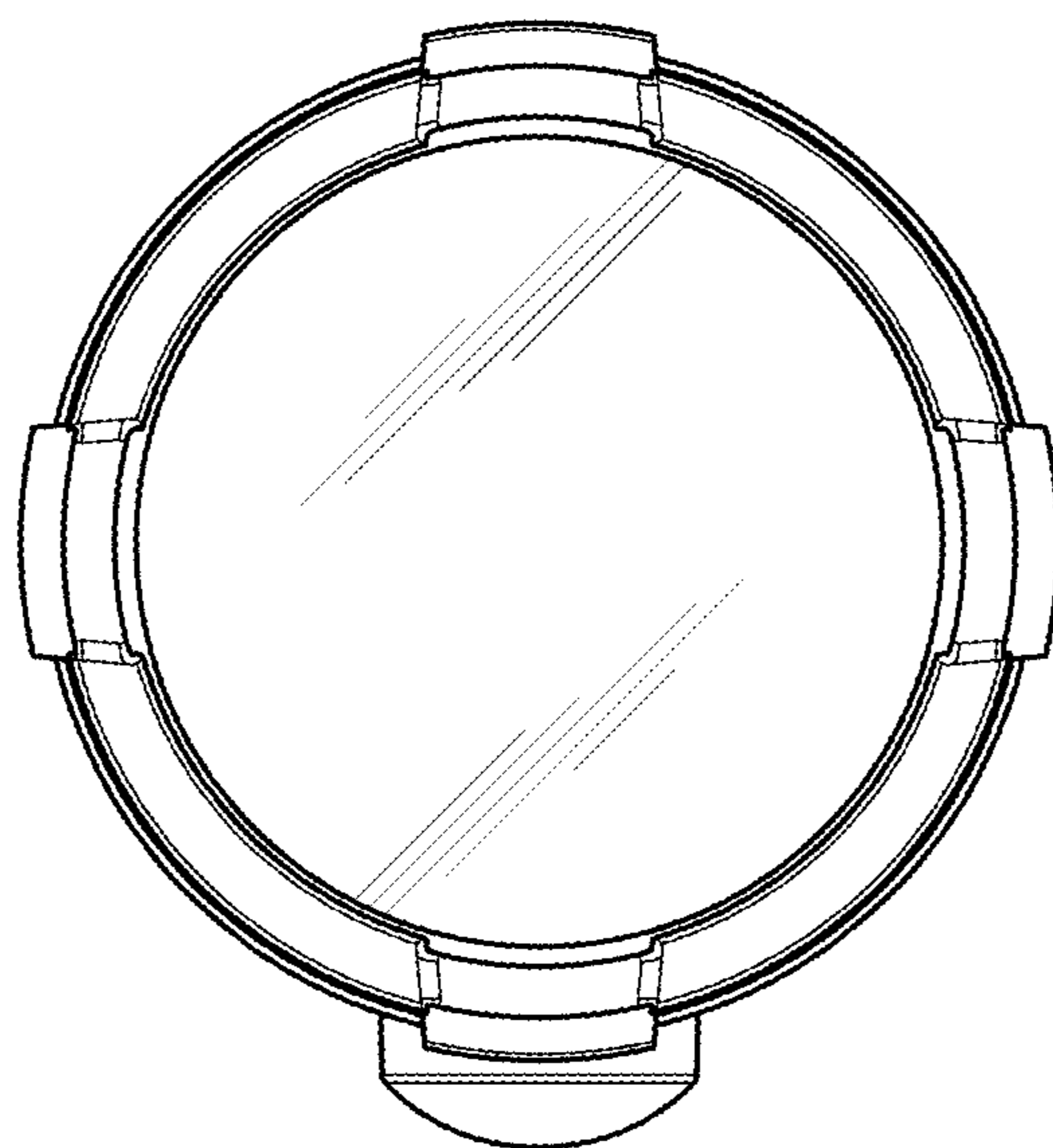


FIG. 6

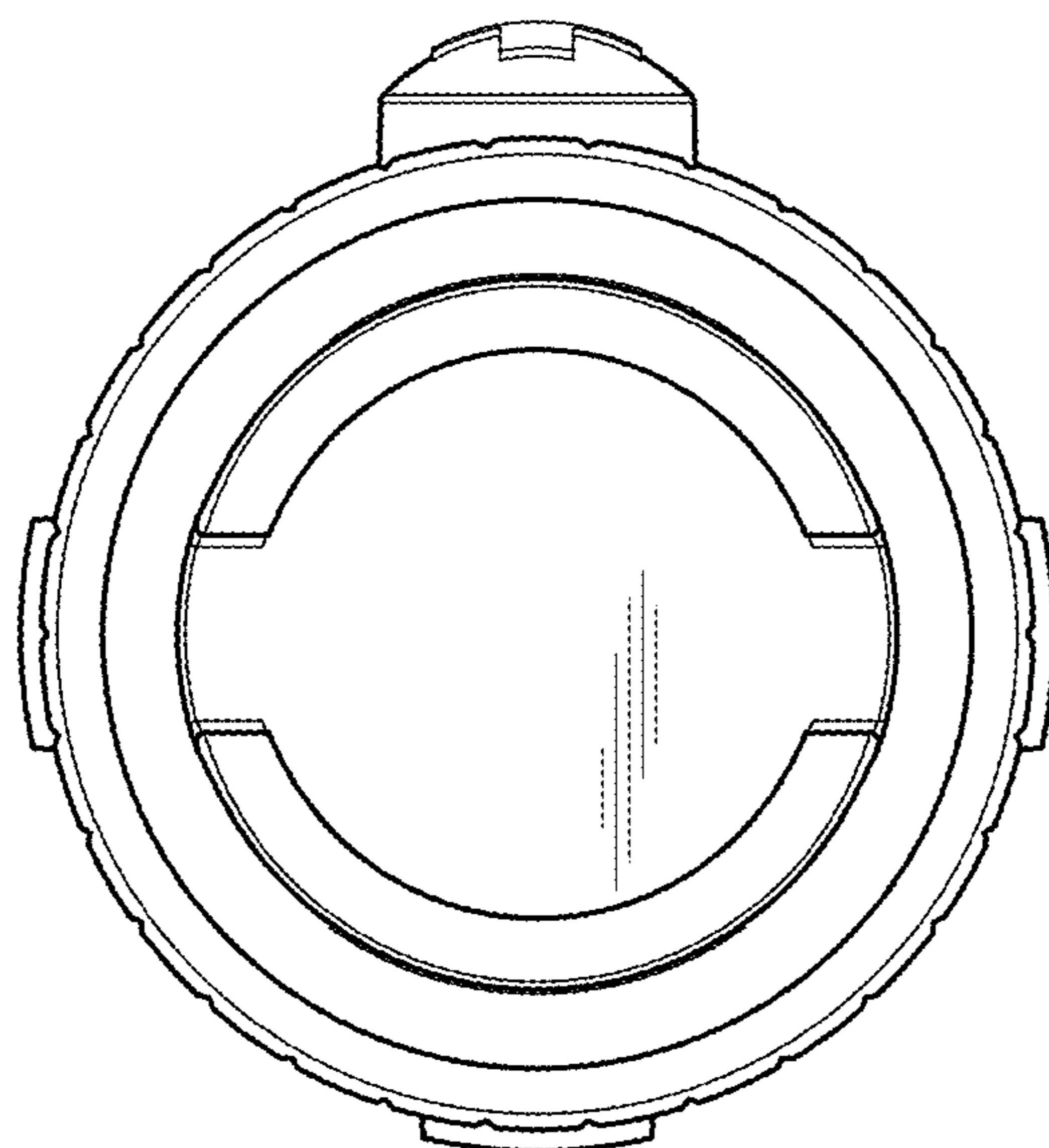


FIG. 7

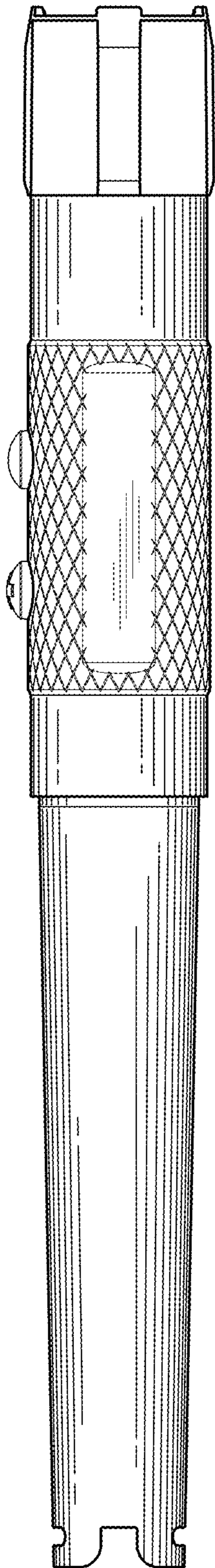


FIG. 8

