



US00D772455S

(12) **United States Design Patent**  
**Chen**

(10) **Patent No.:** **US D772,455 S**

(45) **Date of Patent:** **\*\* Nov. 22, 2016**

(54) **COMBINED FLASHLIGHT AND POWER BANK**

(71) Applicant: **Ningbo CStar Import & Export Co., Ltd.**, Ningbo, Zhejiang (CN)

(72) Inventor: **Pengcheng Chen**, Ningbo (CN)

(73) Assignee: **Ningbo CStar Import & Export Co., Ltd.** (CN)

(\*\*) Term: **14 Years**

(21) Appl. No.: **29/526,039**

(22) Filed: **May 5, 2015**

(51) **LOC (10) Cl.** ..... **26-02**

(52) **U.S. Cl.**  
USPC ..... **D26/49; D26/38**

(58) **Field of Classification Search**  
USPC ..... D26/37, 38, 46, 49, 51; 362/157, 158, 362/183, 184, 194-196, 202-208, 253; D13/103, 108

CPC ..... F21L 2003/00; F21L 4/00; F21L 4/005; F21L 4/02; F21L 4/025; F21L 4/027; F21L 4/04; F21L 4/08; F21L 2005/00; F21L 7/00; F21L 11/00; F21L 13/00; F21L 13/04; F21L 13/08; F21L 14/02; F21L 17/00; F21L 19/00; F21L 25/00

See application file for complete search history.

(56) **References Cited**

**U.S. PATENT DOCUMENTS**

D417,022 S \* 11/1999 Chiu ..... D26/49  
D465,045 S \* 10/2002 Yamamoto ..... D26/49  
D489,469 S \* 5/2004 Liou ..... D26/37

D577,449 S \* 9/2008 Shiu ..... D26/49  
D578,687 S \* 10/2008 Hong ..... D26/37  
D598,374 S \* 8/2009 Sasada ..... D13/108  
D637,748 S \* 5/2011 Caniparoli ..... D26/49  
D643,561 S \* 8/2011 Maglica ..... D26/49  
D645,181 S \* 9/2011 Garcia ..... D26/49  
D667,976 S \* 9/2012 Wu ..... D26/49  
D693,042 S \* 11/2013 Wu ..... D26/49  
D694,922 S \* 12/2013 Dai ..... D26/49  
D703,134 S \* 4/2014 Wong ..... D13/108  
D717,480 S \* 11/2014 Hsu ..... D26/49  
D730,282 S \* 5/2015 Miller ..... D13/103  
D739,973 S \* 9/2015 Chao ..... D13/108  
D749,044 S \* 2/2016 Huang ..... D13/108

\* cited by examiner

*Primary Examiner* — Ian Simmons  
*Assistant Examiner* — Carissa C Fitts

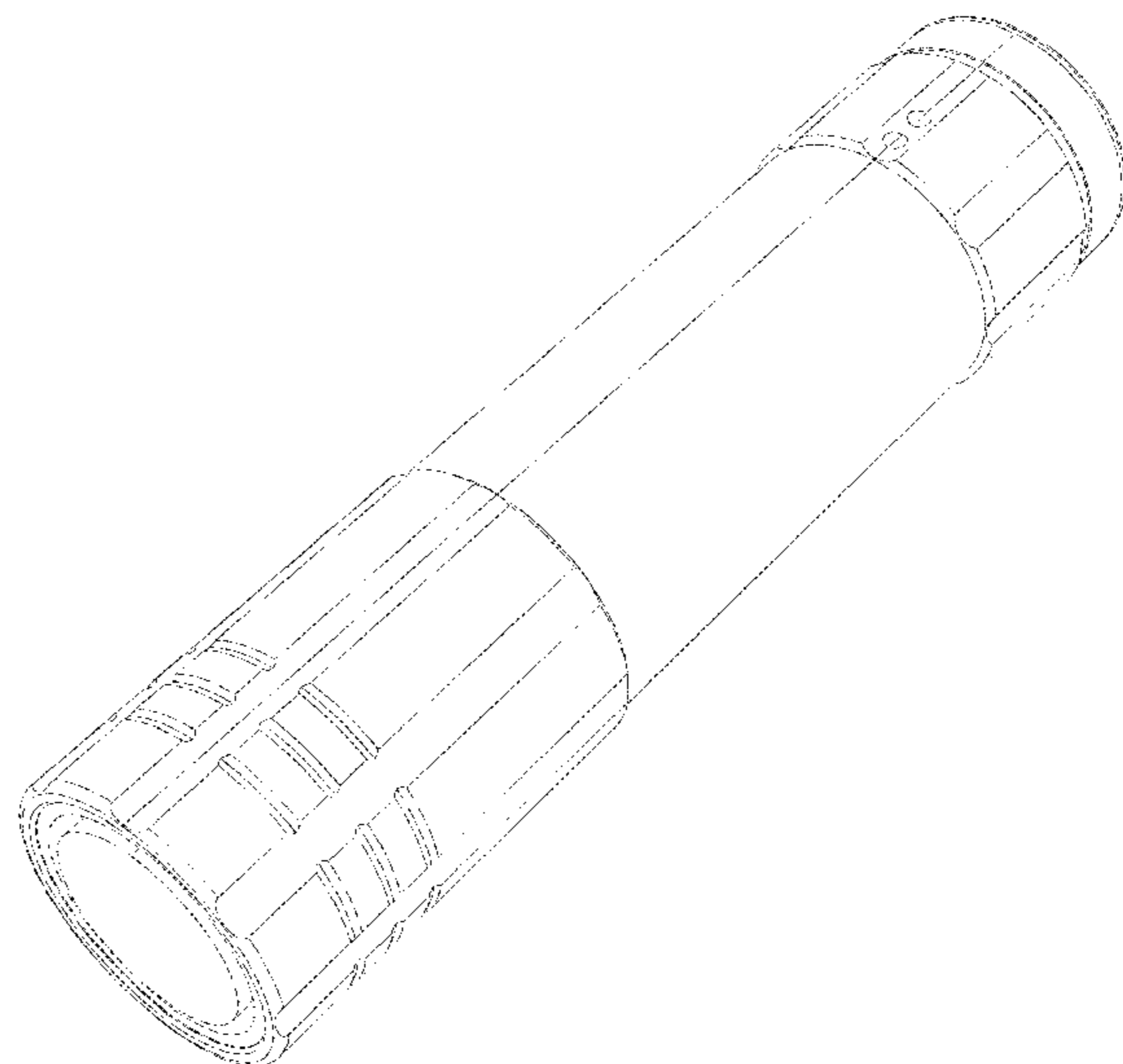
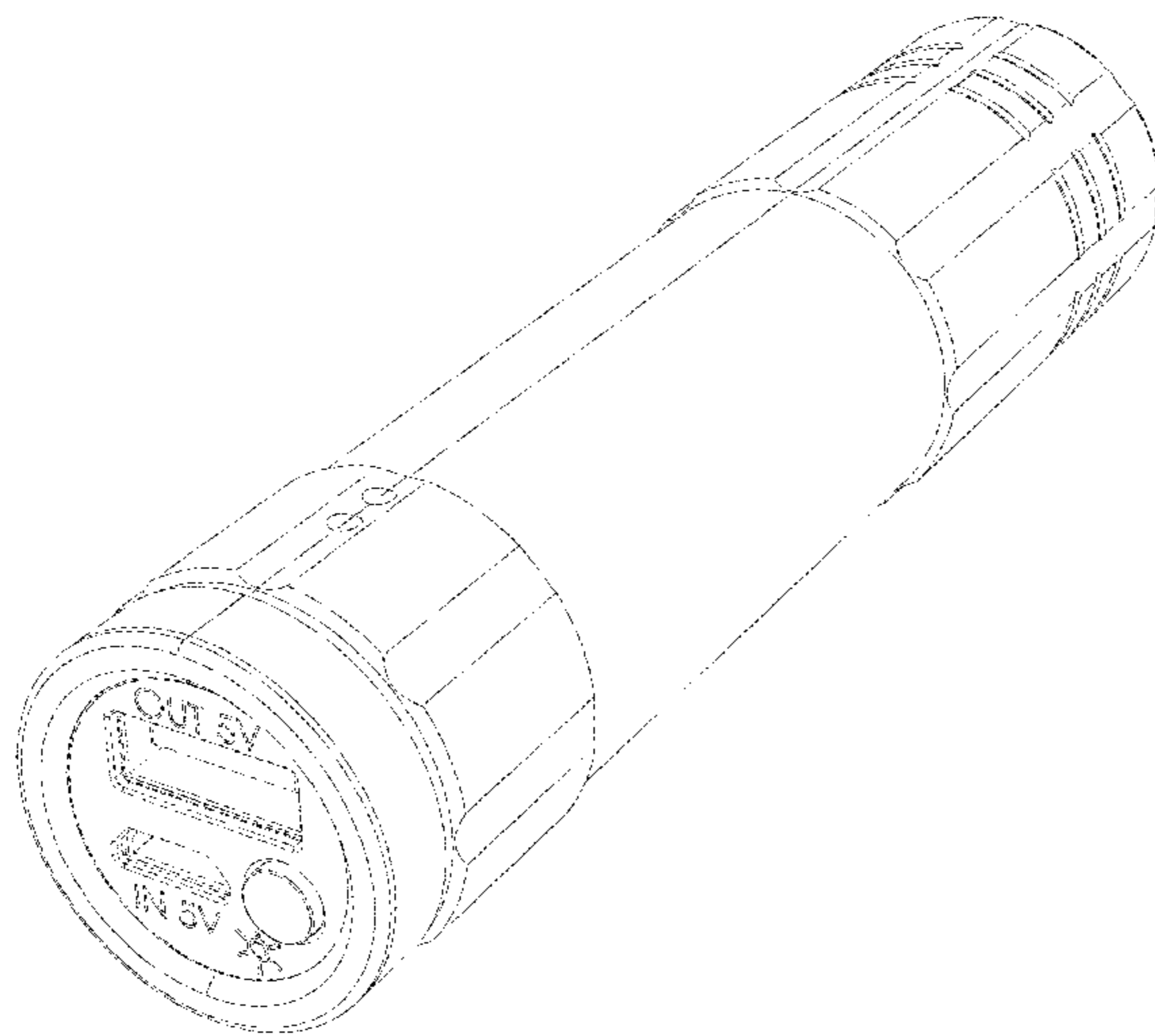
(57) **CLAIM**

The ornamental design for a combined flashlight and power bank, as shown and described.

**DESCRIPTION**

FIG. 1 is a perspective view of the combined flashlight and power bank showing my new design;  
FIG. 2 is a second perspective view of the combined flashlight and power bank;  
FIG. 3 is a front view thereof;  
FIG. 4 is a back view thereof;  
FIG. 5 is a left view thereof;  
FIG. 6 is a right view thereof;  
FIG. 7 is a top view thereof; and,  
FIG. 8 is a bottom view thereof.  
The broken line showing represents unclaimed portions of the article and forms no part of the claimed design.

**1 Claim, 8 Drawing Sheets**



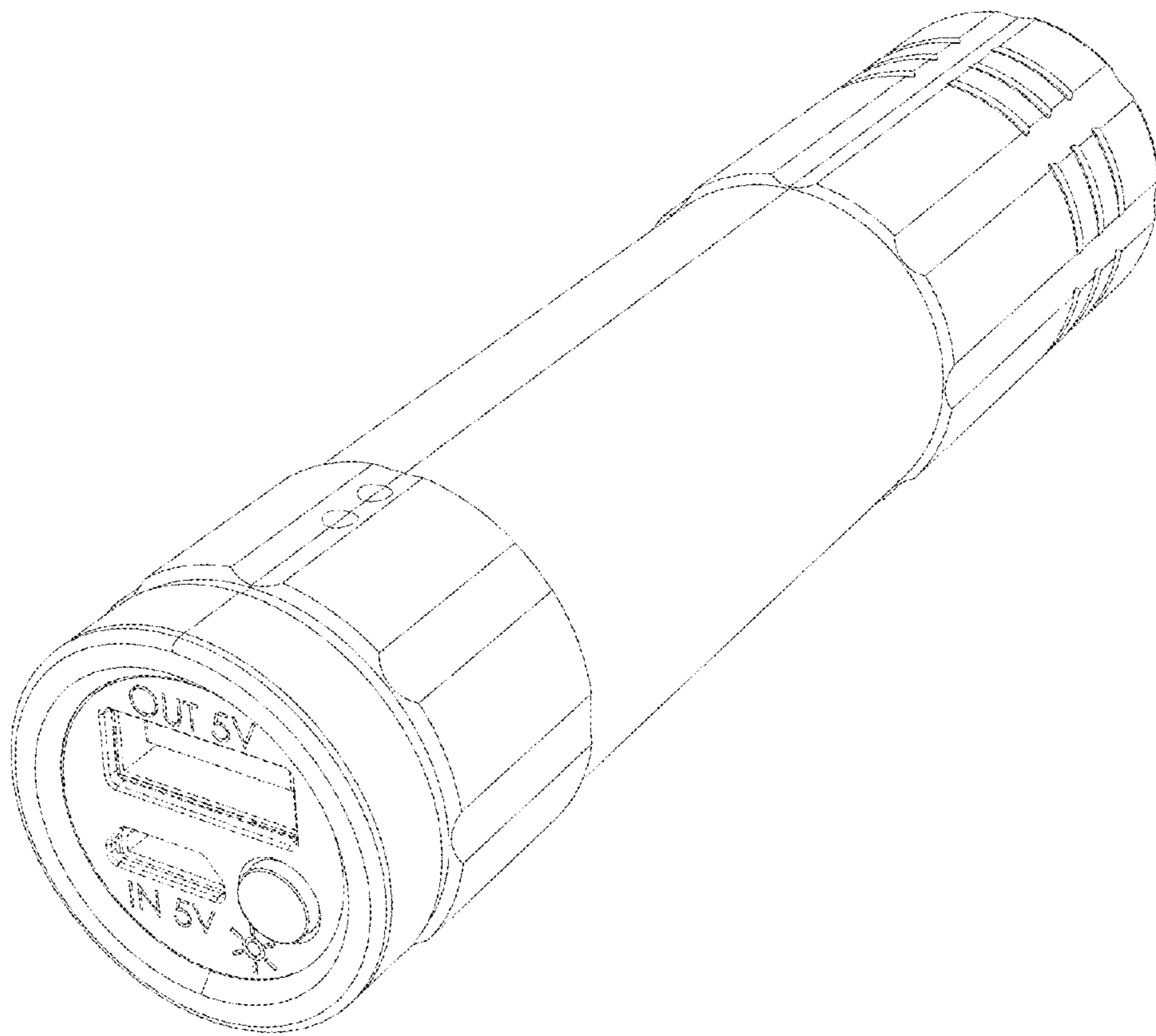


Fig. 1

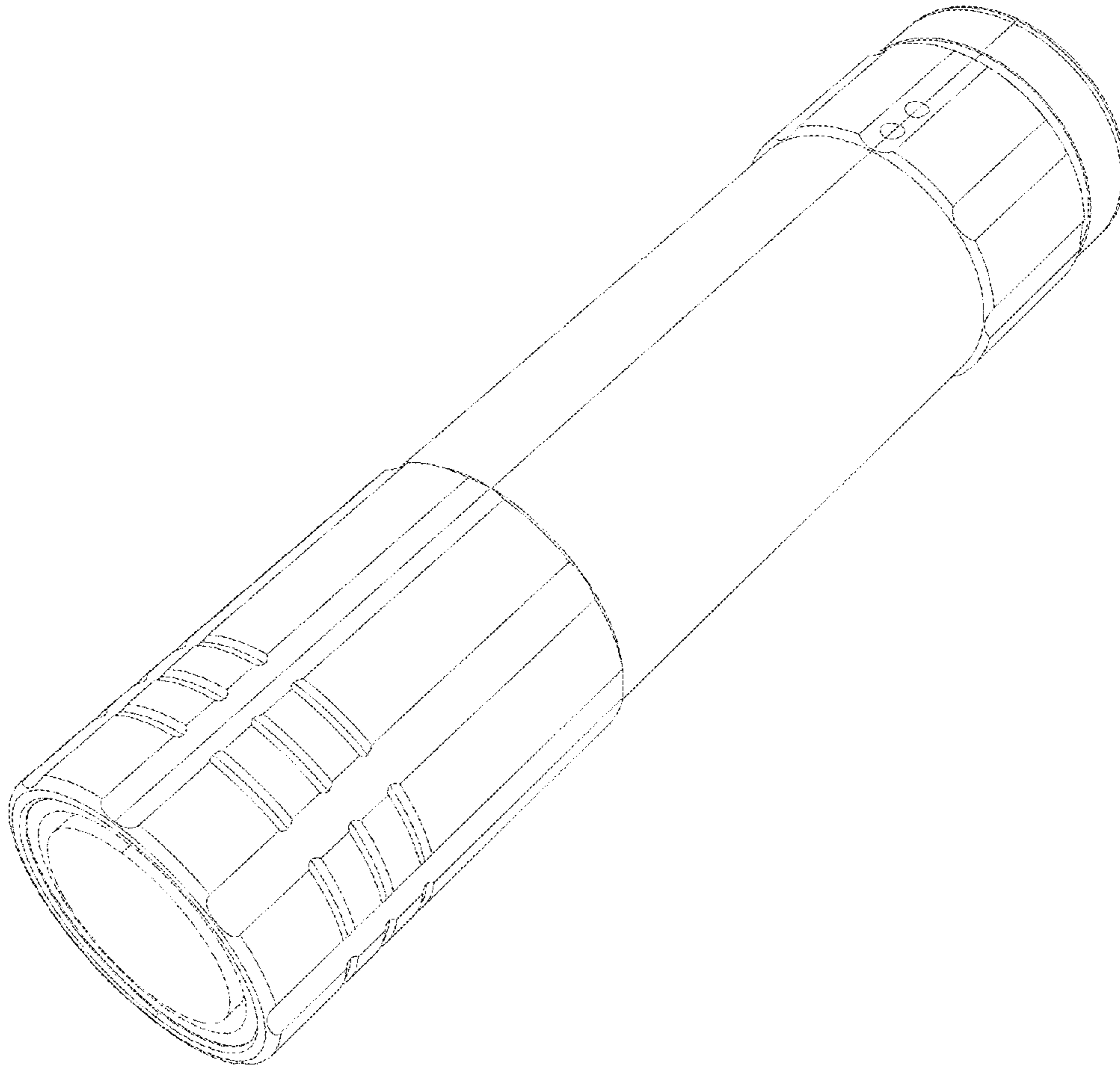


Fig. 2

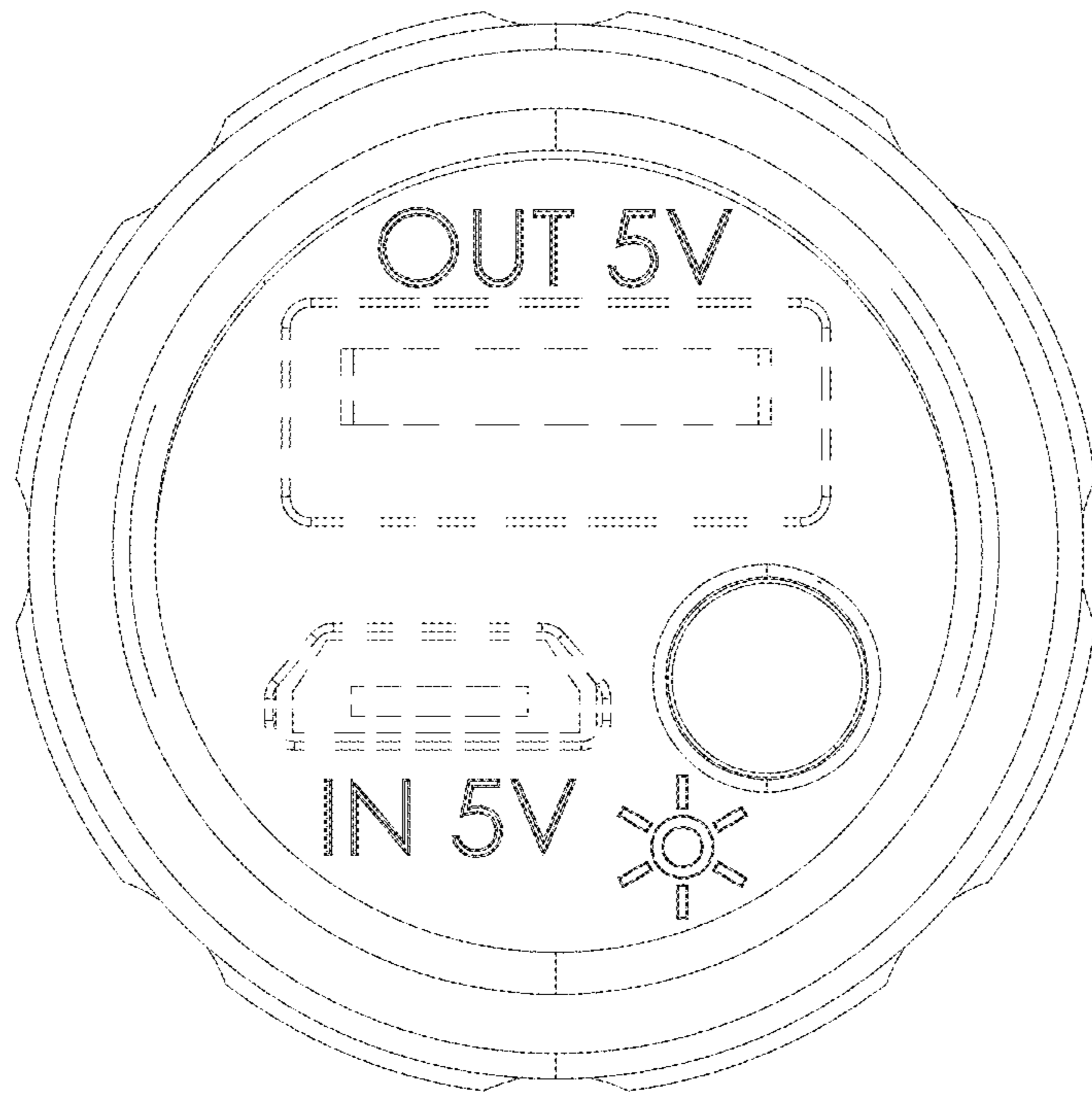


Fig. 3

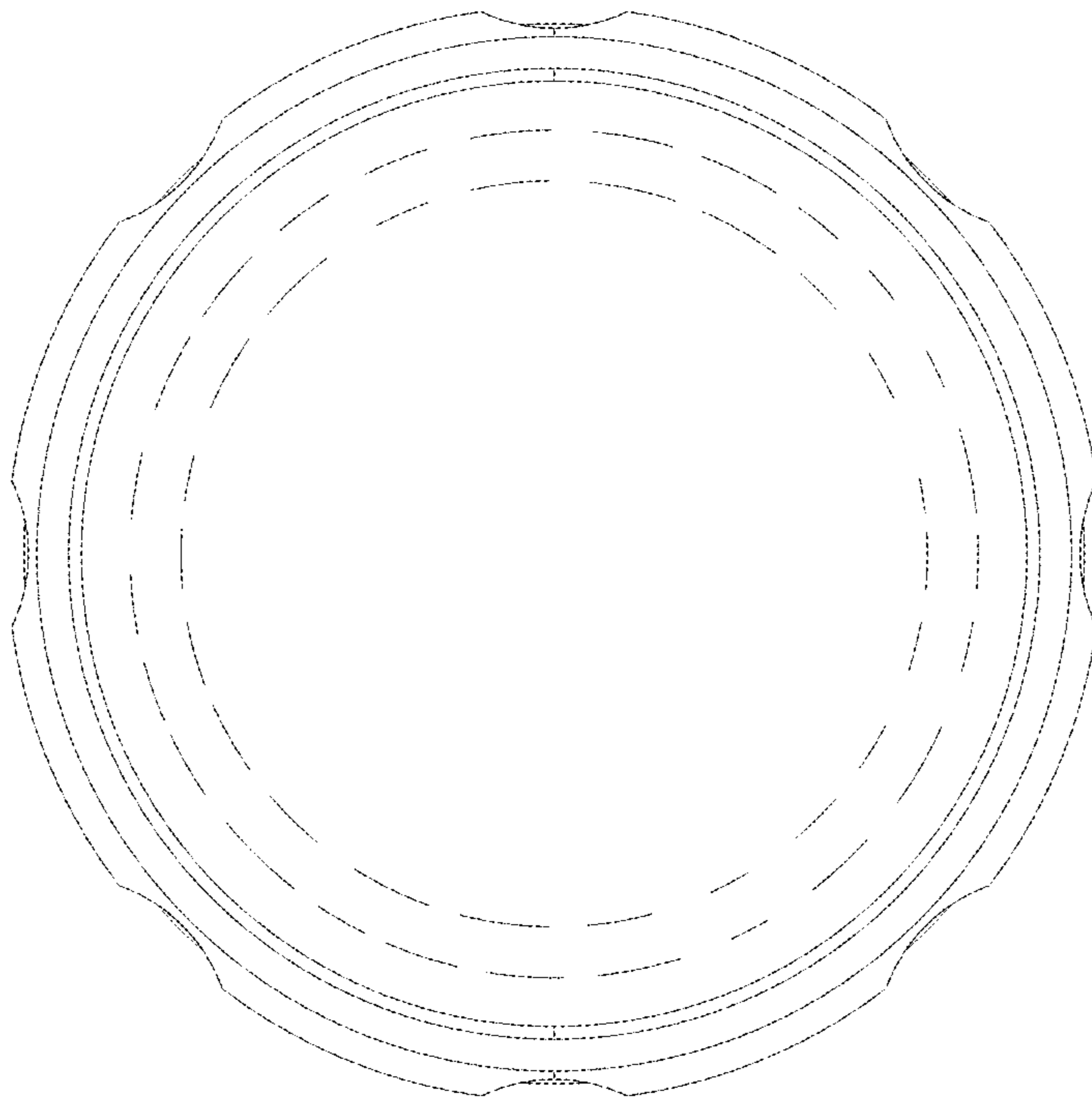


Fig. 4



Fig. 5



Fig. 6

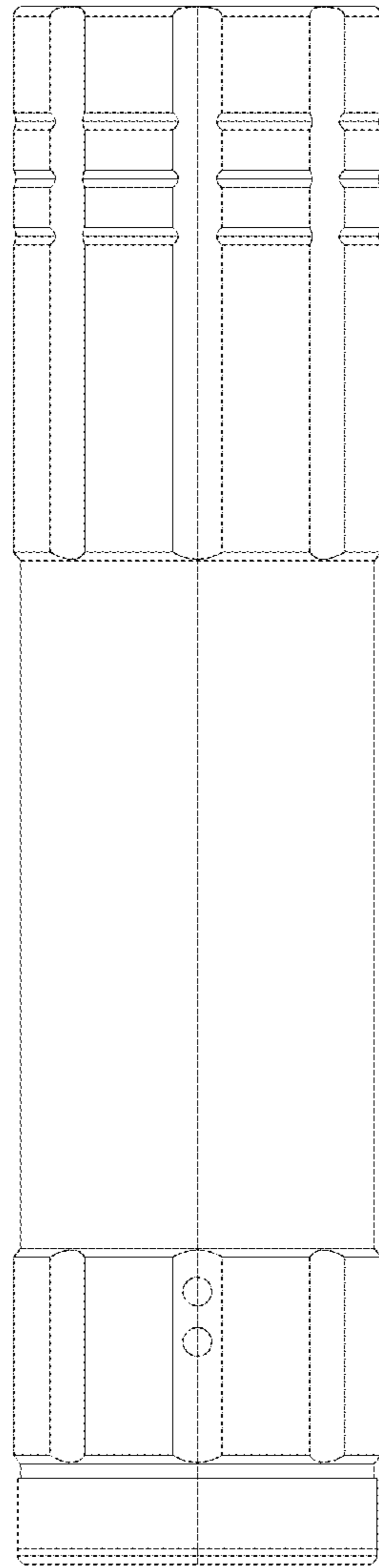


Fig. 7



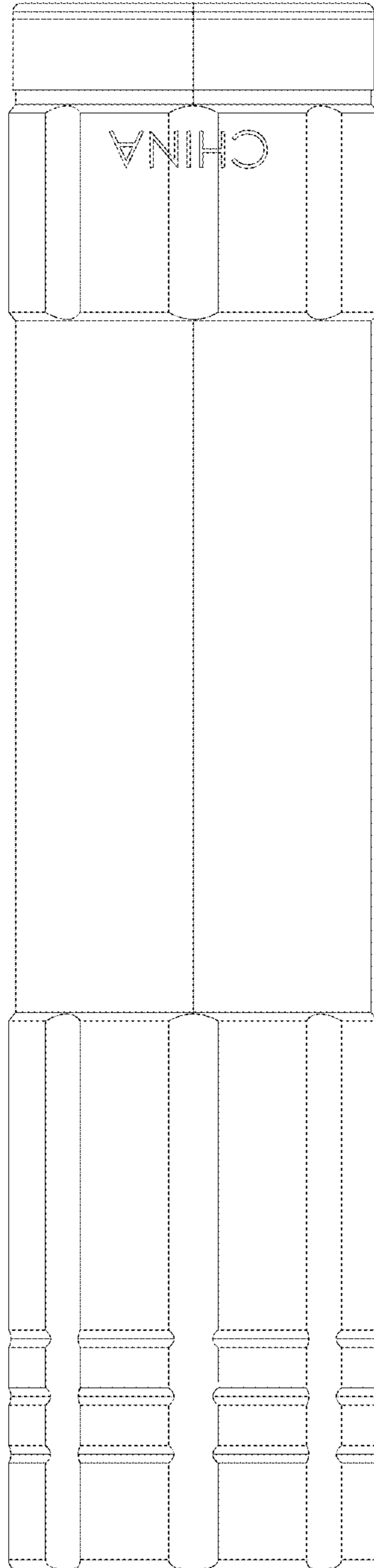


Fig. 8