



US00D772454S

(12) **United States Design Patent** (10) **Patent No.:** **US D772,454 S**  
**Ma** (45) **Date of Patent:** **\*\* Nov. 22, 2016**

(54) **WORK LIGHT FOR A VEHICLE**  
(71) Applicant: **Foshan Tuff Plus Auto Lighting Co., Ltd.**, Foshan, Guangdong (CN)  
(72) Inventor: **Yong Ma**, Guangdong (CN)  
(73) Assignee: **Foshan Tuff Plus Auto Lighting Co., Ltd.**, Foshan, Guangdong (CN)  
(\*\*) Term: **15 Years**  
(21) Appl. No.: **29/538,733**  
(22) Filed: **Sep. 8, 2015**  
(51) **LOC (10) Cl.** ..... **26-06**  
(52) **U.S. Cl.**  
USPC ..... **D26/31**  
(58) **Field of Classification Search**  
USPC ..... D26/28-36; 362/61, 80-83, 267-269, 362/459-468, 475-478, 485-487  
CPC ..... F21S 48/00; F21S 48/10; F21S 48/115; F21S 48/225; F21S 48/1233; F21S 48/1266; F21S 48/1388; F21S 48/2268; F21V 21/04  
See application file for complete search history.

D576,754 S \* 9/2008 Wang ..... D26/31  
D653,783 S \* 2/2012 Biro ..... D26/31  
D656,258 S \* 3/2012 Georgitsis ..... D26/31  
D676,990 S \* 2/2013 Adams ..... D26/31

\* cited by examiner

*Primary Examiner* — Marcus Jackson  
(74) *Attorney, Agent, or Firm* — Sand & Sebolt

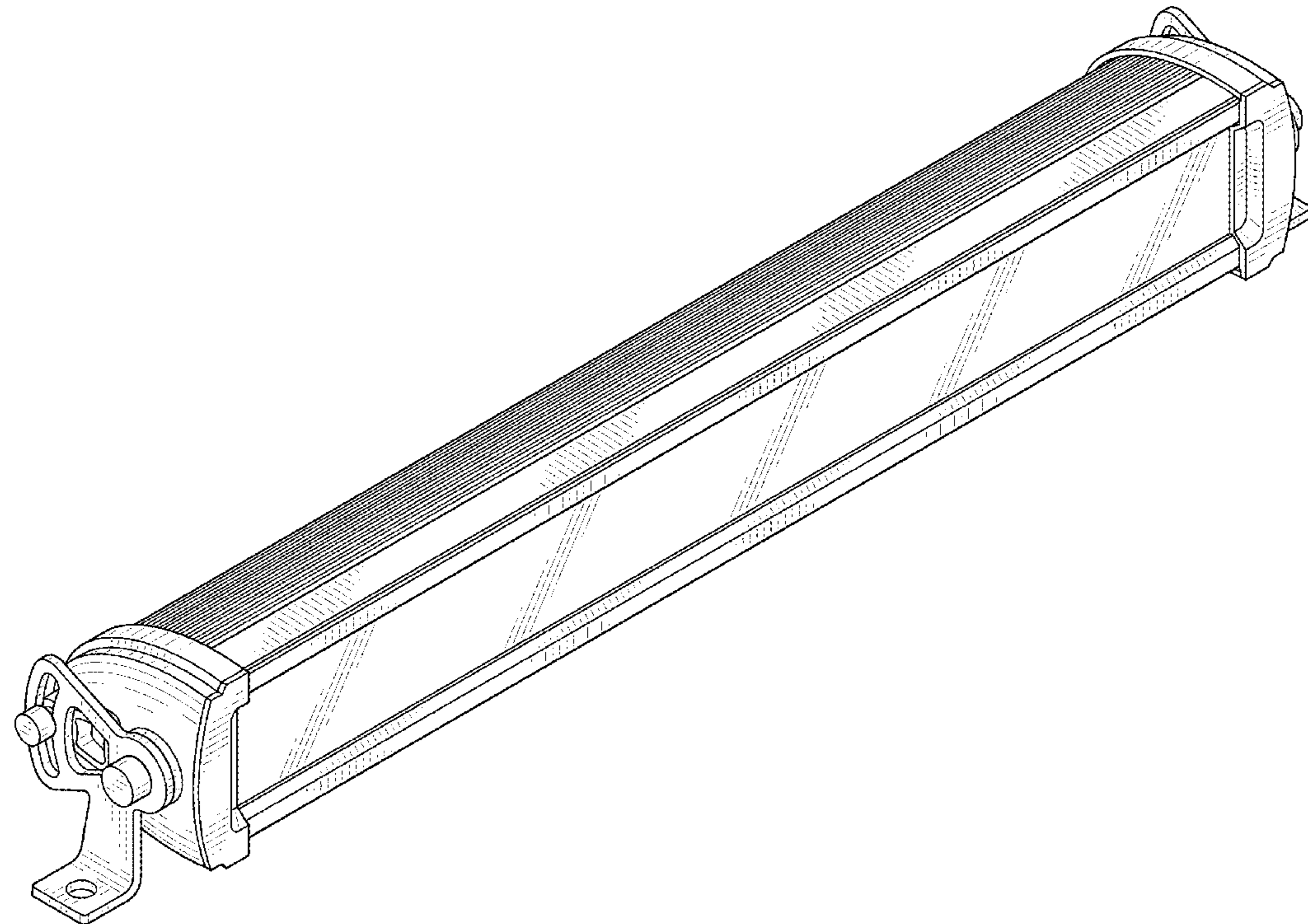
(57) **CLAIM**  
The ornamental design for a work light for a vehicle, as shown and described.

**DESCRIPTION**

FIG. 1 is an isometric perspective view of a work light for a vehicle in accordance with my design;  
FIG. 2 is a front elevation thereof;  
FIG. 3 is a rear elevation thereof;  
FIG. 4 is a top plan view thereof;  
FIG. 5 is a bottom plan view thereof;  
FIG. 6 is an enlarged left side elevation thereof;  
FIG. 7 is an enlarged right side elevation thereof; and,  
FIG. 8 is an enlarged cross-sectional view taken along line 8-8 of FIG. 2.  
The broken lines illustrate portions of the work light for a vehicle which form no part of the claimed design.

(56) **References Cited**  
**U.S. PATENT DOCUMENTS**  
D499,198 S \* 11/2004 Cowan ..... D26/31  
D526,430 S \* 8/2006 Hernandez ..... D26/31

**1 Claim, 5 Drawing Sheets**



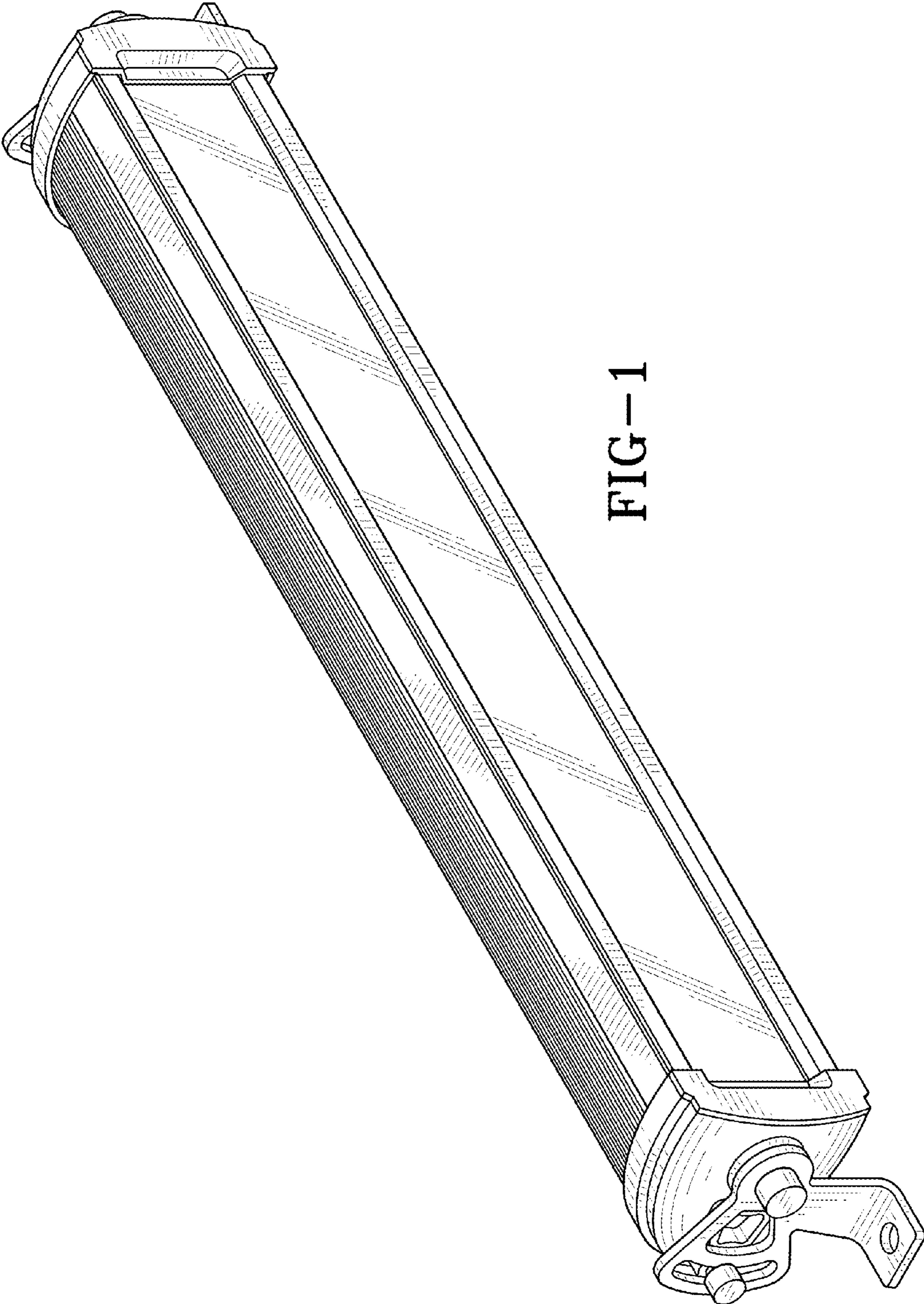
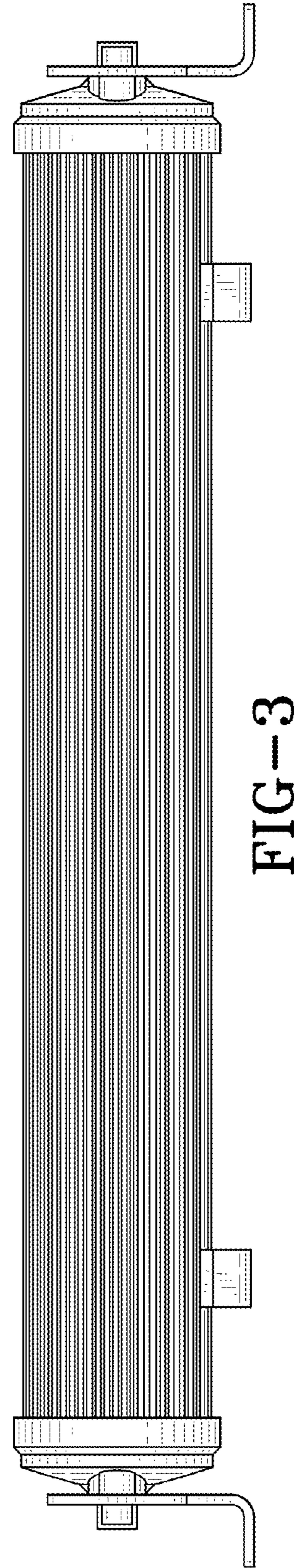
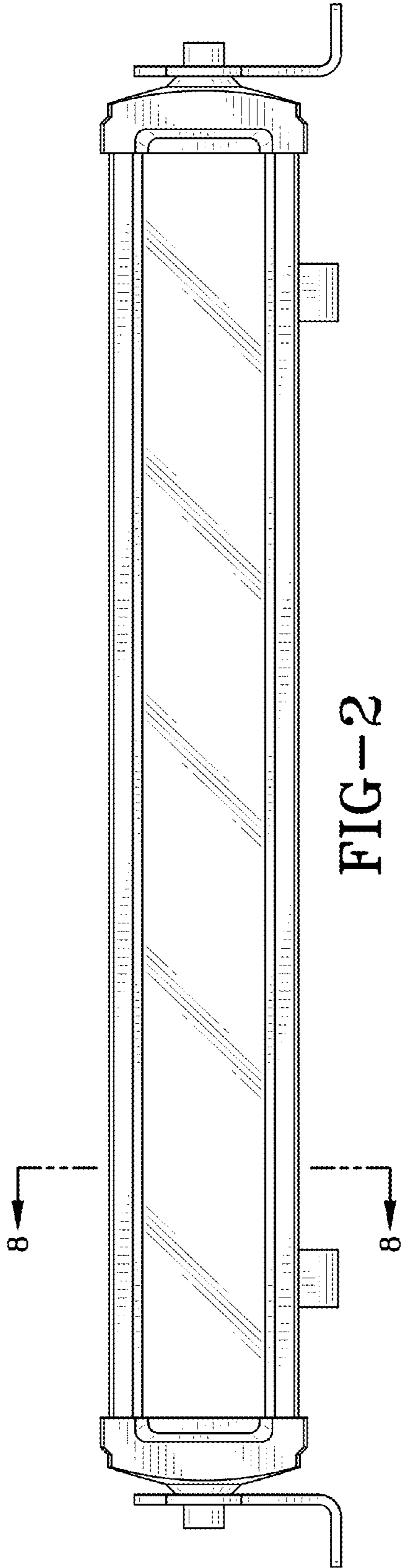


FIG-1





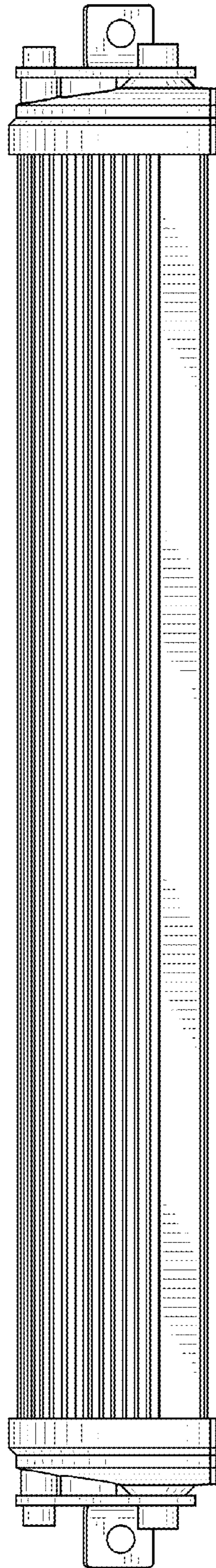


FIG-4

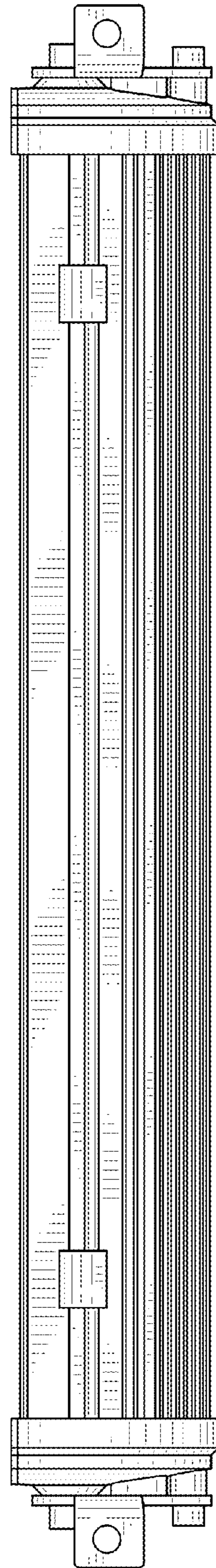


FIG-5

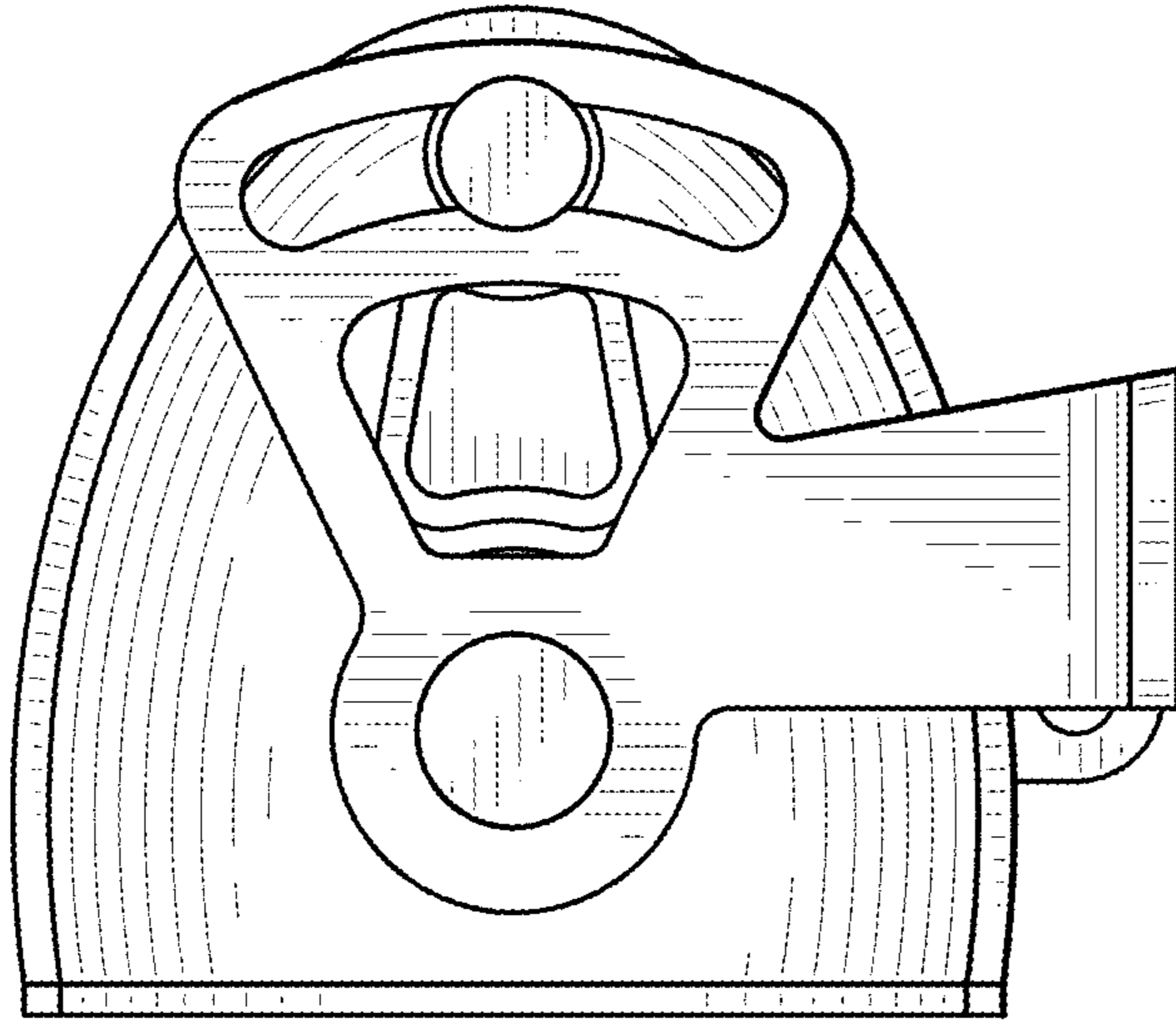


FIG-7

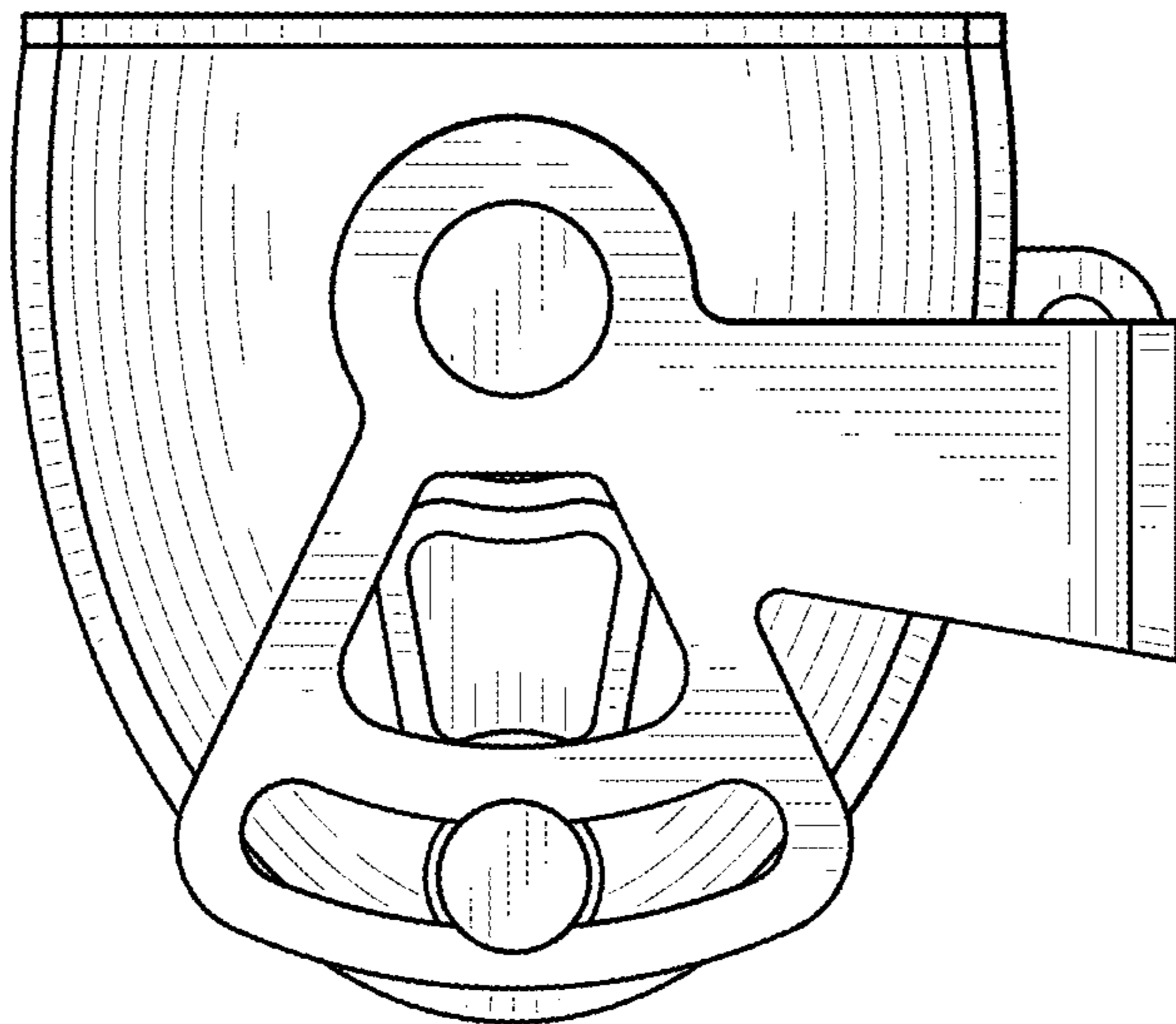


FIG-6



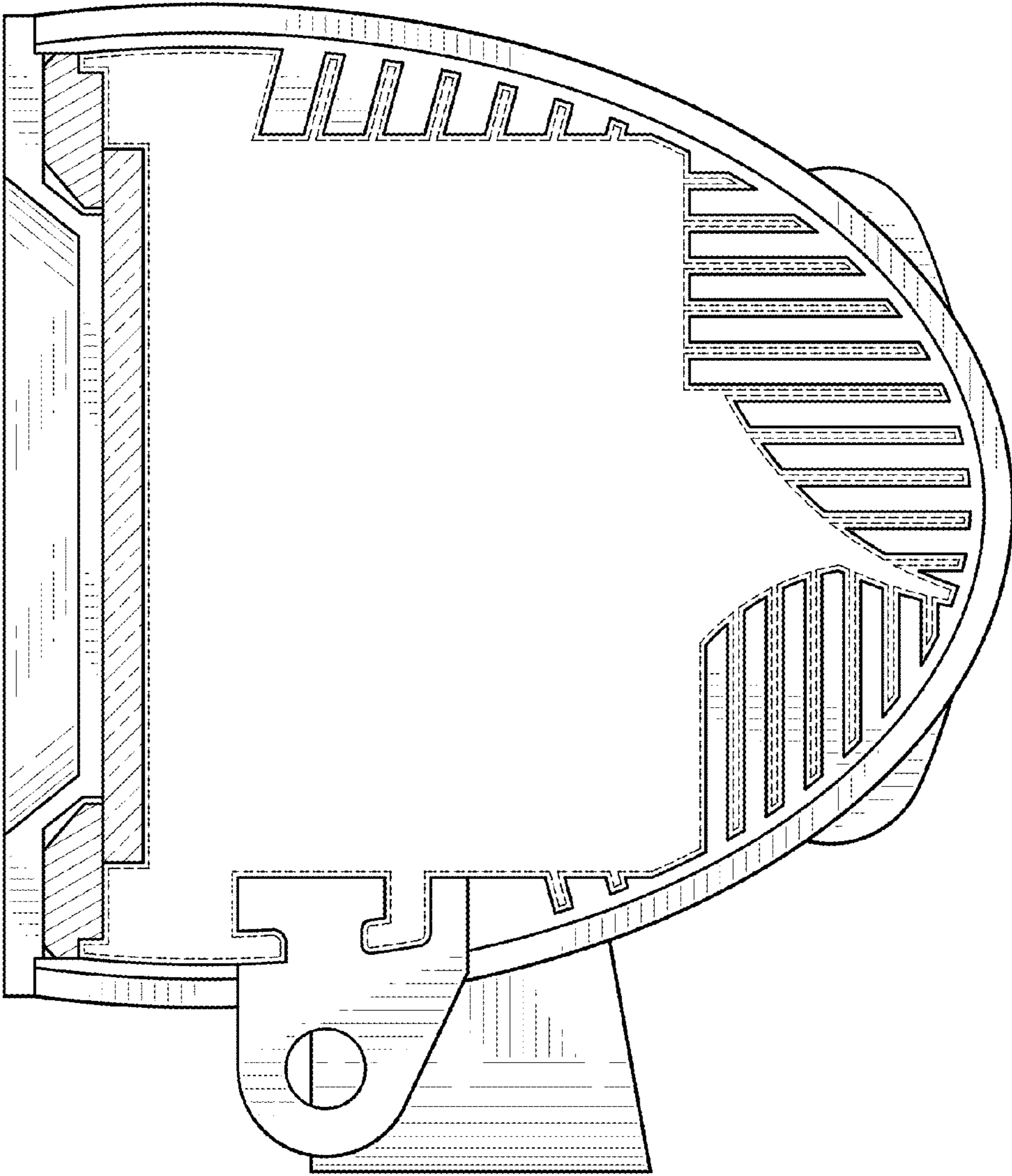


FIG-8