



US00D772450S

(12) **United States Design Patent** (10) **Patent No.:** **US D772,450 S**  
**Ma** (45) **Date of Patent:** **\*\* Nov. 22, 2016**

(54) **LIGHT FOR A VEHICLE**

D564,683 S \* 3/2008 Roach ..... D26/28  
D570,009 S \* 5/2008 Kani ..... D26/28  
D574,978 S \* 8/2008 Hyodo ..... D26/28

(71) Applicant: **Foshan Tuff Plus Auto Lighting Co., Ltd.**, Foshan, Guangdong (CN)

\* cited by examiner

(72) Inventor: **Yong Ma**, Guangdong (CN)

*Primary Examiner* — Marcus Jackson

(73) Assignee: **Foshan Tuff Plus Auto Lighting Co., Ltd.**, Foshan, Guangdong (CN)

(74) *Attorney, Agent, or Firm* — Sand & Sebolt

(\*\*) Term: **15 Years**

(21) Appl. No.: **29/539,469**

(57) **CLAIM**

The ornamental design for a light for a vehicle, as shown and described.

(22) Filed: **Sep. 15, 2015**

(51) **LOC (10) Cl.** ..... **26-06**

(52) **U.S. Cl.**  
USPC ..... **D26/28**

**DESCRIPTION**

(58) **Field of Classification Search**  
USPC ..... D26/28-36; 362/61, 80-83, 267-269,  
362/459-468, 475-478, 485-487  
CPC ..... F21S 48/00; F21S 48/10; F21S 48/115;  
F21S 48/225; F21S 48/1233; F21S 48/1266;  
F21S 48/1388; F21S 48/2268; F21V 5/00  
See application file for complete search history.

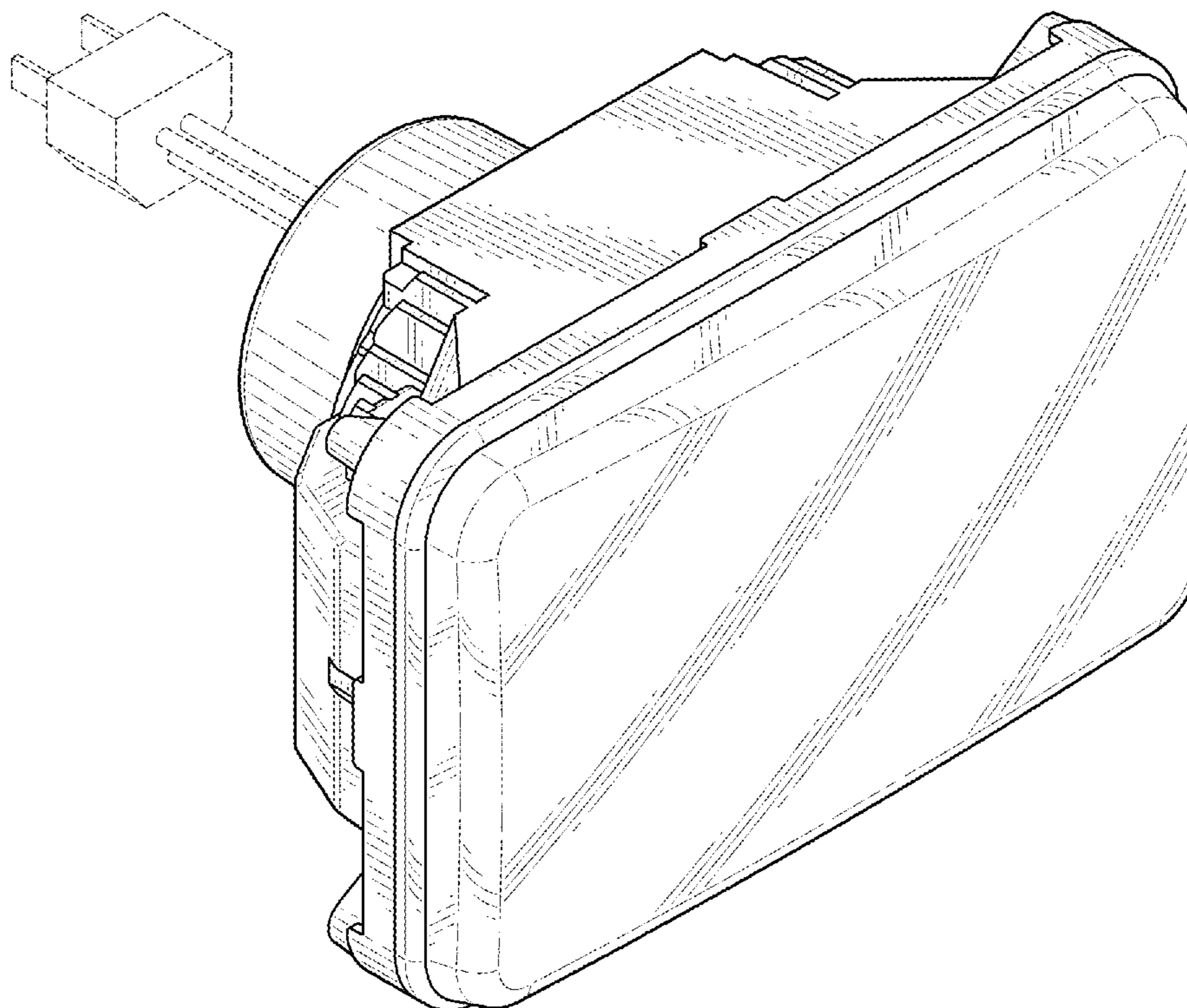
FIG. 1 is an isometric perspective view of a light for a vehicle in accordance with my design;  
FIG. 2 is a front elevation thereof;  
FIG. 3 is a rear elevation thereof;  
FIG. 4 is a top plan view thereof;  
FIG. 5 is a bottom plan view thereof;  
FIG. 6 is a left side elevation thereof; and,  
FIG. 7 is a right side elevation thereof.  
The broken lines illustrate portions of the light for a vehicle which form no part of the claimed design.

(56) **References Cited**

**U.S. PATENT DOCUMENTS**

D490,172 S \* 5/2004 Yamamoto ..... D26/28  
D554,279 S \* 10/2007 Jeffries ..... D26/28

**1 Claim, 7 Drawing Sheets**



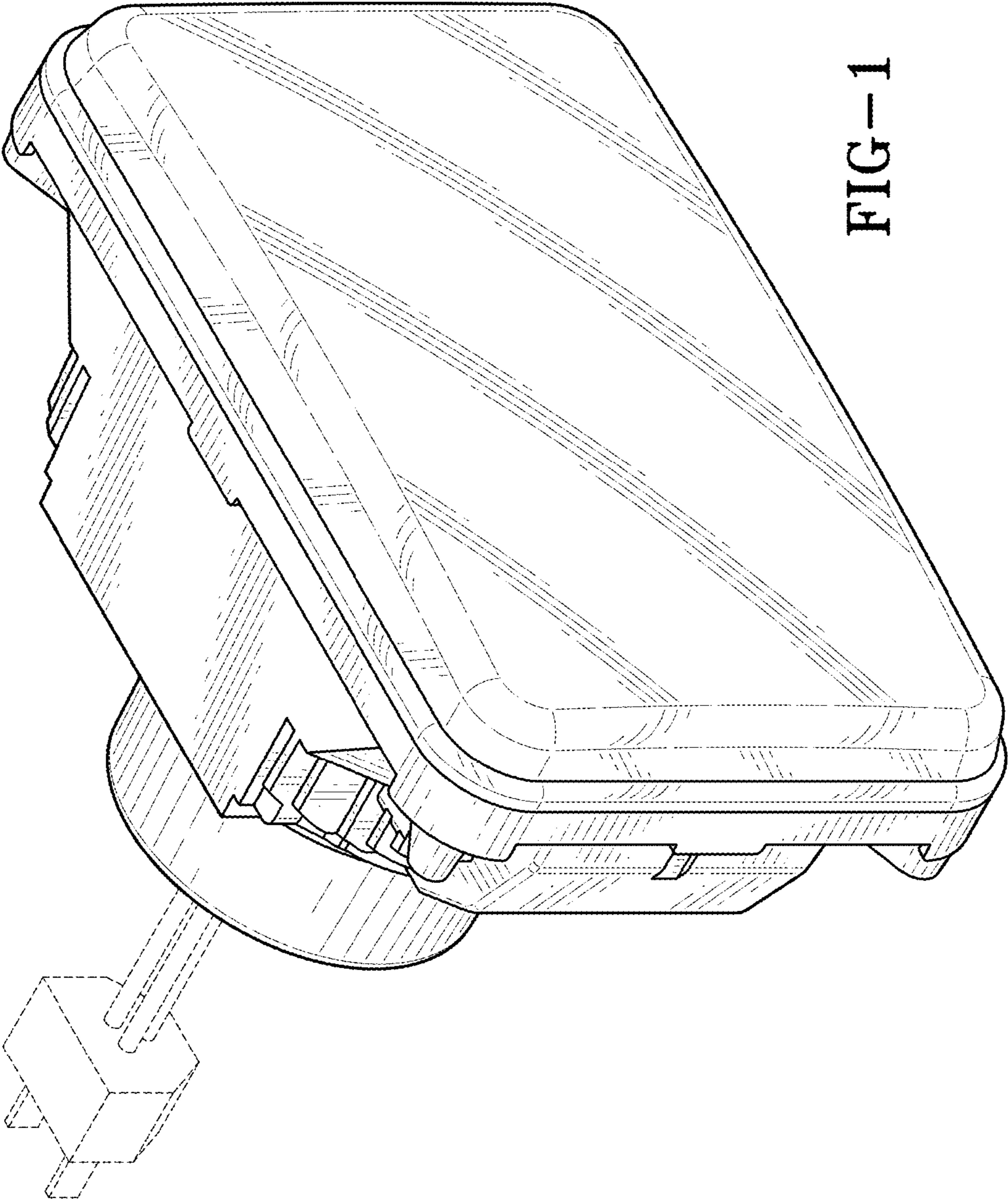


FIG-1

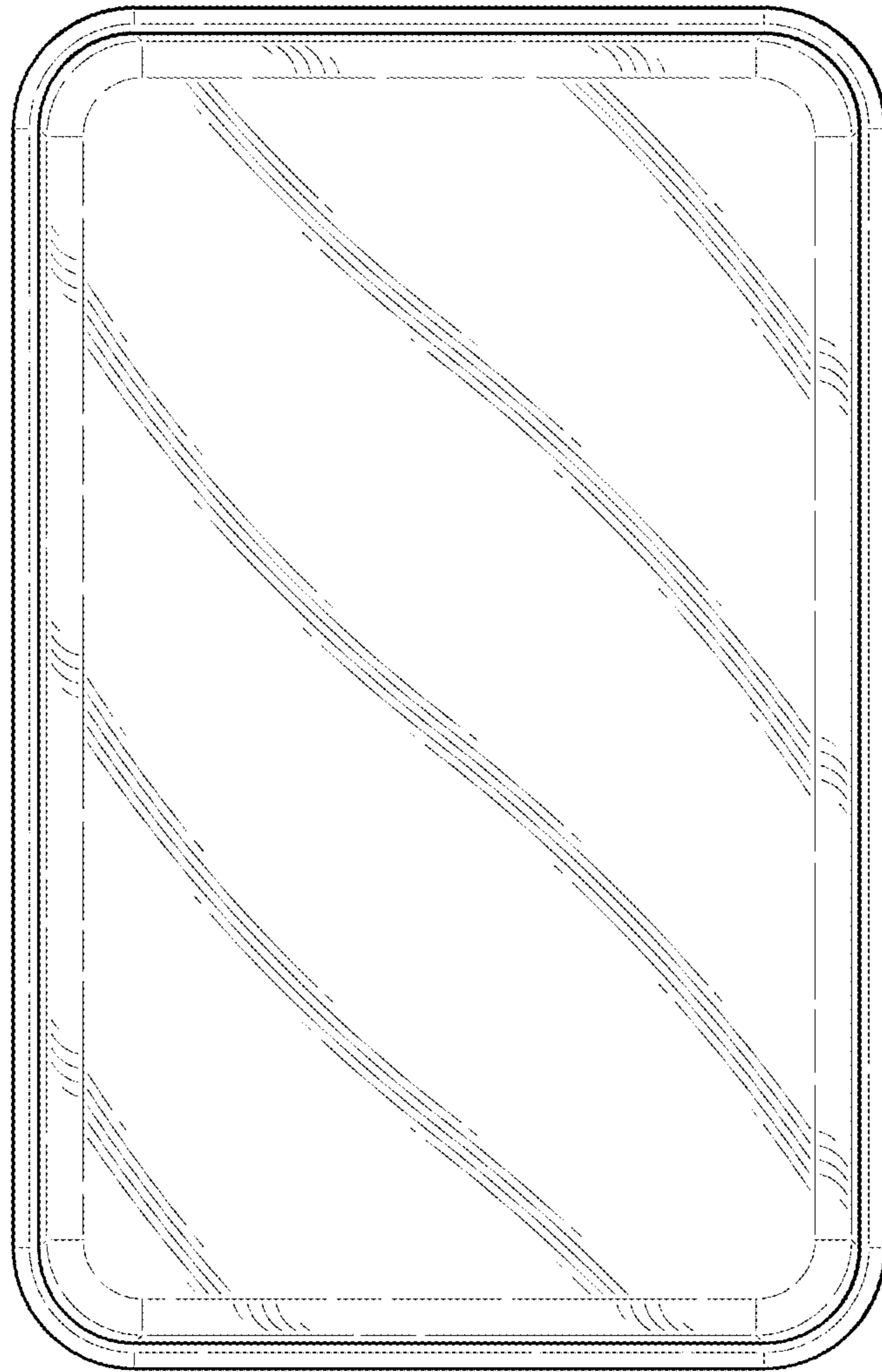


FIG-2

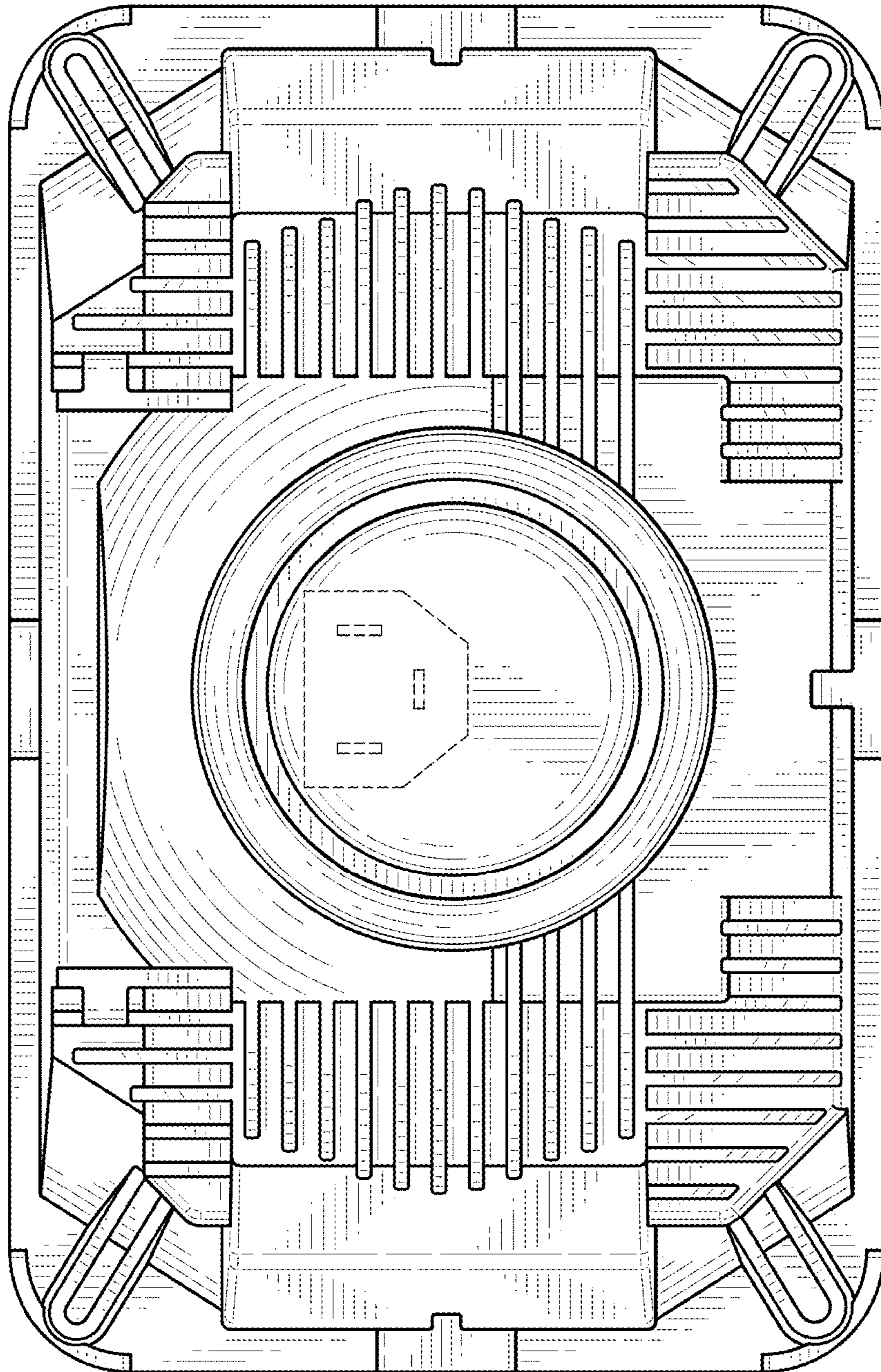


FIG-3

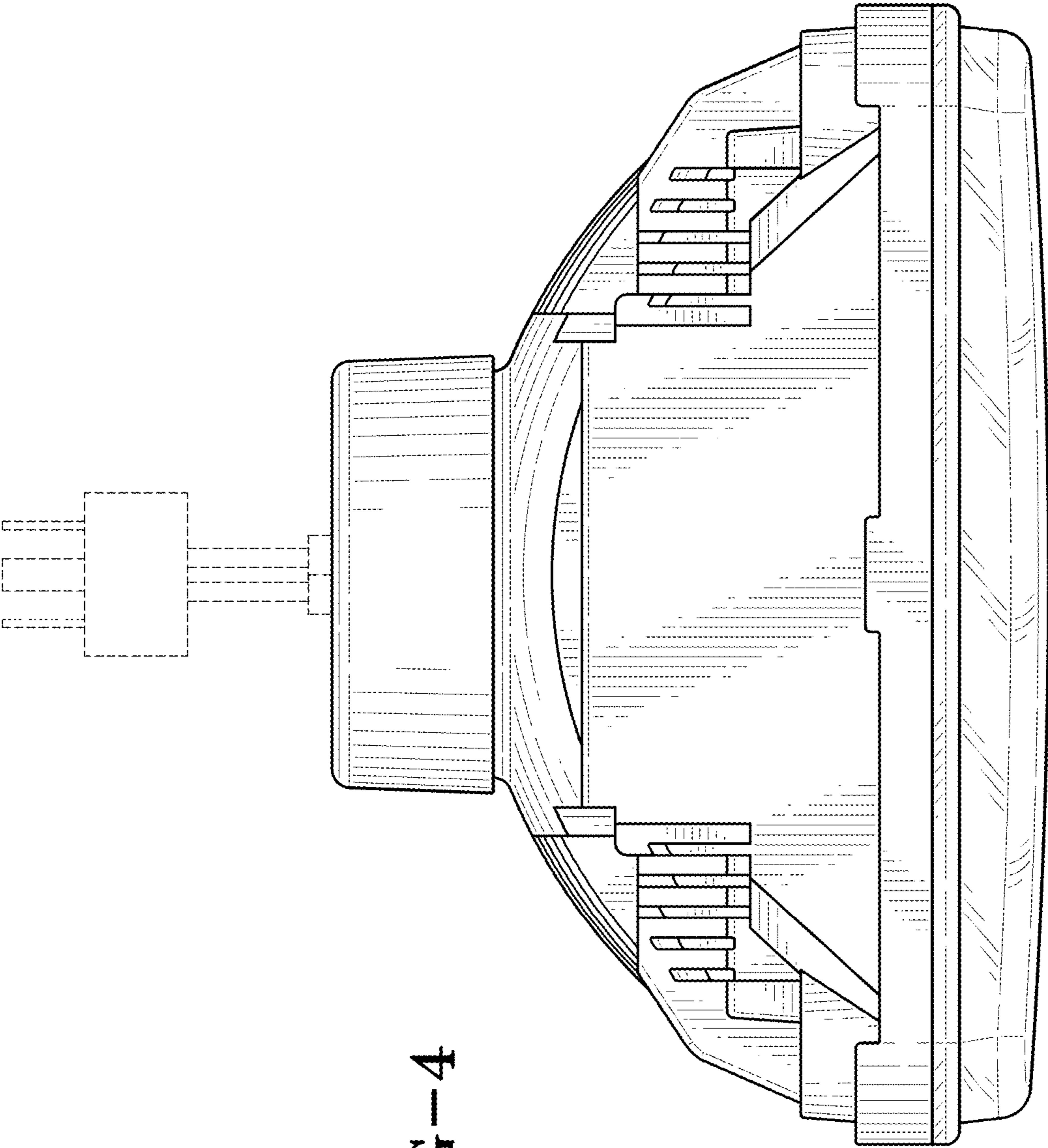


FIG--4

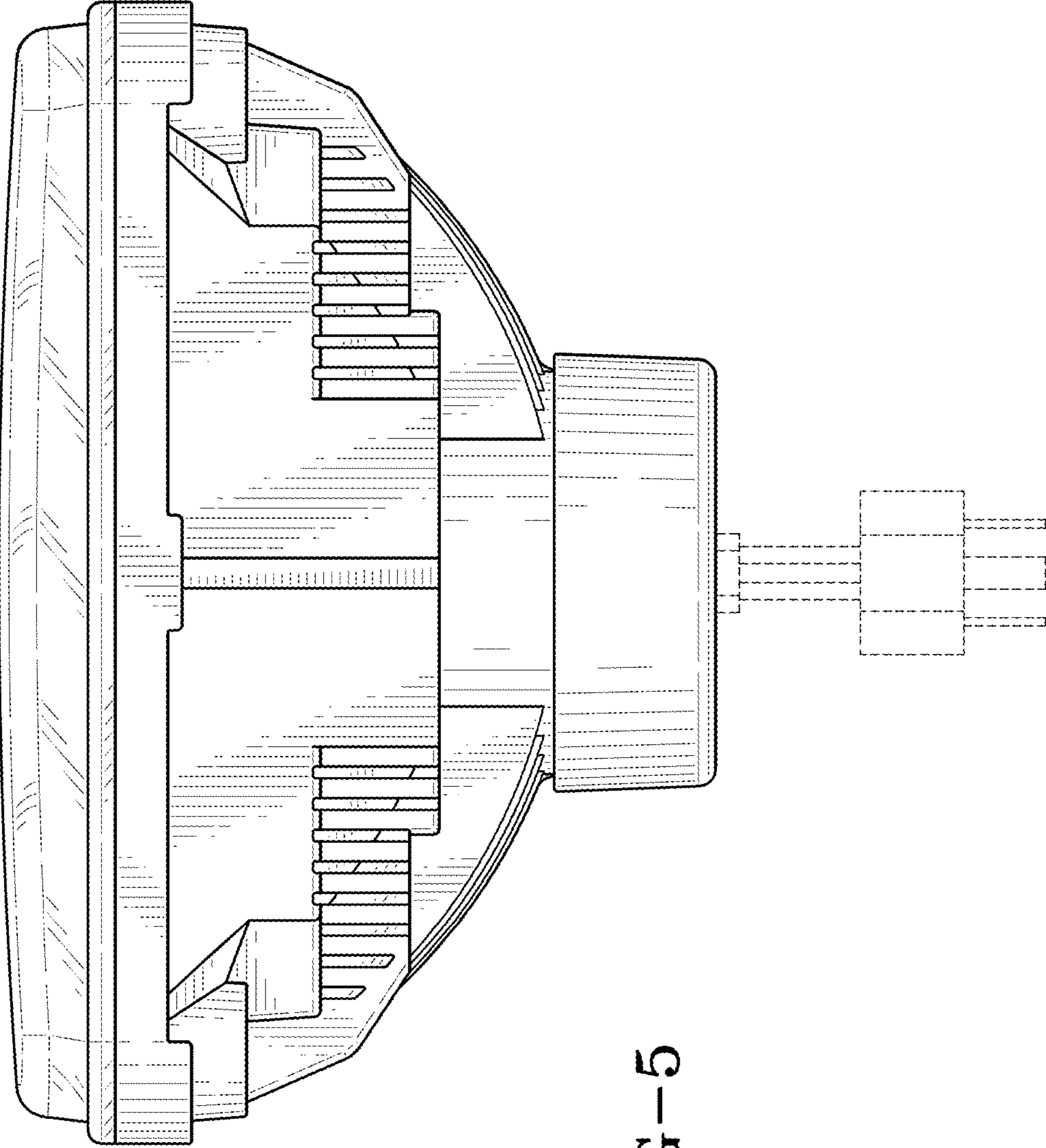


FIG-5

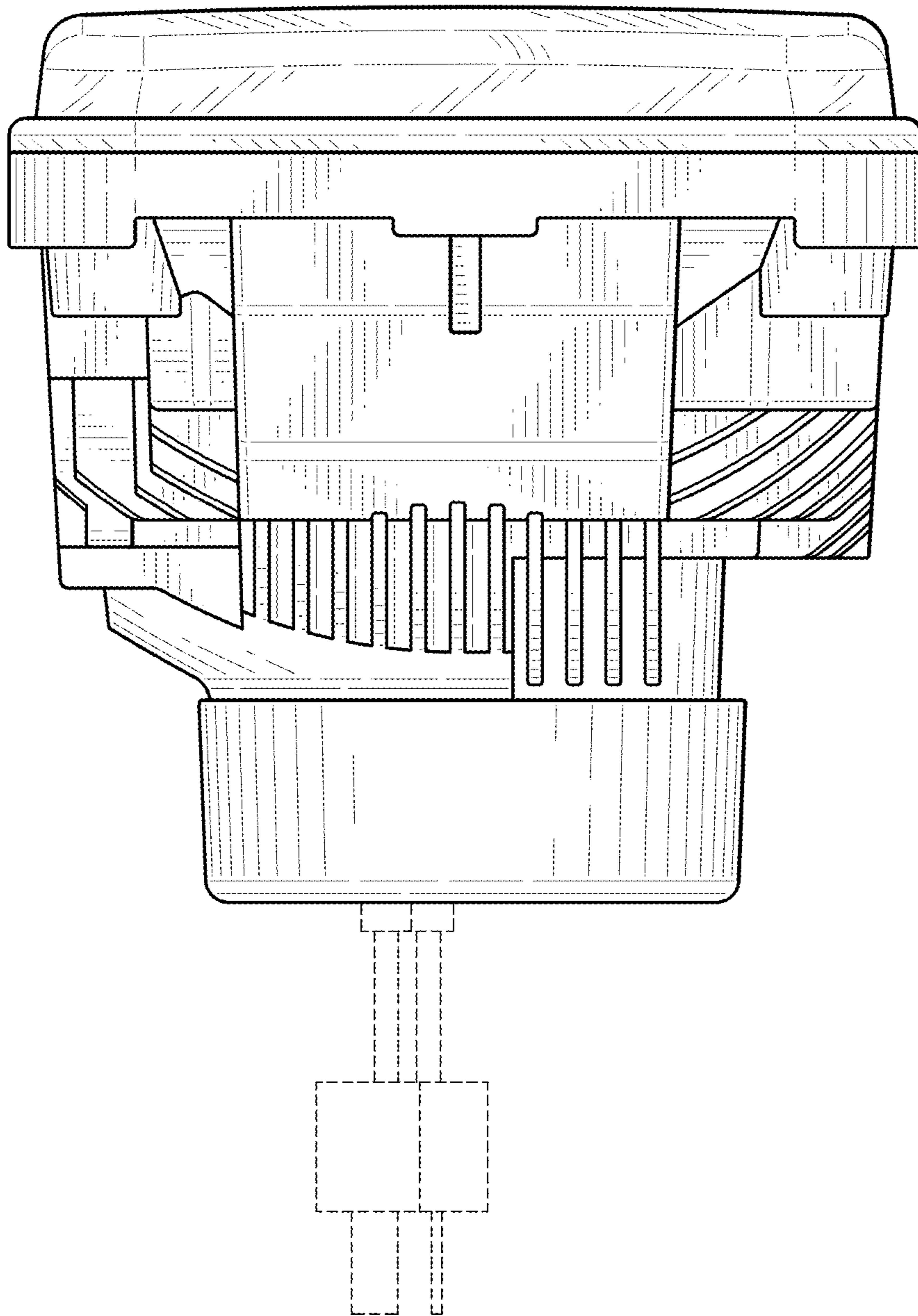


FIG-6

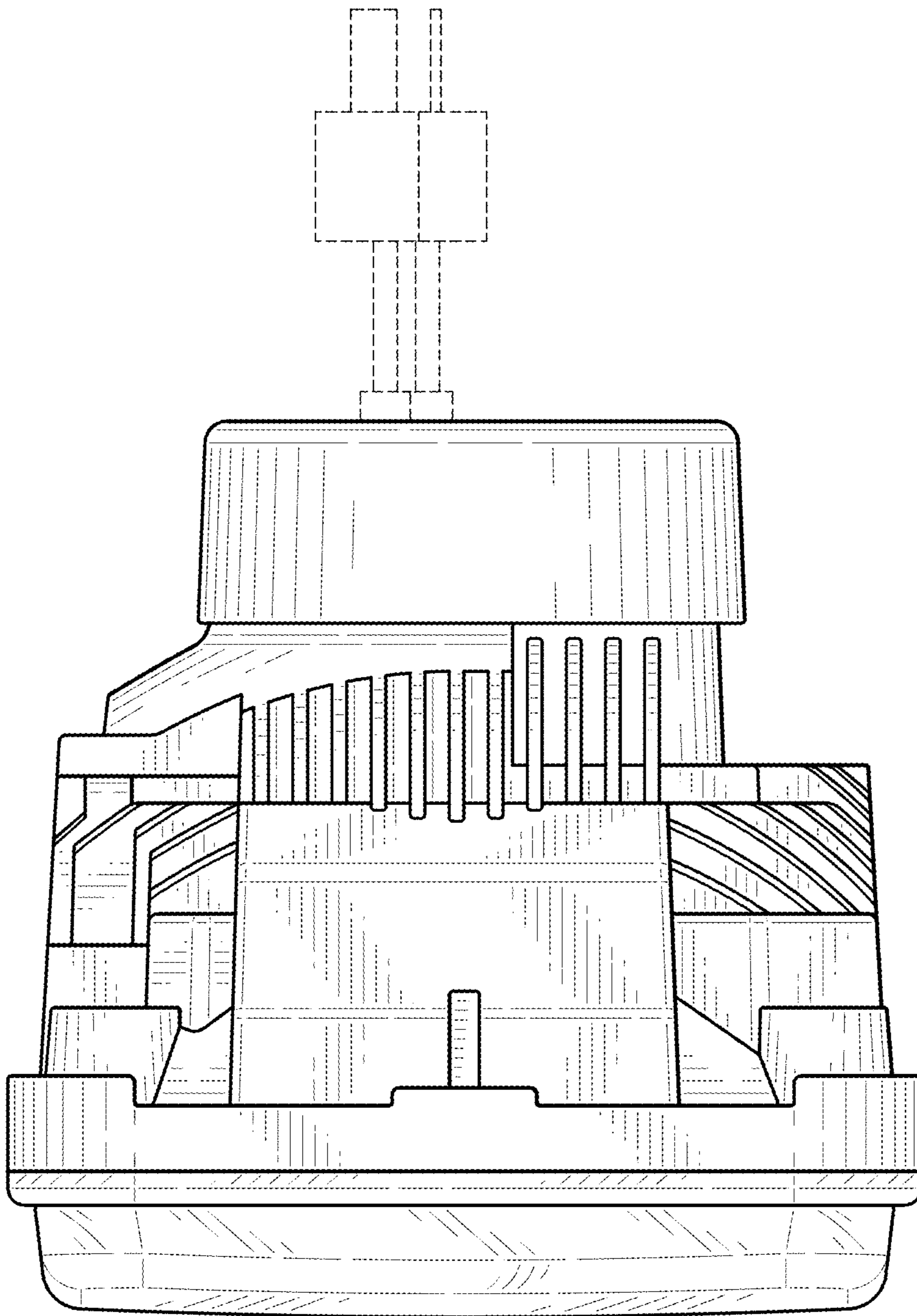


FIG-7