



US00D772446S

(12) **United States Design Patent**  
**Largent**

(10) **Patent No.:** **US D772,446 S**

(45) **Date of Patent:** **\*\* Nov. 22, 2016**

(54) **LIGHT FIXTURE**

(71) Applicant: **JST Performance, LLC**, Gilbert, AZ  
(US)

(72) Inventor: **Christopher P. Largent**, Phoenix, AZ  
(US)

(73) Assignee: **JST Performance, LLC**, Gilbert, AZ  
(US)

(\*\*) Term: **15 Years**

(21) Appl. No.: **29/535,348**

(22) Filed: **Aug. 5, 2015**

(51) **LOC (10) Cl.** ..... **26-05**

(52) **U.S. Cl.**  
USPC ..... **D26/28**

(58) **Field of Classification Search**  
USPC ..... D26/28-36; 362/459-468, 475-478,  
362/485-487  
CPC ..... F21S 48/00; F21S 48/10; F21S 48/115;  
F21S 48/225; F21S 48/1233; F21S 48/1266;  
F21S 48/1388; F21S 48/2268; F21V 21/04  
See application file for complete search history.

(56) **References Cited**

**U.S. PATENT DOCUMENTS**

D510,636 S	*	10/2005	Yamamoto	.....	D26/28
D606,675 S	*	12/2009	Chinaglia	.....	D26/28
D627,496 S	*	11/2010	Feinbloom	.....	D26/28
D638,963 S	*	5/2011	Huang	.....	D26/28
D718,478 S	*	11/2014	Adams	.....	D26/28
D735,909 S	*	8/2015	Ko	.....	D26/28
D736,430 S	*	8/2015	Ko	.....	D26/28
D739,072 S	*	9/2015	Adams	.....	D26/118
D743,593 S	*	11/2015	Yang	.....	D26/28
D761,482 S	*	7/2016	Largent	.....	D26/118

2004/0257808	A1*	12/2004	Bjornson	.....	A61N 5/062 362/249.01
2010/0014289	A1*	1/2010	Thomas	.....	F21V 15/01 362/235
2014/0146544	A1*	5/2014	Gebhard	.....	F21V 5/04 362/311.02

\* cited by examiner

*Primary Examiner* — Angela J Lee

(57) **CLAIM**

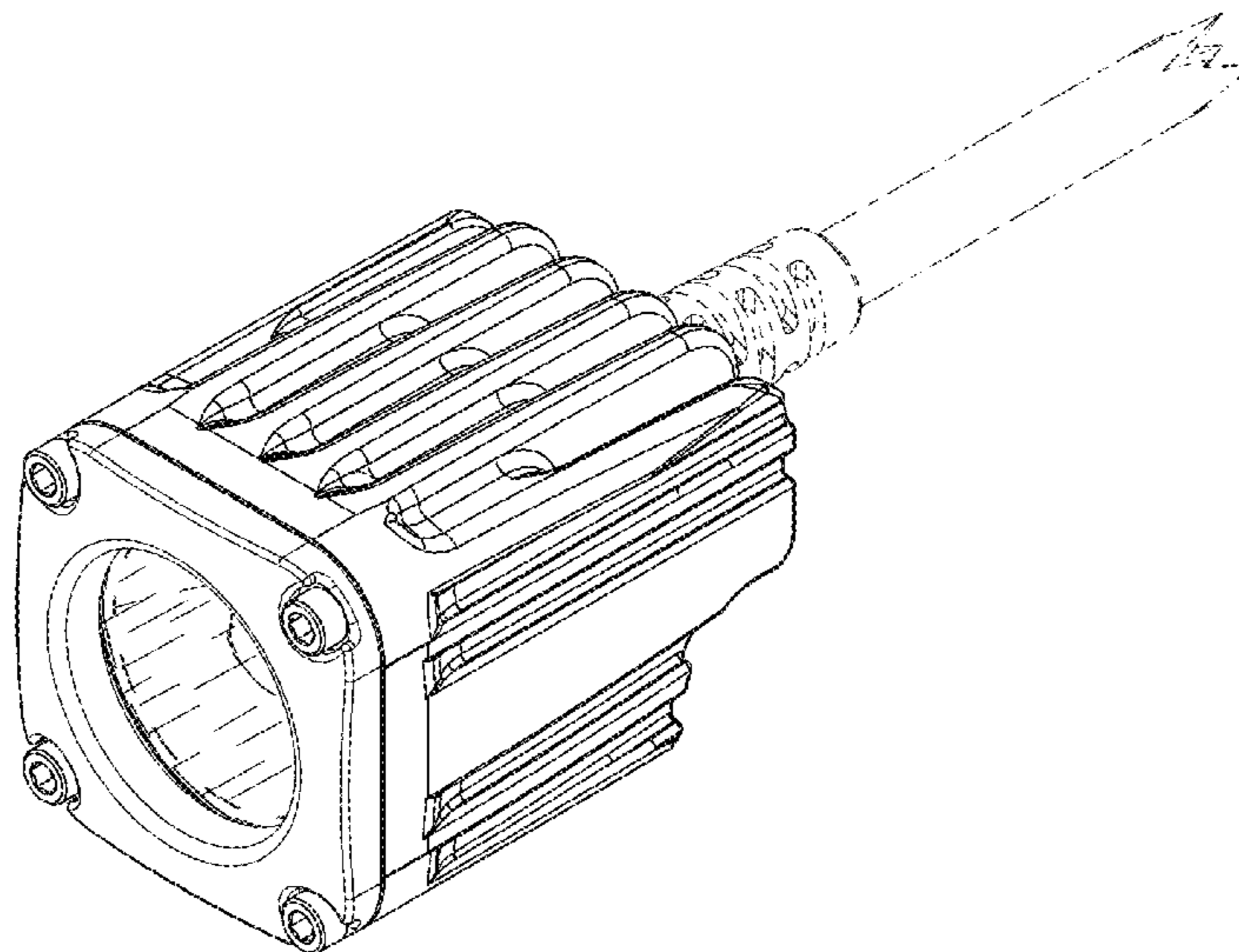
The ornamental design for a light fixture, as shown and described.

**DESCRIPTION**

FIG. 1 is a front, right, top perspective view of a light fixture showing our new design;  
FIG. 2 is a front, left, top perspective view thereof;  
FIG. 3 is a second embodiment of FIG. 1, the only difference being the configuration of the lens;  
FIG. 4 is a second embodiment of FIG. 2, the only difference being the configuration of the lens;  
FIG. 5 is a front, right, bottom perspective view thereof;  
FIG. 6 is a front, left, bottom perspective view thereof;  
FIG. 7 is a back, right, top perspective view thereof;  
FIG. 8 is a back, left, top perspective view thereof;  
FIG. 9 is a back, left, bottom perspective view thereof;  
FIG. 10 is a back, right, bottom perspective view thereof;  
FIG. 11 is a front side view thereof;  
FIG. 12 is a back side view thereof;  
FIG. 13 is a left side view thereof;  
FIG. 14 is a right side view thereof;  
FIG. 15 is a top view thereof; and,  
FIG. 16 is a bottom view thereof.

The broken lines showing environment in the drawings are for illustrative purposes only and form no part of the claimed design.

**1 Claim, 11 Drawing Sheets**



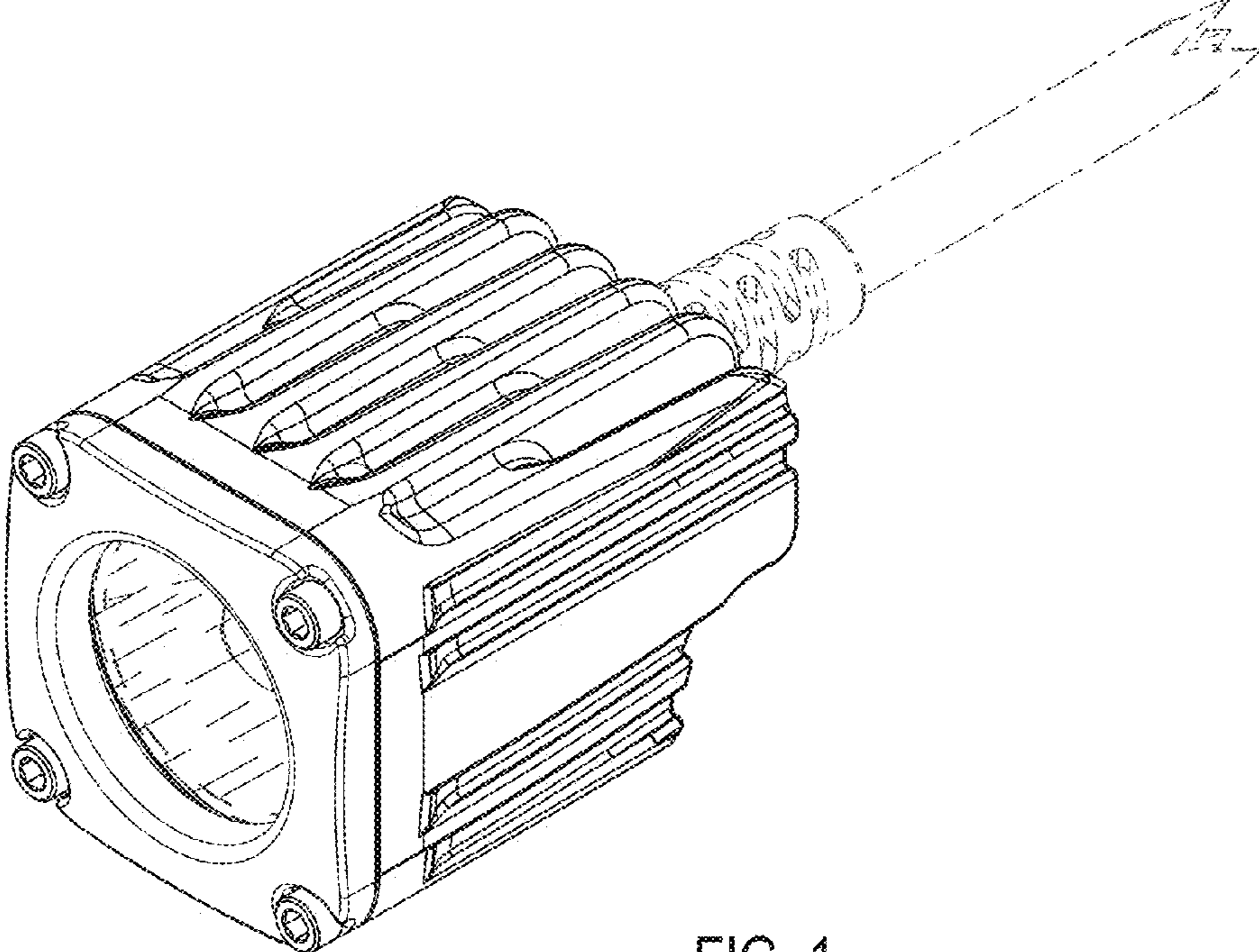


FIG. 1

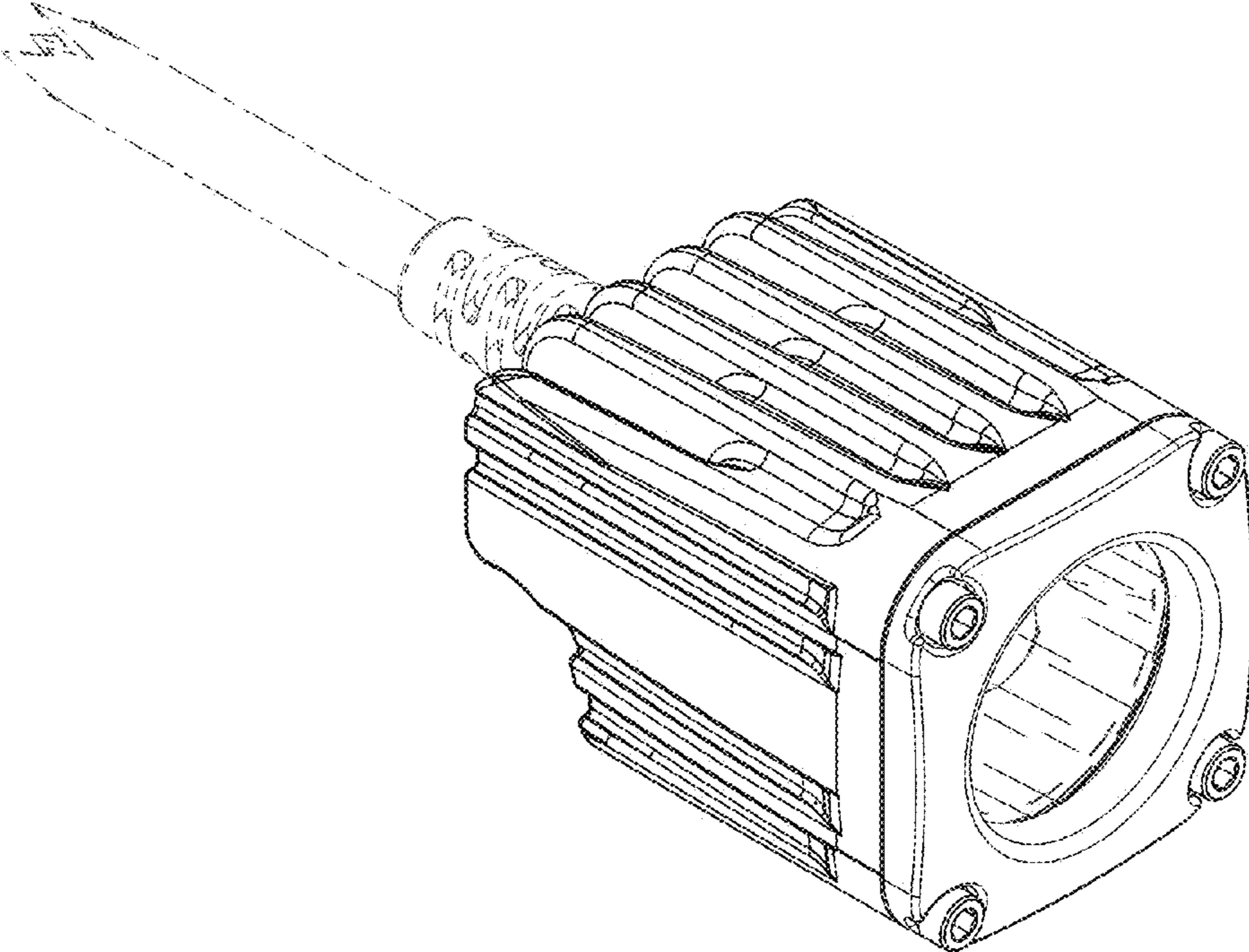


FIG. 2

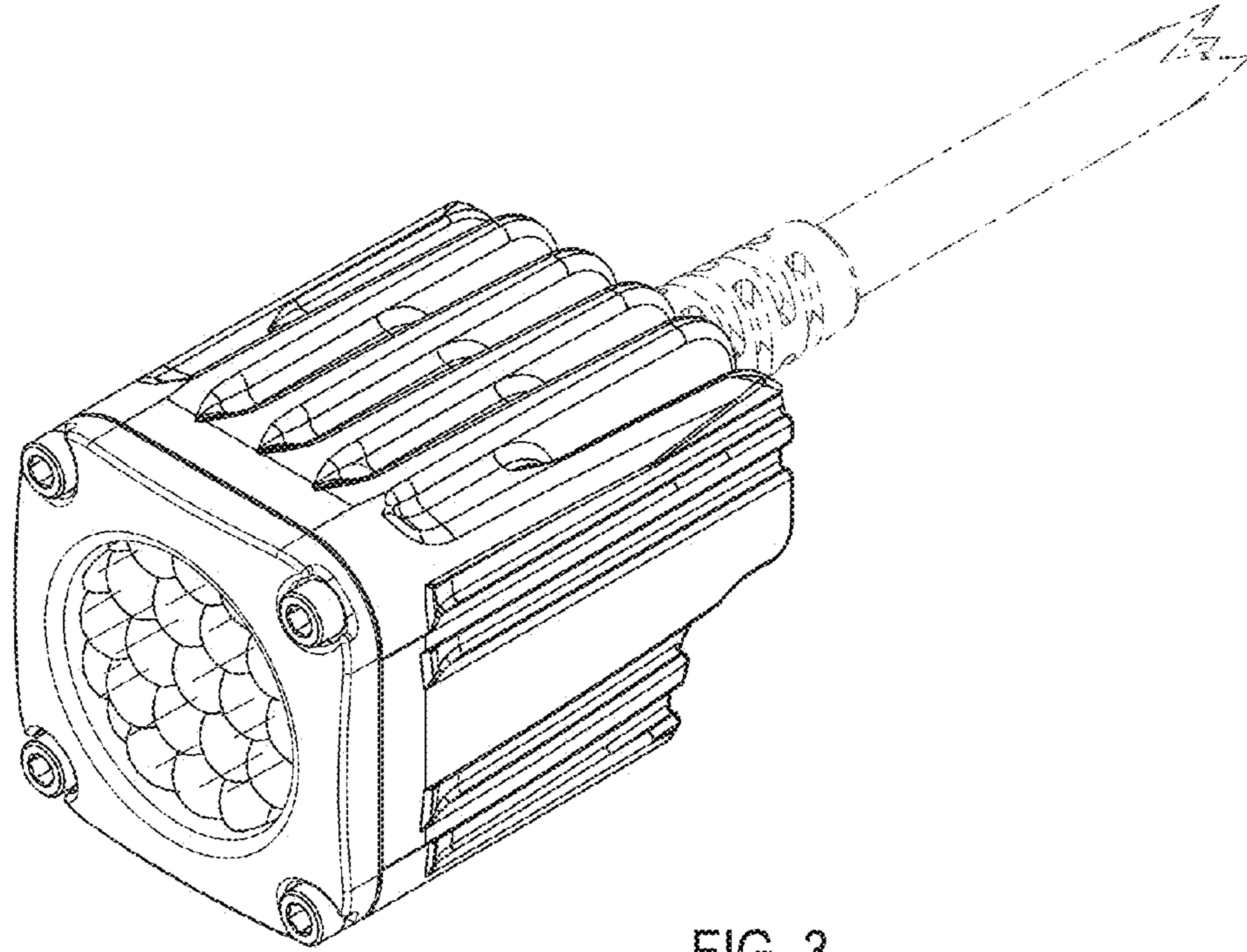


FIG. 3

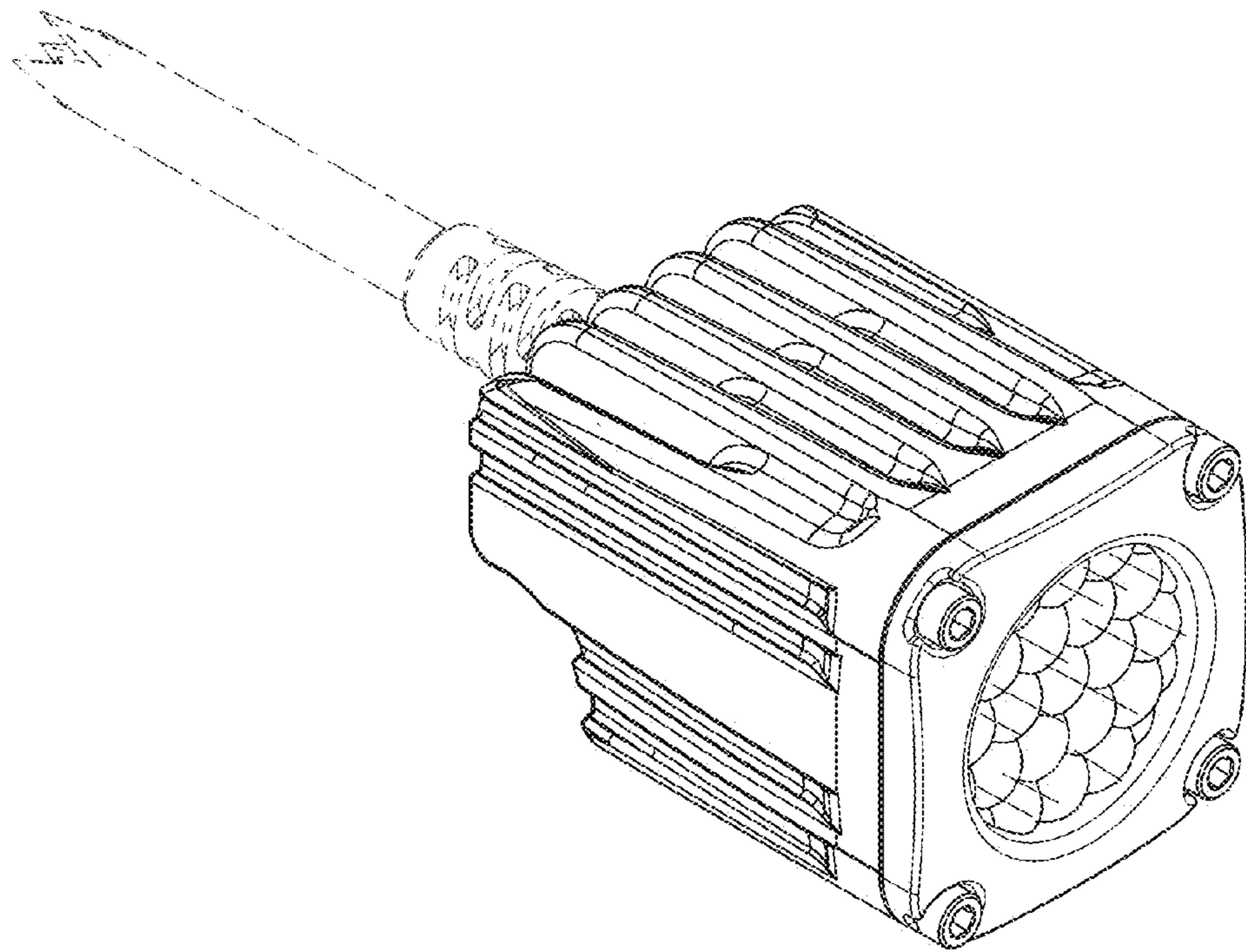


FIG. 4

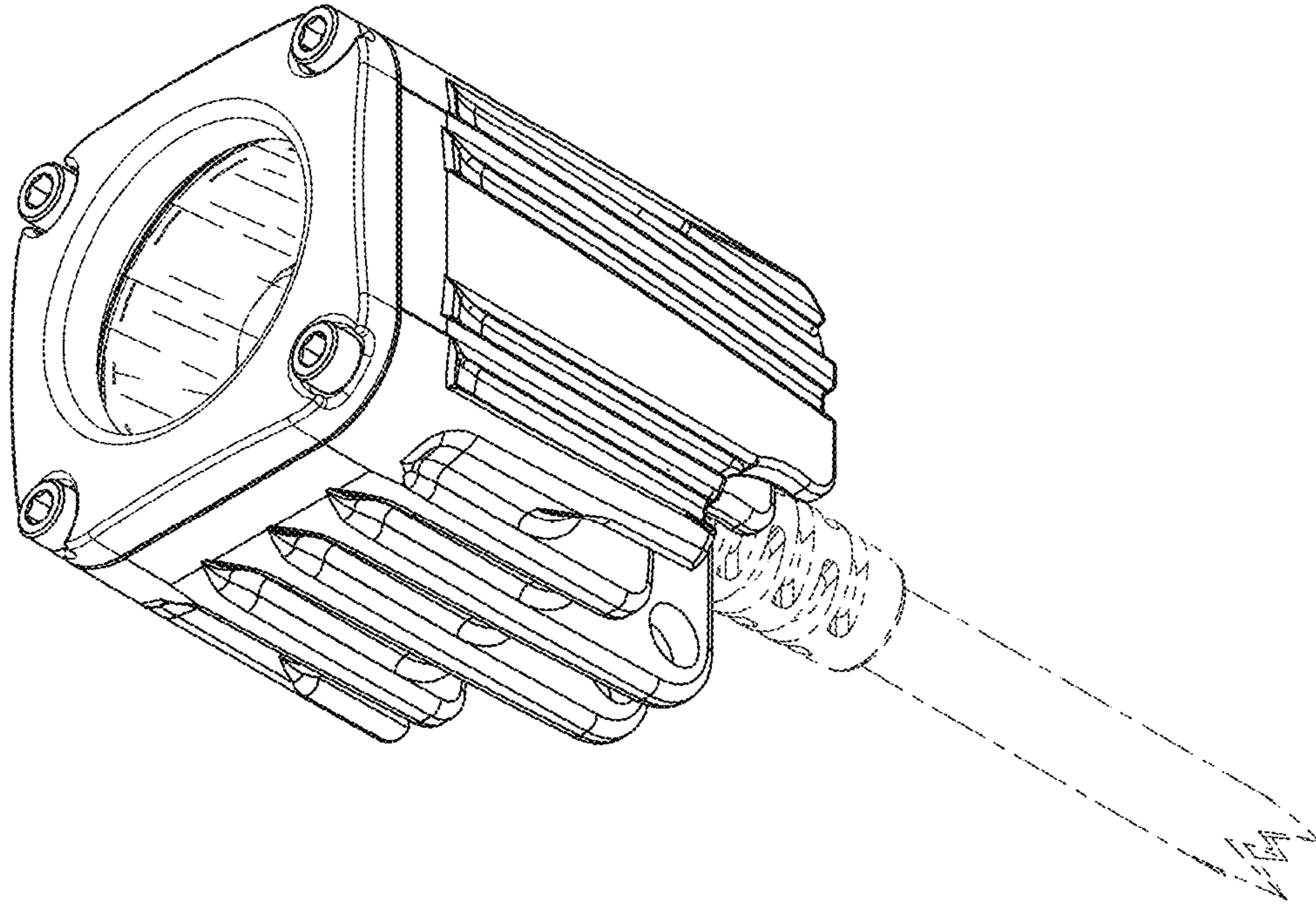


FIG. 5

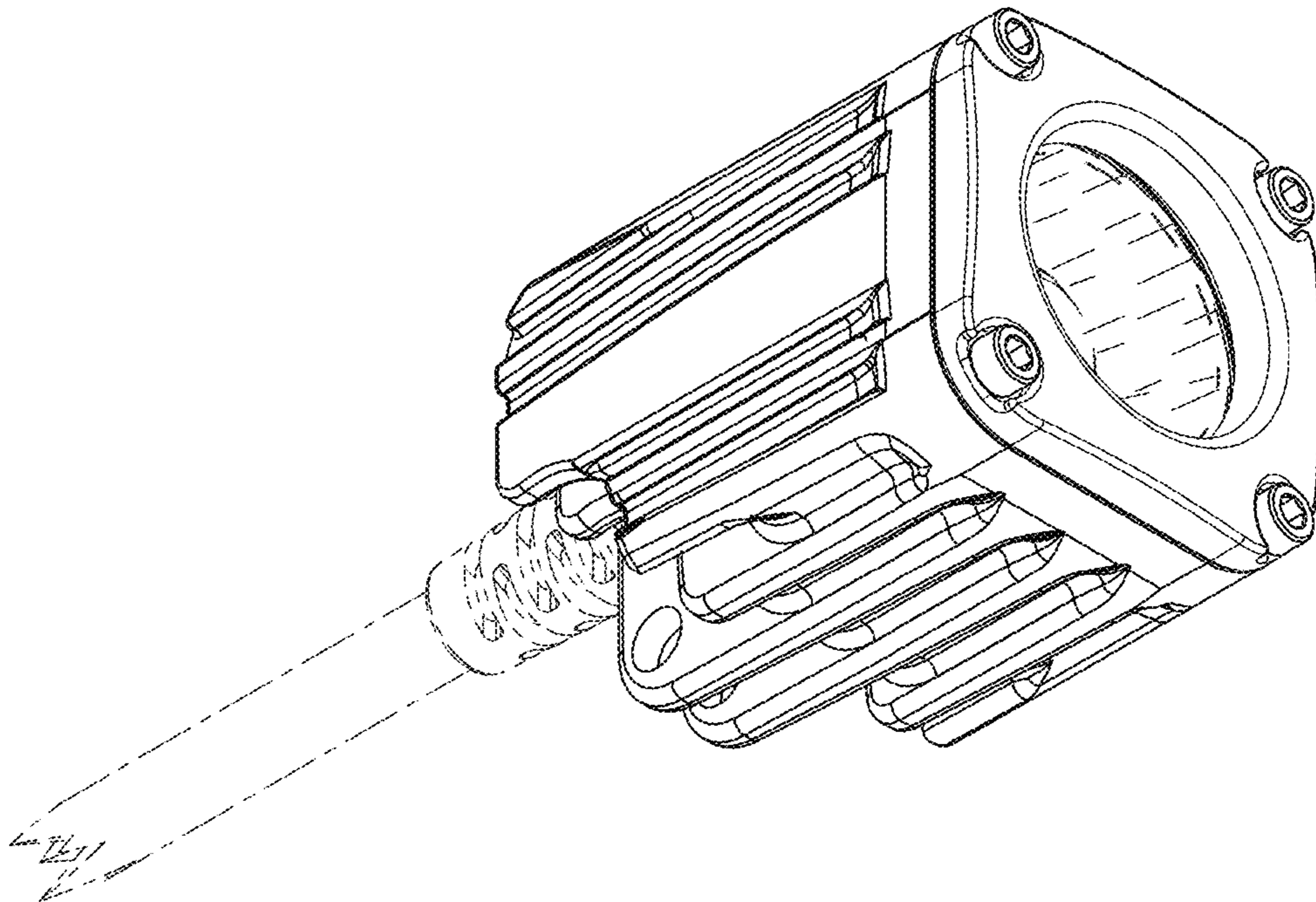


FIG. 6

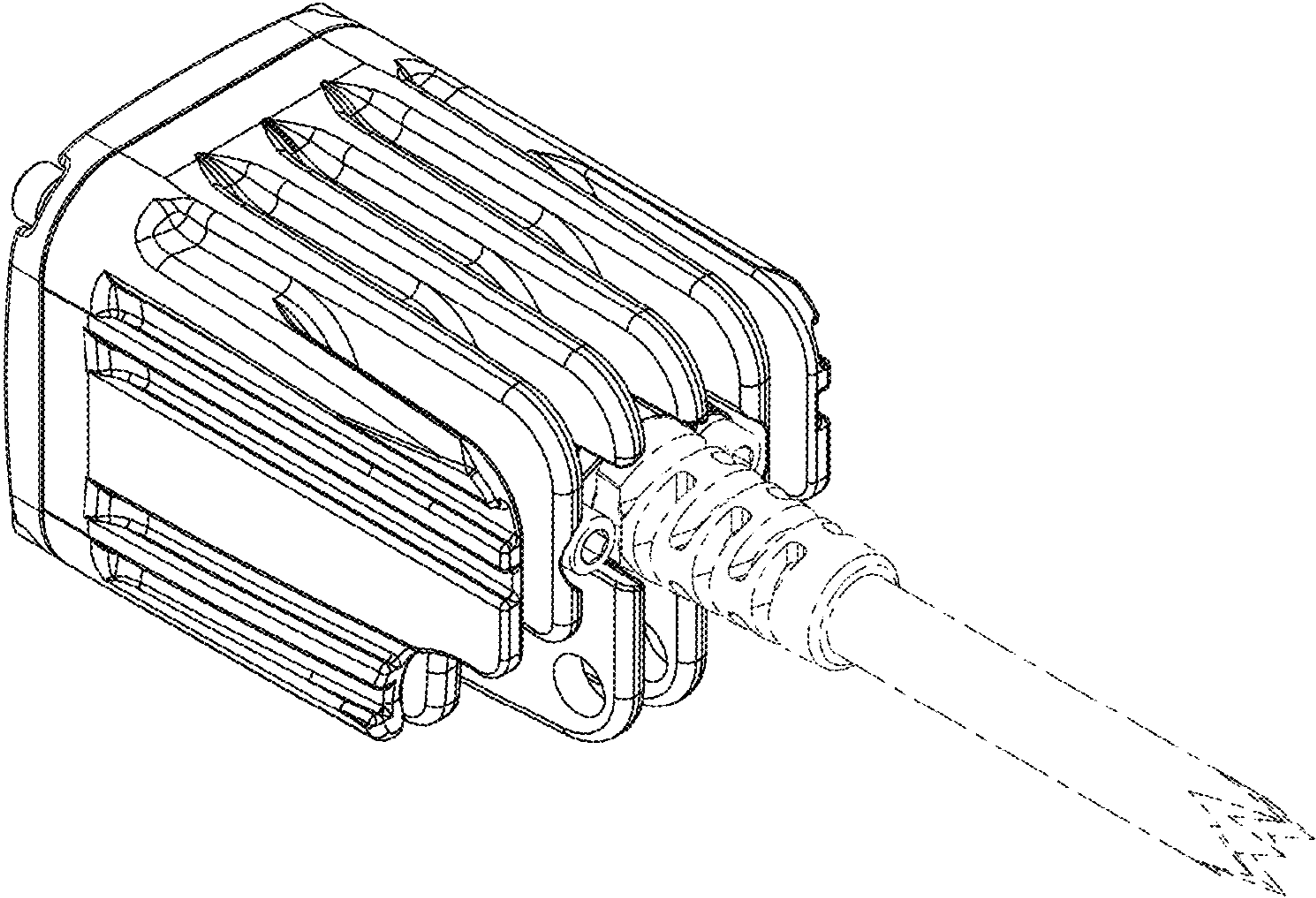


FIG. 7

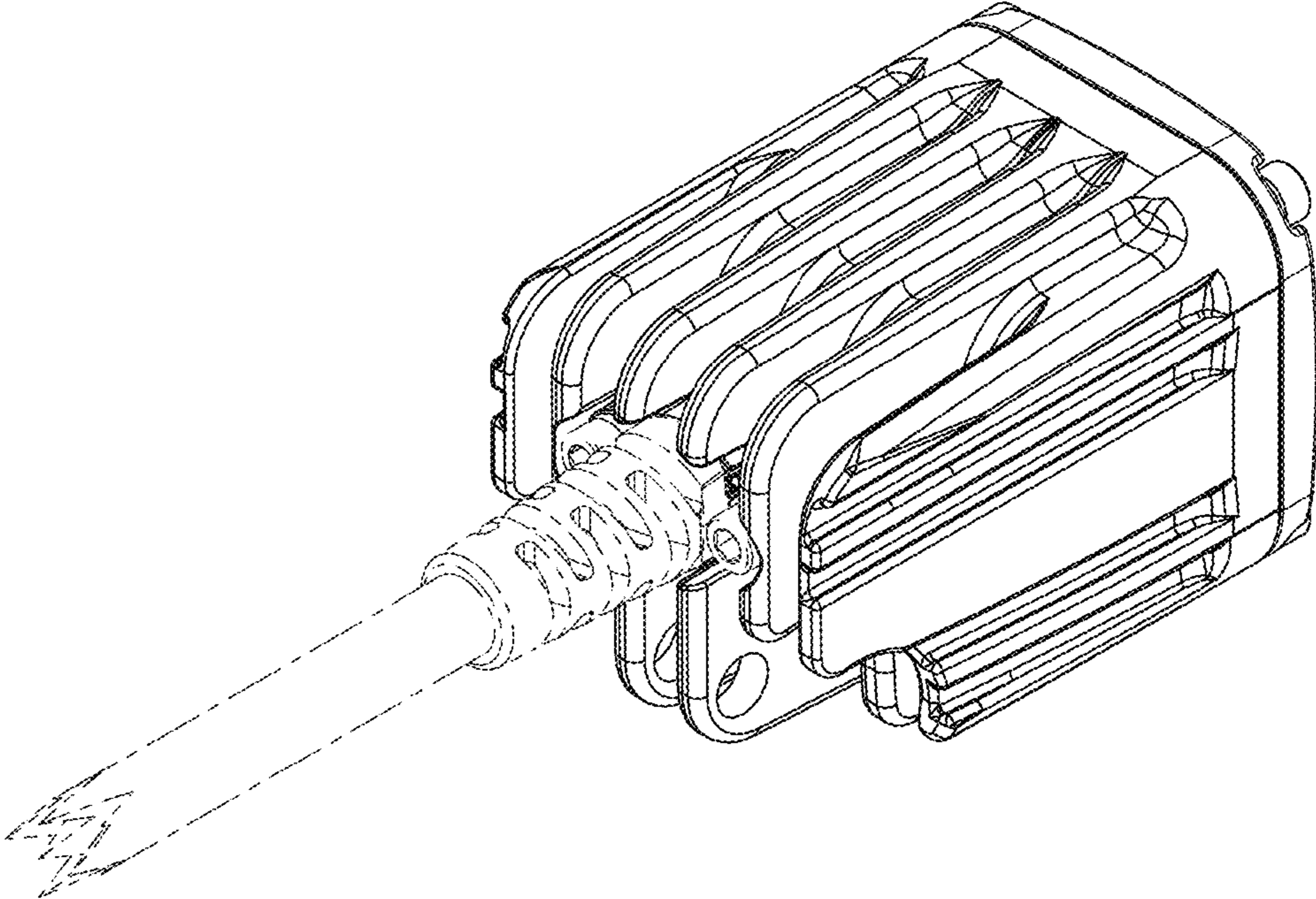


FIG. 8

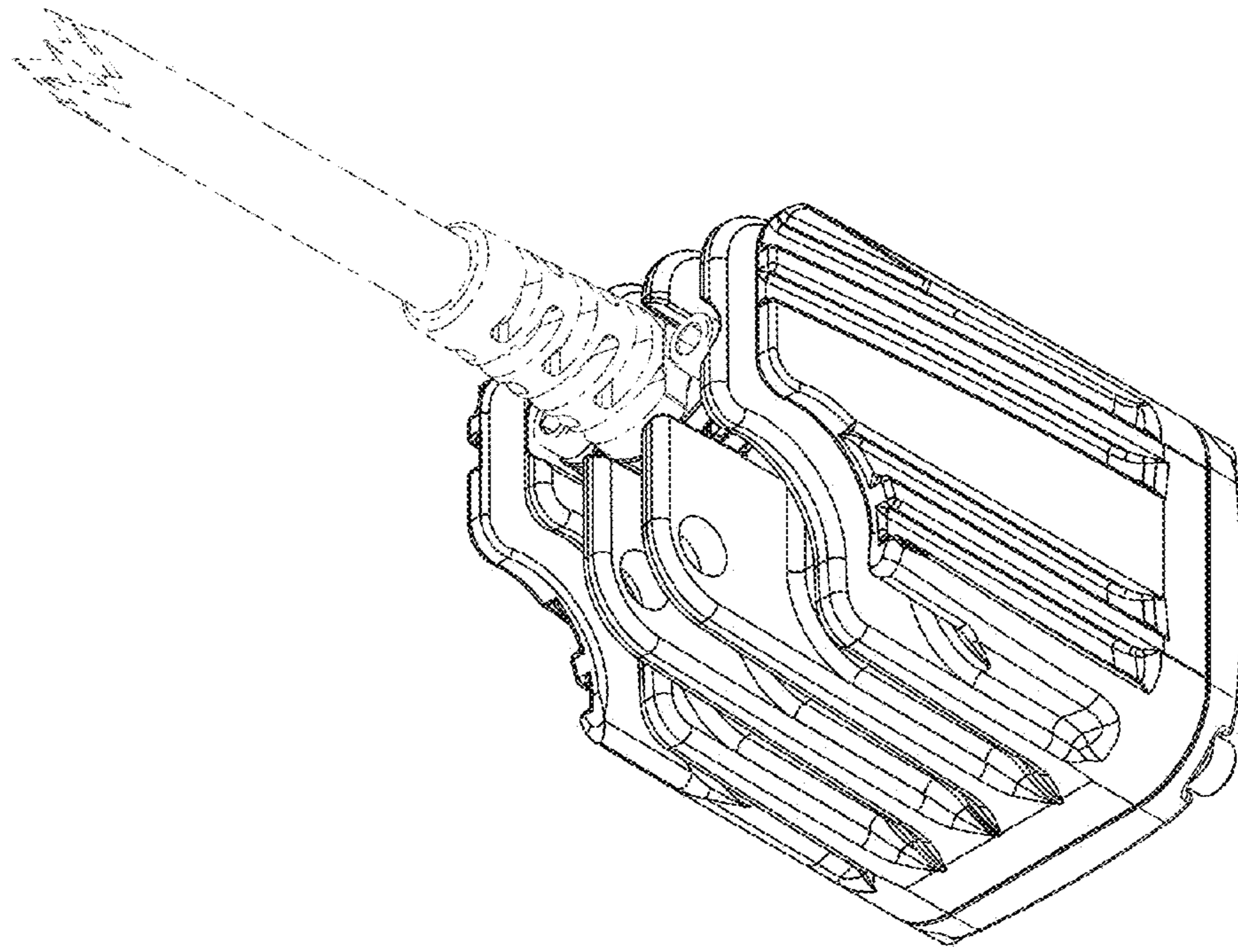


FIG. 9

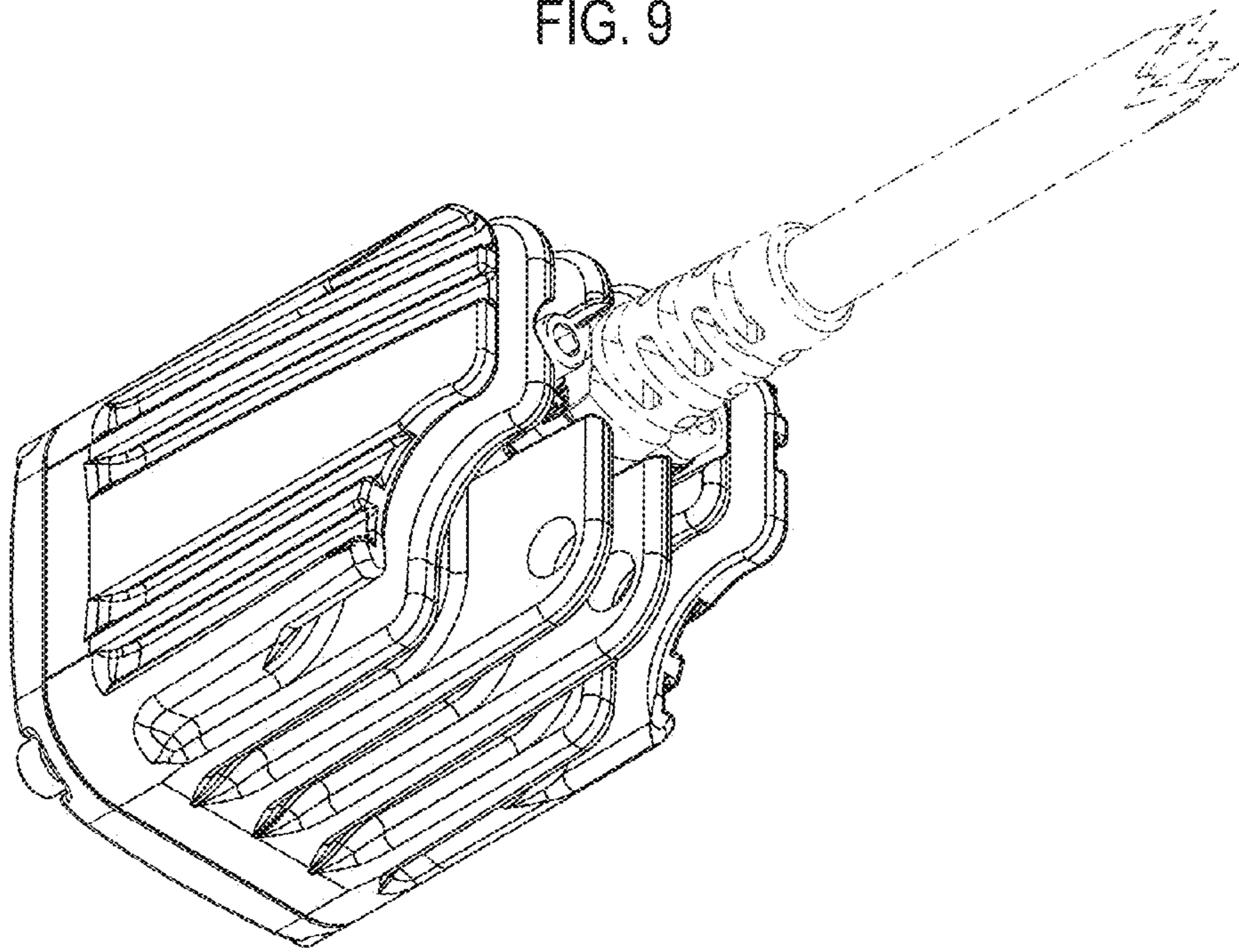


FIG. 10

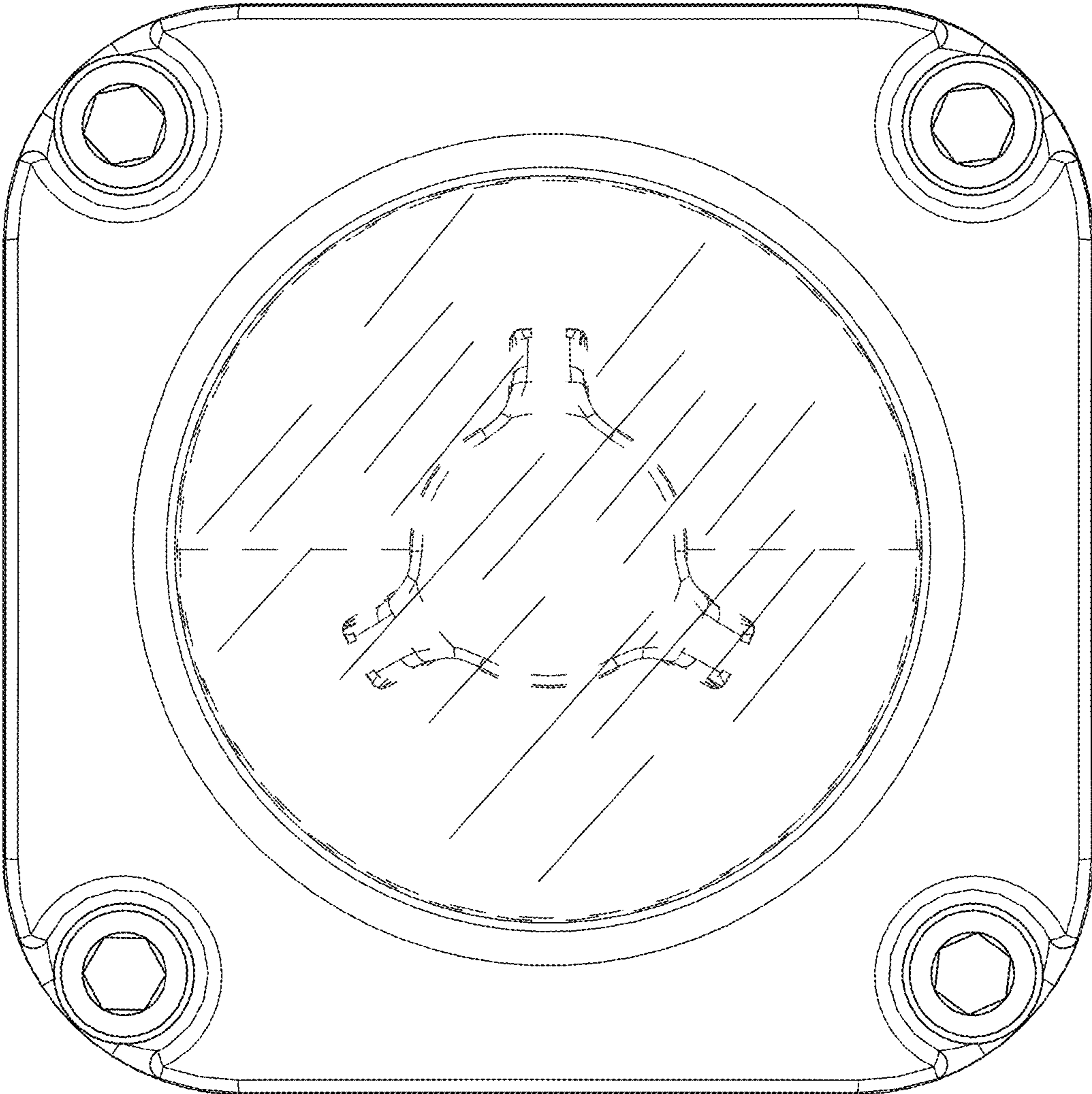


FIG. 11

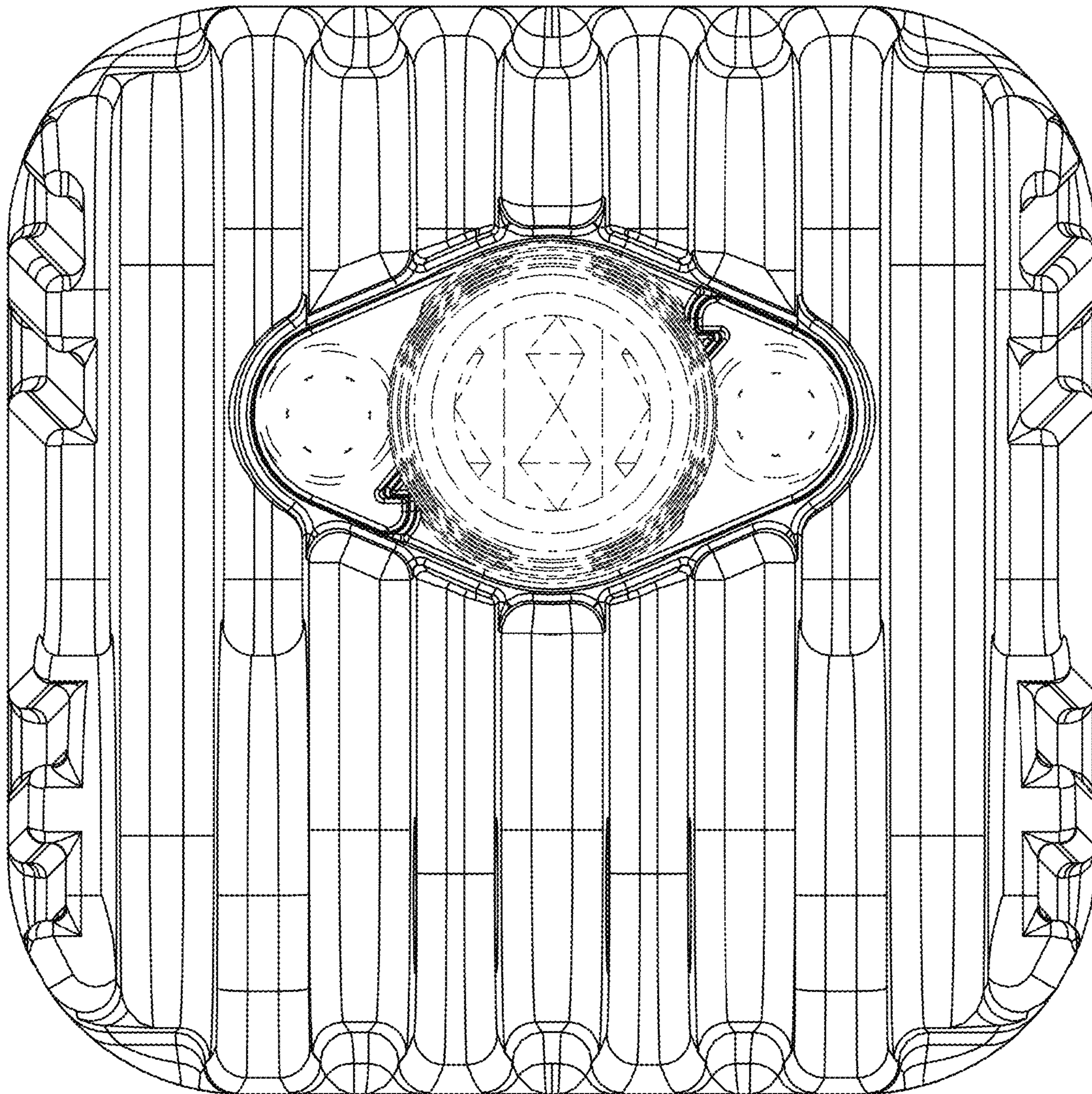


FIG. 12



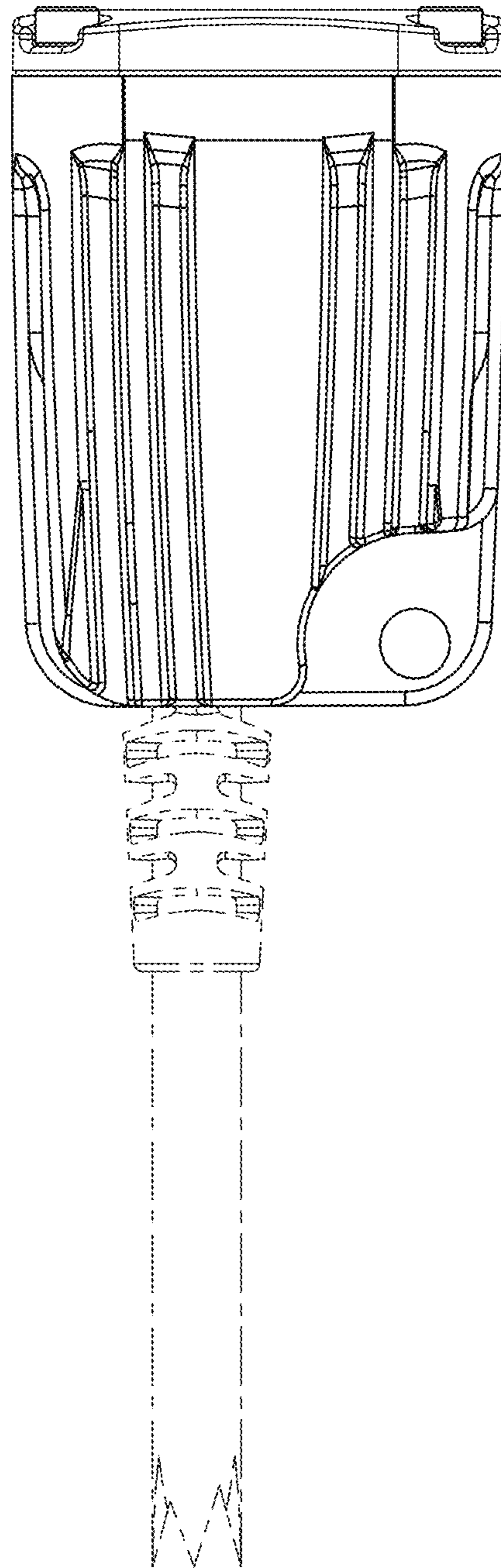


FIG. 13

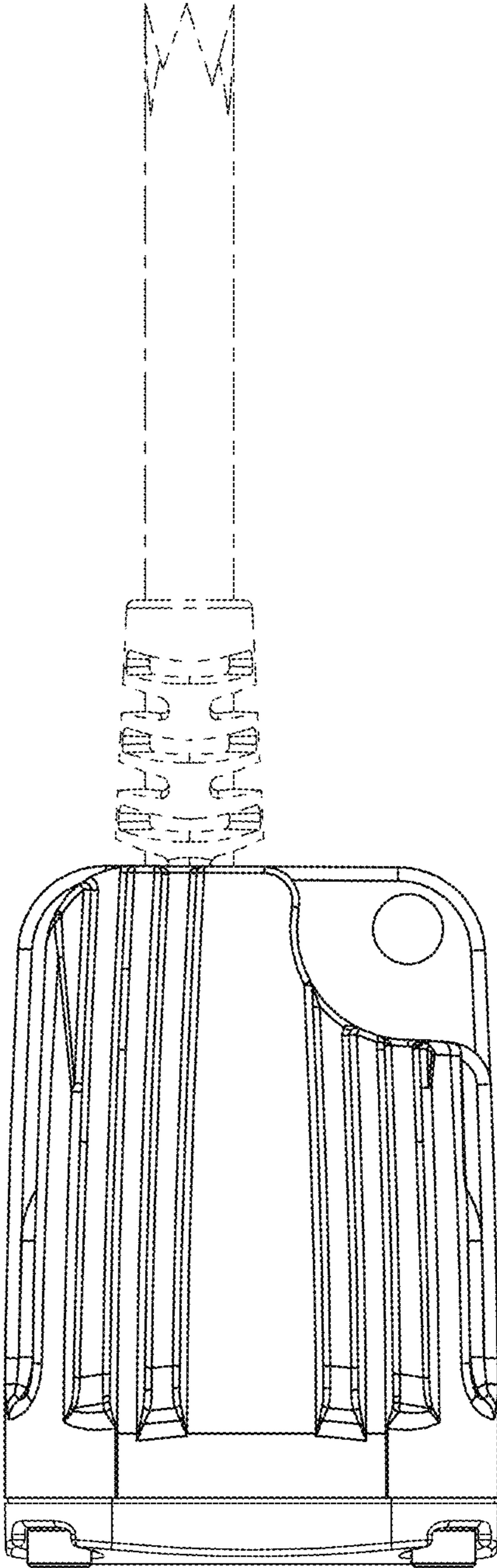


FIG. 14

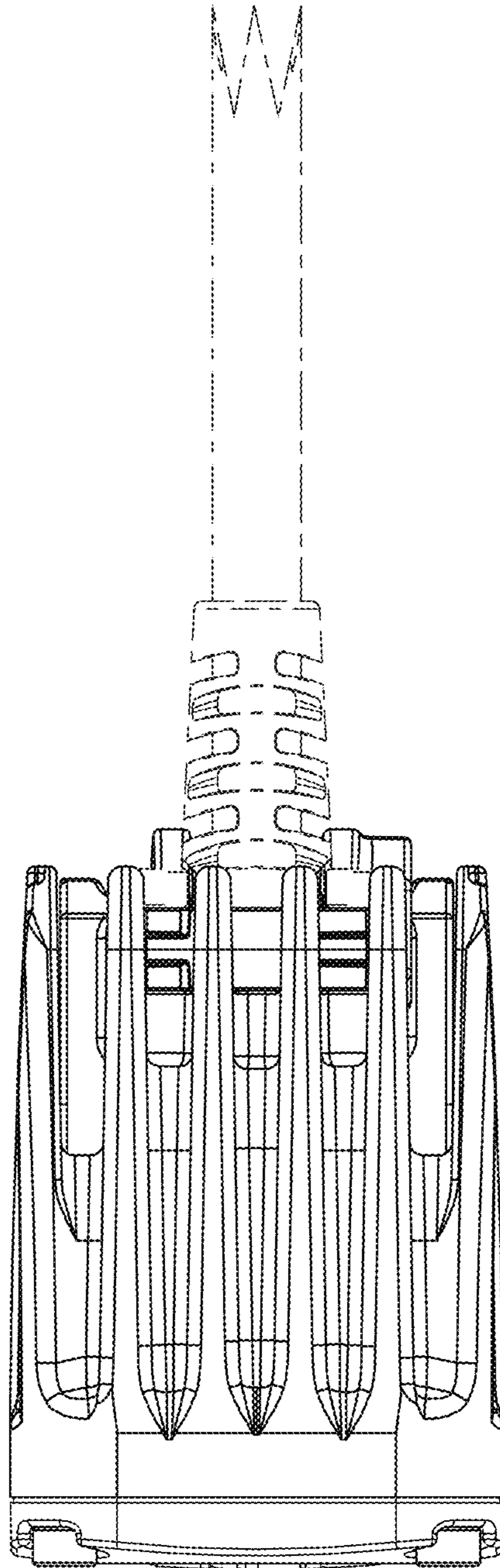


FIG. 15

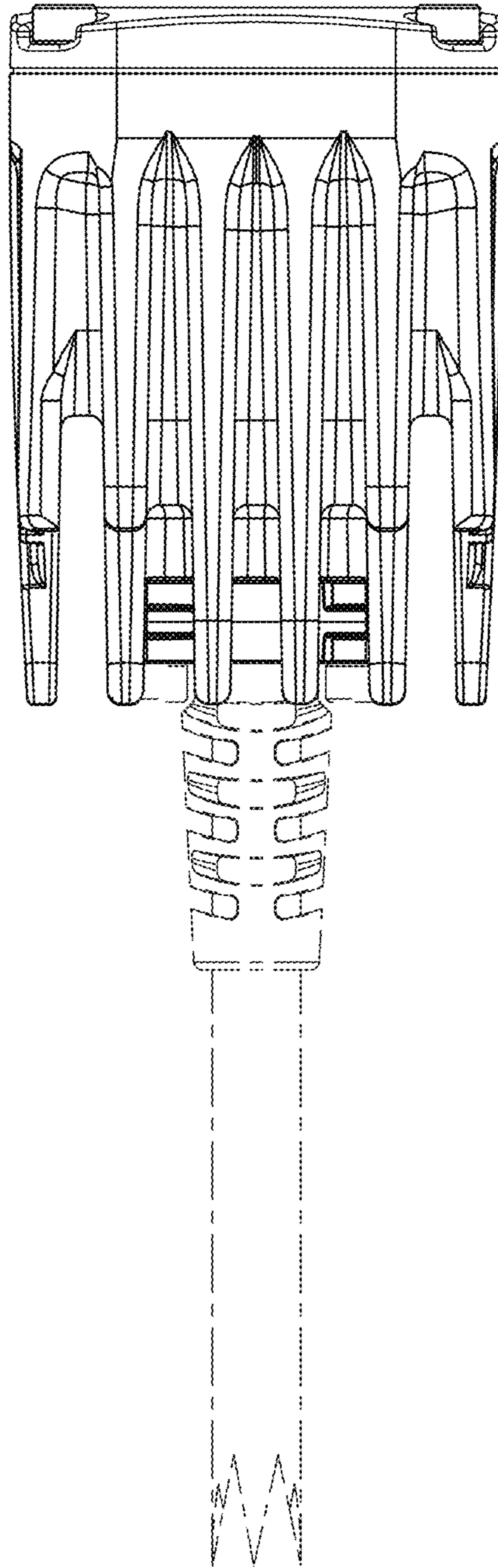


FIG. 16